



US00D593673S

(12) **United States Design Patent**  
**Kern**

(10) **Patent No.:** **US D593,673 S**  
(45) **Date of Patent:** **\*\* Jun. 2, 2009**

(54) **AIR LOUVER**

(75) Inventor: **Ralf Kern**, Walldurn-Rippberg (DE)

(73) Assignee: **Firma Aurora Konrad G. Schulz GmbH & Co. KG** (DE)

(\*\*) Term: **14 Years**

(21) Appl. No.: **29/269,255**

(22) Filed: **Nov. 27, 2006**

(51) **LOC (9) Cl.** ..... **23-04**

(52) **U.S. Cl.** ..... **D23/388**

(58) **Field of Classification Search** ..... D23/388-393,  
D23/342, 366, 356, 385, 370, 371, 351, 354,  
D23/386; 454/309, 275-277, 284, 287-290;  
D26/118, 72, 152; D14/230

See application file for complete search history.

(56) **References Cited**

**U.S. PATENT DOCUMENTS**

D268,952 S *	5/1983	Anderson	.....	D23/389
D307,632 S *	5/1990	Schulz	.....	D23/392
D336,761 S *	6/1993	Chan	.....	D23/356
5,792,230 A *	8/1998	Moore et al.	.....	454/290
D413,665 S *	9/1999	Hudson	.....	D23/393
D444,872 S *	7/2001	Webb	.....	D23/393
D449,880 S *	10/2001	Webb	.....	D23/393
D452,305 S *	12/2001	Webb	.....	D23/393
D468,417 S *	1/2003	Wolf et al.	.....	D23/393

D475,131 S *	5/2003	Pilger	.....	D23/393
6,652,375 B2 *	11/2003	Donnelly	.....	454/330
D518,566 S *	4/2006	Bratton et al.	.....	D23/388
2006/0199525 A1 *	9/2006	Marcoux et al.	.....	454/277

\* cited by examiner

*Primary Examiner*—T. Chase Nelson

*Assistant Examiner*—David G Muller

(74) *Attorney, Agent, or Firm*—Robert W. Becker; Robert W. Becker & Assoc.

(57) **CLAIM**

The ornamental design for an air louver, as shown and described.

**DESCRIPTION**

FIG. 1 is a perspective view from the front, showing one embodiment of my air louver;

FIG. 2 is a perspective view thereof from the rear;

FIG. 3 is a top view thereof;

FIG. 4 is a bottom view thereof;

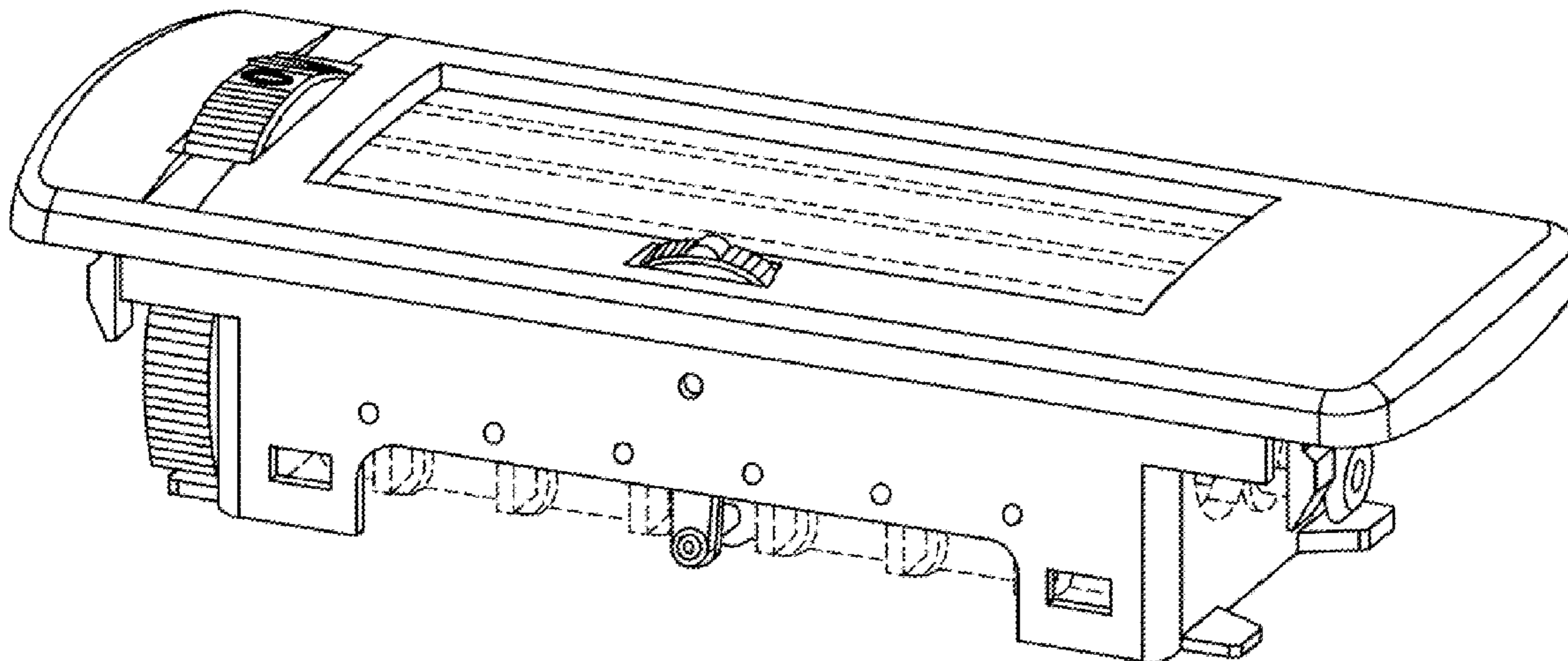
FIG. 5 is a front view thereof;

FIG. 6 is a left end view thereof; and,

FIG. 7 is a right end view thereof.

The broken lines depict portions of the air louver that form no part of the claimed design.

**1 Claim, 7 Drawing Sheets**



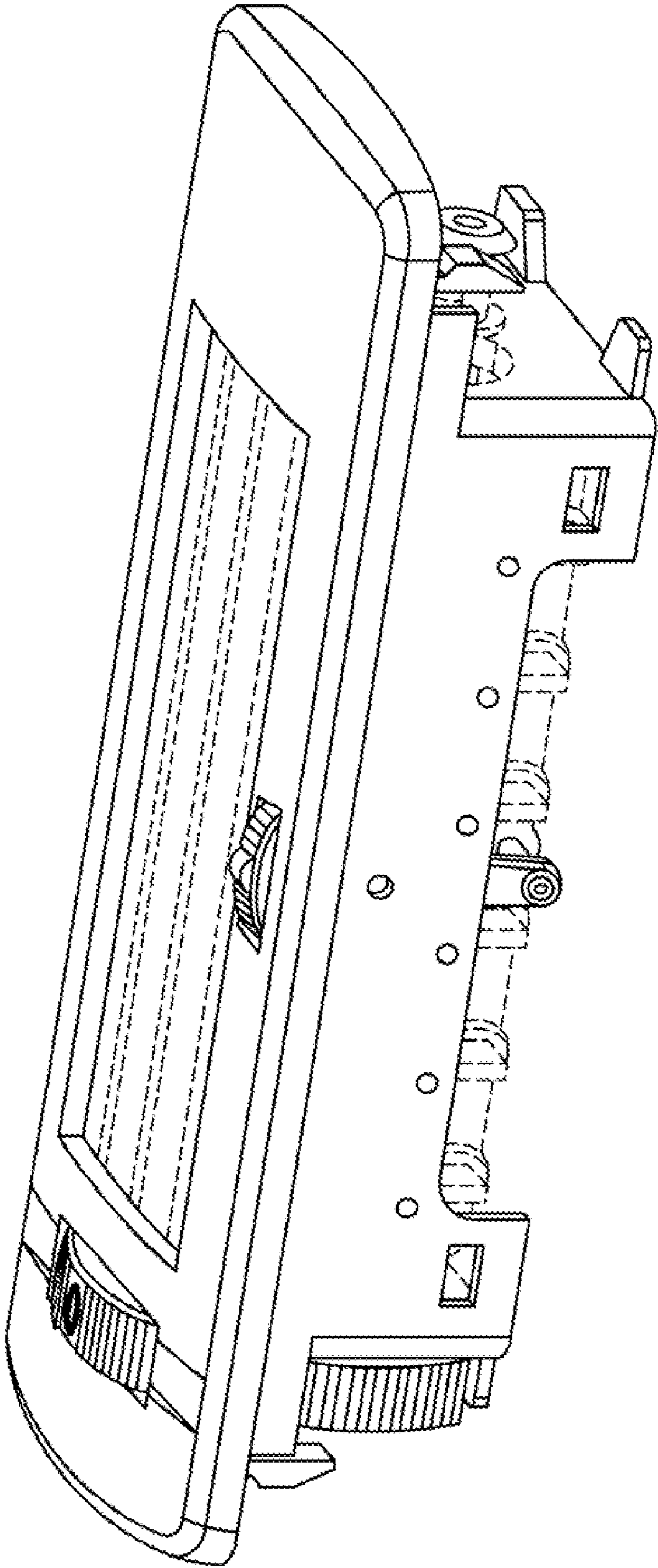


FIG.1

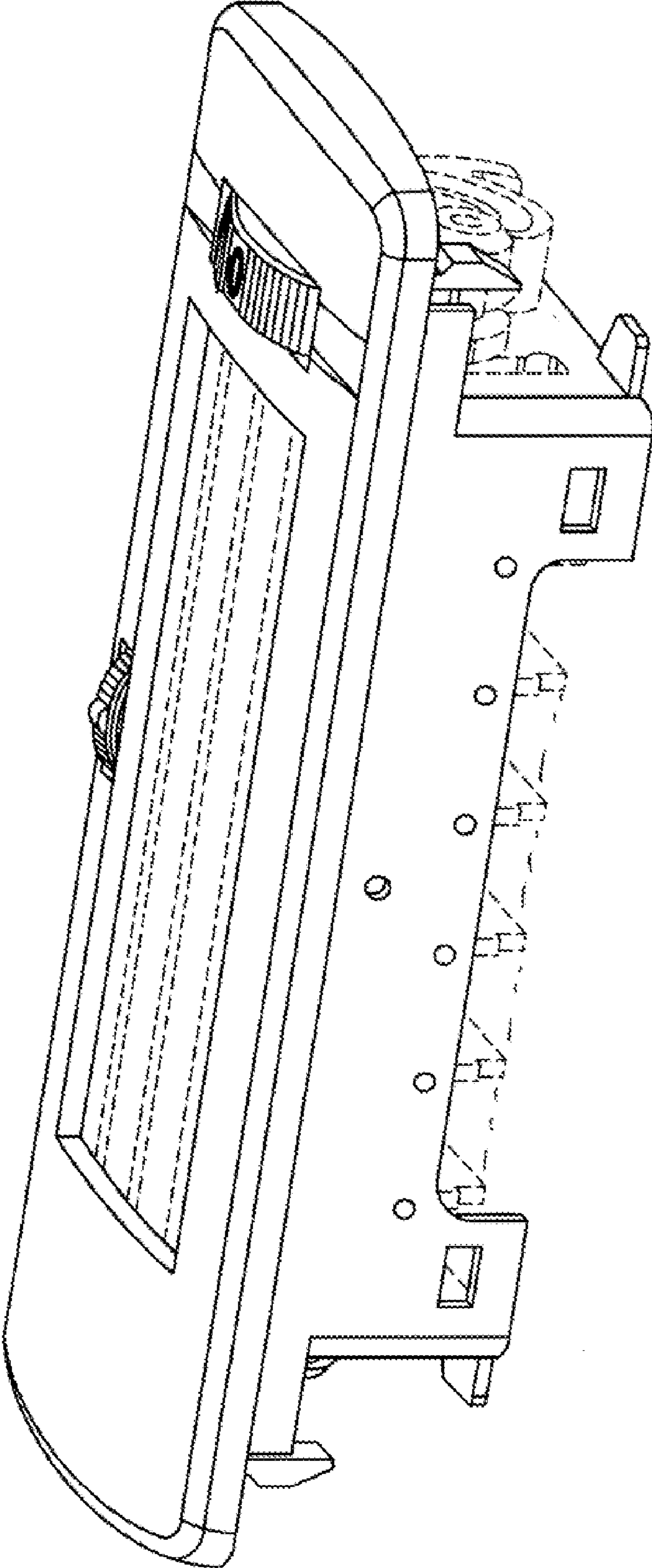


FIG.2

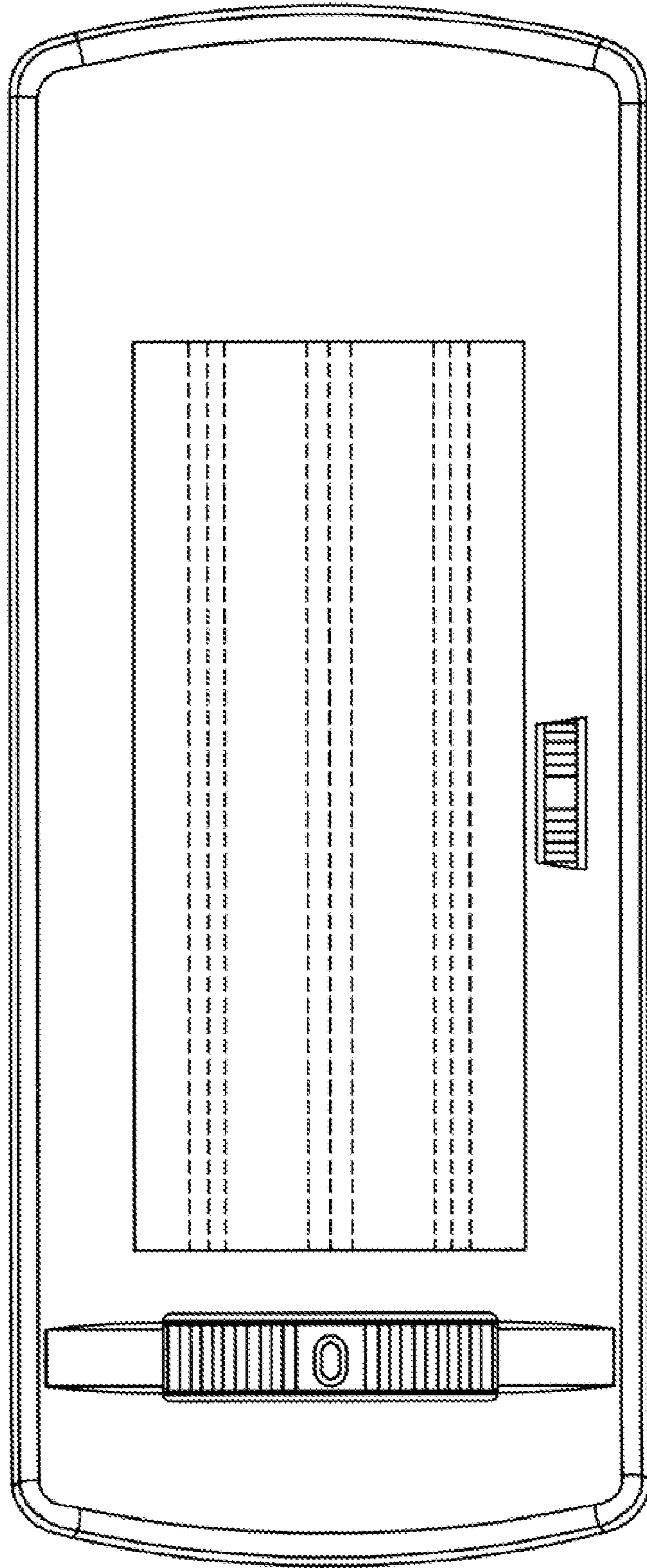


FIG.3

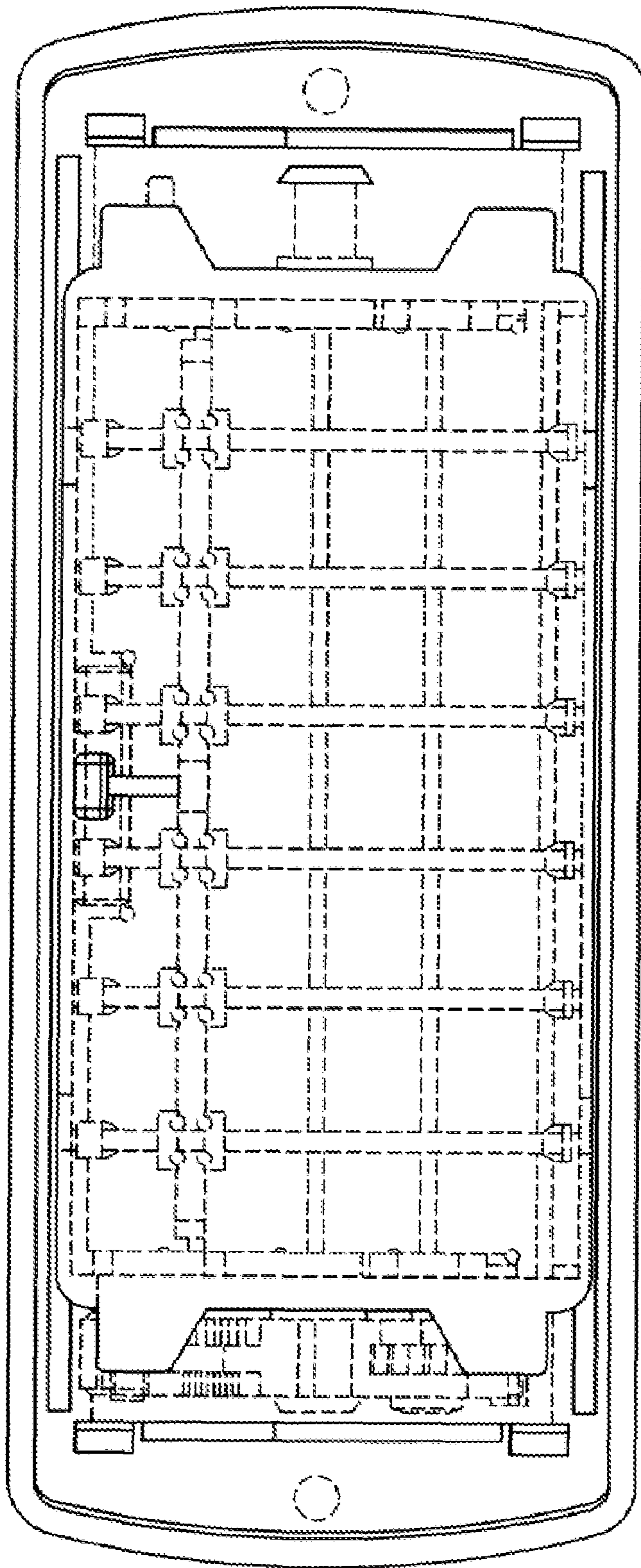


FIG.4

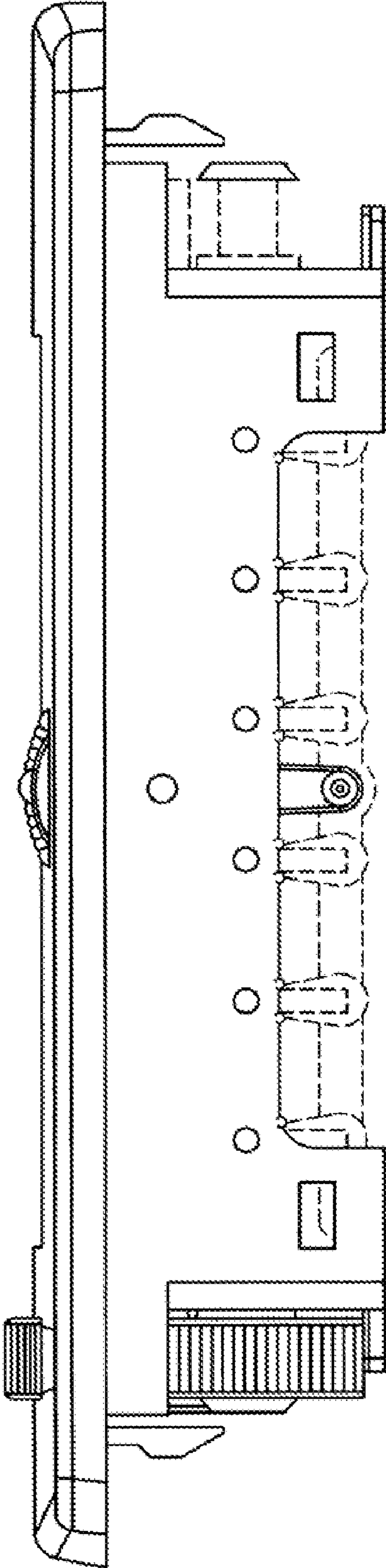


FIG.5

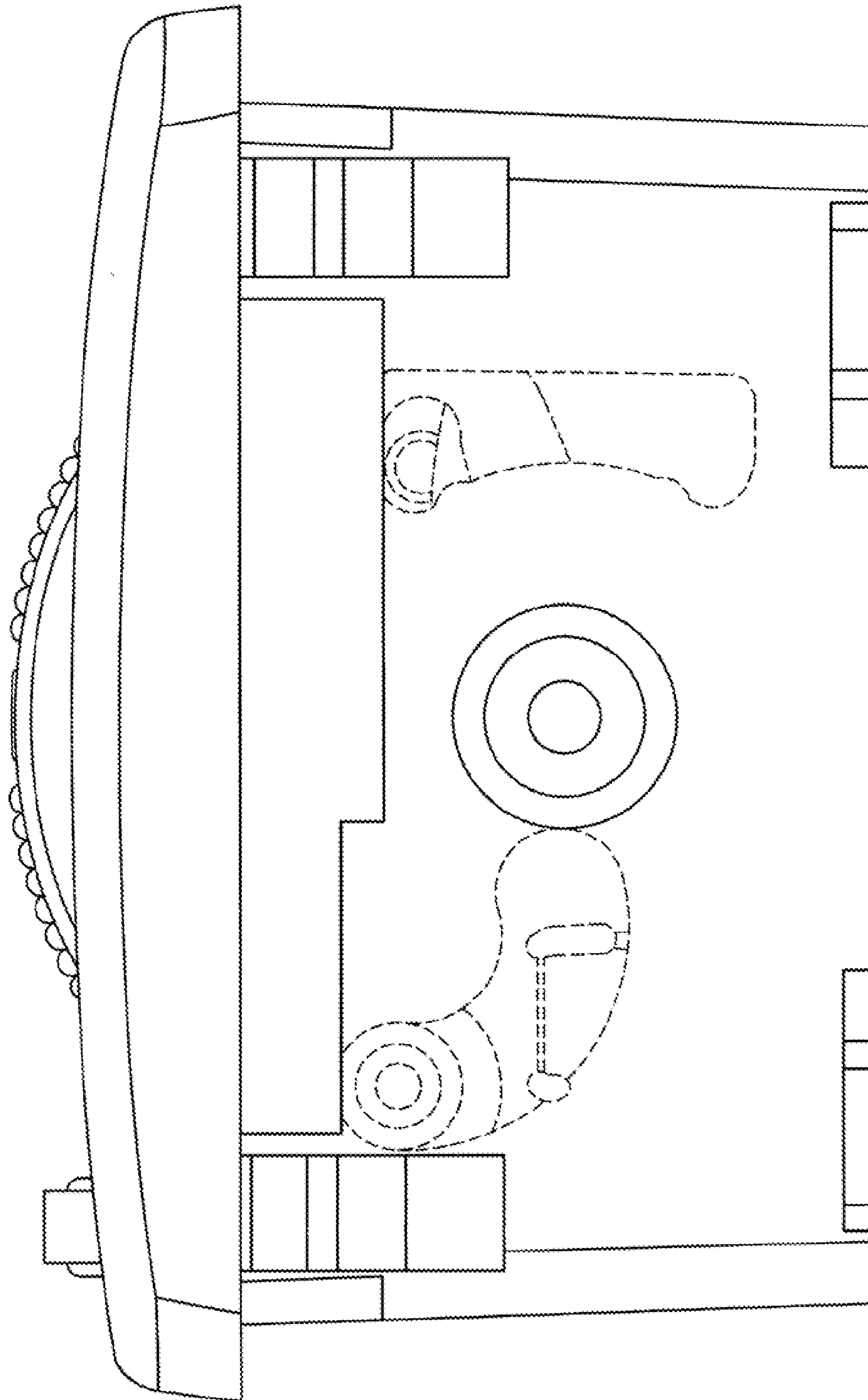


FIG.6

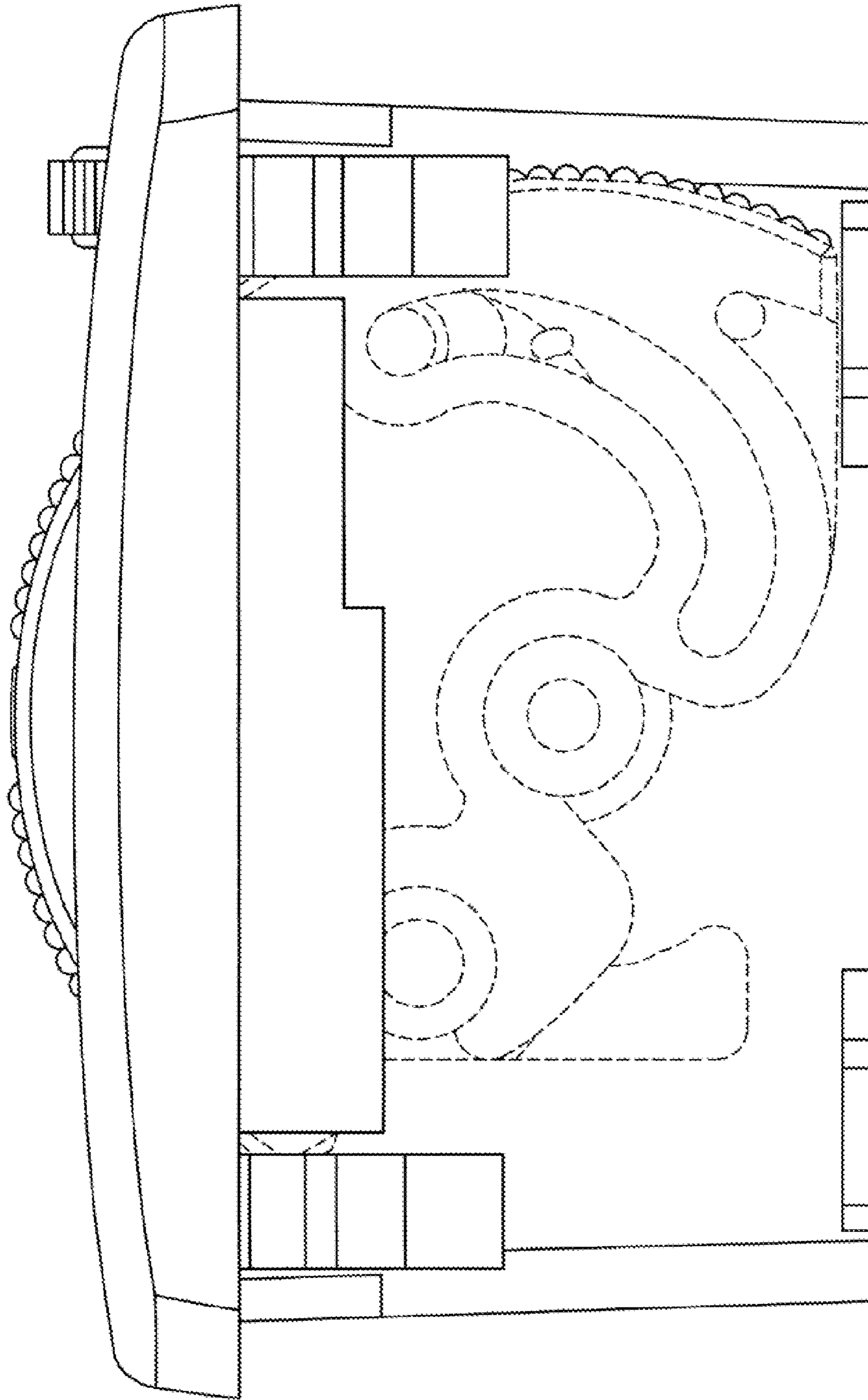


FIG. 7