



US00D593663S

(12) **United States Design Patent**  
**Chiu**

(10) **Patent No.:** **US D593,663 S**  
(45) **Date of Patent:** **\*\* Jun. 2, 2009**

(54) **PORTABLE AIR CONDITIONER**

D575,857 S \* 8/2008 Chiu ..... D23/333

(75) Inventor: **Ming-Tsung Chiu, Chung-Ho (TW)**

\* cited by examiner

(73) Assignee: **New Widetech Industries Co., Ltd., Taipei Hsien (TW)**

*Primary Examiner*—Brian N Vinson  
(74) *Attorney, Agent, or Firm*—William E. Pelton, Esq.;  
Cooper & Dunham LLP

(\*\*) Term: **14 Years**

(57) **CLAIM**

(21) Appl. No.: **29/310,044**

The ornamental design for a portable air conditioner, as shown.

(22) Filed: **Jul. 23, 2008**

(51) **LOC (9) Cl.** ..... **23-04**

(52) **U.S. Cl.** ..... **D23/333**

(58) **Field of Classification Search** ..... D23/333,  
D23/351; 62/262–263, 259.1, 261, 297,  
62/324.1, 371, 401, 457.1; 312/31, 401,  
312/236, 249.1

See application file for complete search history.

**DESCRIPTION**

FIG. 1 is a perspective view of a portable air conditioner showing my new design;

FIG. 2 is a front view thereof;

FIG. 3 is a rear view thereof;

FIG. 4 is a left view thereof;

FIG. 5 is a right view thereof;

FIG. 6 is a top view thereof;

FIG. 7 is a bottom view thereof; and,

FIG. 8 is a rear perspective view thereof.

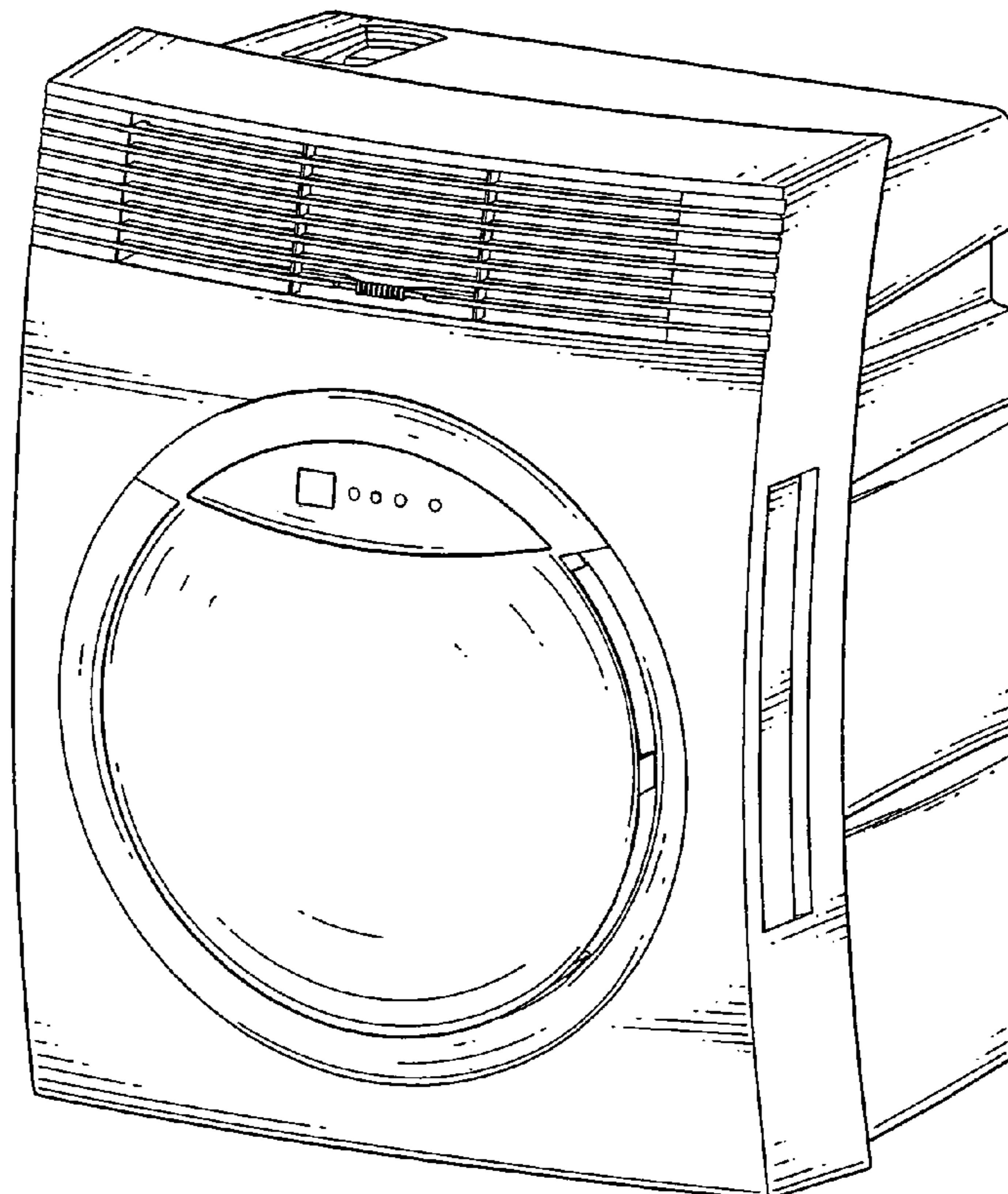
The portions of the Figures shown in broken lines are shown for illustrative purposes only and form no part of the claimed design.

(56) **References Cited**

**U.S. PATENT DOCUMENTS**

D448,070 S *	9/2001	De'Longhi	.....	D23/333
D448,836 S *	10/2001	De'Longhi	.....	D23/333
D539,403 S *	3/2007	Pino	.....	D23/351
D549,310 S *	8/2007	Hou et al.	.....	D23/351
D558,867 S *	1/2008	Chun et al.	.....	D23/351
D564,646 S *	3/2008	Chen	.....	D23/351
D572,810 S *	7/2008	Chiu	.....	D23/333

**1 Claim, 6 Drawing Sheets**



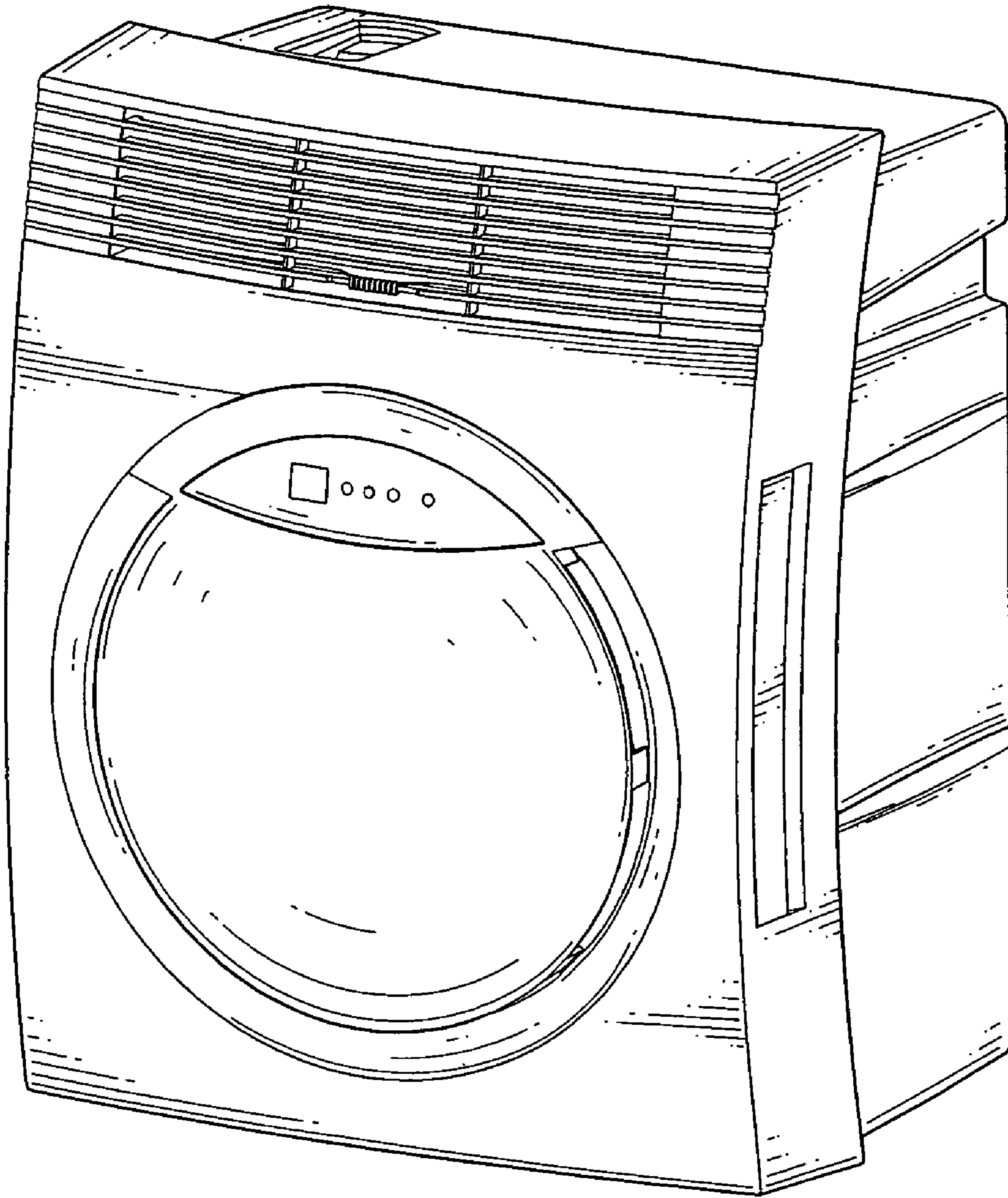


FIG. 1

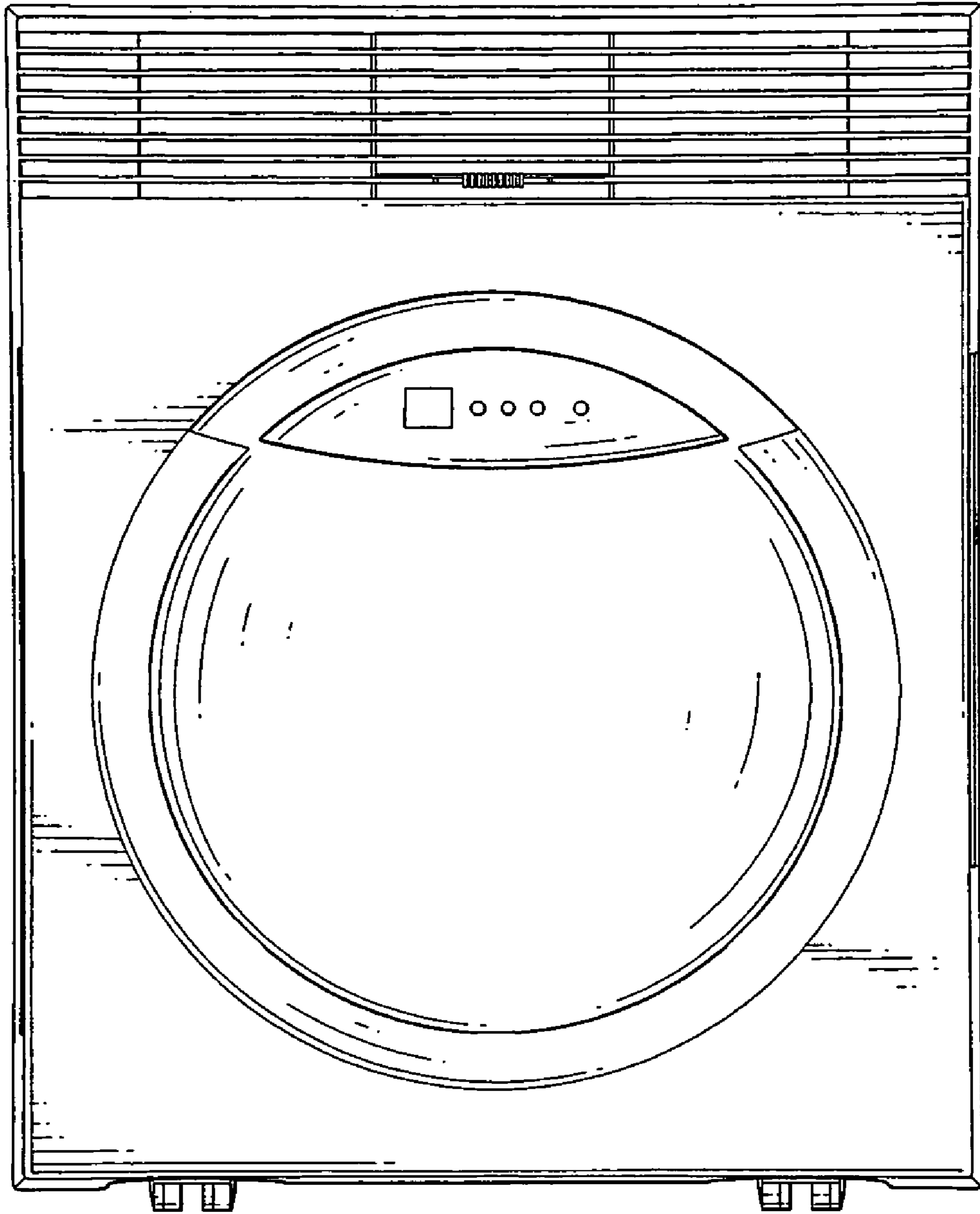


FIG. 2

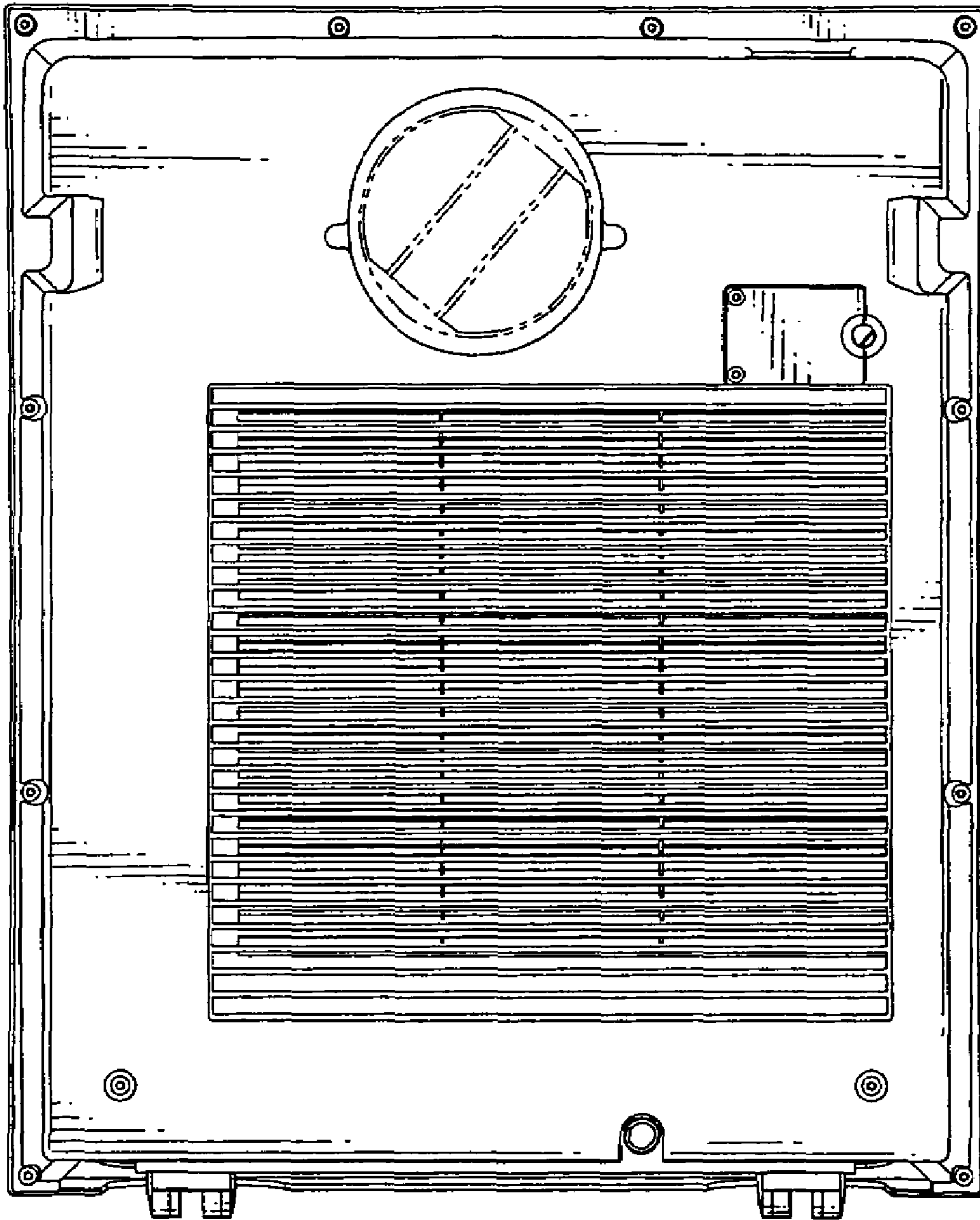


FIG. 3

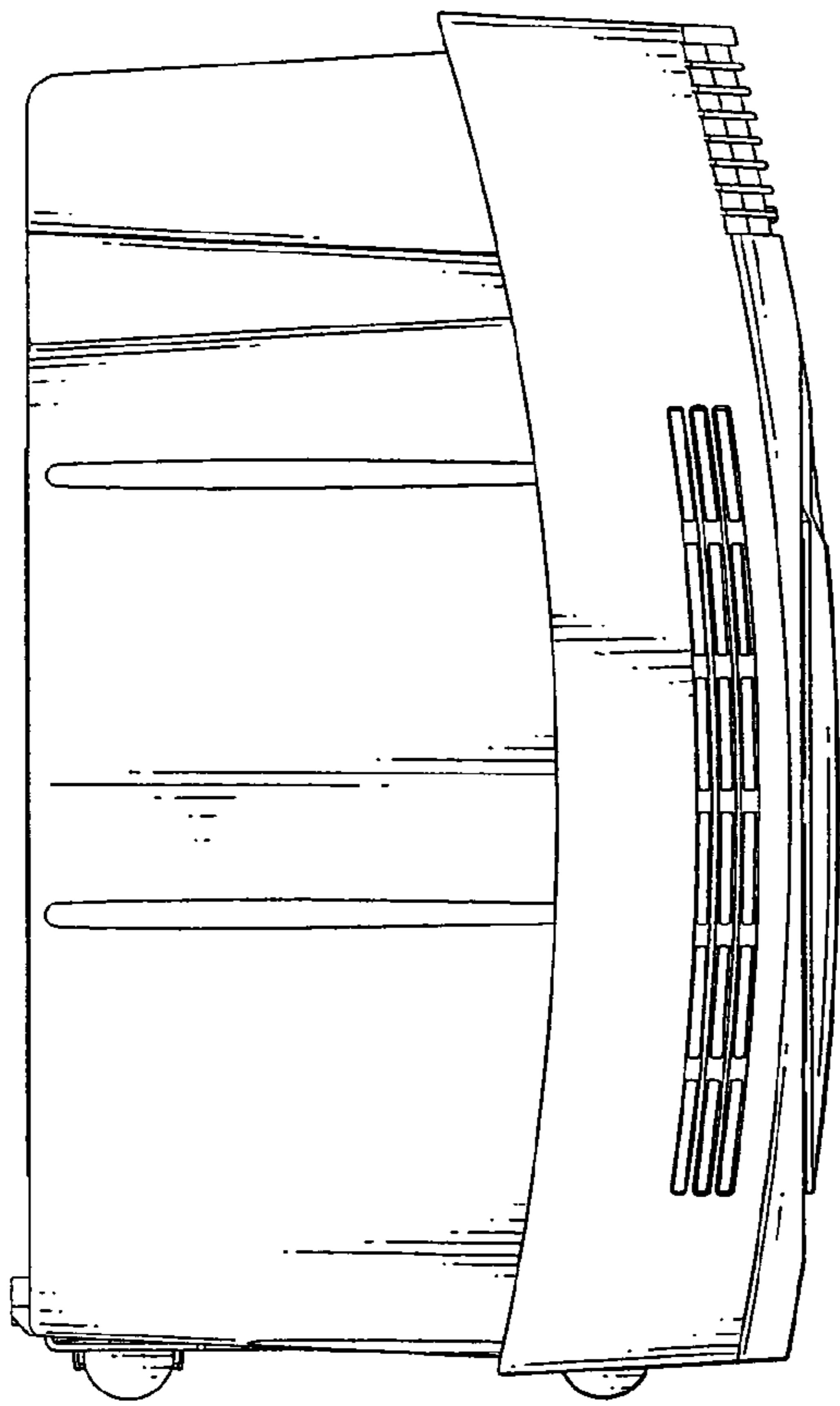


FIG. 4

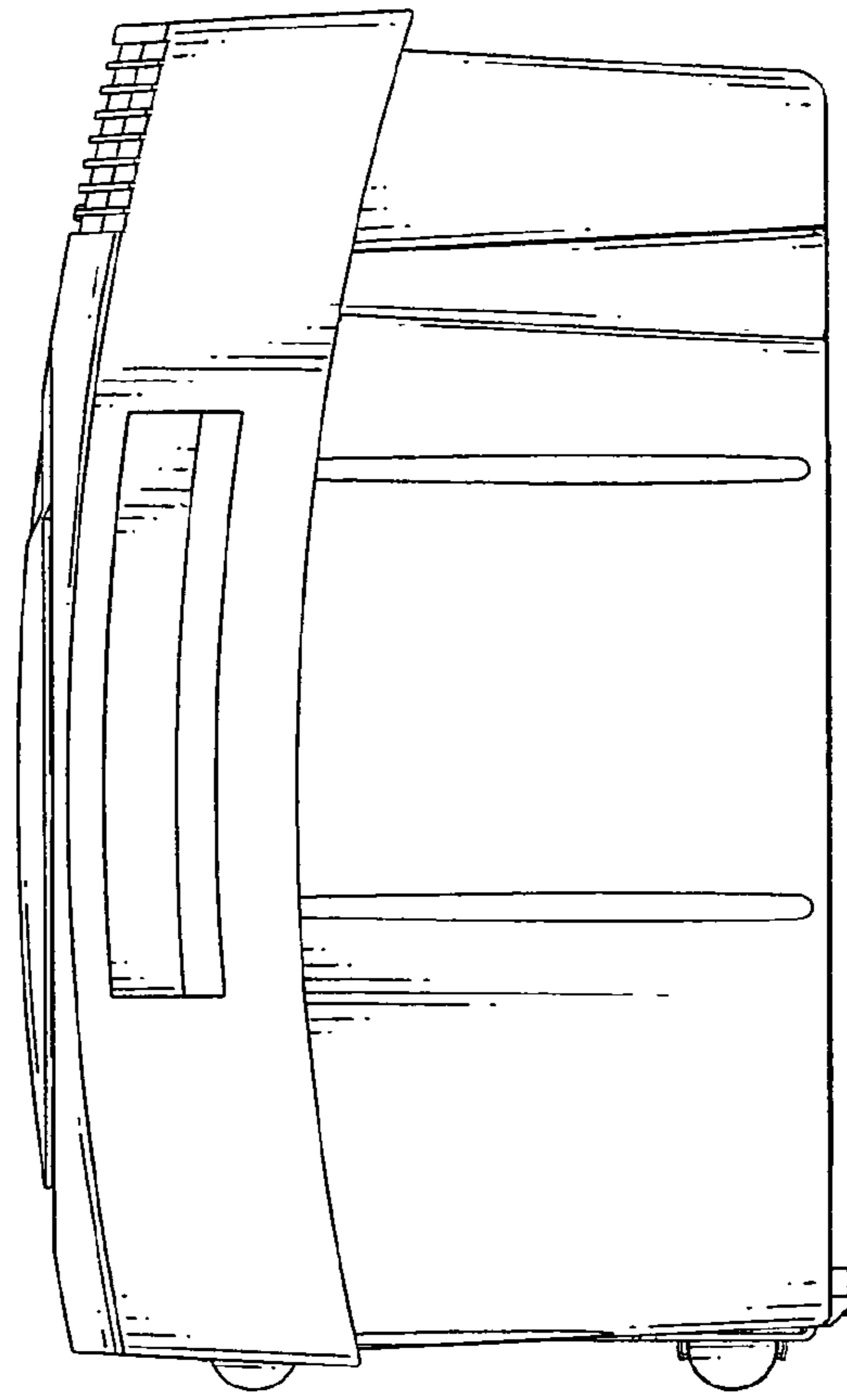


FIG. 5

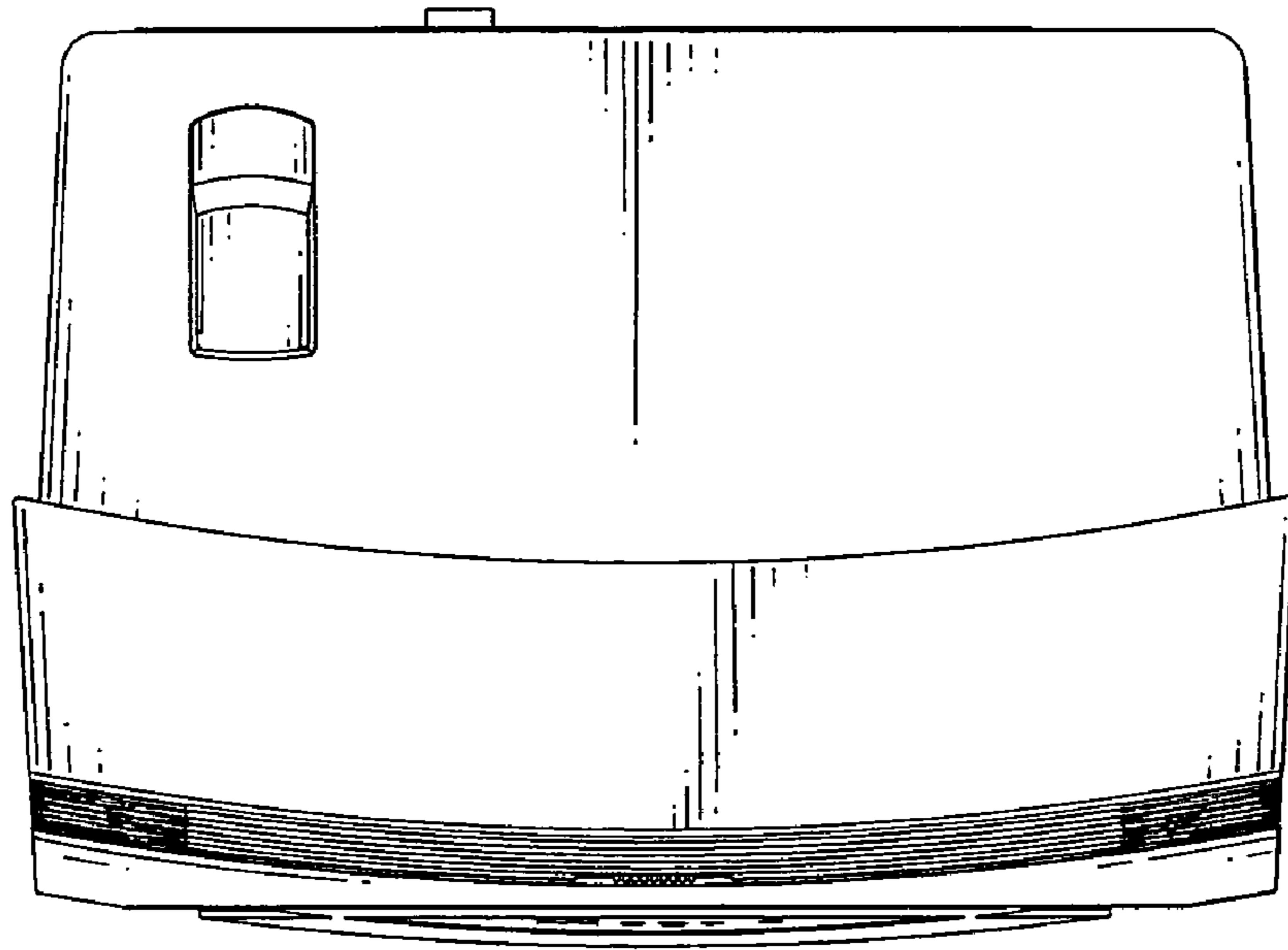


FIG. 6

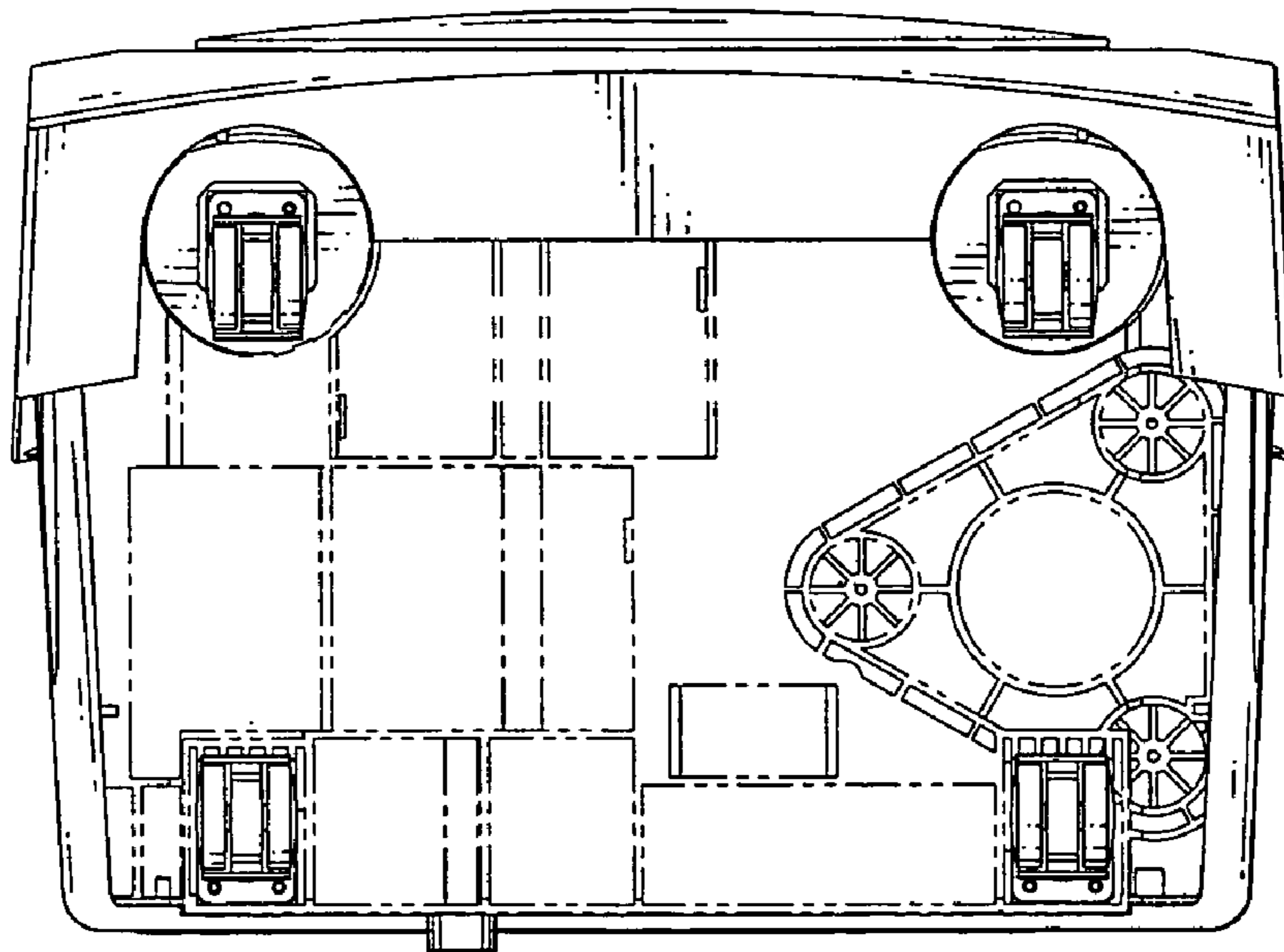


FIG. 7

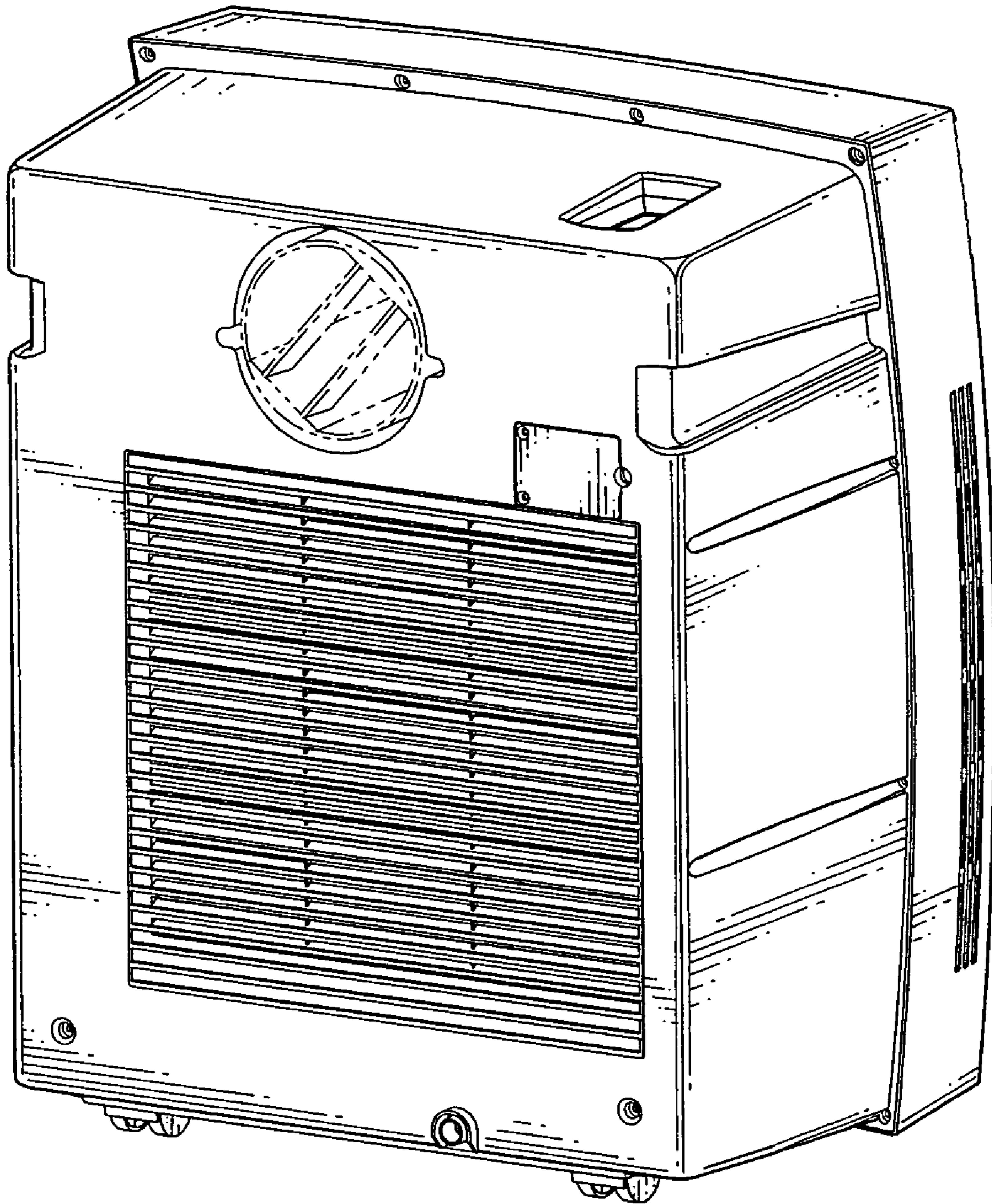


FIG. 8