



US00D593660S

(12) **United States Design Patent**
Gao

(10) **Patent No.:** **US D593,660 S**
(45) **Date of Patent:** **** *Jun. 2, 2009**

(54) **HEATING FAN**

(75) Inventor: **Tianyu Gao**, Shenzhen (CN)

(73) Assignee: **Shenzhen Sunzone Electrical Appliances Ltd.**, Shenzhen, Guangdong Province (CN)

(**) Term: **14 Years**

(21) Appl. No.: **29/274,773**

(22) Filed: **May 23, 2007**

(30) **Foreign Application Priority Data**

Nov. 23, 2006 (CN) 2006 3 0154845

(51) **LOC (9) Cl.** **23-03**

(52) **U.S. Cl.** **D23/317**

(58) **Field of Classification Search** D23/314,
D23/317, 332, 342, 333, 334, 335, 337, 351,
D23/355, 378, 370, 387, 364, 336, 341, 383;
237/56, 67, 61, 62; 416/244 R, 247 R, 53.1,
416/53.2, 53.3; 392/365, 367, 347, 350,
392/373, 407, 433, 78 A

See application file for complete search history.

(56) **References Cited**

U.S. PATENT DOCUMENTS

| | | | | |
|--------------|---------|---------------|-------|---------|
| D373,414 S * | 9/1996 | Bucher et al. | | D23/335 |
| D395,490 S * | 6/1998 | Jane' et al. | | D23/337 |
| D396,526 S * | 7/1998 | Boyle et al. | | D23/335 |
| D423,657 S * | 4/2000 | Lee | | D23/337 |
| D448,837 S * | 10/2001 | Toro et al. | | D23/335 |
| D462,429 S * | 9/2002 | Gao | | D23/335 |
| D462,753 S * | 9/2002 | Gao | | D23/335 |
| D465,835 S * | 11/2002 | Gao | | D23/325 |
| D471,969 S * | 3/2003 | Krauss | | D23/337 |
| D483,101 S * | 12/2003 | Ching | | D23/335 |
| D483,102 S * | 12/2003 | Ching | | D23/335 |
| D513,069 S * | 12/2005 | Blateri | | D23/335 |

| | | | | |
|-------------------|---------|----------------|-------|---------|
| D526,058 S * | 8/2006 | Blateri | | D23/332 |
| D534,629 S * | 1/2007 | Bucher et al. | | D23/335 |
| D550,339 S * | 9/2007 | Bucher et al. | | D23/335 |
| D569,957 S * | 5/2008 | Shapiro | | D23/317 |
| D574,937 S * | 8/2008 | Gao | | D23/317 |
| D577,796 S * | 9/2008 | Gao | | D23/317 |
| D577,797 S * | 9/2008 | Gao | | D23/317 |
| D578,189 S * | 10/2008 | Gao | | D23/317 |
| D578,190 S * | 10/2008 | Gao | | D23/332 |
| D578,191 S * | 10/2008 | Gao | | D23/332 |
| D578,626 S * | 10/2008 | Gao | | D23/317 |
| D578,627 S * | 10/2008 | Gao | | D23/332 |
| D580,027 S * | 11/2008 | Gao | | D23/317 |
| D581,502 S * | 11/2008 | Gao | | D23/332 |
| D581,503 S * | 11/2008 | Gao | | D23/332 |
| D582,024 S * | 12/2008 | Gao | | D23/332 |
| 2007/0046107 A1 * | 3/2007 | Jayaram et al. | | 307/117 |

* cited by examiner

Primary Examiner—T. Chase Nelson

Assistant Examiner—Ania K Dworzecka

(74) *Attorney, Agent, or Firm*—Jacobson Holman PLLC

(57) **CLAIM**

I claim the ornamental design for the heating fan, as shown and described.

DESCRIPTION

FIG. 1 is a front perspective view of the heating fan;

FIG. 2 is a front elevational view of the heating fan;

FIG. 3 is a rear elevational view of the heating fan;

FIG. 4 is a top plan view of the heating fan;

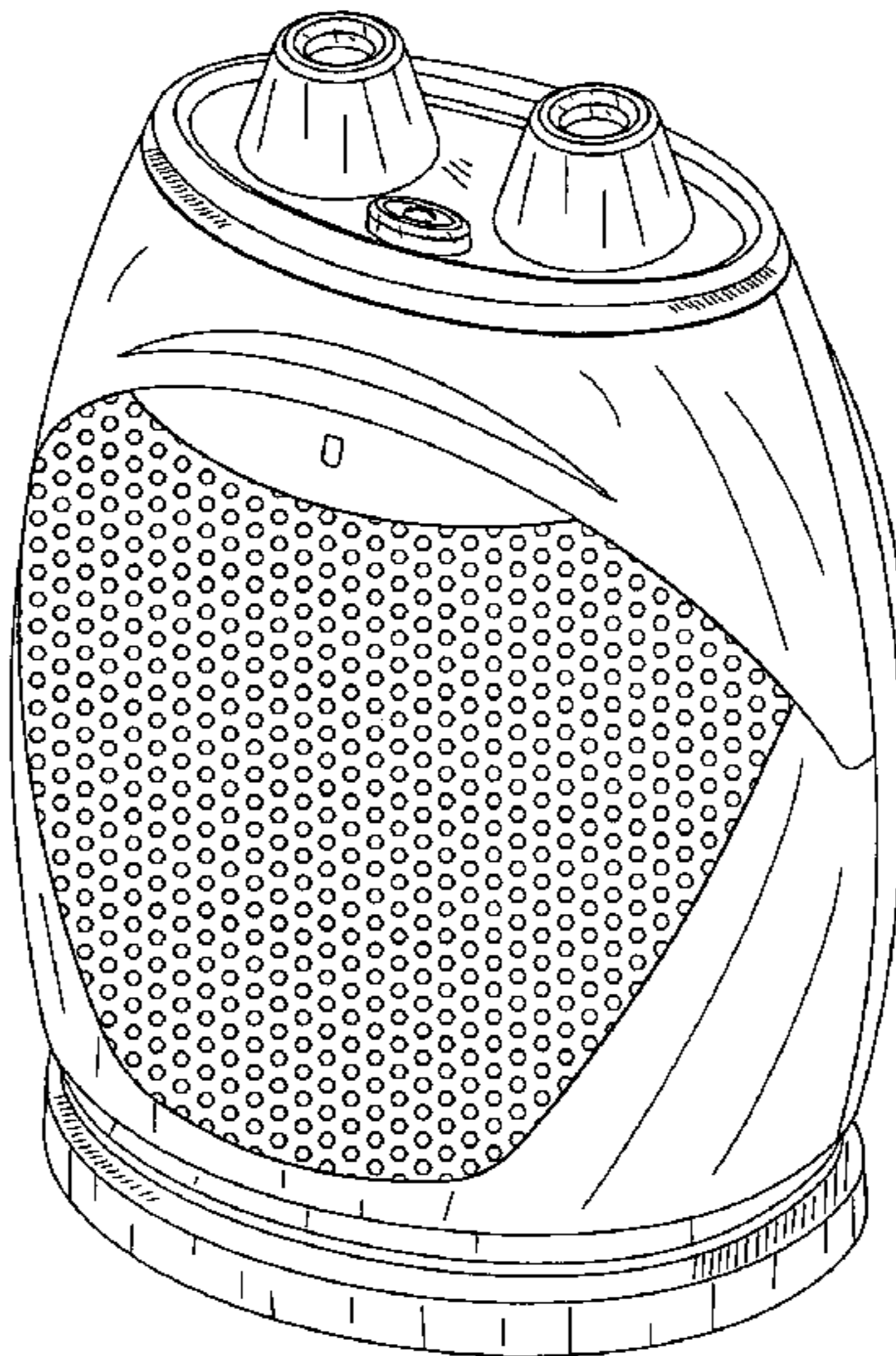
FIG. 5 is a bottom plan view of the heating fan;

FIG. 6 is a left side elevational view of the heating fan; and,

FIG. 7 is a right side elevational view of the heating fan.

The portions of the design shown in broken lines form no part of the claimed design.

1 Claim, 7 Drawing Sheets



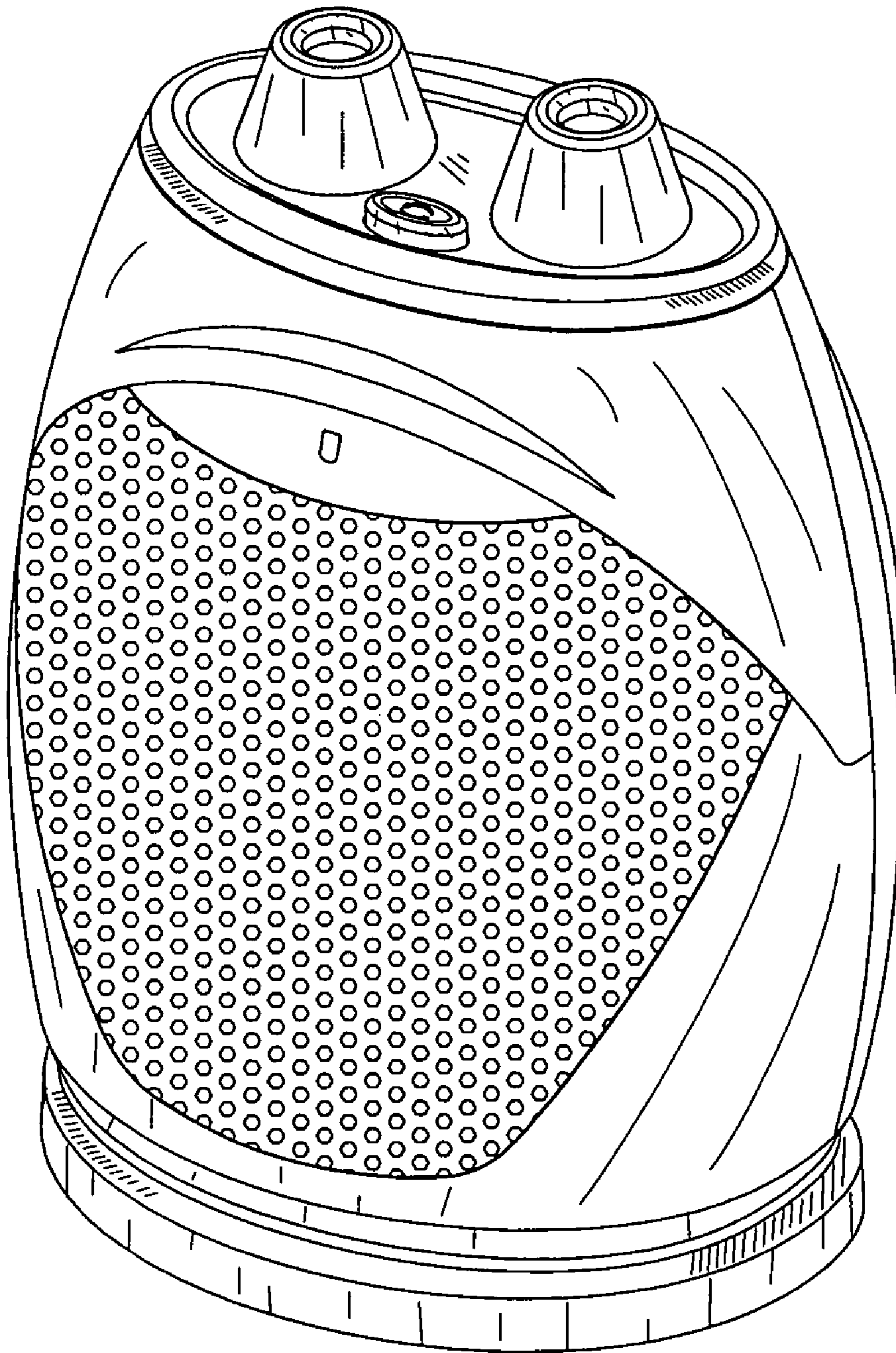


FIG. 1

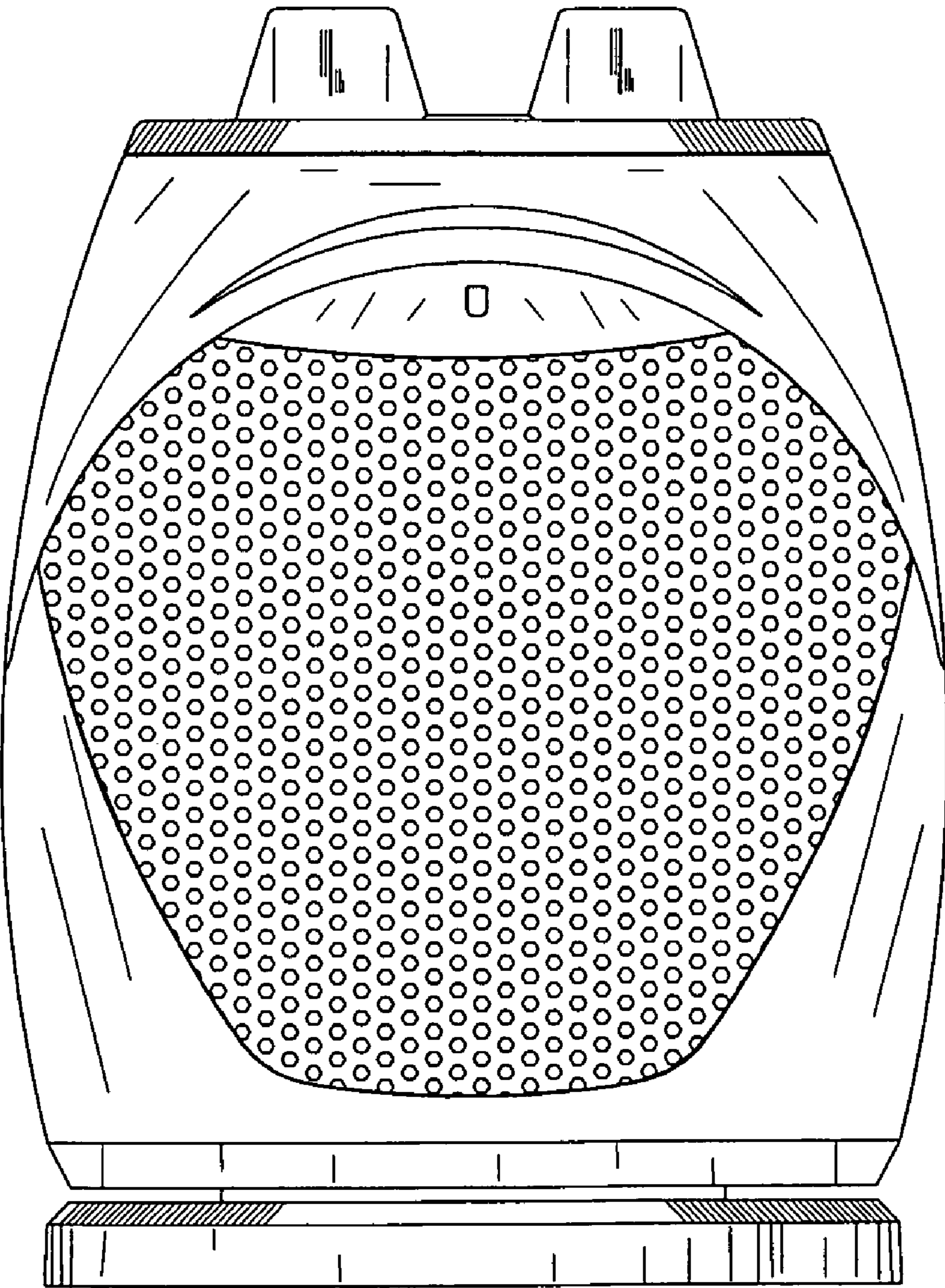


FIG. 2

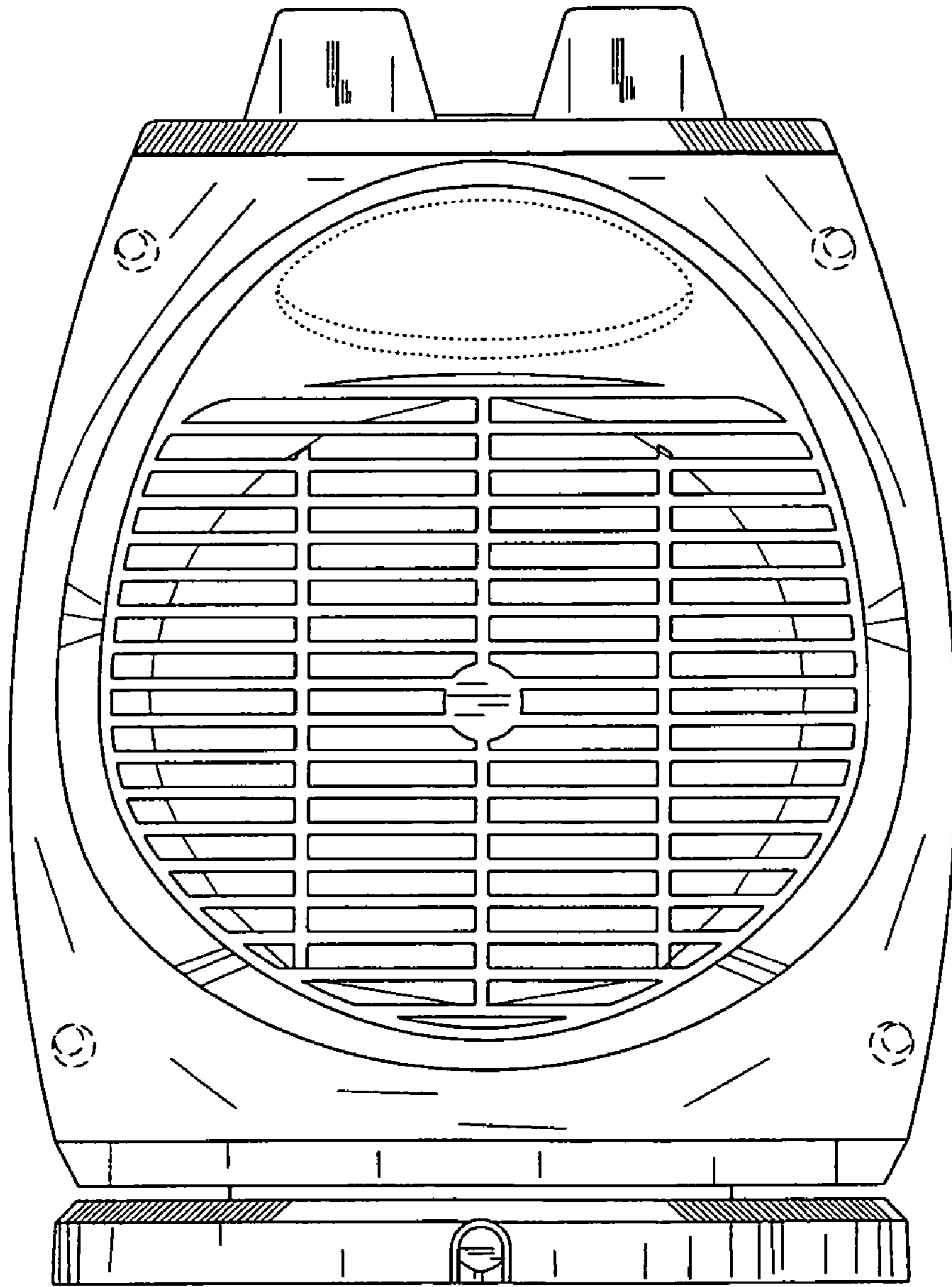


FIG. 3

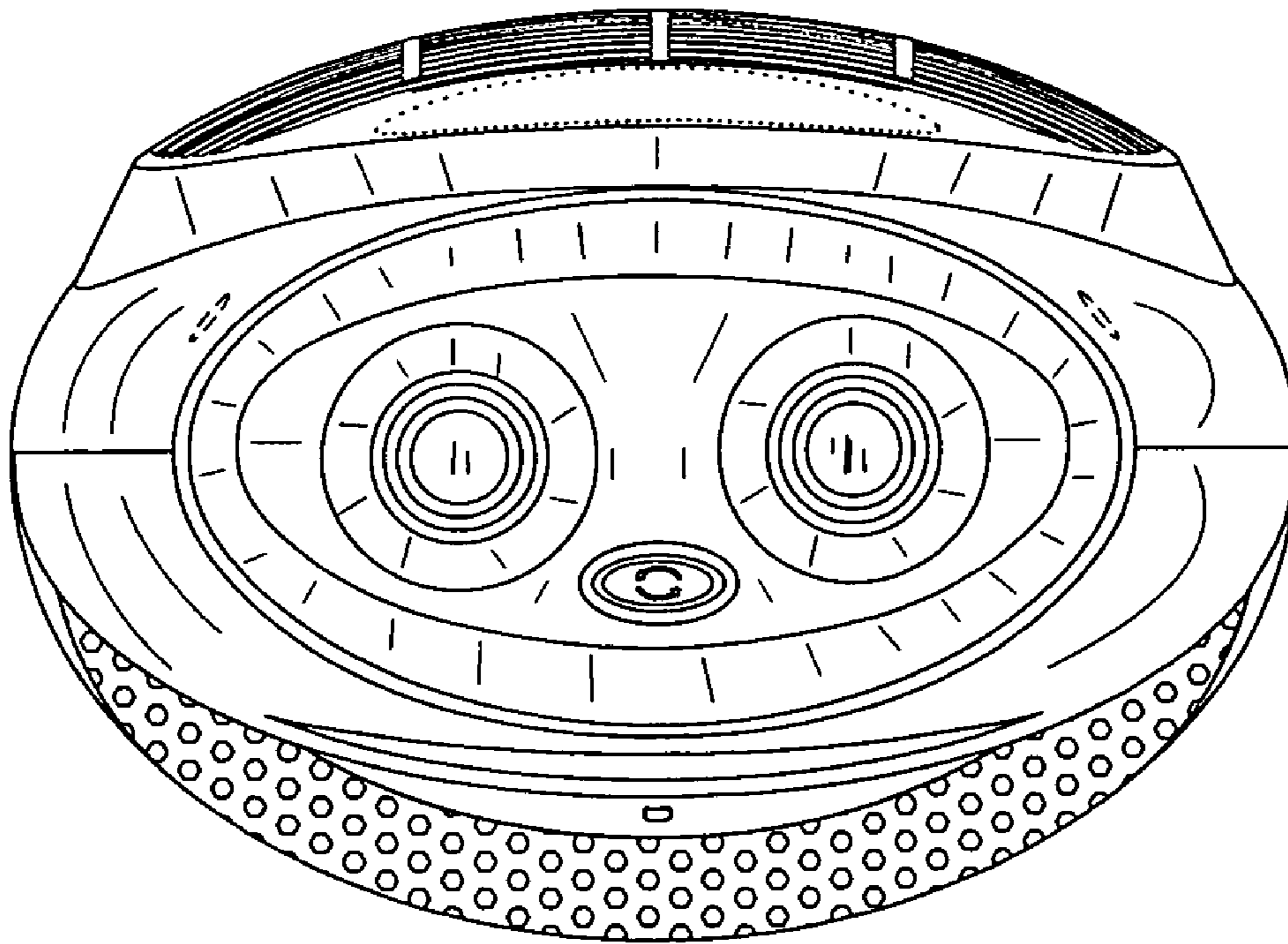


FIG. 4

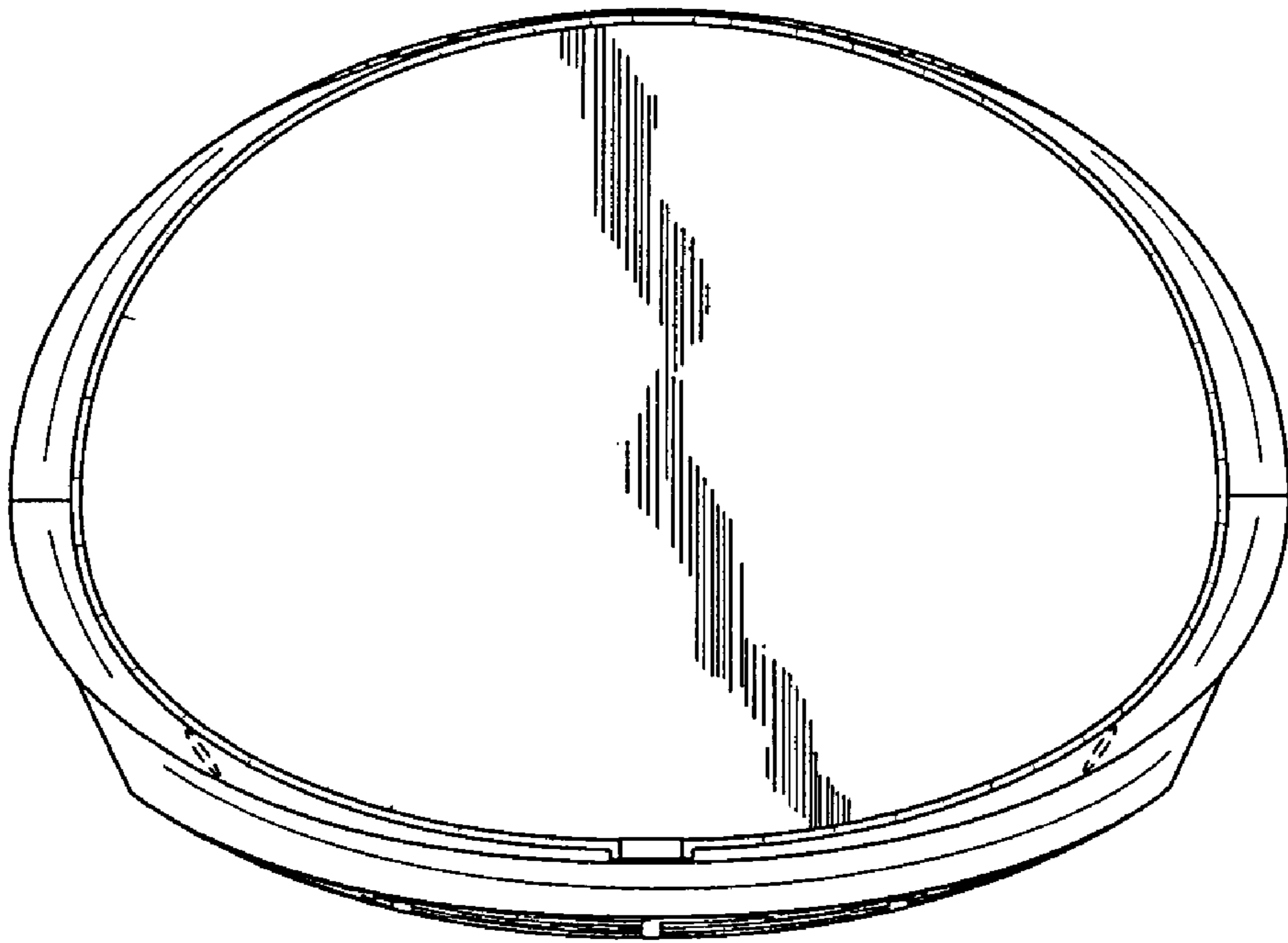


FIG. 5

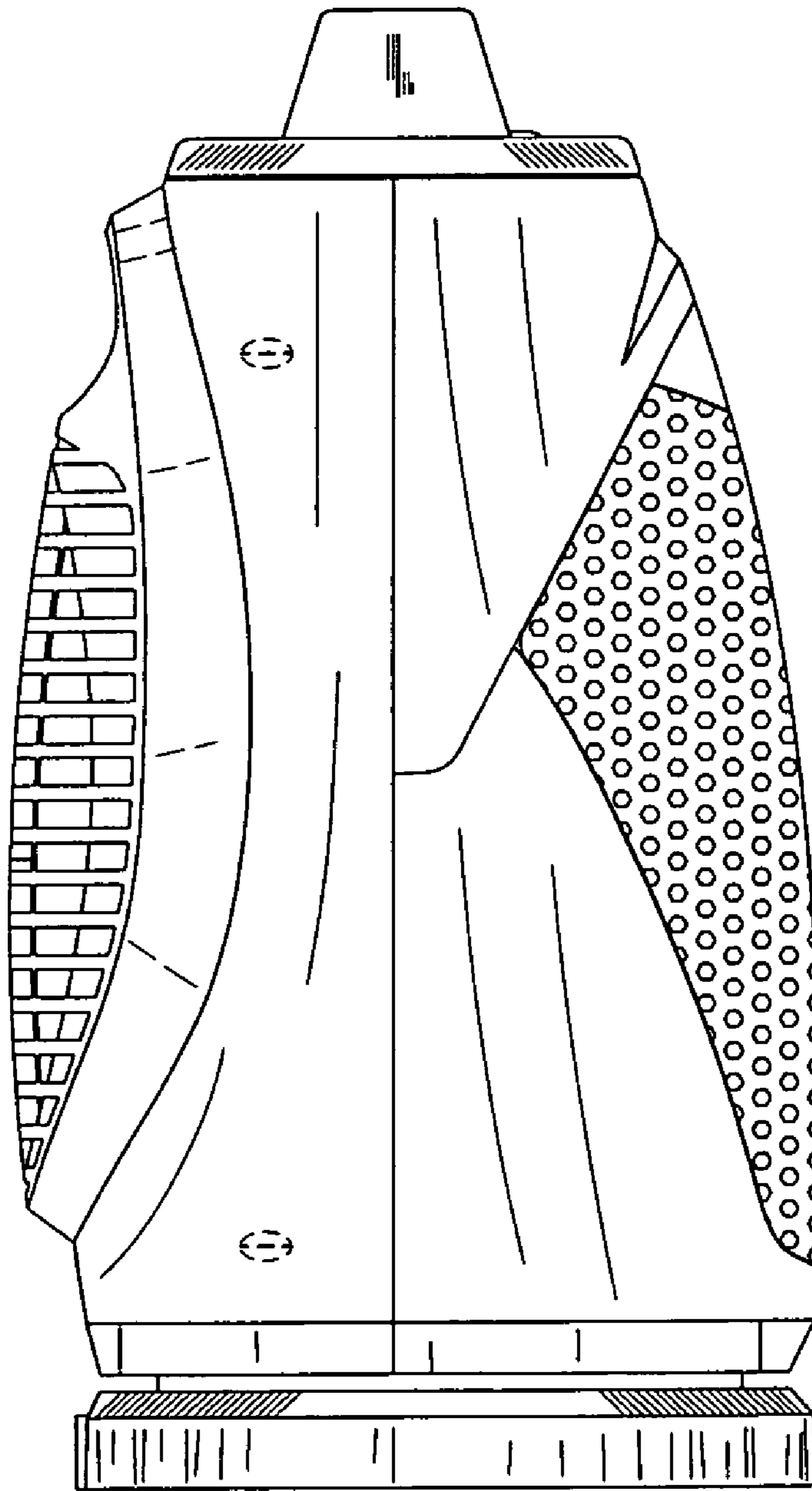


FIG. 6

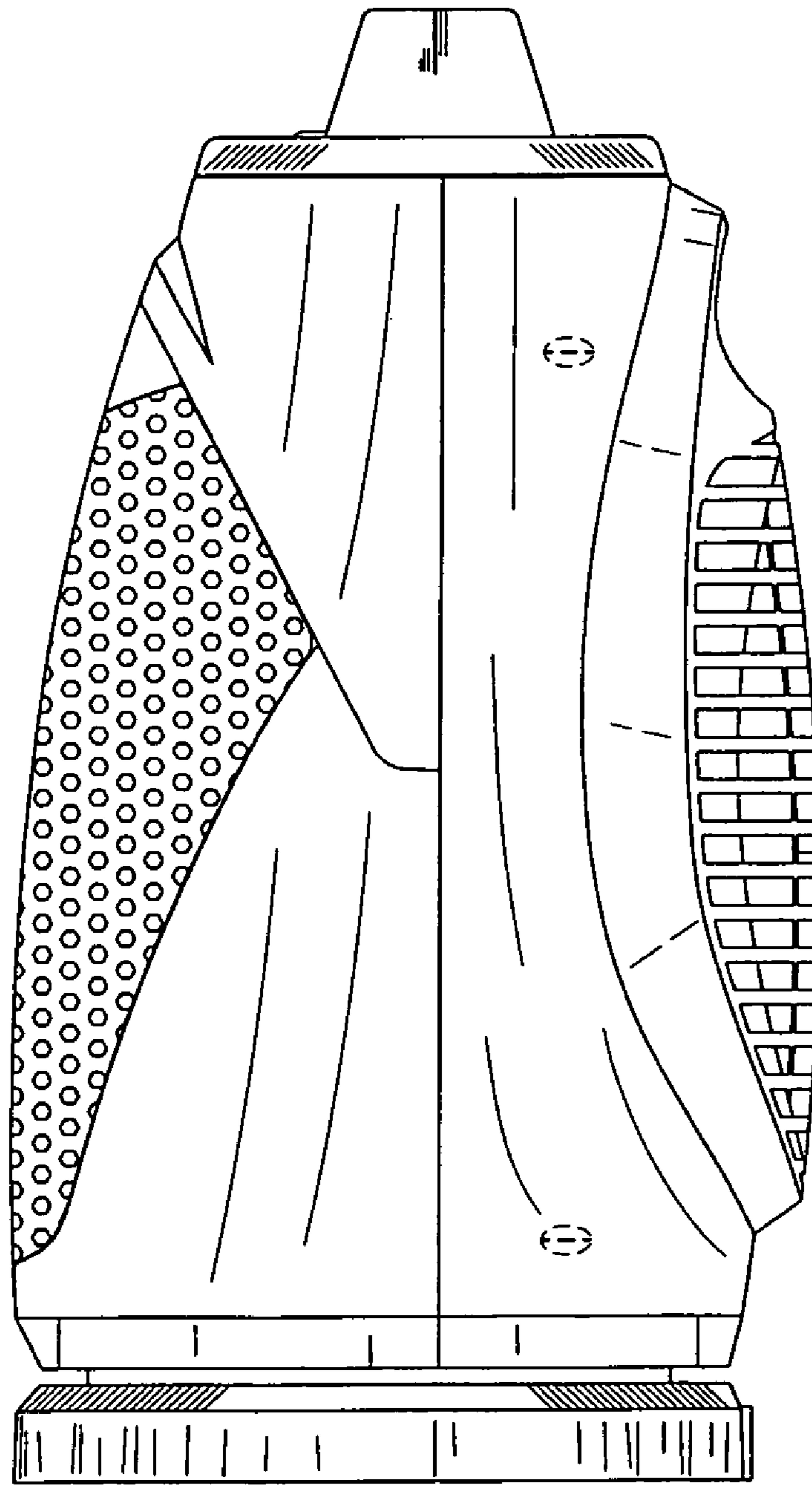


FIG. 7