



US00D593653S

(12) **United States Design Patent**
Mitrani

(10) **Patent No.:** **US D593,653 S**
(45) **Date of Patent:** **** Jun. 2, 2009**

(54) **CORNER SHOWER ENCLOSURE**

(75) Inventor: **Avraham Mitrani**, Woodland Hills, CA (US)

(73) Assignee: **Mitrani USA Corporation**, Woodland Hills, CA (US)

(**) Term: **14 Years**

(21) Appl. No.: **29/307,316**

(22) Filed: **Apr. 11, 2008**

(51) **LOC (9) Cl.** **23-02**

(52) **U.S. Cl.** **D23/304; D8/320; D8/323; D8/394**

(58) **Field of Classification Search** **D23/275, D23/273, 279, 283, 303-306; 4/552, 556-557, 4/596-597, 607, 610, 900; D8/320, 323, D8/394**

See application file for complete search history.

(56) **References Cited**

U.S. PATENT DOCUMENTS

3,104,428 A * 9/1963 Benham D8/323

(Continued)

Primary Examiner—Robert A Delehanty

(74) *Attorney, Agent, or Firm*—Pillsbury Winthrop Shaw Pittman LLP

(57) **CLAIM**

The ornamental design for a corner shower enclosure, as shown and described.

DESCRIPTION

FIG. 1 is an overall view, showing all the components of a corner-shower enclosure;

FIG. 2 is a greatly enlarged top-perspective view of a component, upper-wall-hinge connected to a single glass-holder thereof;

FIG. 3 is a bottom-perspective view thereof;

FIG. 4 is a top perspective view of a glass-holder component, combined with a lower single-hinge thereof;

FIG. 5 is an exploded view thereof;

FIG. 6 is a perspective view of interior wedges, used in conjunction with glass holders;

FIG. 7 is a cross-sectional view of a glass-holder component thereof;

FIG. 8 is a perspective view of a bottom-view of a double glass-holder hinge component mechanism, in the fully opened position thereof;

FIG. 9 is a top-perspective view thereof;

FIG. 10 is an orthographic, bottom view thereof;

FIG. 11 is an orthographic, top view thereof;

FIG. 12 is an orthographic, right-side view thereof;

FIG. 13 is an orthographic, left-side view thereof;

FIG. 14 is an orthographic, left-side view of the double glass-holder hinge in the open position thereof;

FIG. 15 is an orthographic, right-side view thereof

FIG. 16 is a bottom-perspective view of a bridge-connector component, U in conjunction with two glass-holders thereof;

FIG. 17 is a top-perspective view thereof;

FIG. 18 is an orthographic, bottom view thereof;

FIG. 19 is an orthographic, front view thereof;

FIG. 20 is an orthographic, bottom-view thereof;

FIG. 21 is a left-side view thereof;

FIG. 22 is a right-side view thereof;

FIG. 23 is a perspective view of a shower-door handle component;

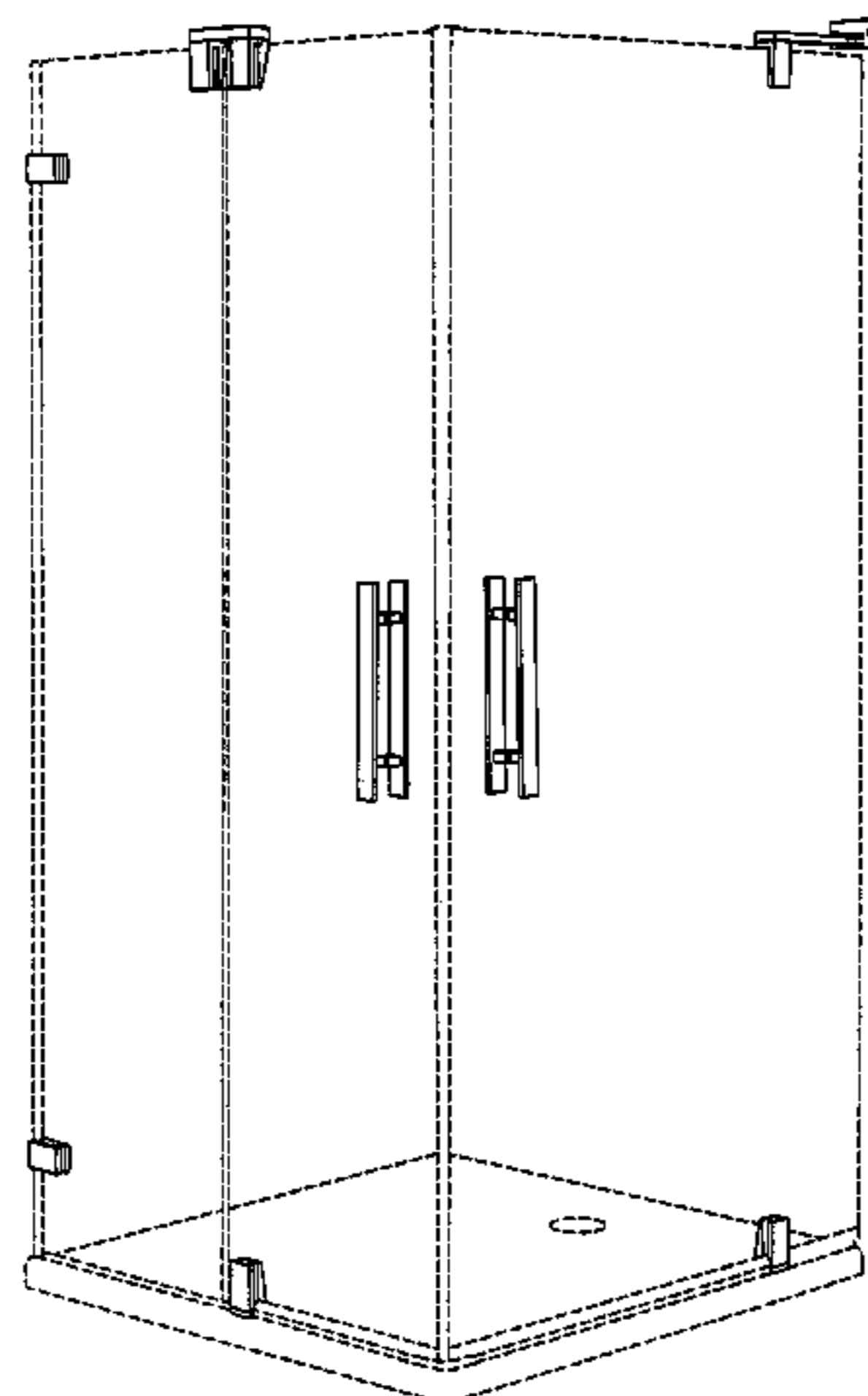
FIG. 24 is an orthographic, side view thereof;

FIG. 25 is an orthographic, front view thereof; and,

FIG. 26 is an orthographic, top view thereof.

The broken lines showing shower walls, base and features of the components are included for the purpose of illustrating a portion of the corner shower that forms no part of the claimed design.

1 Claim, 7 Drawing Sheets



US D593,653 S

Page 2

U.S. PATENT DOCUMENTS

| | | | | | | | |
|---------------|---------|-----------------------|--------|----------------|---------|----------------------------|---------|
| D226,261 S * | 2/1973 | Horgan, Jr. | D8/320 | 6,363,547 B1 * | 4/2002 | Perry | 4/614 |
| D228,877 S * | 10/1973 | Hirt | D8/394 | D486,385 S * | 2/2004 | Smith-Kielland et al. | D8/394 |
| D283,201 S * | 4/1986 | Zoroufy | D8/394 | D498,834 S * | 11/2004 | Rooke et al. | D23/304 |
| 4,914,770 A * | 4/1990 | Baus | 4/612 | 6,938,868 B2 * | 9/2005 | Pence | 4/612 |
| D320,337 S * | 10/1991 | Tye et al. | D8/320 | D544,585 S * | 6/2007 | Lebrun et al. | D23/283 |
| D334,129 S * | 3/1993 | Ishikawa | D8/323 | D552,448 S * | 10/2007 | Tang | D8/323 |
| D375,893 S * | 11/1996 | Hutcheson et al. | D8/394 | D576,015 S * | 9/2008 | Lange | D8/323 |

* cited by examiner

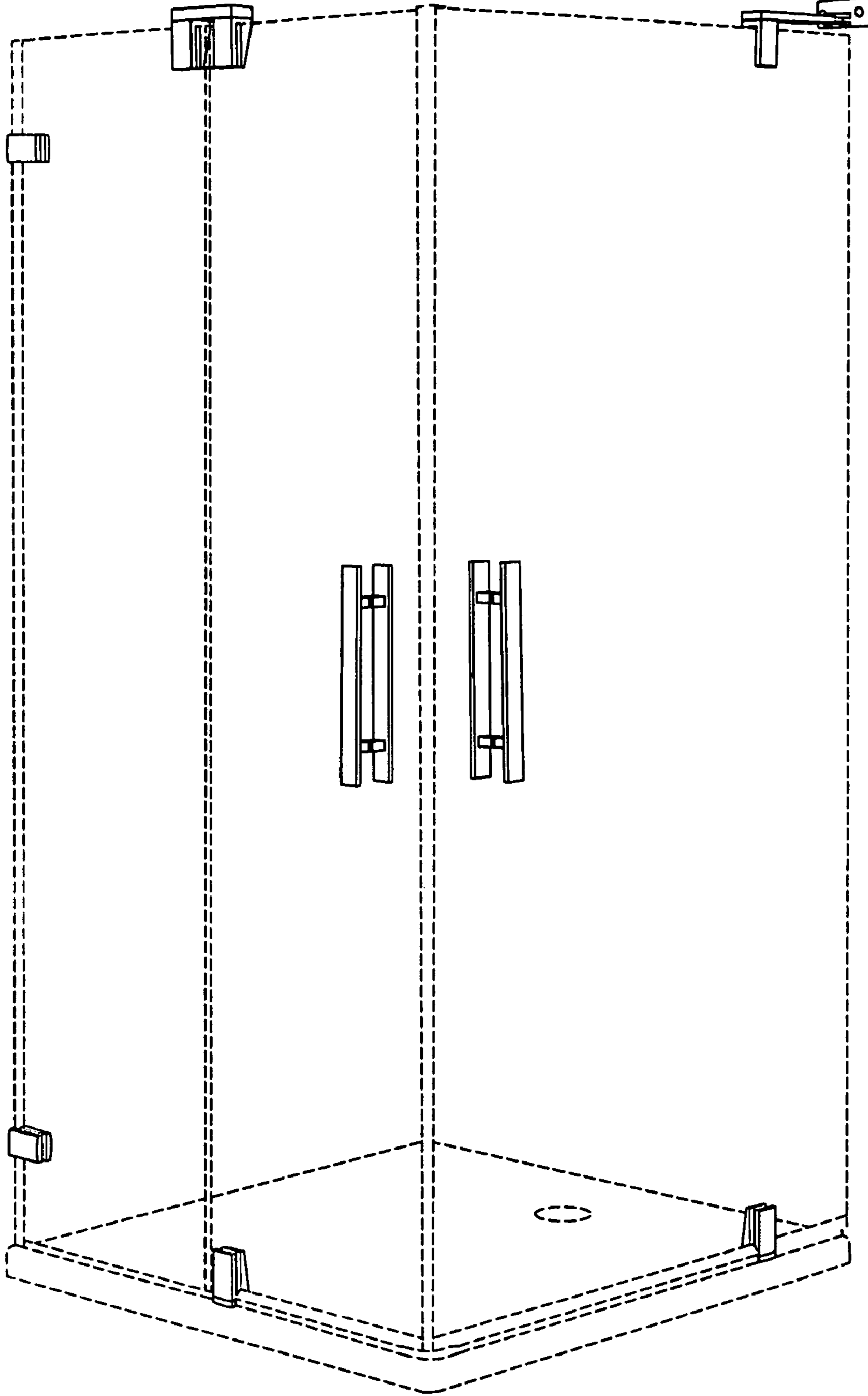


FIG. 1

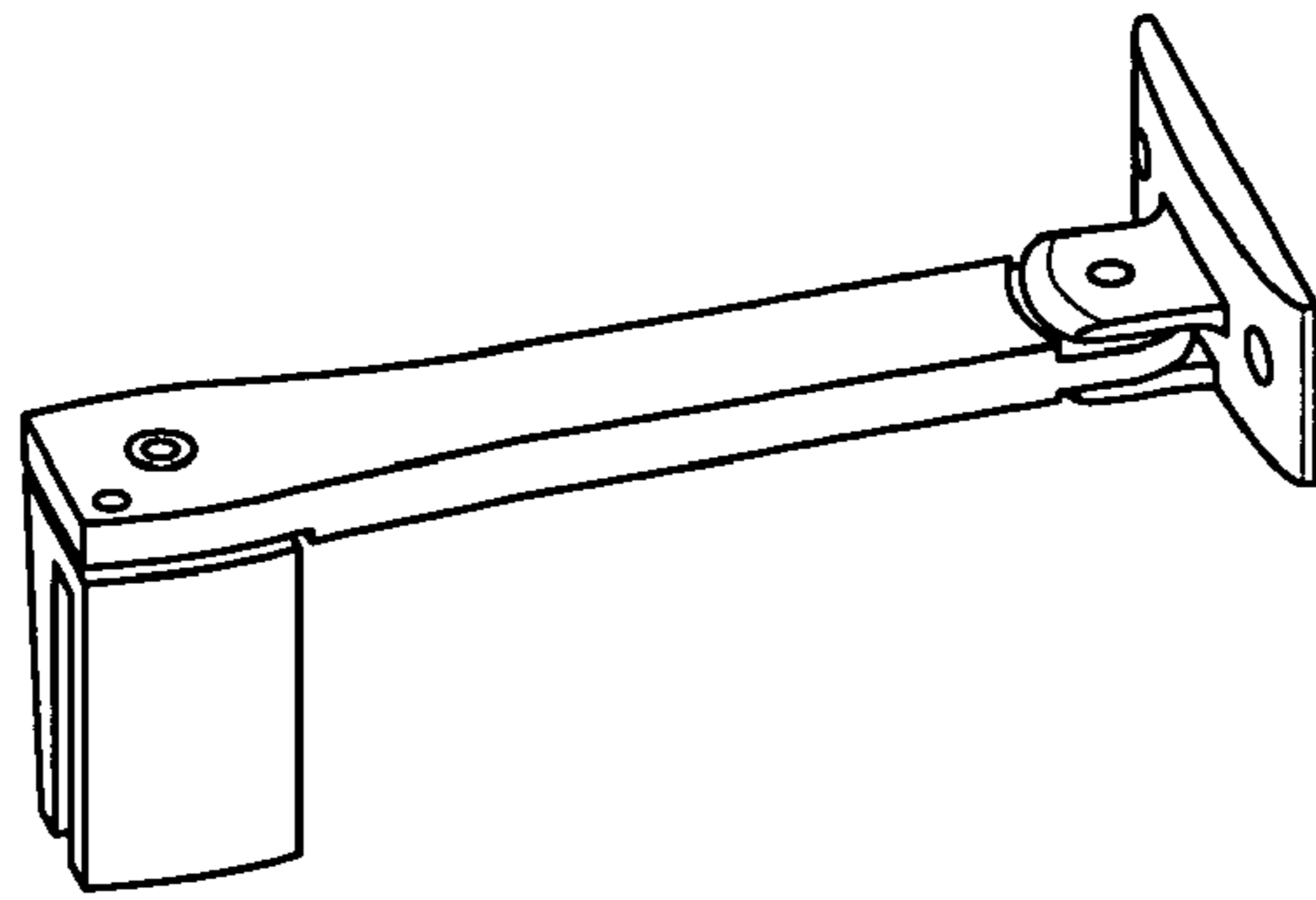


FIG. 2

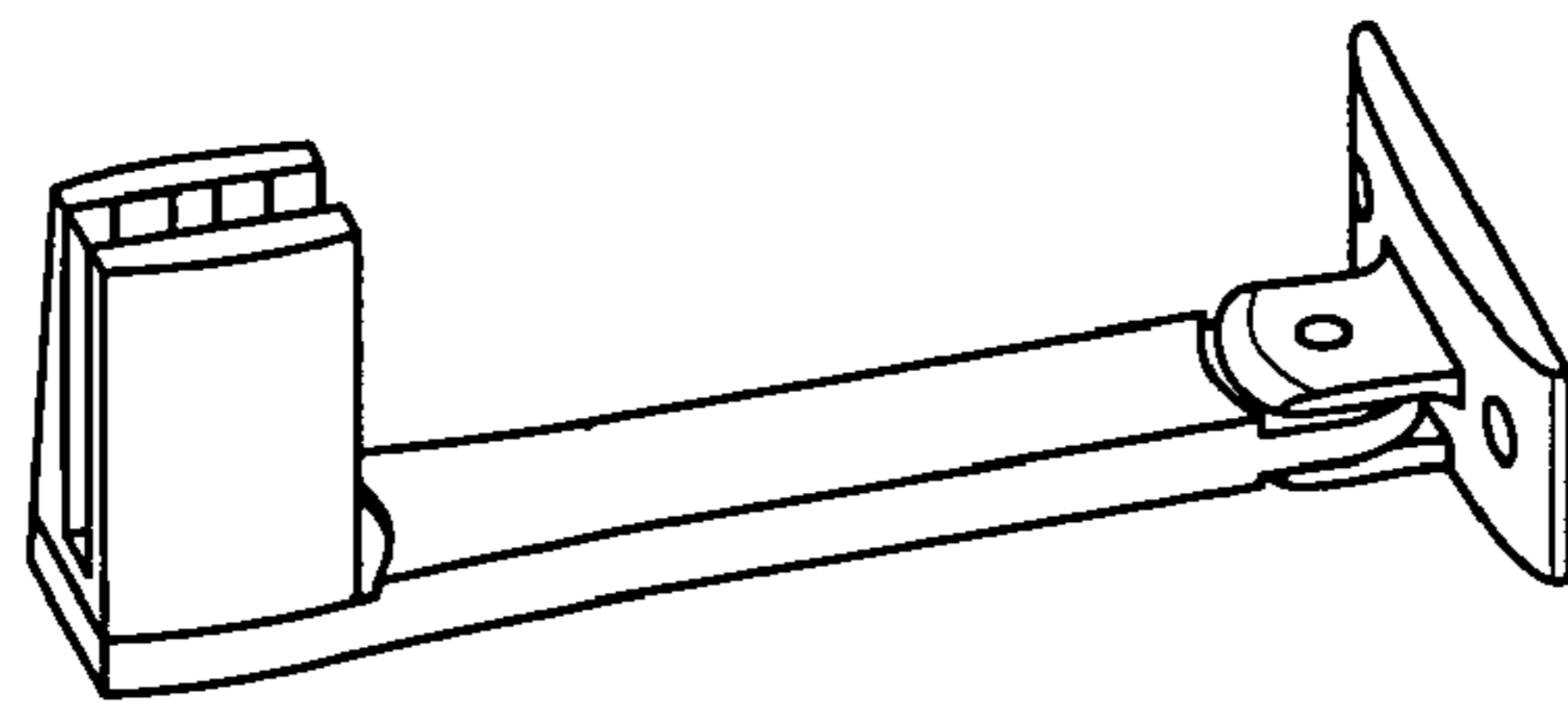


FIG. 3

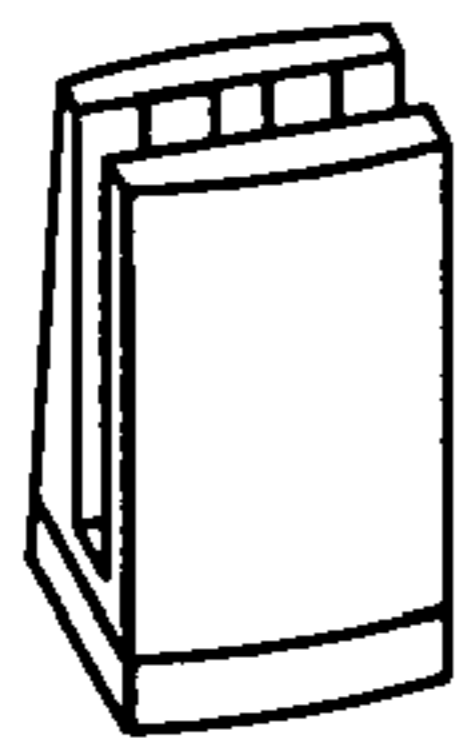


FIG. 4

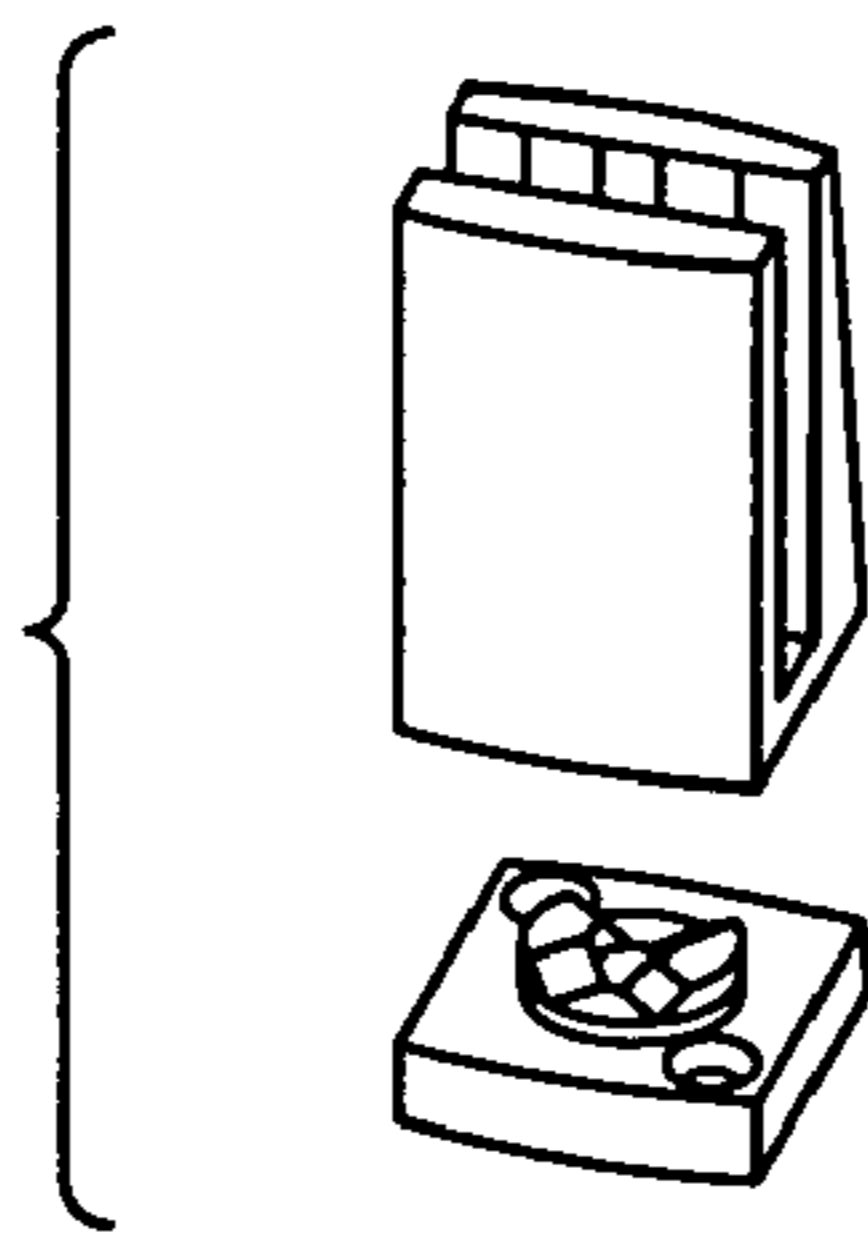


FIG. 5

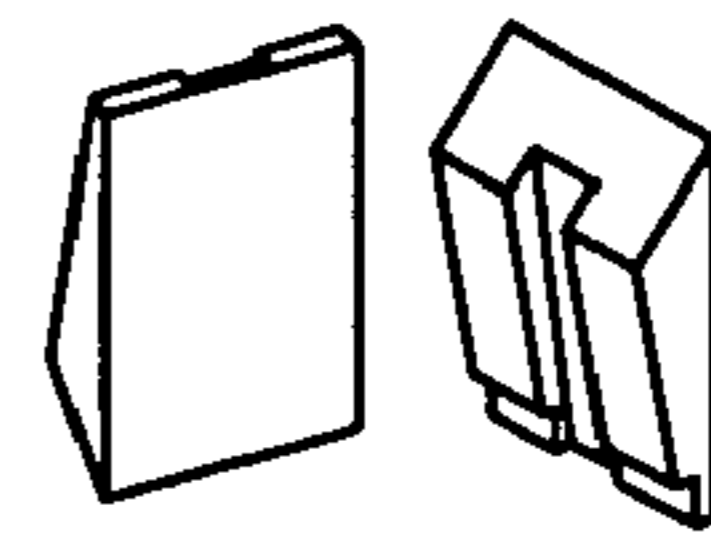


FIG. 6

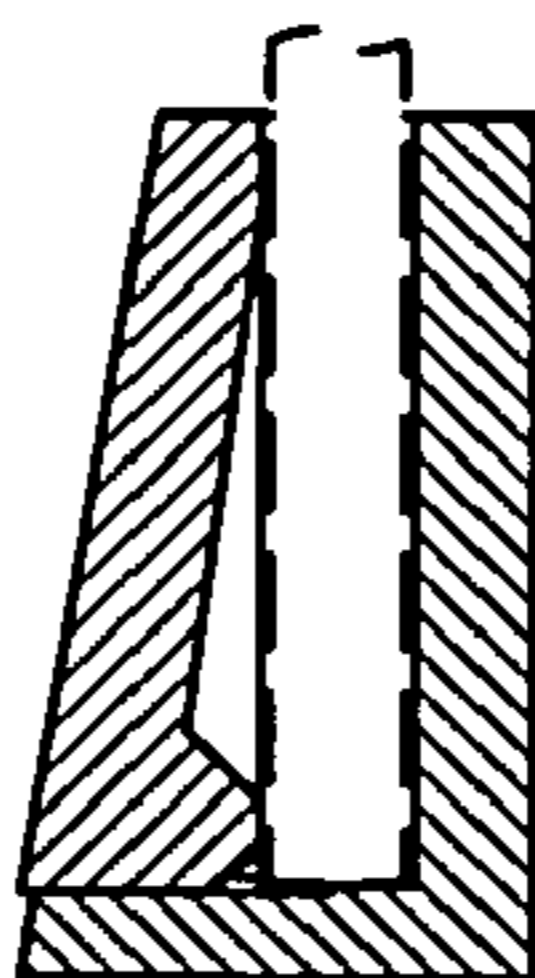


FIG. 7

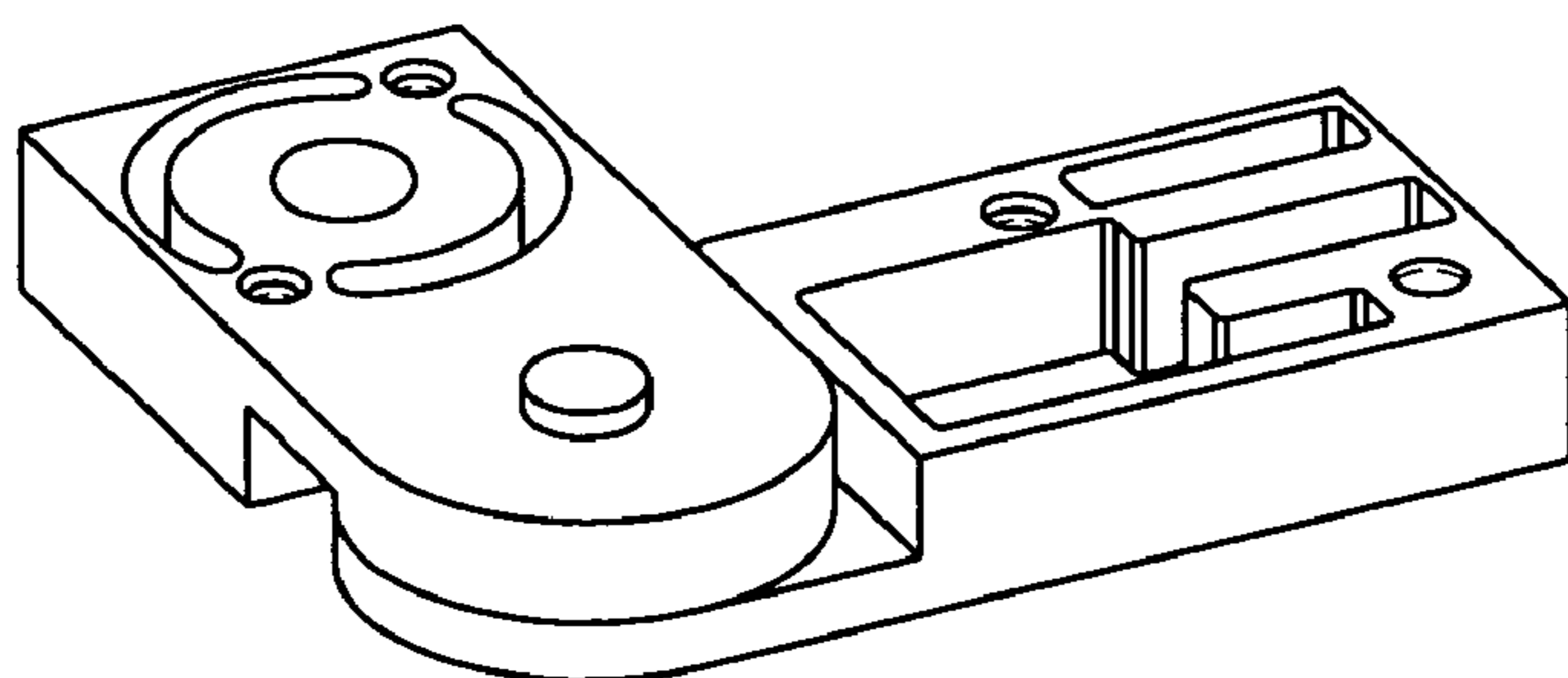


FIG. 8

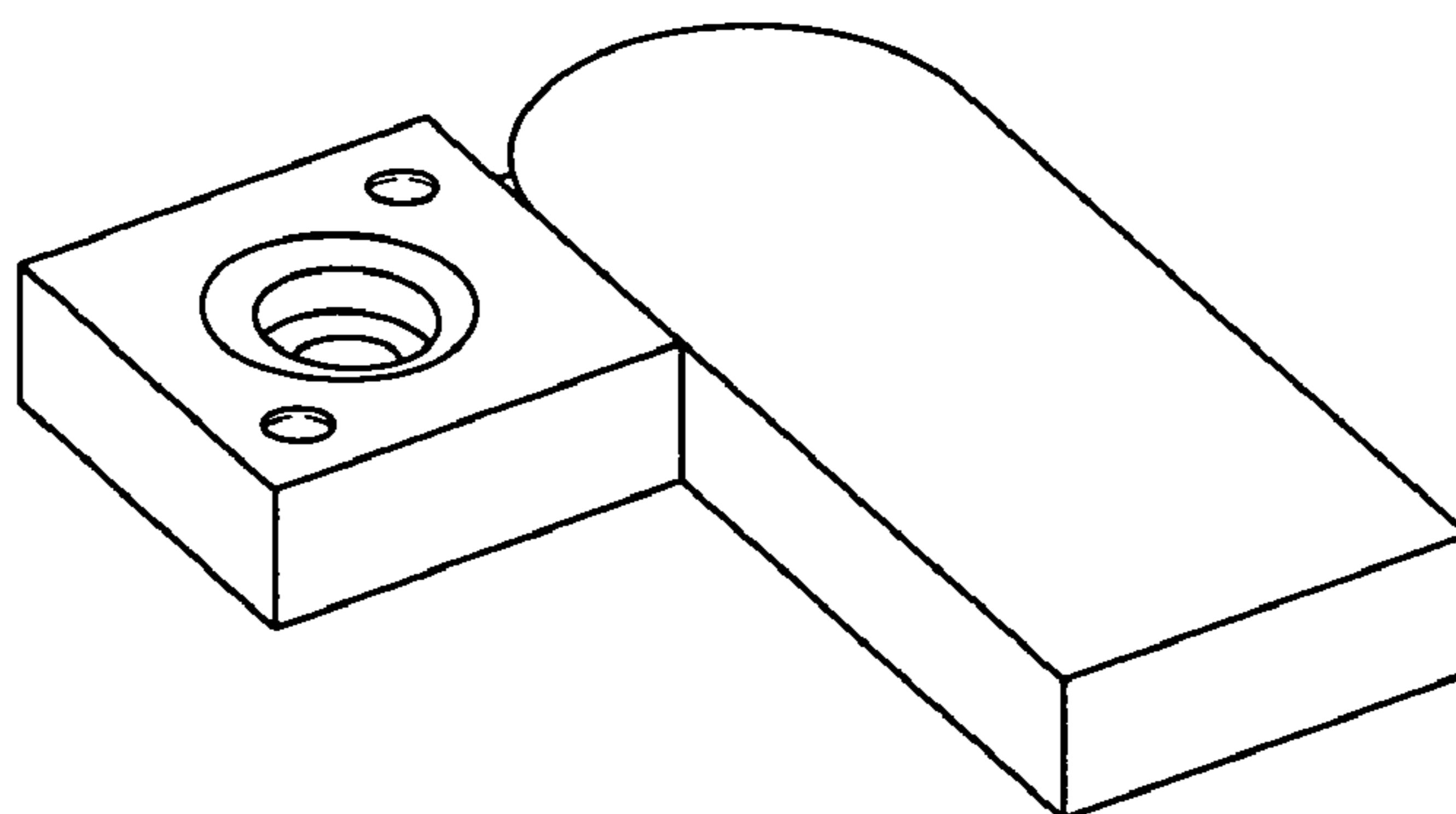


FIG. 9

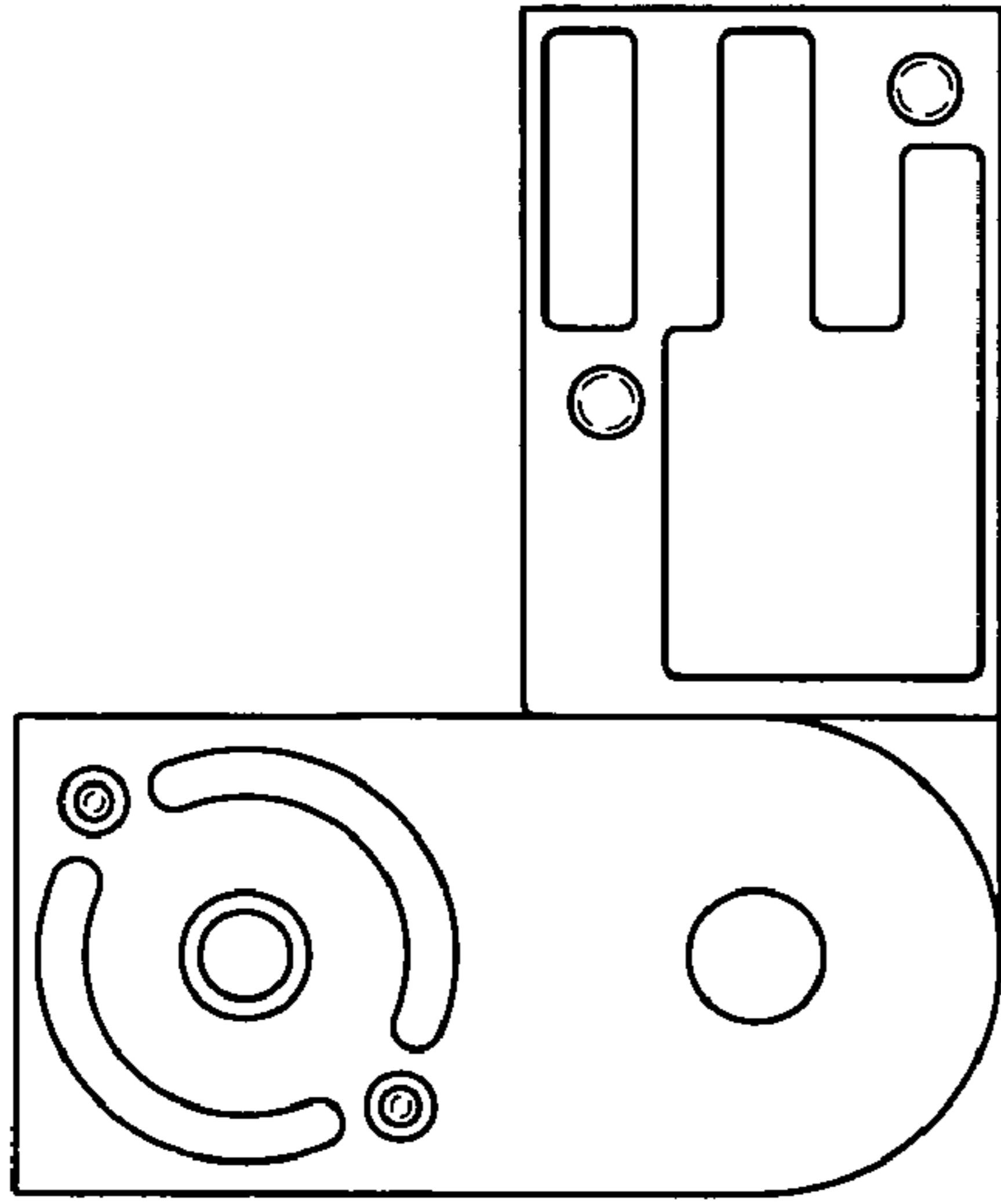


FIG. 10

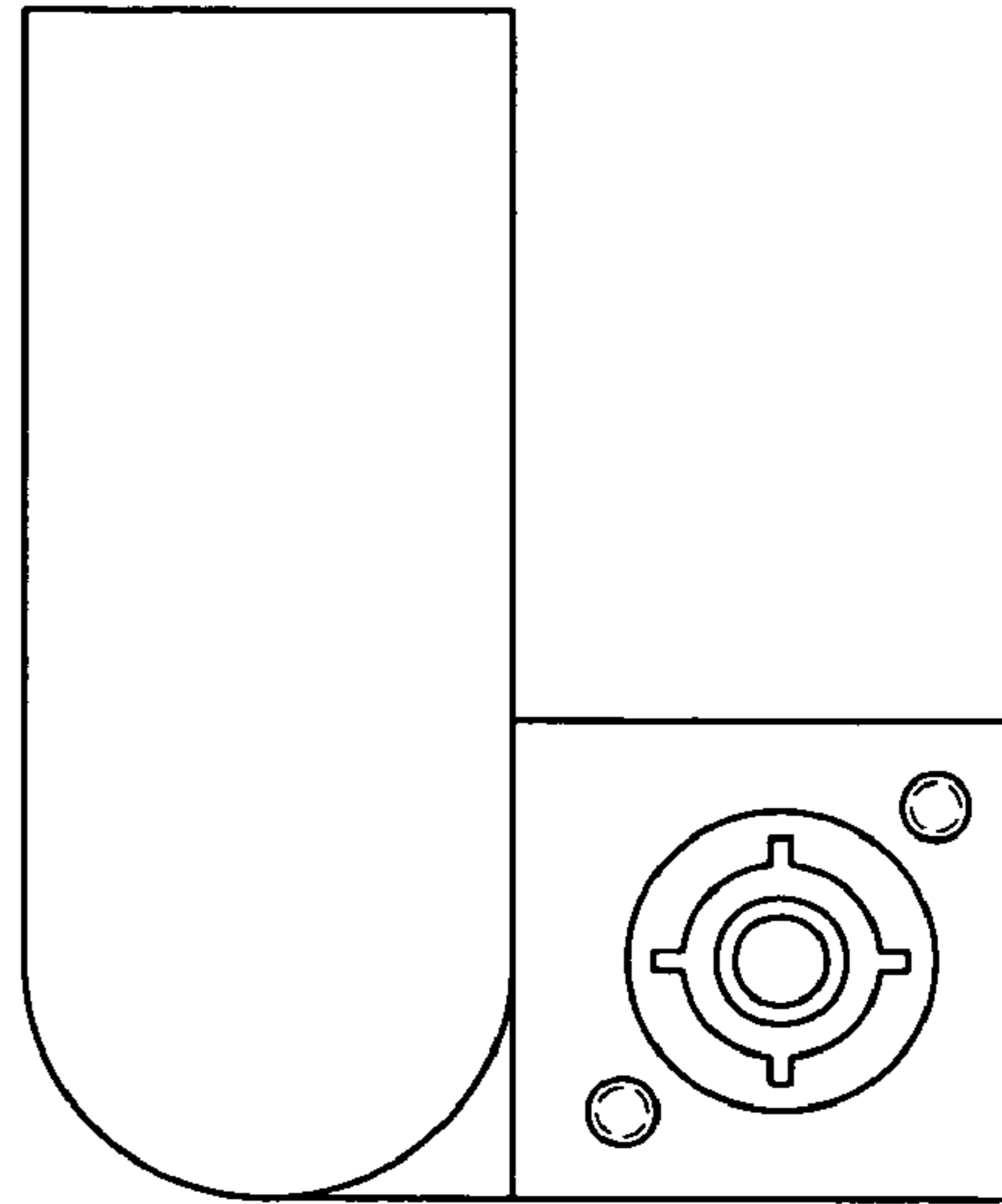


FIG. 11

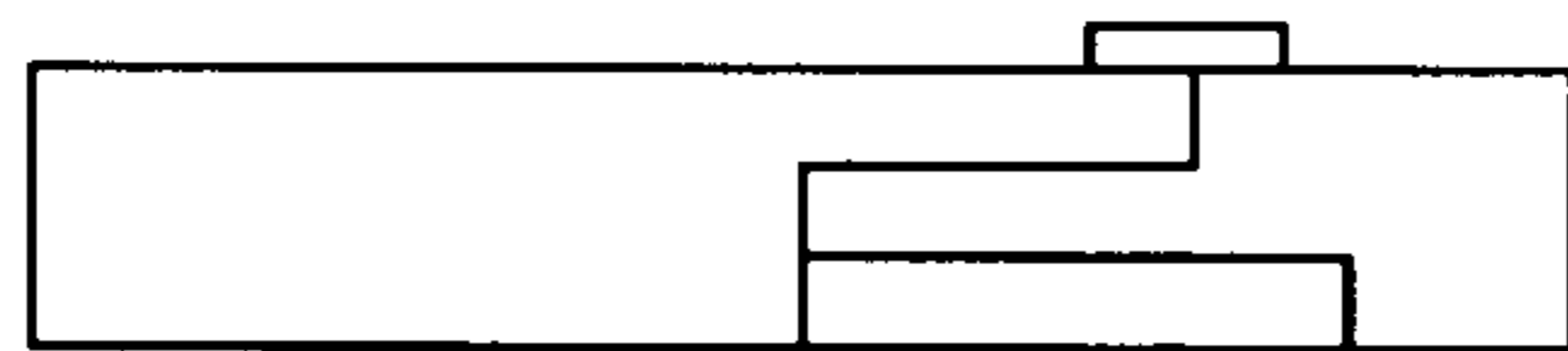


FIG. 12

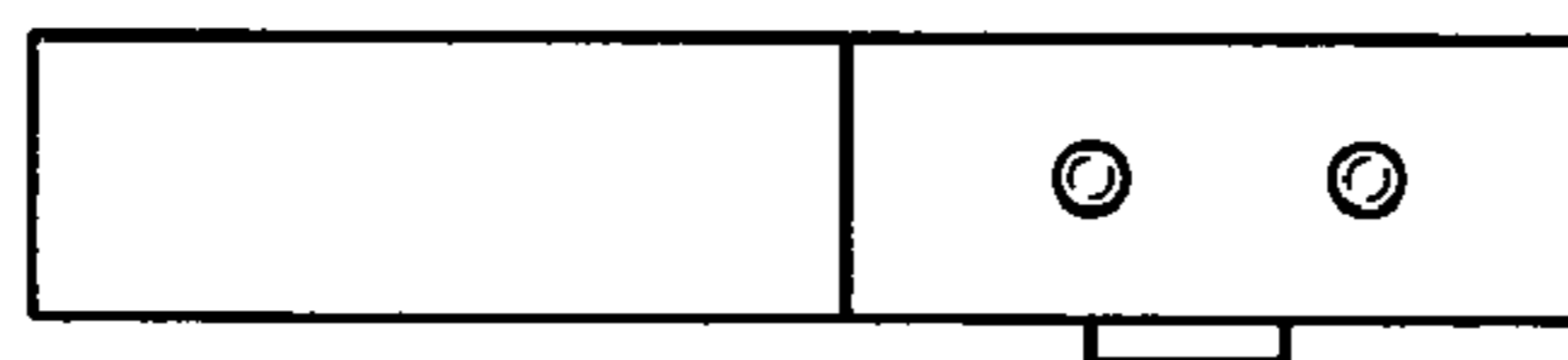


FIG. 13

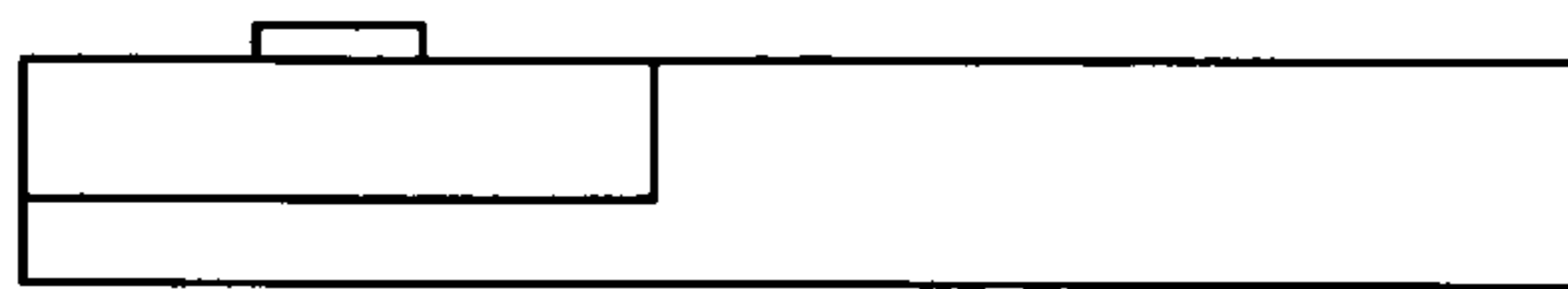


FIG. 14

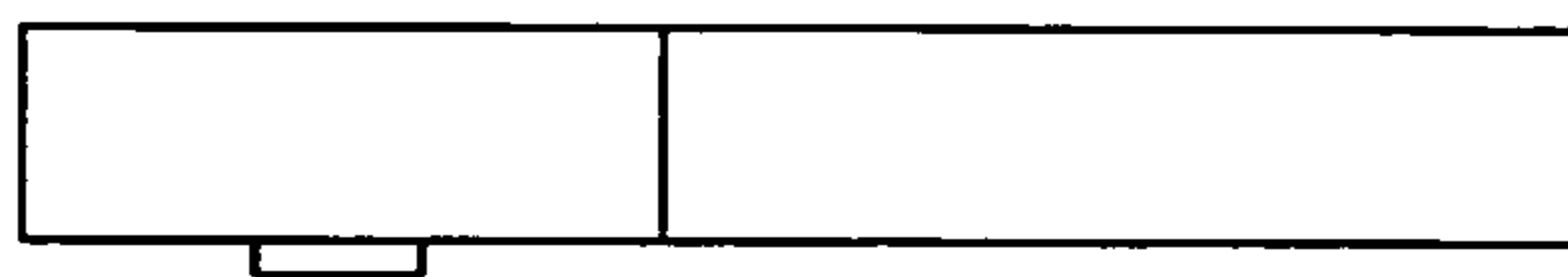


FIG. 15

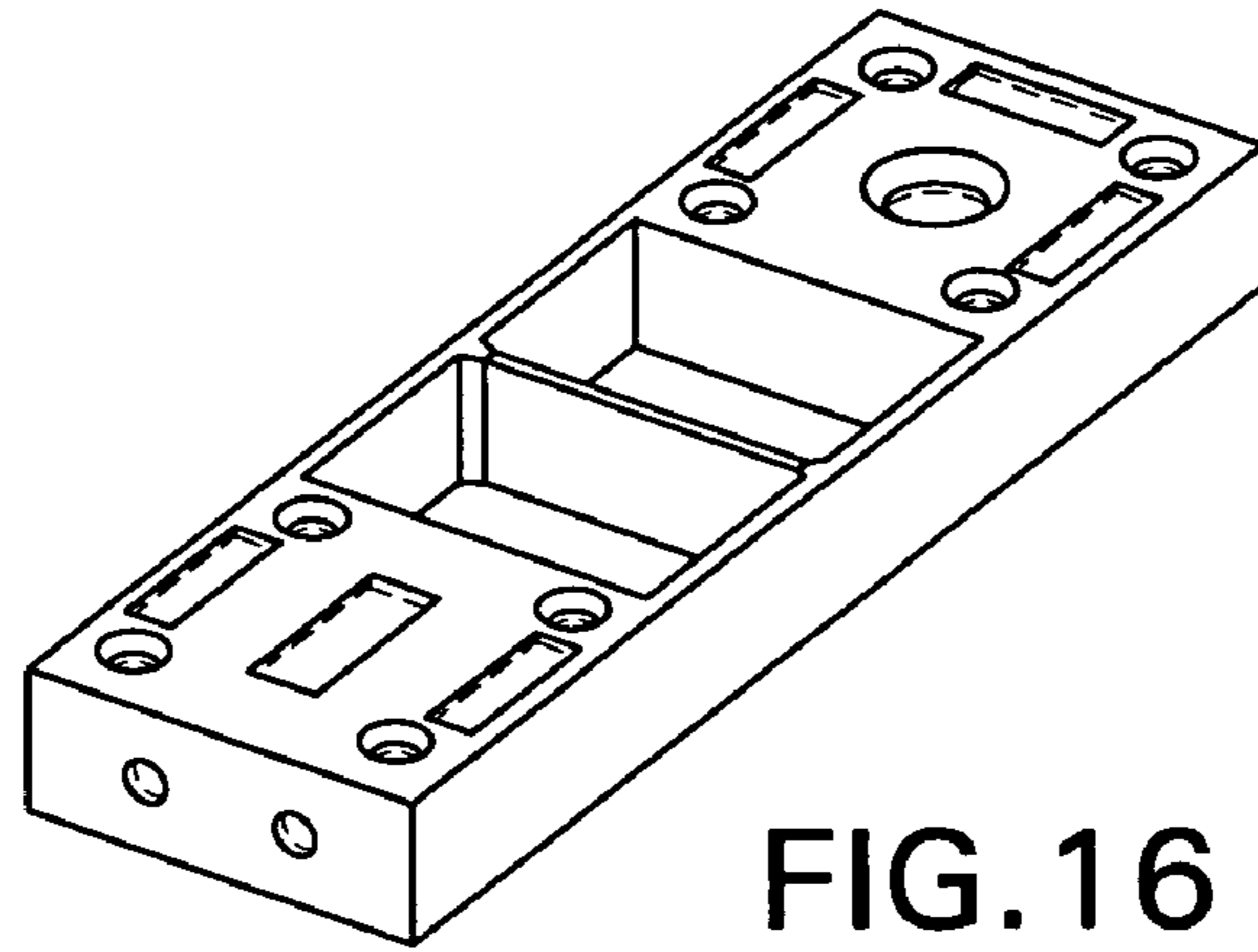


FIG. 16

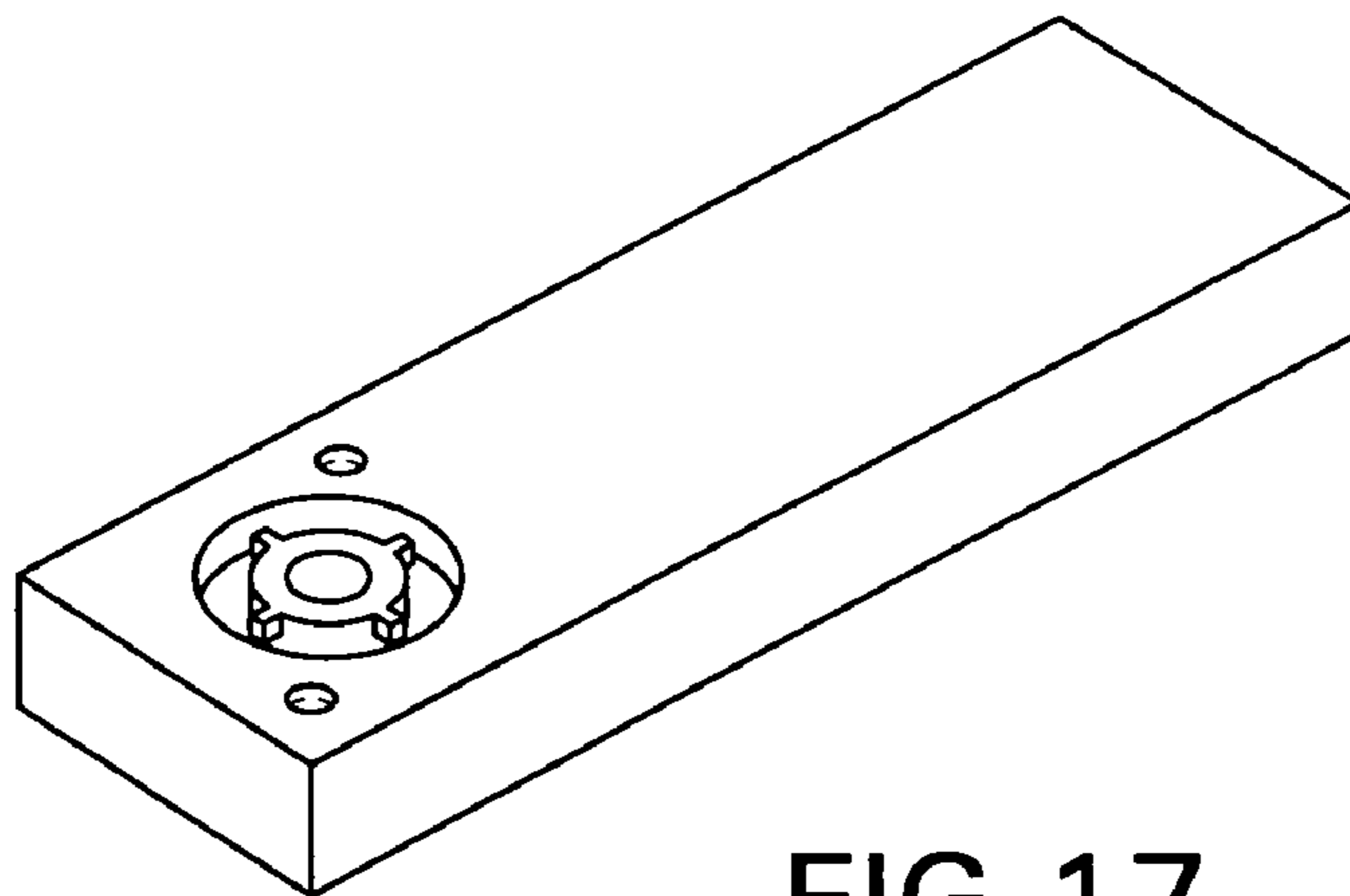


FIG. 17

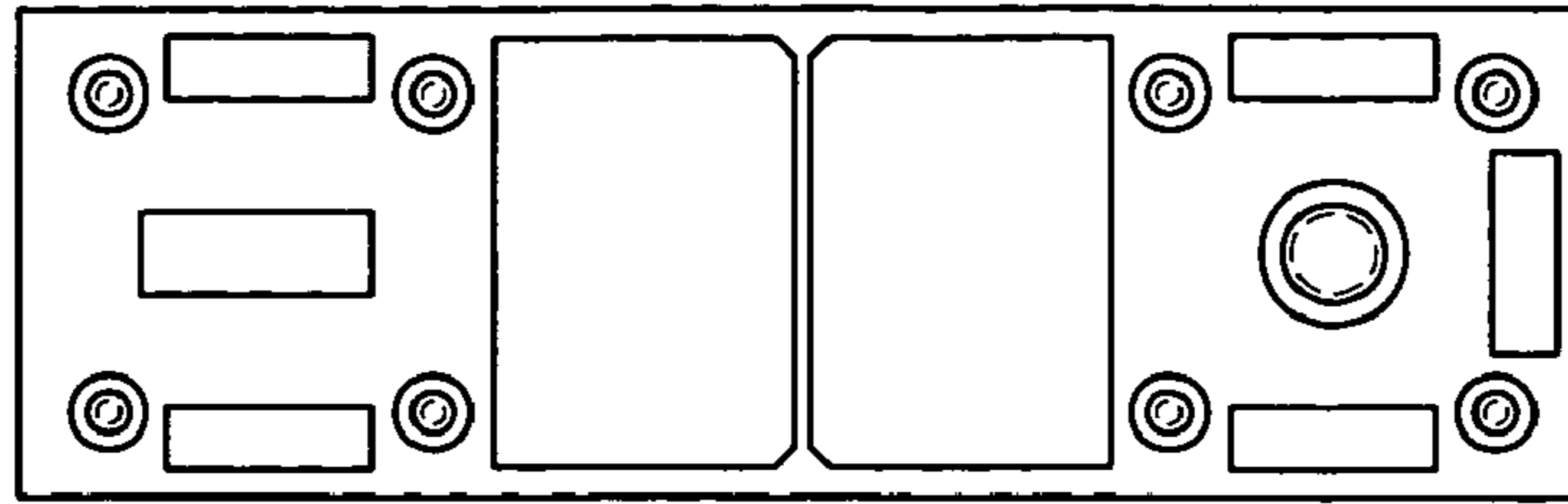


FIG. 18



FIG. 19

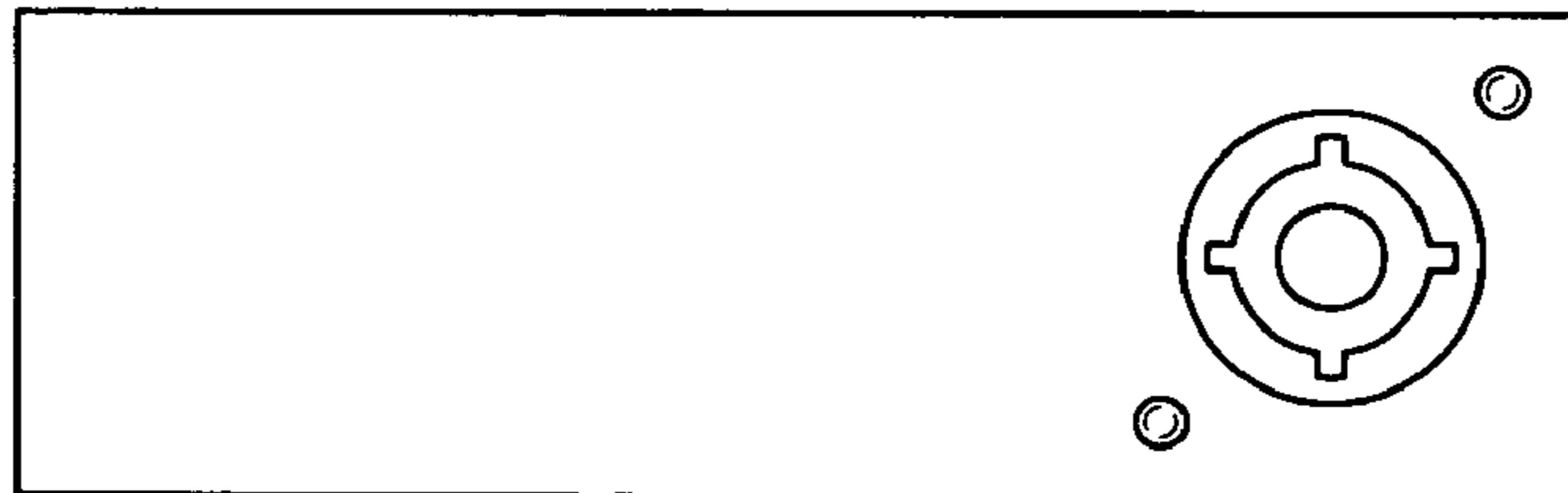


FIG. 20

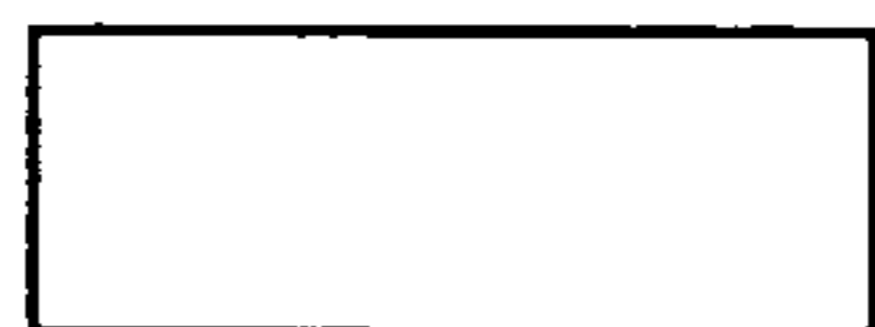


FIG. 21

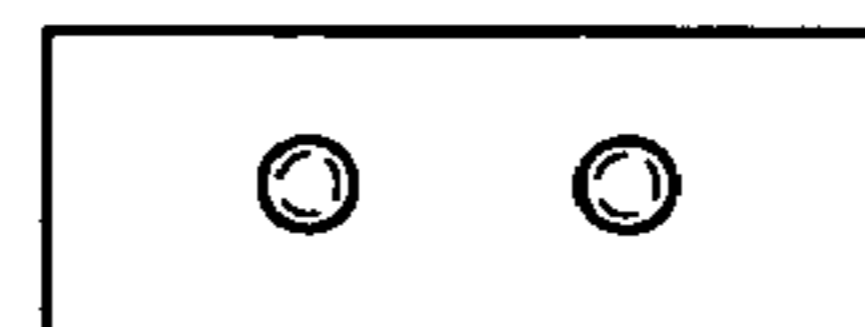


FIG. 22

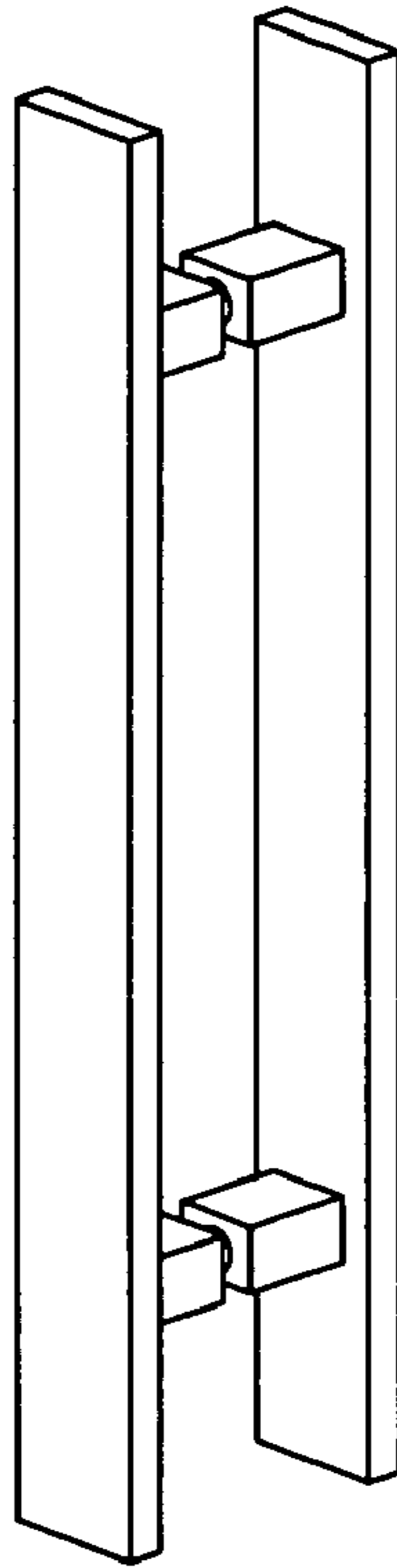


FIG. 23

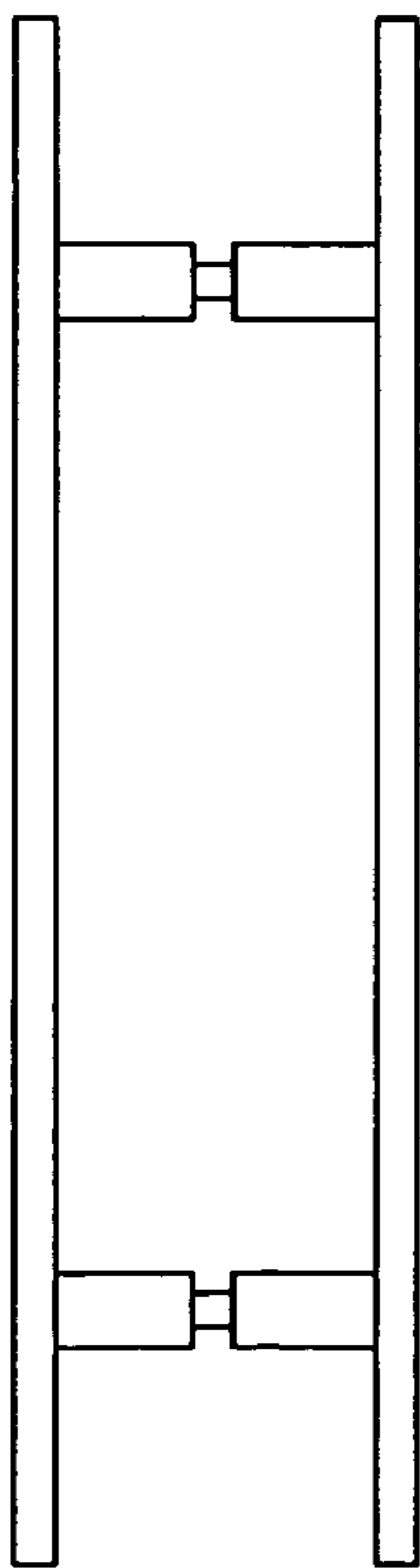


FIG. 24

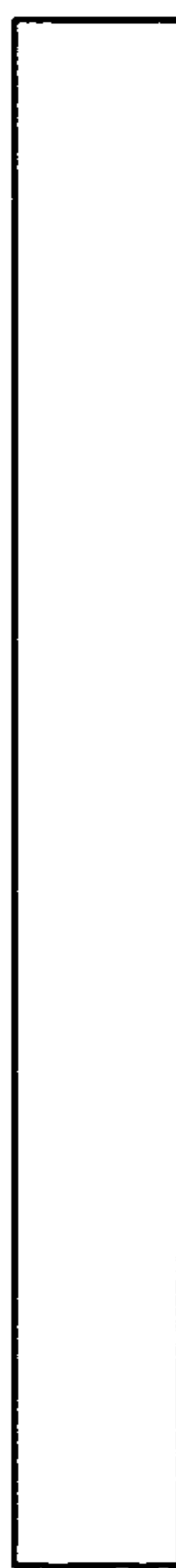


FIG. 25

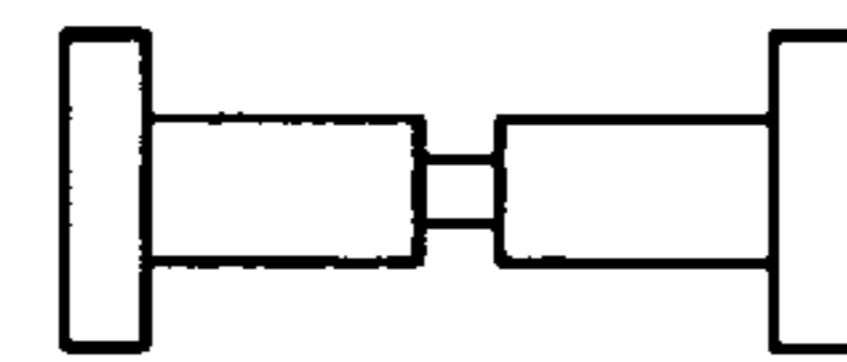


FIG. 26