



US00D593652S

(12) **United States Design Patent**
Thomas et al.

(10) **Patent No.:** **US D593,652 S**
(45) **Date of Patent:** **** Jun. 2, 2009**

(54) **FLUID CONNECTOR**

(75) Inventors: **Kurt Judson Thomas**, Indianapolis, IN (US); **Michael Shane Hughett**, Monrovia, IN (US); **Brian Alan Enlow**, Fishers, IN (US); **Derek Allen Brown**, Lizton, IN (US)

5,622,670 A 4/1997 Rowley
5,741,458 A 4/1998 Rowley
5,756,023 A 5/1998 Stachowiak
5,833,279 A 11/1998 Rowley
5,861,200 A 1/1999 Rowley
5,895,695 A 4/1999 Rowley

(Continued)

(73) Assignee: **Masco Corporation of Indiana**, Indianapolis, IN (US)

(**) Term: **14 Years**

(21) Appl. No.: **29/306,416**

(22) Filed: **Apr. 9, 2008**

Related U.S. Application Data

(63) Continuation-in-part of application No. 29/292,211, filed on Oct. 3, 2007, now Pat. No. Des. 586,447.

(51) **LOC (9) Cl.** **23-02**

(52) **U.S. Cl.** **D23/303**

(58) **Field of Classification Search** D23/213, D23/249, 257, 259, 260, 261, 262, 263, 264, D23/265, 266, 267, 268, 250, 251, 252, 253, D23/254, 255, 256, 238, 239, 240, 241, 242, D23/243, 244, 245, 246, 247, 248; 4/675, 4/676, 677, 678; D8/300, 307, 308, 310, D8/311, 312, 321; D6/550; 137/801; 16/110.01, 16/441; 285/1, 53, 112, 179, 340, 367, 373, 285/404, 915

See application file for complete search history.

(56) **References Cited**

U.S. PATENT DOCUMENTS

4,316,870 A 2/1982 Rowley
4,446,084 A 5/1984 Rowley
4,525,136 A 6/1985 Rowley
4,664,423 A 5/1987 Rowley
4,803,033 A 2/1989 Rowley
5,060,689 A * 10/1991 Csaszar et al. 285/93
5,527,503 A 6/1996 Rowley

OTHER PUBLICATIONS

OateyPEX® by MerFlex®, May 2005, 6 pages, Oatey Company, Cleveland, Ohio.

(Continued)

Primary Examiner—T. Chase Nelson
Assistant Examiner—Michael A Pratt

(74) *Attorney, Agent, or Firm*—Edgar A. Zarins; Nirav D. Parikh

(57) **CLAIM**

The ornamental design for a fluid connector, as shown and described.

DESCRIPTION

FIG. 1 is a perspective view of the fluid connector of the present design application; the break lines in the fluid connector body are shown to indicate that a specific length of fluid connector forms no part of the claimed design;

FIG. 2 is a front elevational view thereof;

FIG. 3 is a rear elevational view thereof;

FIG. 4 is a left side elevational view thereof;

FIG. 5 is a right side elevational view thereof;

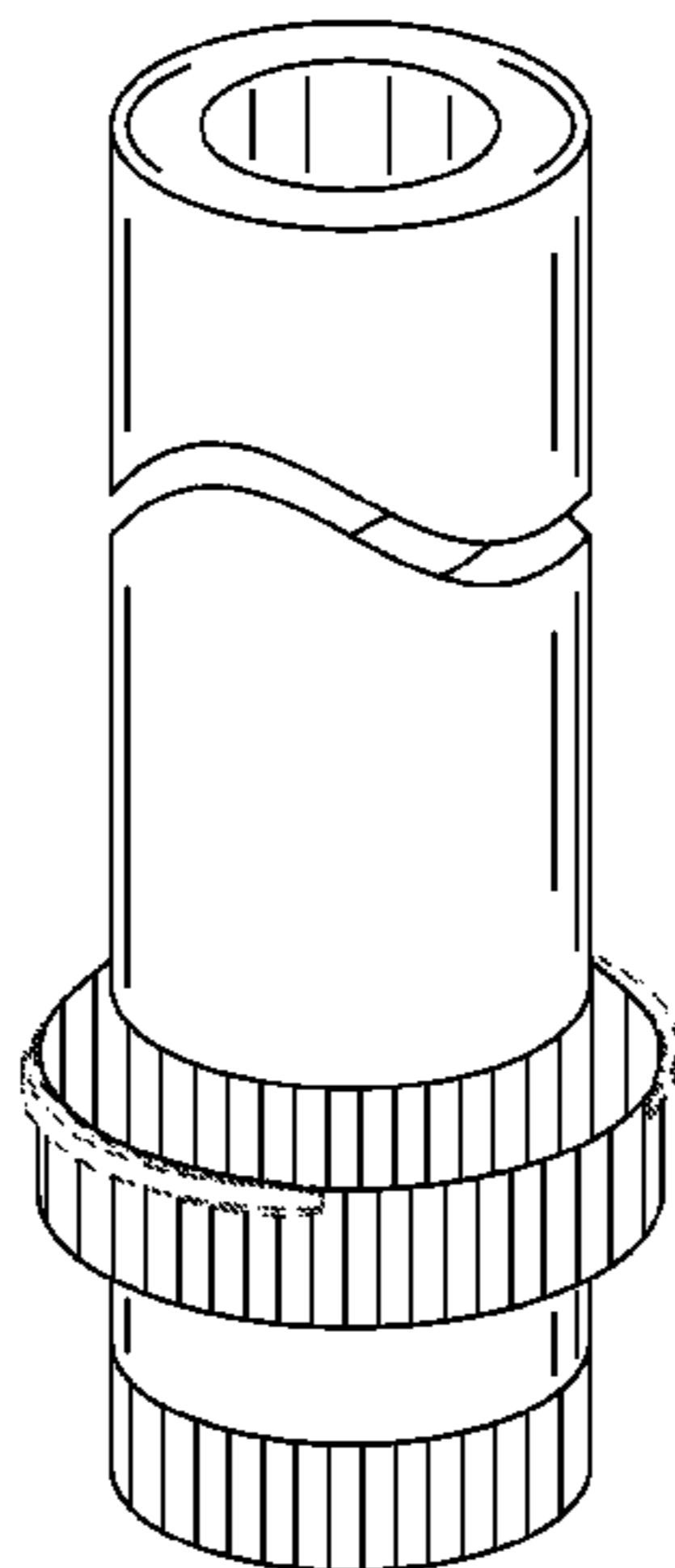
FIG. 6 is a top plan view thereof; and,

FIG. 7 is a bottom plan view thereof.

The figures are lined for the color Red.

The broken line showing of portions of the fluid connector is included for the purpose of illustrating environment and forms no part of the claimed design.

1 Claim, 4 Drawing Sheets



US D593,652 S

Page 2

U.S. PATENT DOCUMENTS

5,964,484 A * 10/1999 Bartholomew 285/319
6,012,743 A 1/2000 Godeau et al.
6,070,916 A 6/2000 Rowley
6,082,780 A 7/2000 Rowley et al.
6,270,125 B1 8/2001 Rowley et al.
6,287,501 B1 9/2001 Rowley
6,485,666 B1 11/2002 Rowley
6,557,907 B2 5/2003 Rowley
6,672,628 B2 1/2004 Thomas et al.
6,783,160 B2 8/2004 Rowley
6,838,041 B2 1/2005 Rowley
6,848,719 B2 2/2005 Rowley
6,860,524 B1 3/2005 Rowley
6,902,210 B1 6/2005 Rowley
7,213,845 B2 5/2007 Sato et al.
7,252,117 B1 8/2007 Glenn

2002/0100139 A1 8/2002 Rowley
2004/0080160 A1* 4/2004 Rief 285/276
2004/0150132 A1 8/2004 Rowley
2006/0082145 A1* 4/2006 Steveley 285/305
2006/0108705 A1 5/2006 Rowley
2006/0145475 A1* 7/2006 Walker et al. 285/319
2006/0170134 A1 8/2006 Rowley et al.
2007/0271695 A1 11/2007 Thomas et al.
2008/0178950 A1 7/2008 Marty et al.
2008/0178957 A1 7/2008 Thomas et al.

OTHER PUBLICATIONS

Anchor end fitting, at least as early as Oct. 3, 2007.
BrassCraft® INNOFLEX™ brochure, "Bathroom beauty now comes uncoiled. Flexible, Durable, Beautiful," Apr. 2007, 4 pgs.

* cited by examiner

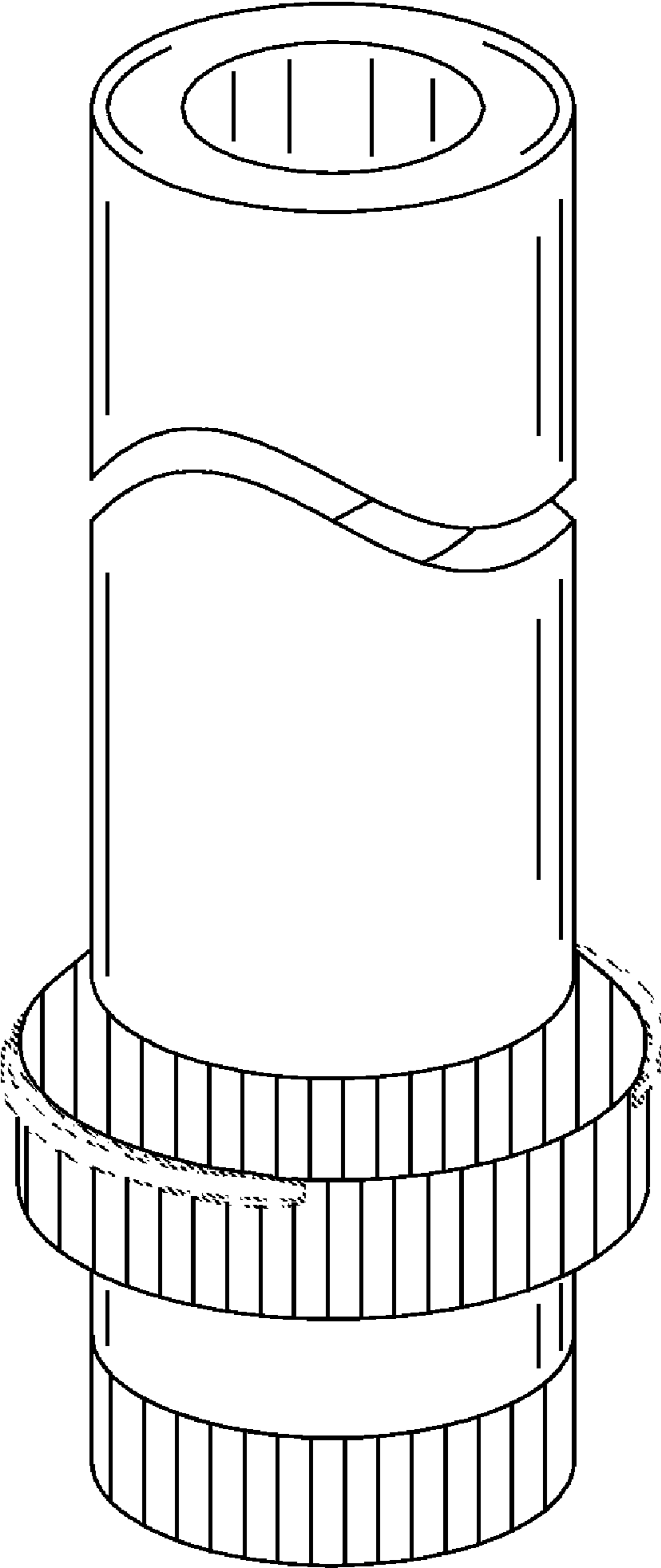


FIG. 1

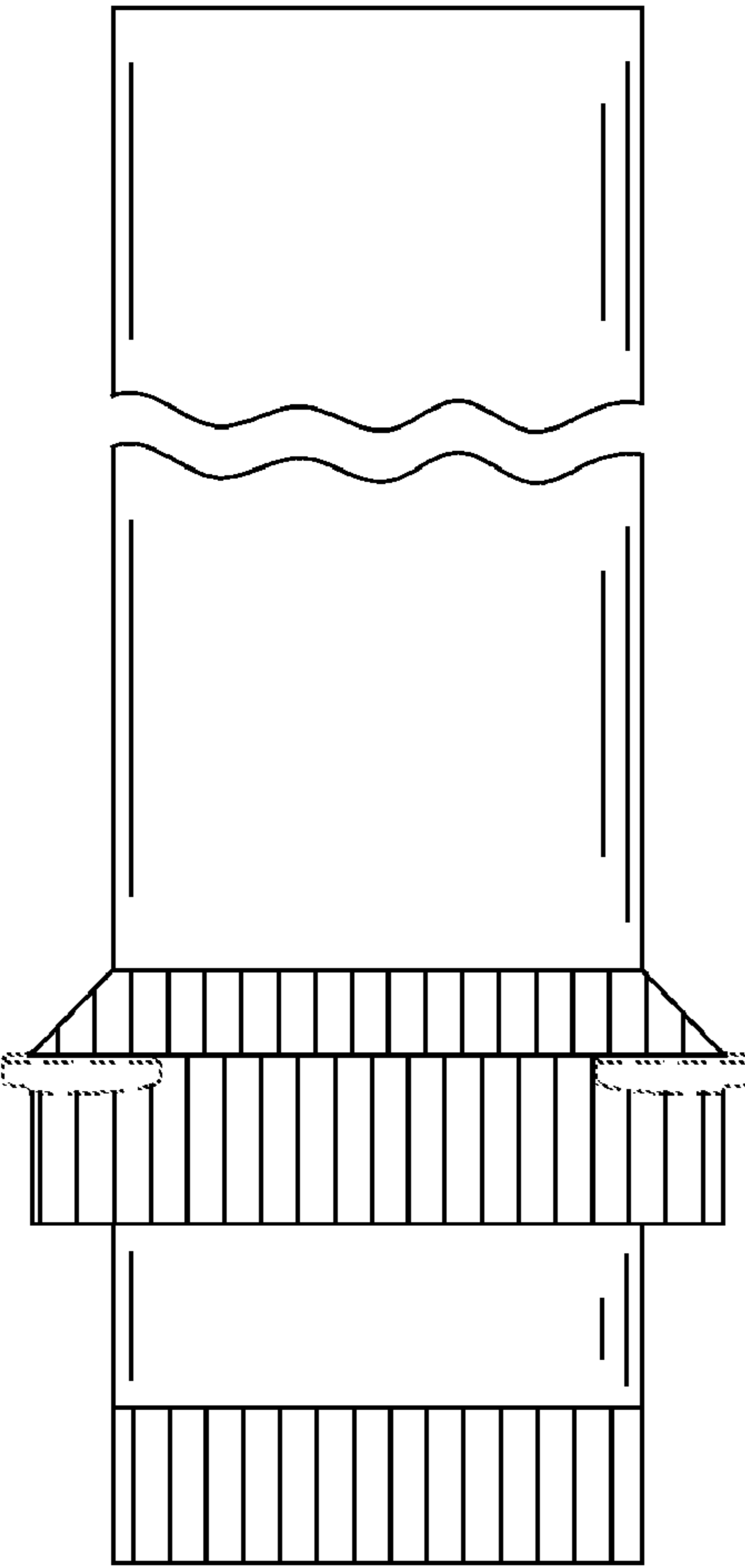


FIG. 2

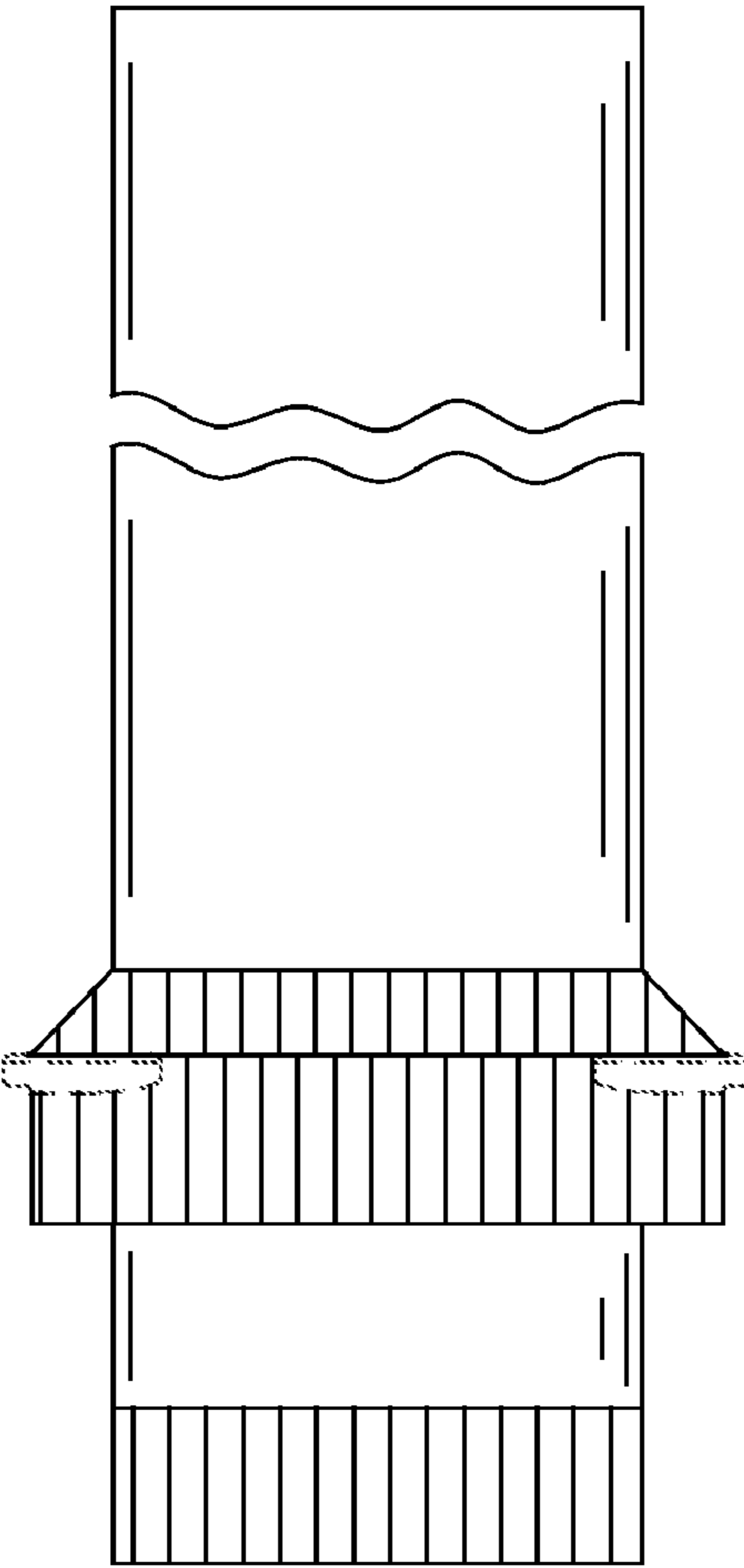


FIG. 3

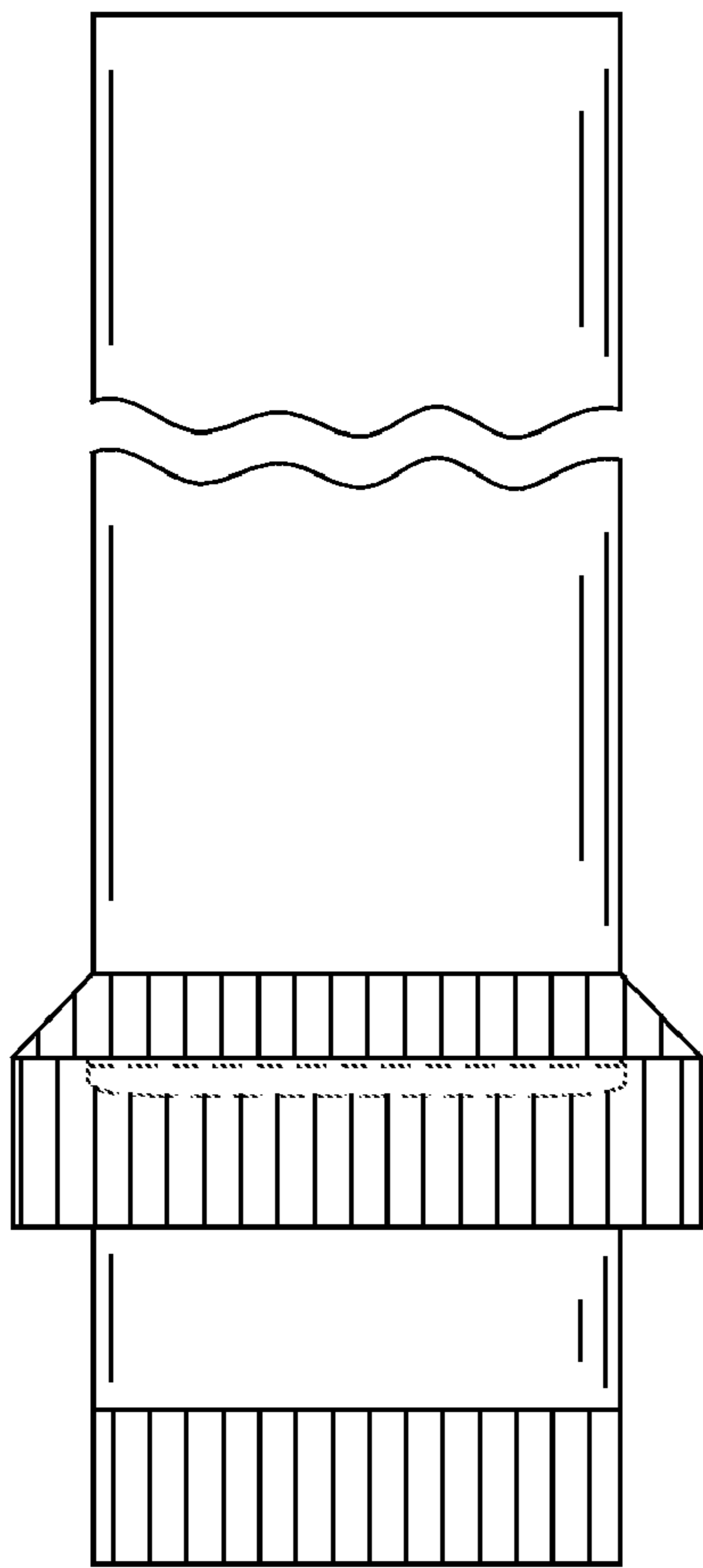


FIG. 4

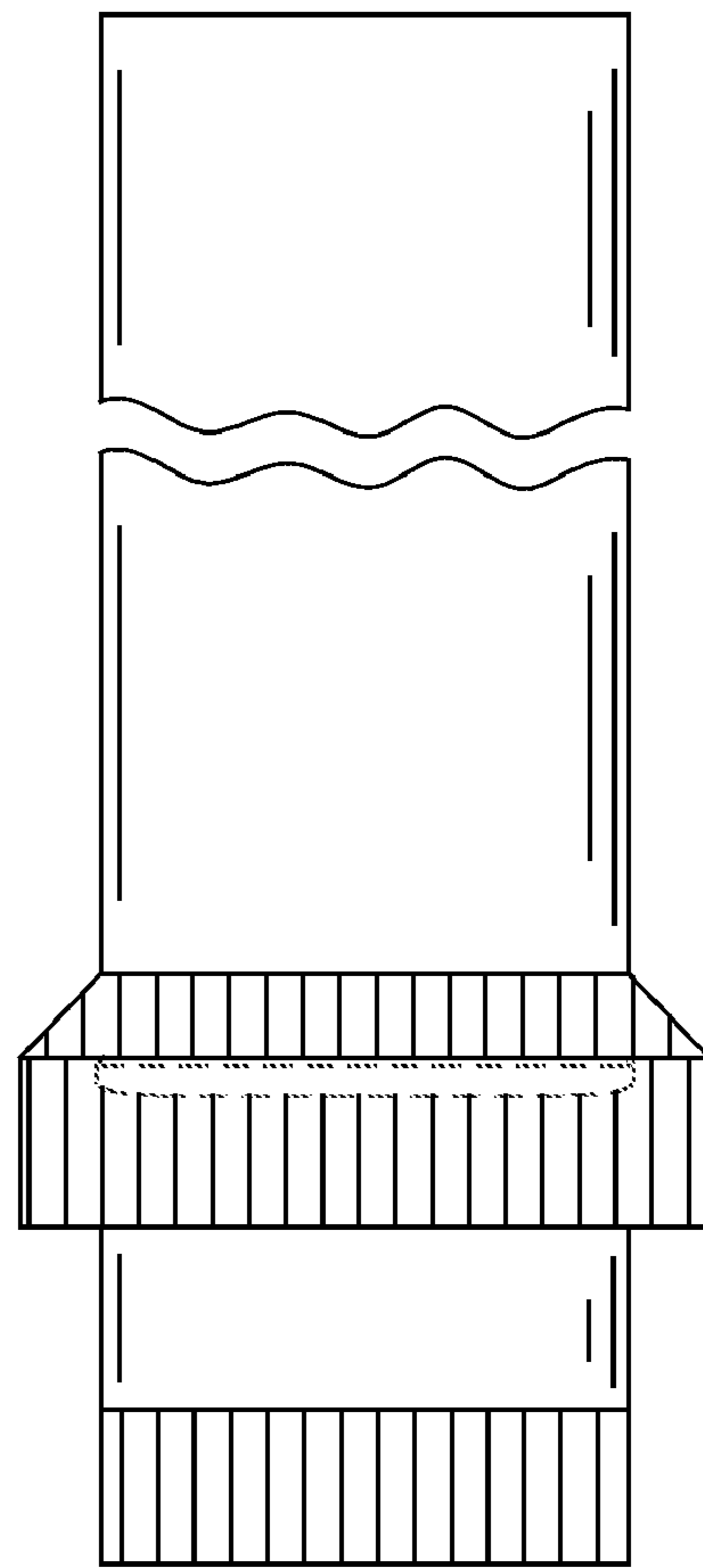


FIG. 5

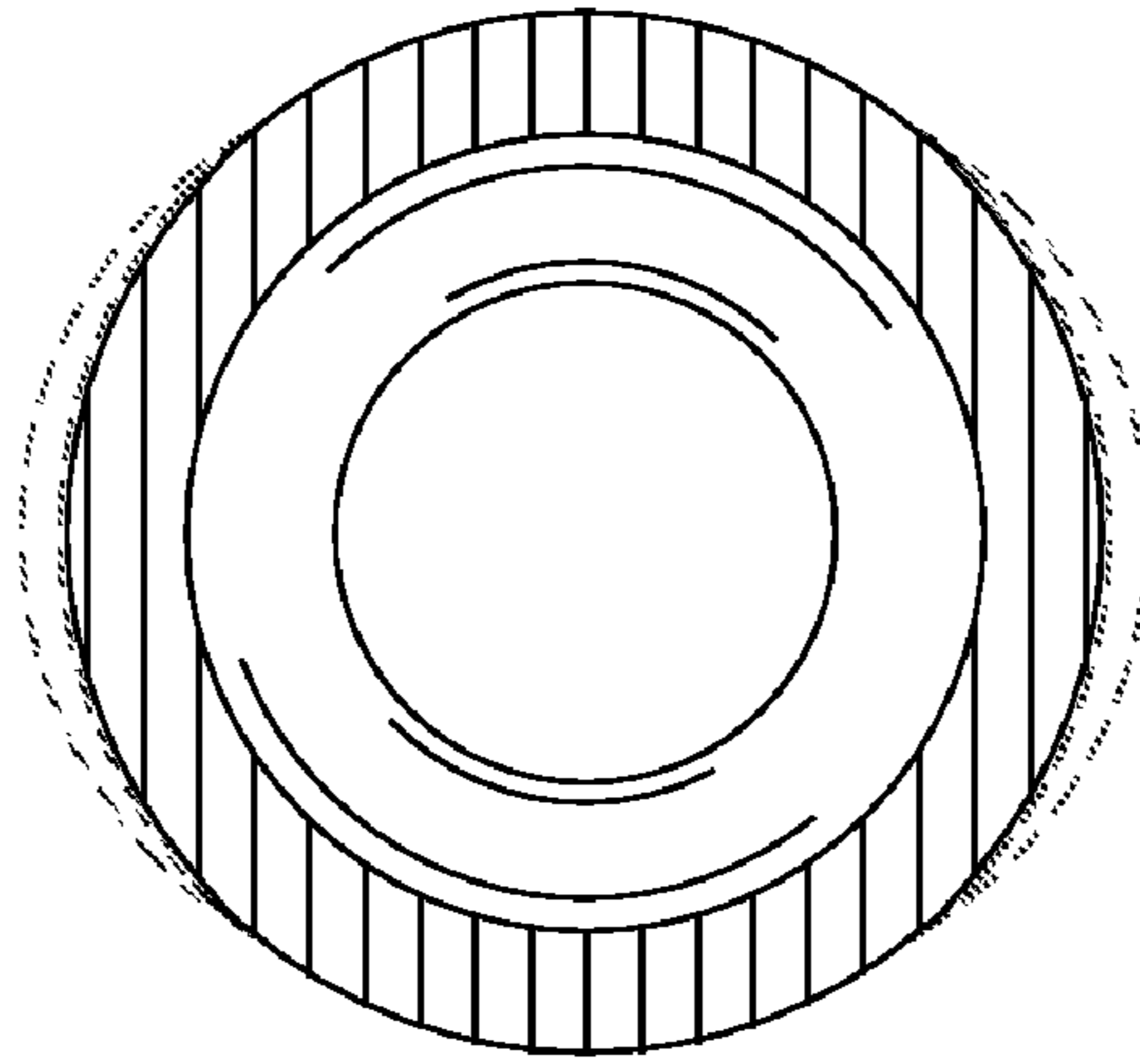


FIG. 6

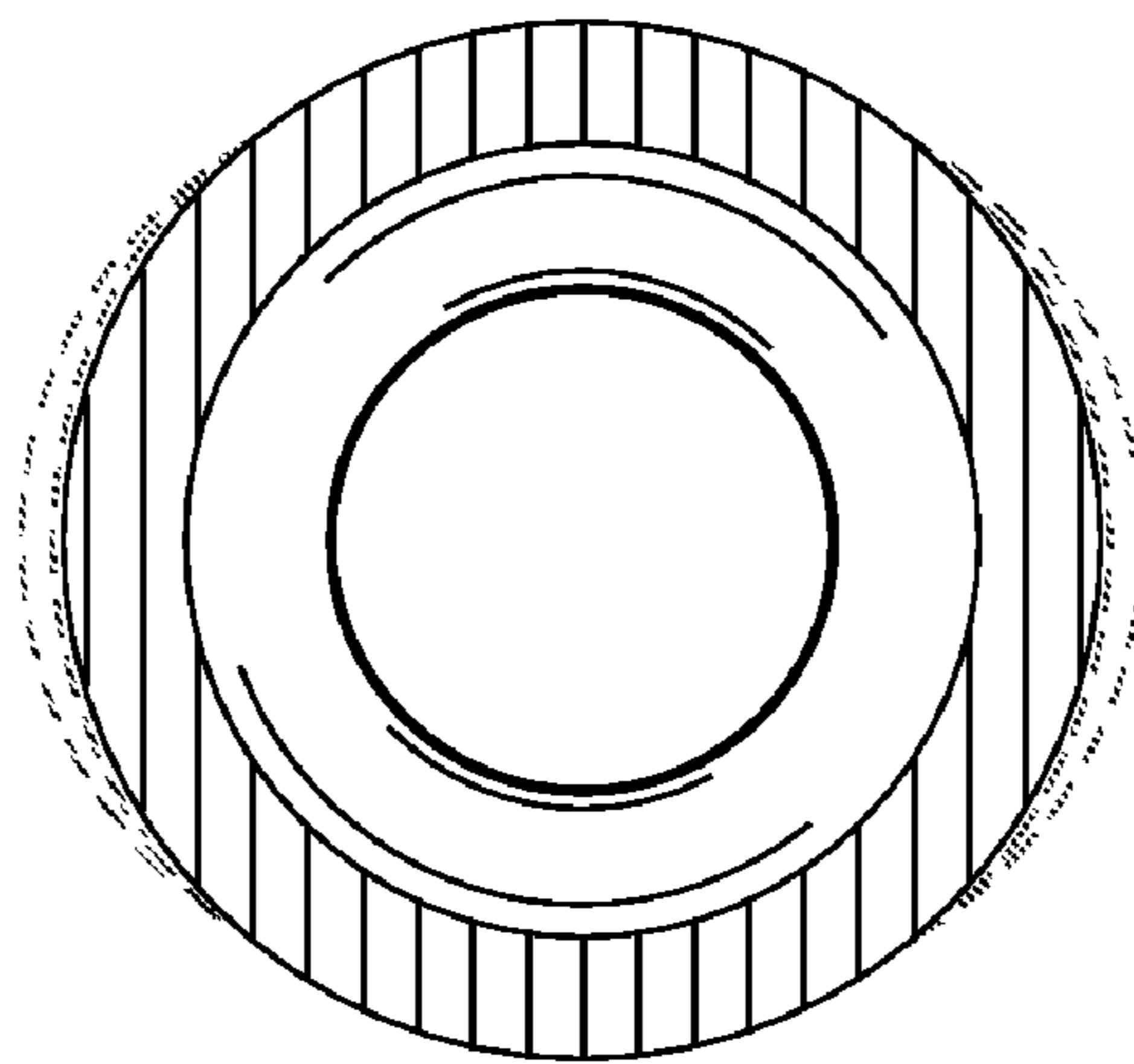


FIG. 7