



US00D593645S

(12) **United States Design Patent**  
**Bock et al.**

(10) **Patent No.:** **US D593,645 S**  
(45) **Date of Patent:** **\*\* Jun. 2, 2009**

(54) **COMMERCIAL AIRCRAFT PASSENGER CABIN LAVATORY AND ELEMENTS THEREOF**

(75) Inventors: **Thomas-Mathias Bock**, Grenade sur Garonne (FR); **Torsten Jaunich**, Fulda (DE); **Tobias Schmidt-Schaeffer**, Munich (DE)

(73) Assignee: **Airbus SAS**, Blagnac Cedex (FR)

(\*\*) Term: **14 Years**

(21) Appl. No.: **29/281,125**

(22) Filed: **Jun. 15, 2007**

(51) **LOC (9) Cl.** ..... **23-02**

(52) **U.S. Cl.** ..... **D23/271**

(58) **Field of Classification Search** ..... D23/270–274, D23/286, 299, 275, 279, 303, 308–309; D25/138, D25/16; D6/397–398, 429–430, 433, 437, D6/439, 443–444, 446, 509–510; D12/345, D12/319; 4/662–665, 420, 449, 460, 483, 4/619, 661, 670, 210, DIG. 15; 114/189; 244/118.5; 49/40

See application file for complete search history.

(56) **References Cited**

**U.S. PATENT DOCUMENTS**

371,084	A	*	10/1887	Mann	.....	D23/286
D168,317	S	*	12/1952	Rothenstein	.....	D23/271
D265,957	S	*	8/1982	Wolf et al.	.....	D6/446
5,150,863	A	*	9/1992	Hozumi	.....	D12/345
D340,536	S	*	10/1993	Adolfsson	.....	D25/138
D341,274	S	*	11/1993	van den Nieuwelaar	.....	D6/433

(Continued)

**OTHER PUBLICATIONS**

U.S. Appl. No. 29/281,128. Title: Commercial Aircraft Passenger Cabin Lavatory And Elements Thereof, filed Jun. 15, 2007.

*Primary Examiner*—Robert A Delehanty

(74) *Attorney, Agent, or Firm*—Osler, Hoskin & Harcourt LLP

(57) **CLAIM**

The ornamental design of a commercial aircraft passenger cabin lavatory and elements thereof, as shown and described.

**DESCRIPTION**

FIG. 1 is a top plan view showing a commercial aircraft passenger cabin lavatory according to a first embodiment of my design, with elements removed for clarity;

FIG. 2 is a perspective view thereof, taken from a front, right side, with elements removed for clarity;

FIG. 3 is a left side elevation view thereof, with elements removed for clarity;

FIG. 4 is a front elevation view thereof, with elements removed for clarity;

FIG. 5 is a right side elevation view thereof, with elements removed for clarity;

FIG. 6 is a rear elevation view thereof, with elements removed for clarity;

FIG. 7 is a top plan view showing a commercial aircraft passenger cabin lavatory showing the shelf in an alternate position of use, with elements removed for clarity;

FIG. 8 is a top plan view showing a commercial aircraft passenger cabin lavatory according to a second embodiment of our design, with elements removed for clarity;

FIG. 9 is a perspective view thereof, taken from a front, left side, with elements removed for clarity;

FIG. 10 is a perspective view thereof, taken from a rear, left side with elements removed for clarity;

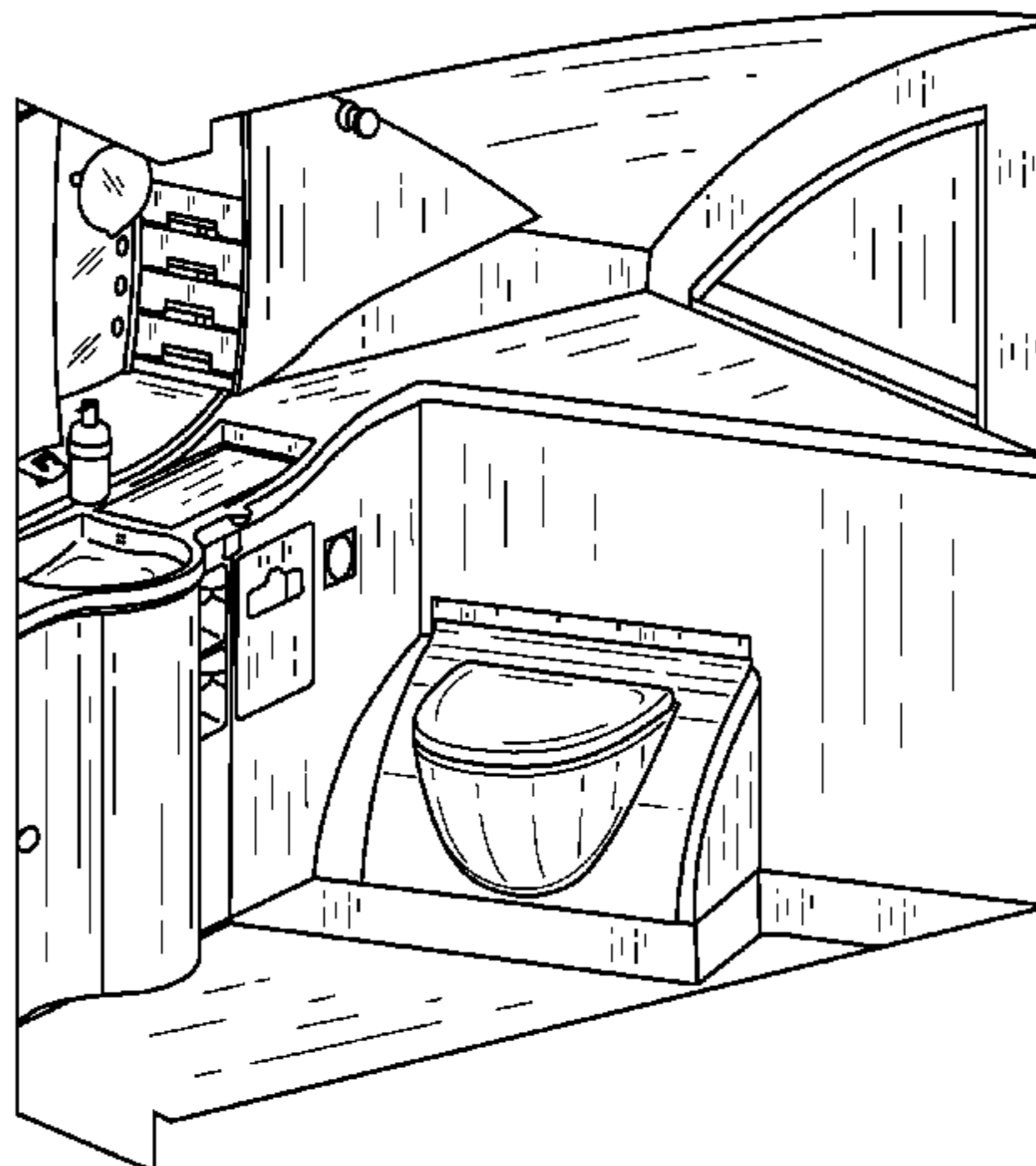
FIG. 11 is a right side elevational view thereof, with elements removed for clarity;

FIG. 12 is a rear elevational view thereof, with elements removed for clarity;

FIG. 13 is a front elevational view thereof, with elements removed for clarity; and,

FIG. 14 is a perspective view thereof, taken from a rear, left side, with elements removed for clarity.

**1 Claim, 14 Drawing Sheets**



# US D593,645 S

Page 2

---

## U.S. PATENT DOCUMENTS

D378,533 S \* 3/1997 Wolff ..... D6/510  
D384,265 S \* 9/1997 Saravis ..... D6/446  
D470,228 S \* 2/2003 Wheeler, III ..... D23/274  
6,615,421 B2 \* 9/2003 Itakura ..... 4/664  
D486,207 S \* 2/2004 Itakura ..... D23/274  
D486,565 S \* 2/2004 Itakura ..... D23/274  
D487,137 S \* 2/2004 Itakura ..... D23/274  
D511,205 S \* 11/2005 Loberger et al. .... D23/308  
D519,763 S \* 5/2006 Larger et al. .... D6/503  
7,100,872 B2 \* 9/2006 Quan ..... 244/118.5  
D533,129 S \* 12/2006 Guard et al. .... D12/345  
7,284,287 B2 \* 10/2007 Cooper et al. .... 4/664  
D583,917 S \* 12/2008 Bock et al. .... D23/295

## OTHER PUBLICATIONS

U.S. Appl. No. 29/281,132. Title: Countertop For A Commercial Aircraft Passenger Cabin Lavatory, filed Jun. 15, 2007.

U.S. Appl. No. 29/281,134. Title: Toilet For A Commercial Aircraft Passenger Cabin Lavatory, filed Jun. 15, 2007.

U.S. Appl. No. 29/281,130. Title: Cabinet For A Commercial Aircraft Passenger Cabin Lavatory, filed Jun. 15, 2007.

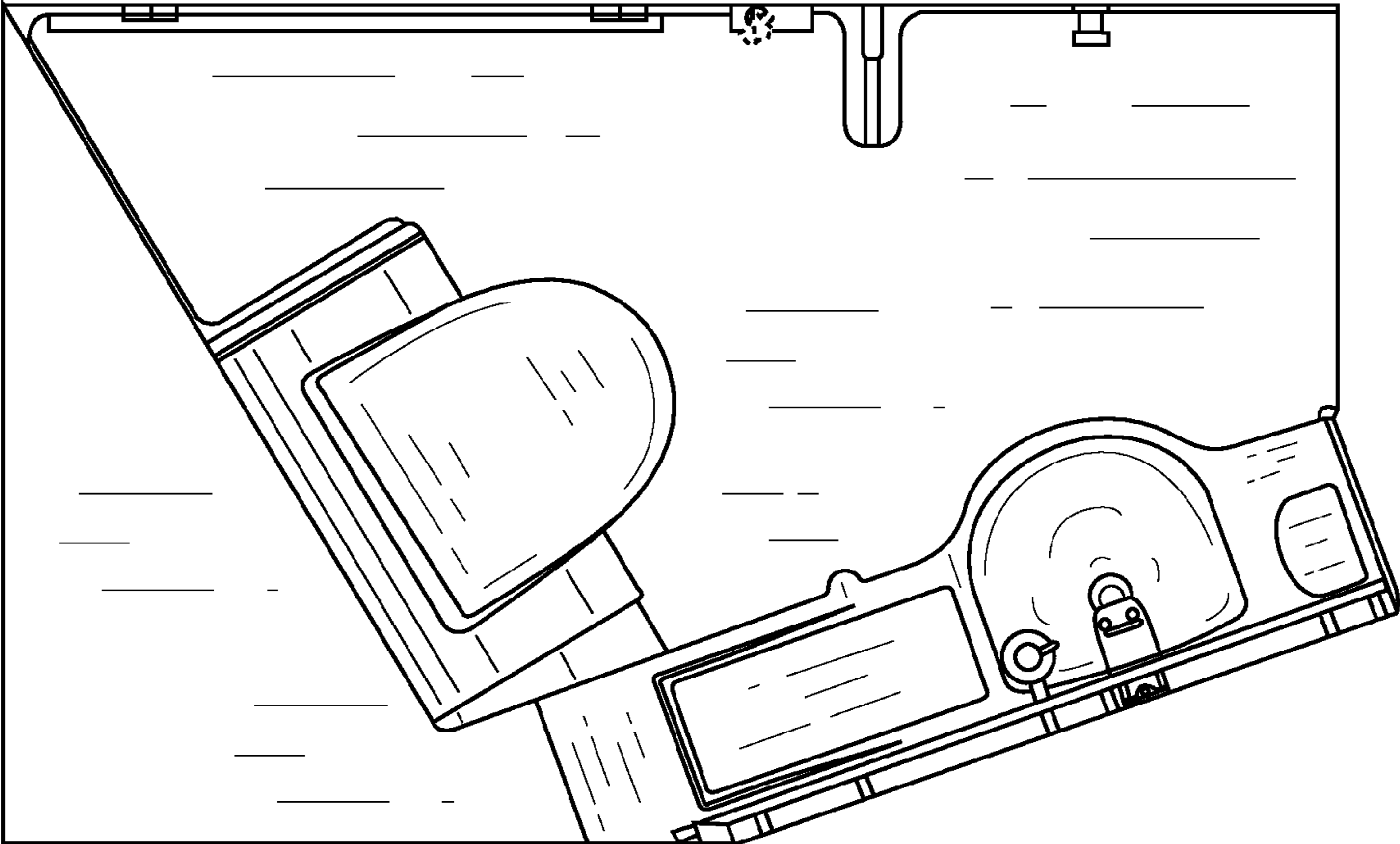
U.S. Appl. No. 29/281,133. Title: Mirror For A Commercial Aircraft Passenger Cabin Lavatory, filed Jun. 15, 2007.

U.S. Appl. No. 29/281,120. Title: Commercial Aircraft Passenger Cabin Lavatory And Elements Thereof, filed Jun. 15, 2007.

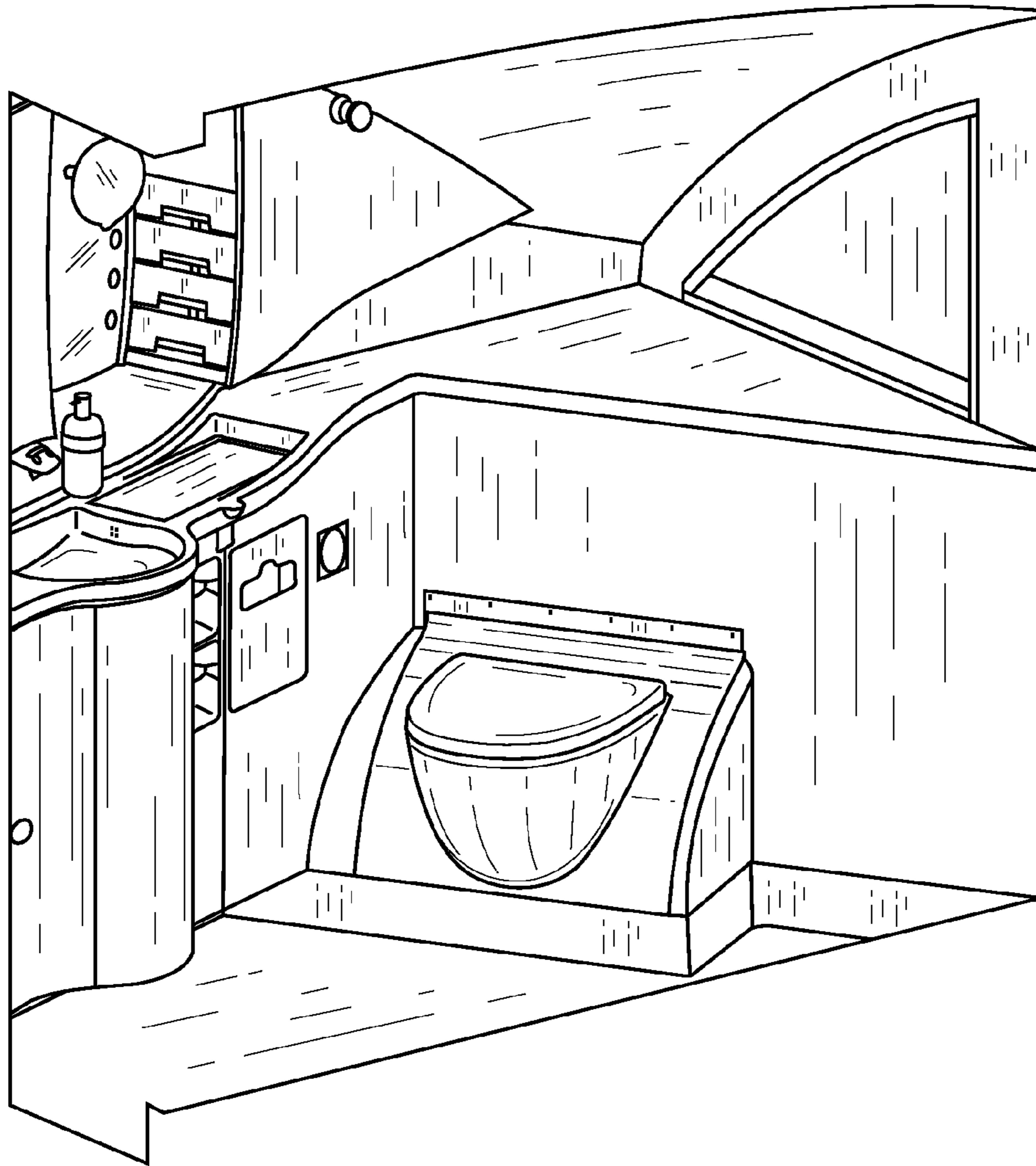
U.S. Appl. No. 29/281,122. Title: Commercial Aircraft Passenger Cabin Lavatory And Elements Thereof, filed Jun. 15, 2007.

U.S. Appl. No. 29/281,129. Title: Commercial Aircraft Passenger Cabin Lavatory And Elements Thereof, filed Jun. 15, 2007.

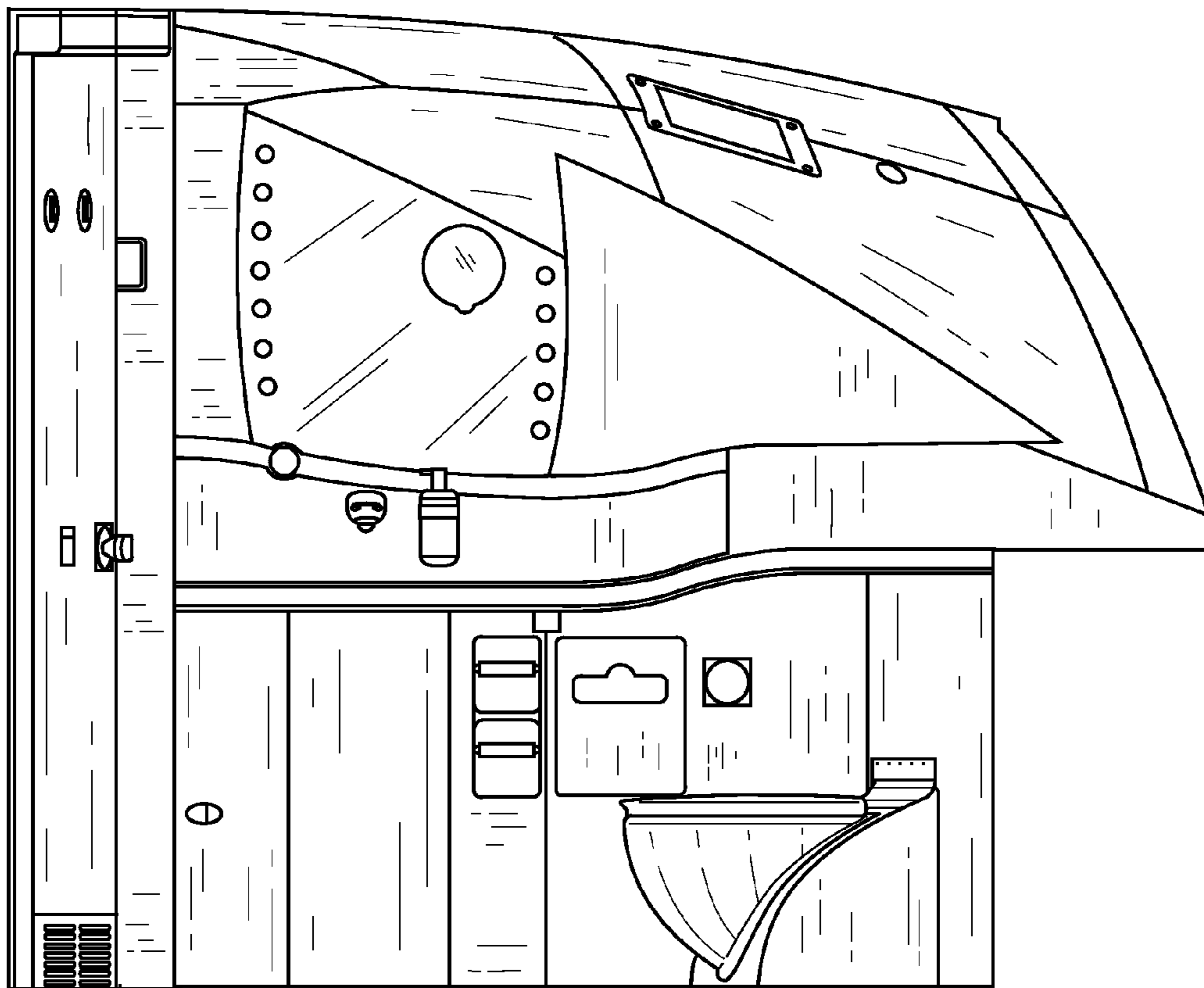
\* cited by examiner



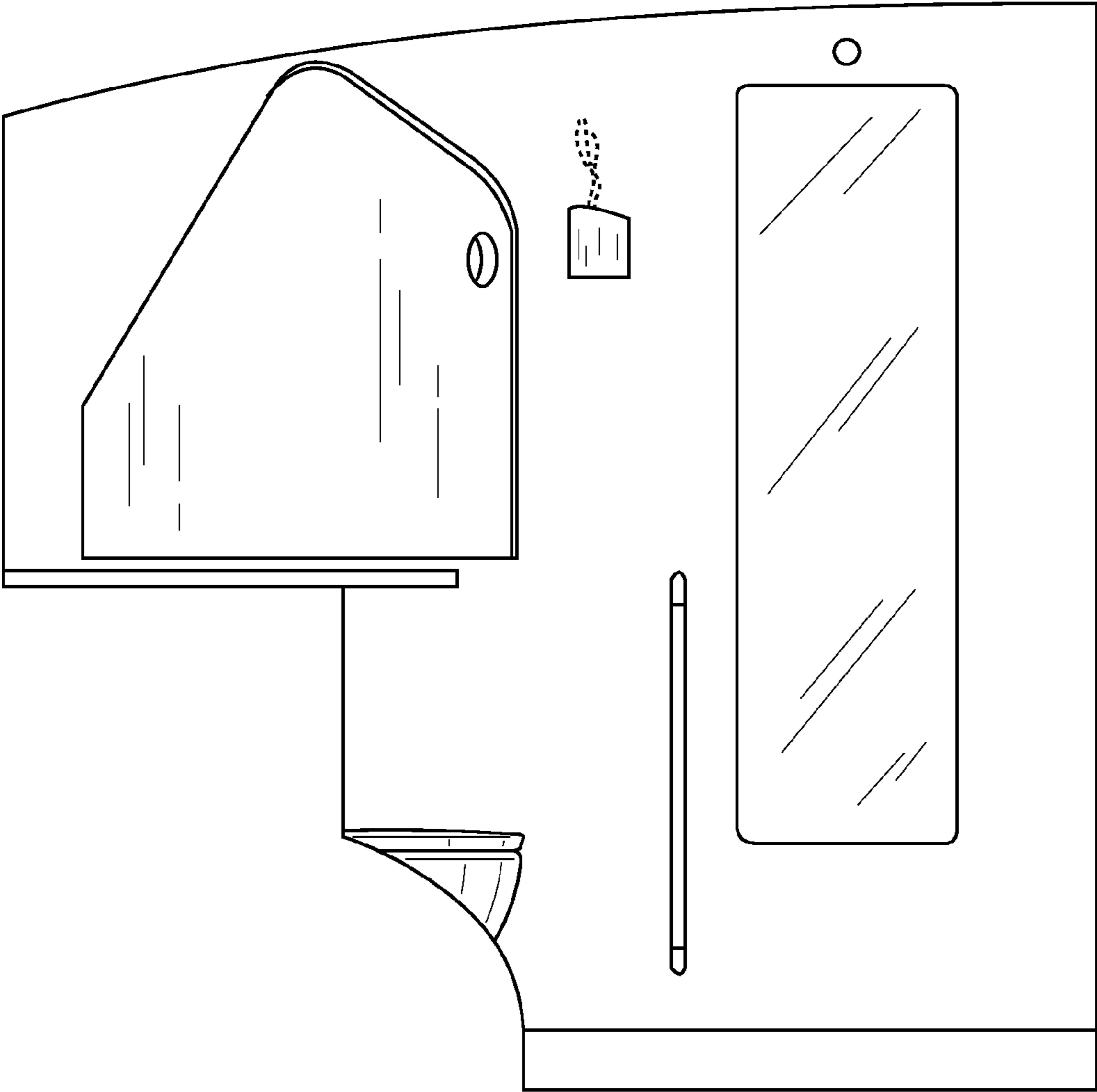
**FIG. 1**



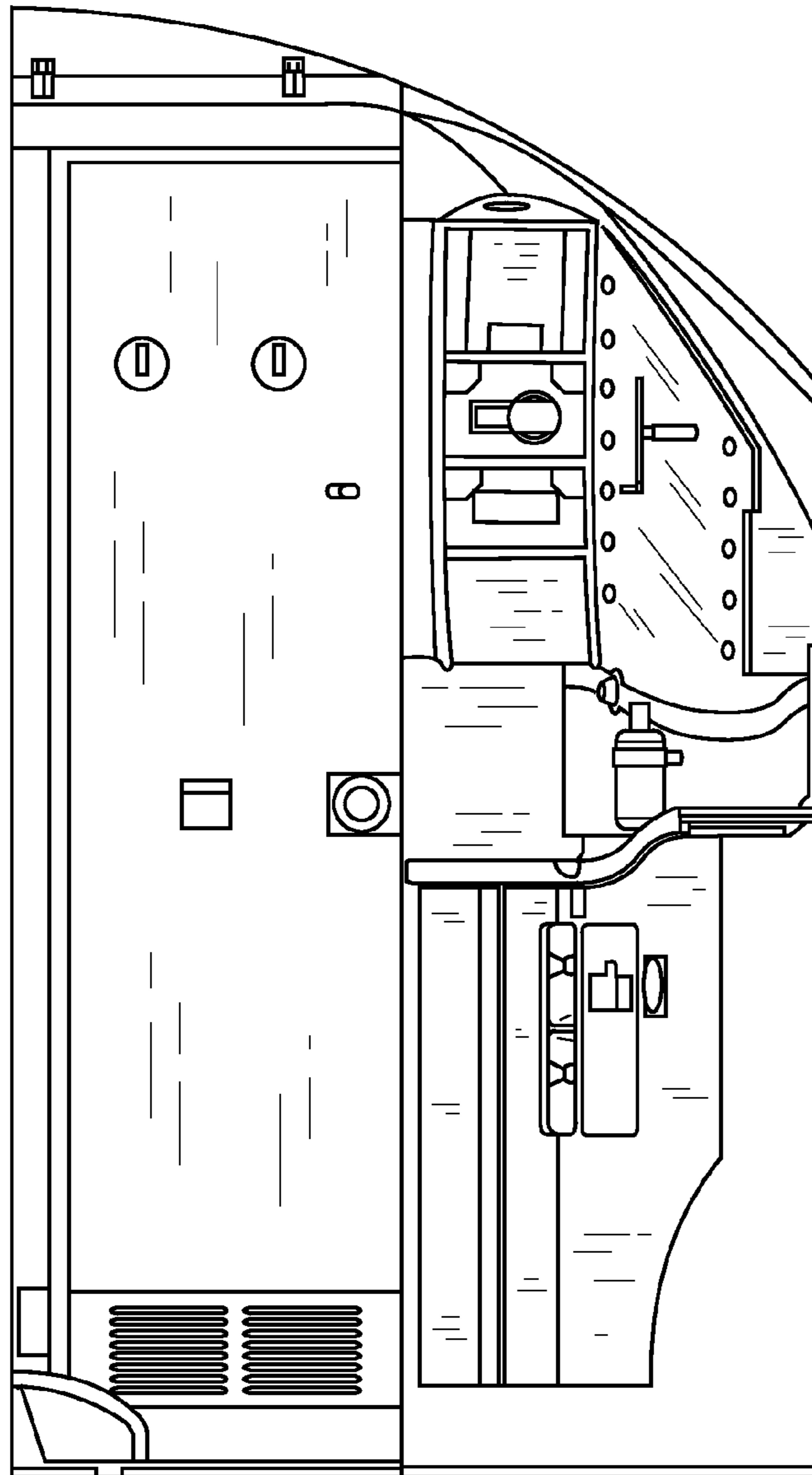
**FIG. 2**



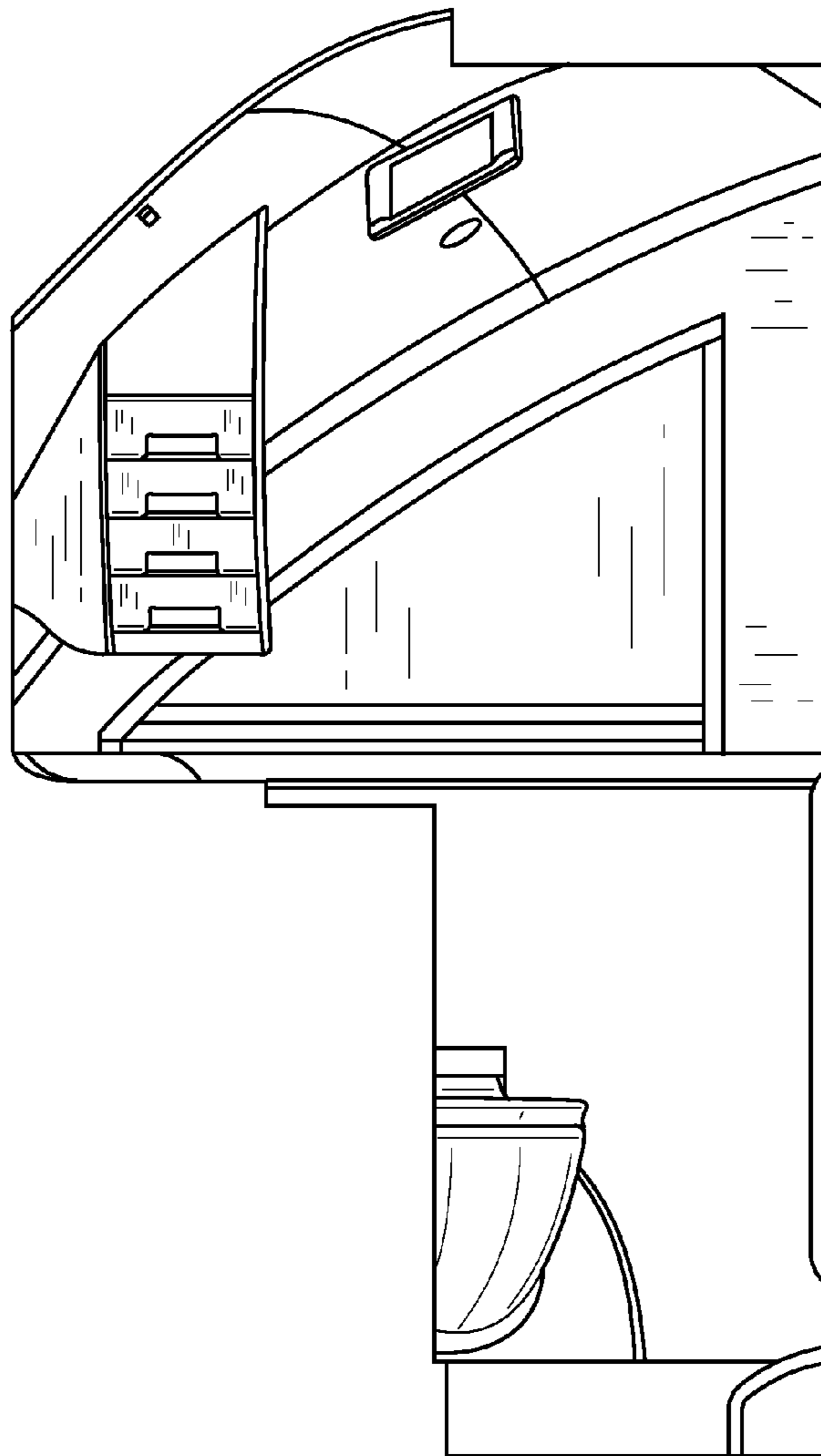
**FIG. 3**



**FIG. 4**

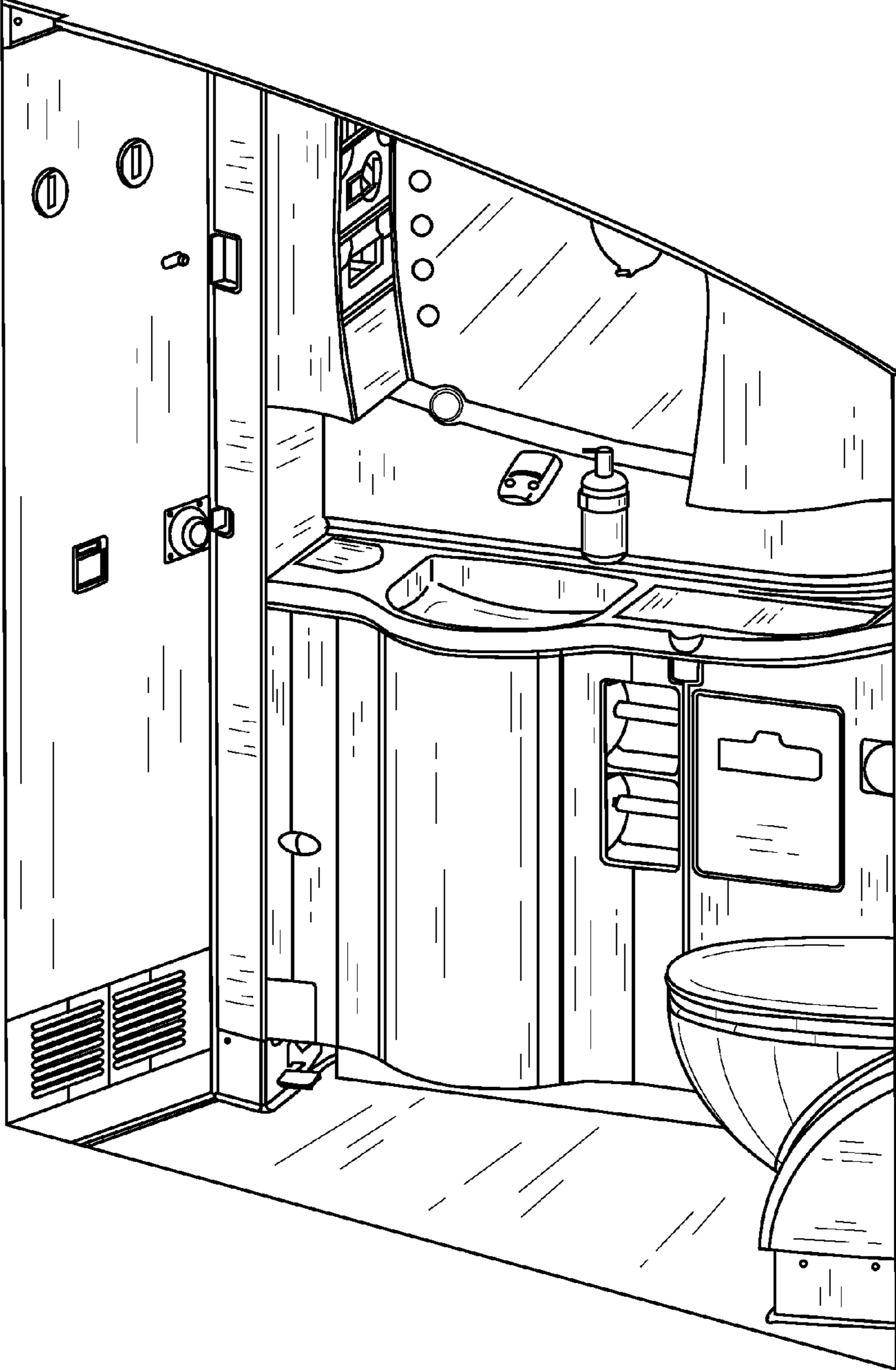


**FIG. 5**

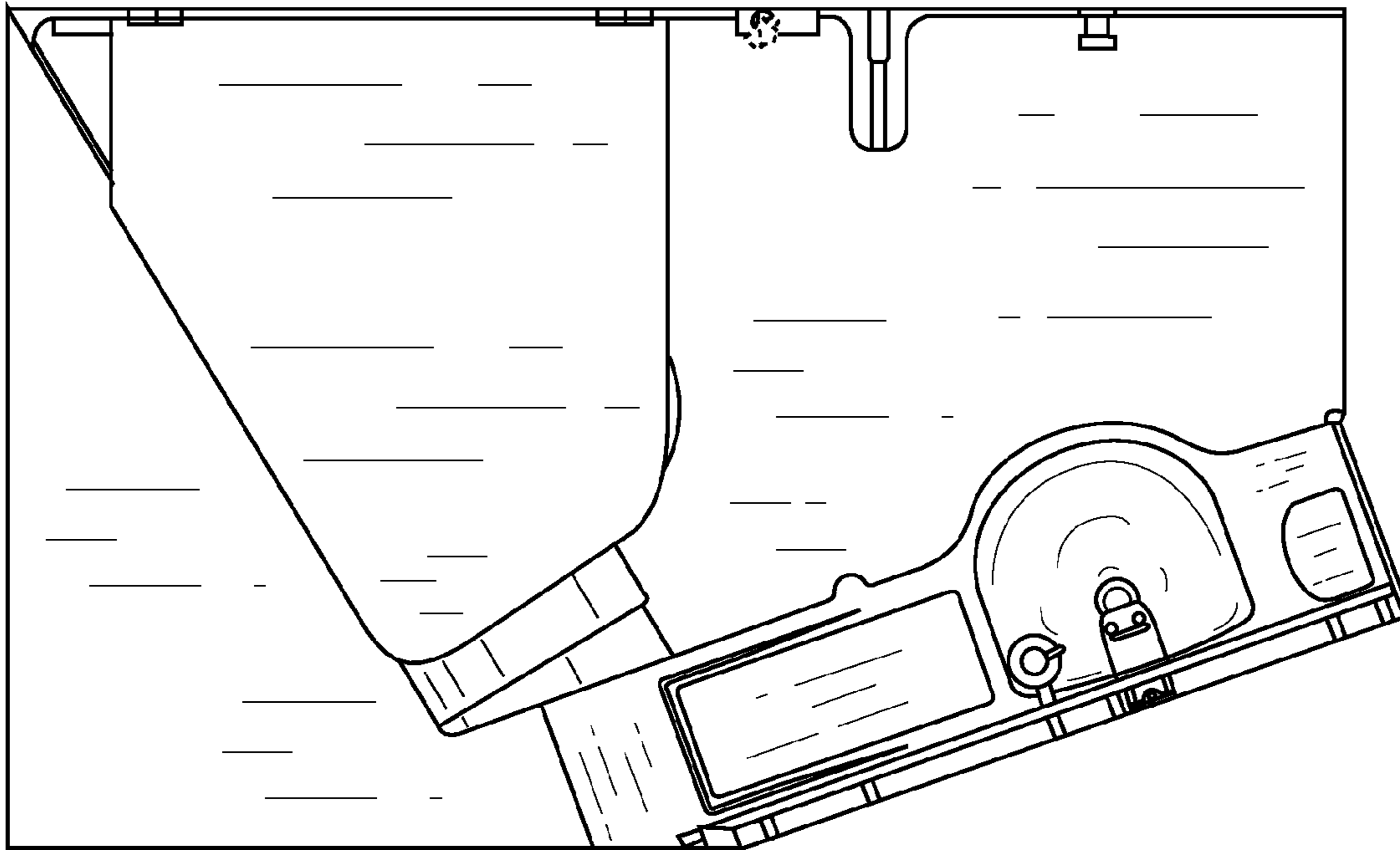


**FIG. 6**

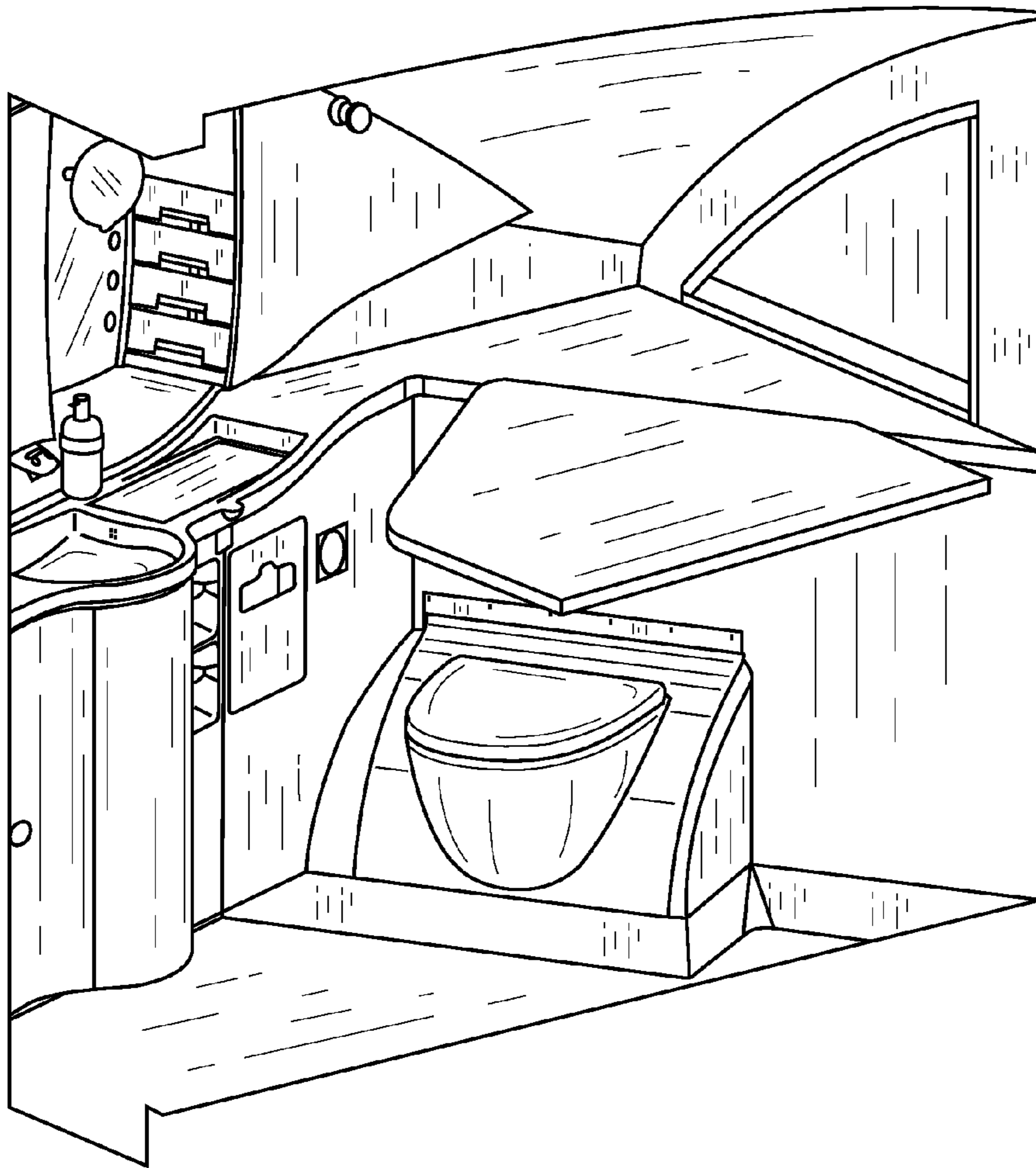




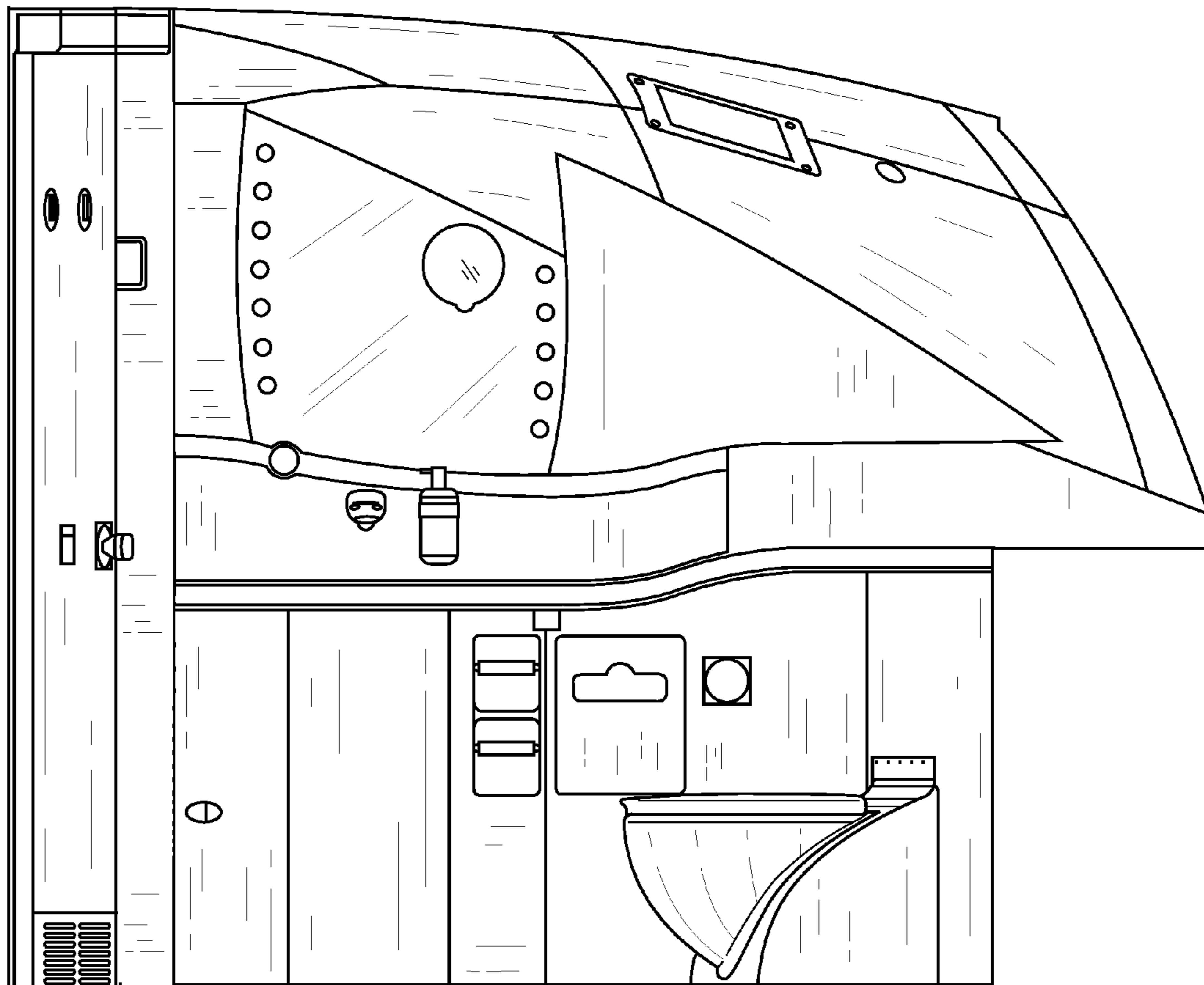
**FIG. 7**



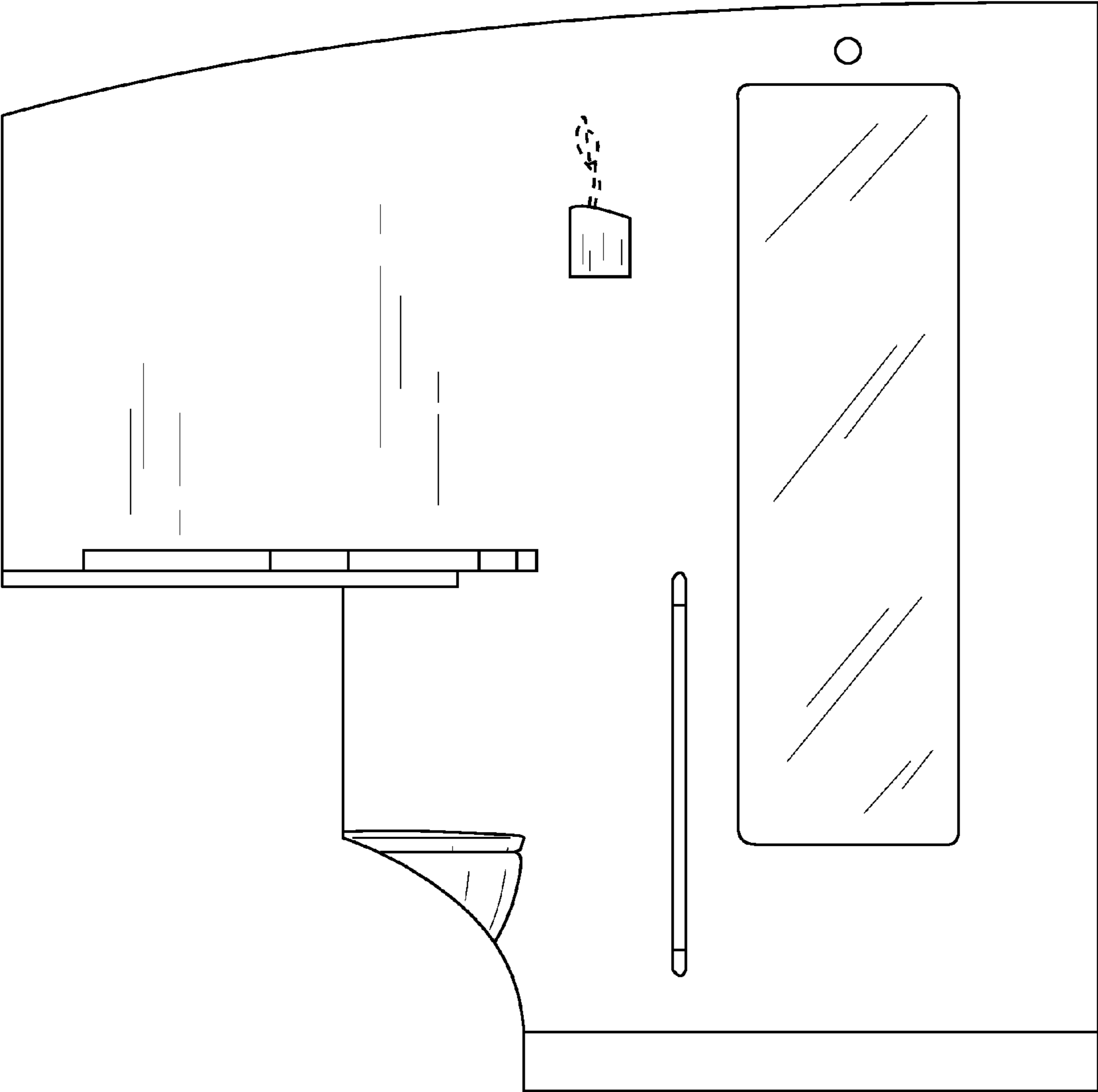
**FIG. 8**



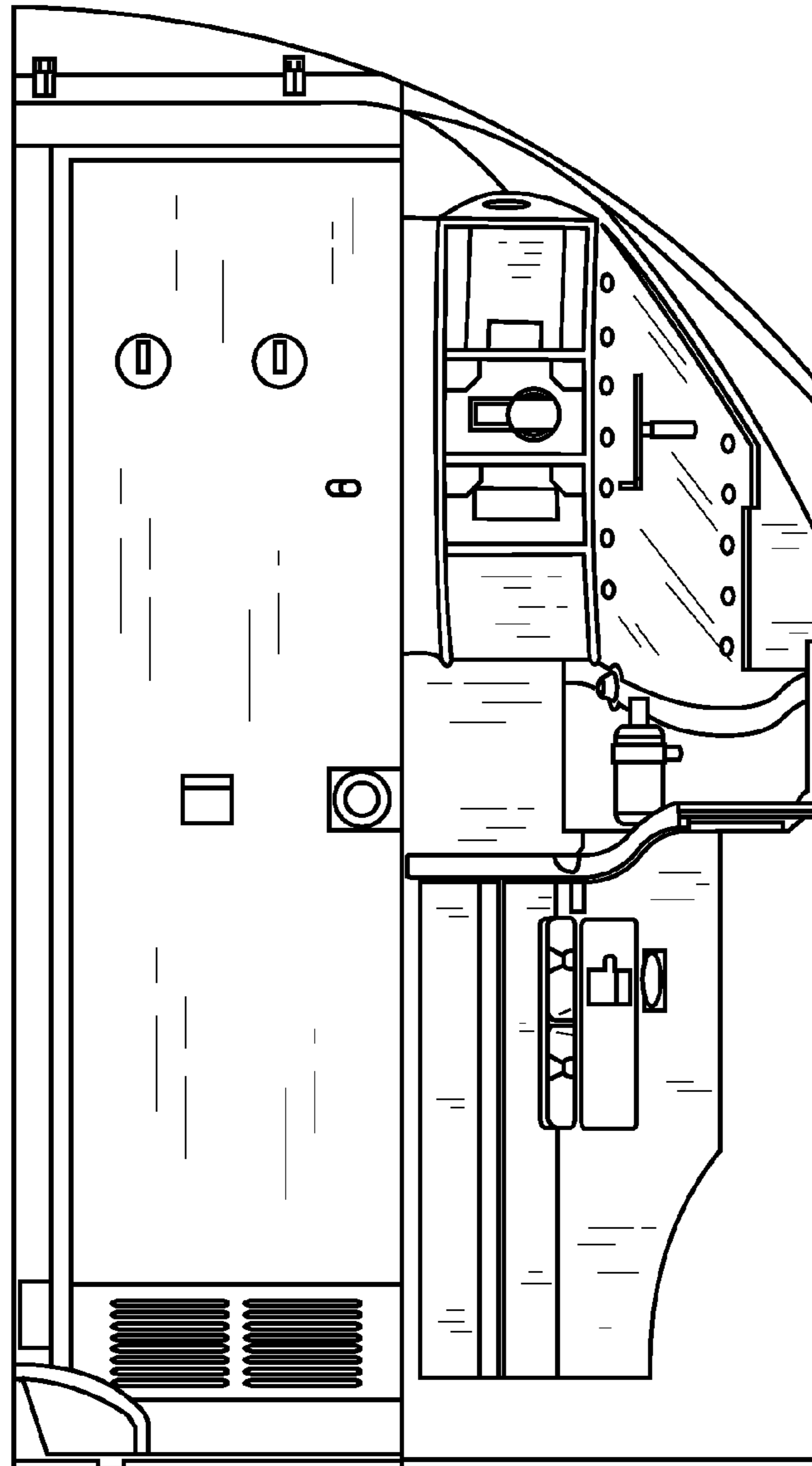
**FIG. 9**



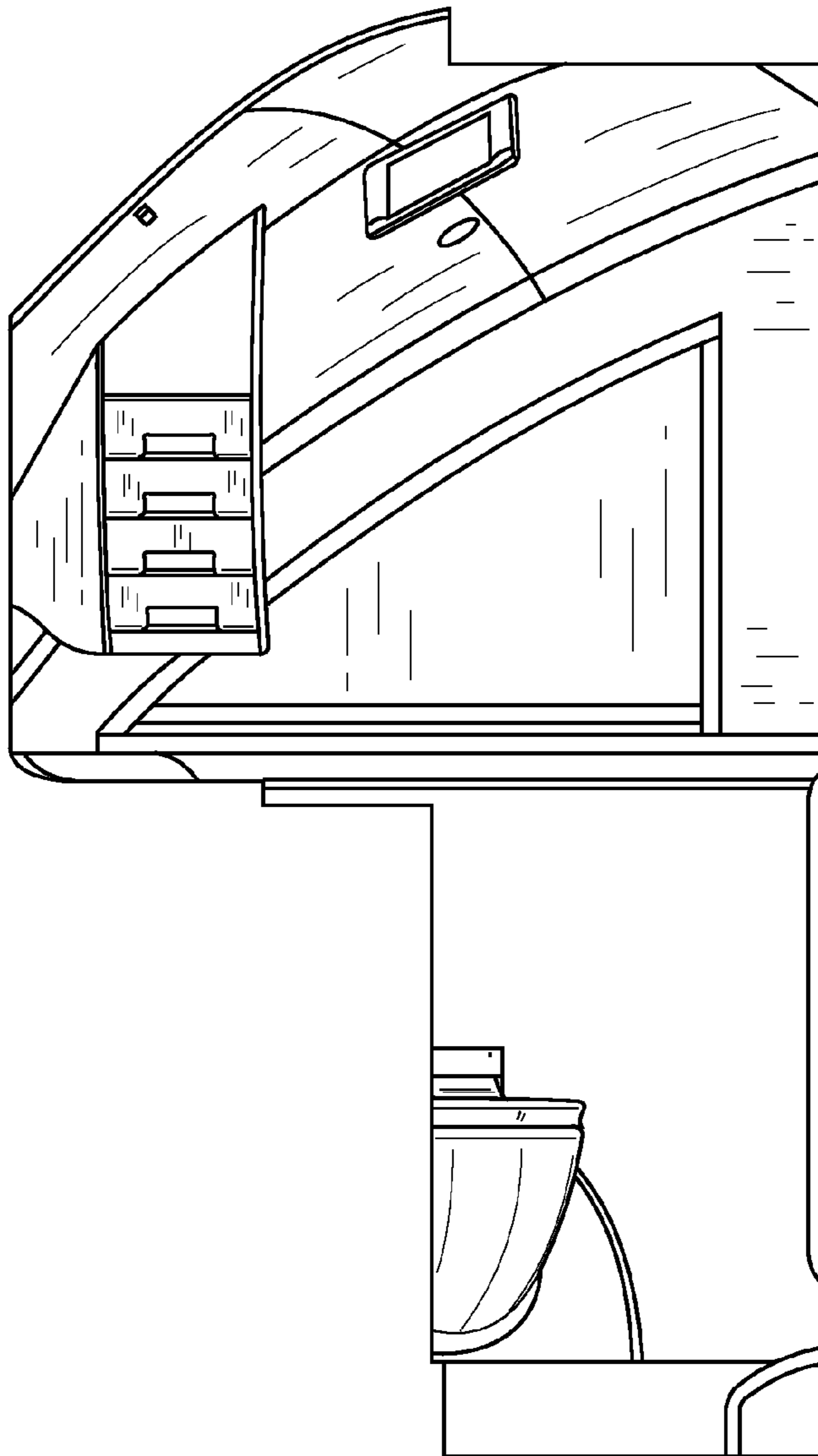
**FIG. 10**



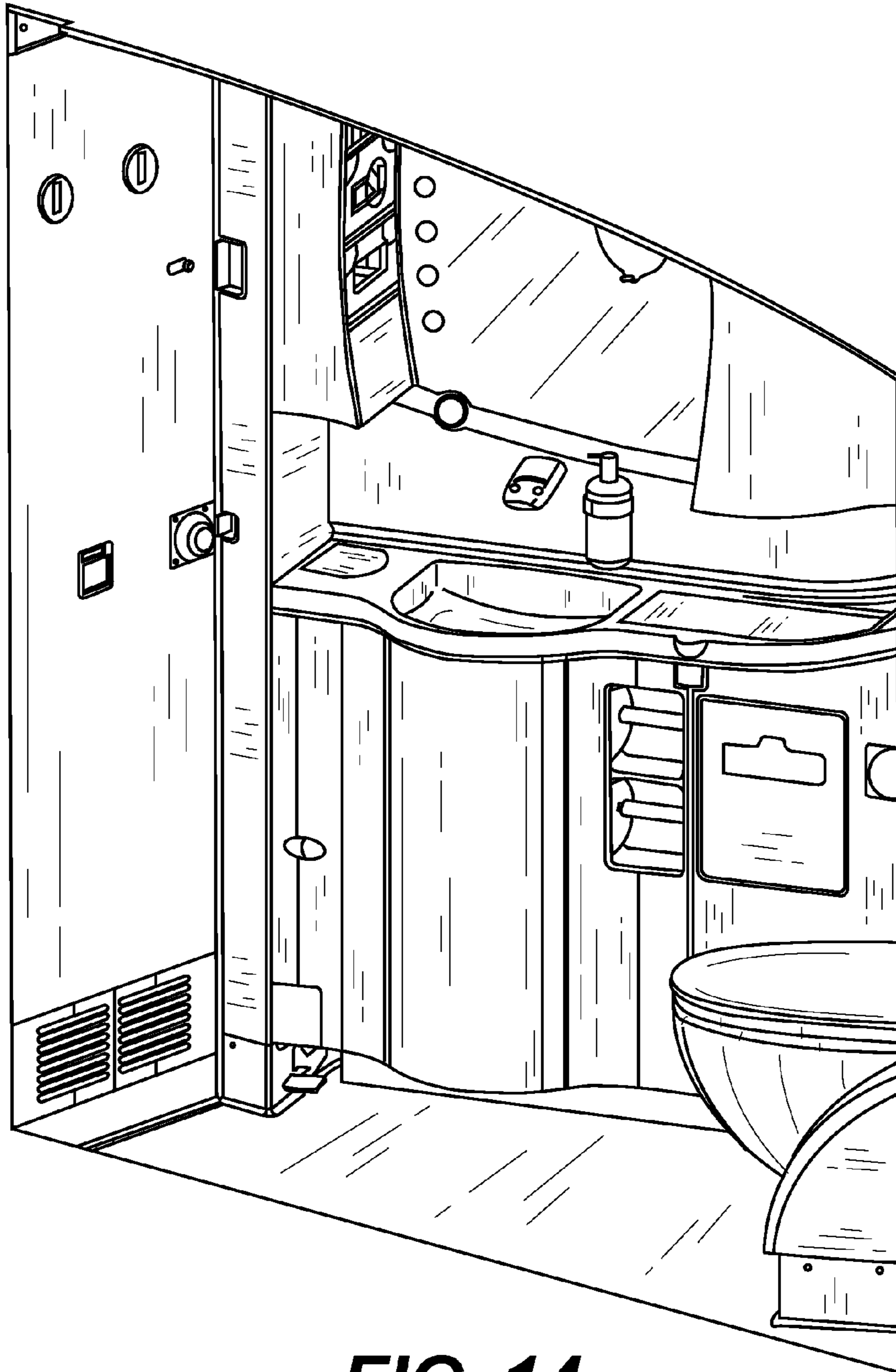
**FIG. 11**



**FIG. 12**



**FIG. 13**



**FIG. 14**