

US00D593644S

(12) **United States Design Patent**
Bock et al.

(10) **Patent No.:** **US D593,644 S**
(45) **Date of Patent:** **** Jun. 2, 2009**

(54) **COMMERCIAL AIRCRAFT PASSENGER CABIN LAVATORY AND ELEMENTS THEREOF**

(75) Inventors: **Thomas-Mathias Bock**, Grenade sur Garonne (FR); **Torsten Jaunich**, Fulda (DE); **Tobias Schmidt-Schaeffer**, Munich (DE)

(73) Assignee: **AIRBUS SAS**, Blagnac Cedex (FR)

(**) Term: **14 Years**

(21) Appl. No.: **29/281,122**

(22) Filed: **Jun. 15, 2007**

(51) **LOC (9) Cl.** **23-02**

(52) **U.S. Cl.** **D23/271**

(58) **Field of Classification Search** D23/270-274, D23/286, 299, 275, 279, 303, 308-309; D25/138, D25/16; D6/397-398, 429-430, 433, 437, D6/439, 443-444, 446, 509-510; D12/345, D12/319; 4/662-665, 420, 449, 460, 483, 4/619, 661, 670, 210, DIG. 15; 114/189; 244/118.5; 49/40

See application file for complete search history.

(56) **References Cited**

U.S. PATENT DOCUMENTS

371,084 A * 10/1887 Mann D23/286

(Continued)

OTHER PUBLICATIONS

U.S. Appl. No. 29/281,128. Title: Commercial Aircraft Passenger Cabin Lavatory And Elements Thereof, filed on Jun. 15, 2007.

(Continued)

Primary Examiner—Robert A Delehanty

(74) *Attorney, Agent, or Firm*—Olser, Hoskin & Harcourt LLP

(57) **CLAIM**

The ornamental design of a commercial aircraft passenger cabin lavatory and elements thereof, as shown and described.

DESCRIPTION

FIG. 1 is a top plan view showing a commercial aircraft passenger cabin lavatory according to a first embodiment of our design, with elements removed for clarity;

FIG. 2 is a perspective view thereof, taken from a front, right side, with elements removed for clarity;

FIG. 3 is a left side elevation view thereof, with elements removed for clarity;

FIG. 4 is a front elevation view thereof, with elements removed for clarity;

FIG. 5 is a right side elevation view thereof, with elements removed for clarity;

FIG. 6 is a rear elevation view thereof, with elements removed for clarity;

FIG. 7 is a top plan view showing a commercial aircraft passenger cabin lavatory according to a second embodiment of our design, with elements removed for clarity;

FIG. 8 is a perspective view thereof, taken from a front, right side, with elements removed for clarity;

FIG. 9 is a left side elevation view thereof, with elements removed for clarity;

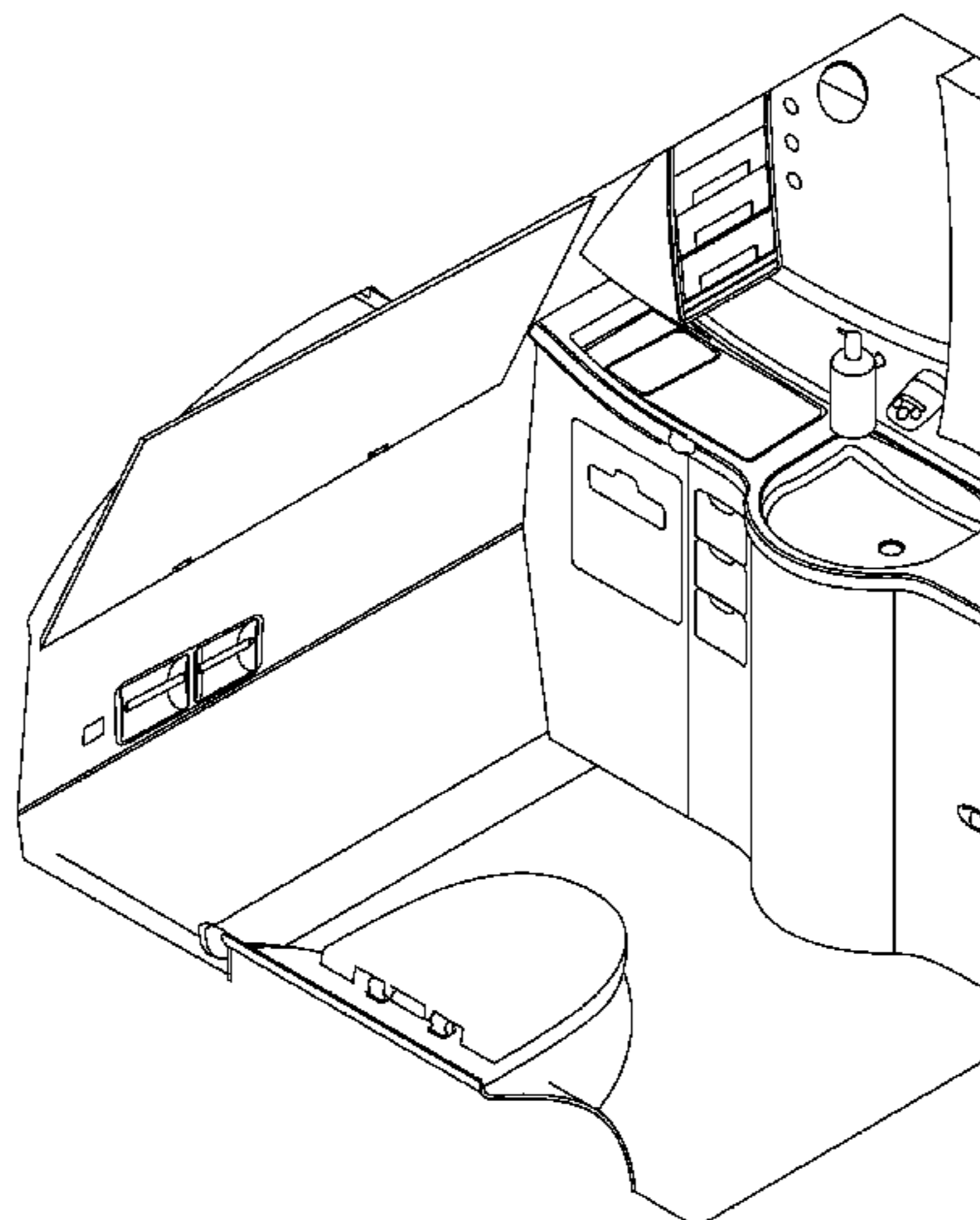
FIG. 10 is a front elevation view thereof, with elements removed for clarity;

FIG. 11 is a right side elevation view thereof, with elements removed for clarity; and,

FIG. 12 is a rear elevation view thereof, with elements removed for clarity.

Throughout the Figures, broken lines showing environment or structure are for illustrative purposes only and form no part of the claimed design.

1 Claim, 12 Drawing Sheets



U.S. PATENT DOCUMENTS

D168,317 S * 12/1952 Rothenstein D23/271
D265,957 S * 8/1982 Wolf et al. D6/446
5,150,863 A * 9/1992 Hozumi D12/345
D340,536 S * 10/1993 Adolfsson D25/138
D341,274 S * 11/1993 van den Nieuwelaar D6/433
D378,533 S * 3/1997 Wolff D6/510
D384,265 S * 9/1997 Saravis D6/446
D470,228 S * 2/2003 Wheeler, III D23/274
6,615,421 B2 * 9/2003 Itakura 4/664
D486,207 S * 2/2004 Itakura D23/274
D486,565 S * 2/2004 Itakura D23/274
D487,137 S * 2/2004 Itakura D23/274
D511,205 S * 11/2005 Loberger et al. D23/308
D519,763 S * 5/2006 Larger et al. D6/503
7,100,872 B2 * 9/2006 Quan 244/118.5
D533,129 S * 12/2006 Guard et al. D12/345
7,284,287 B2 * 10/2007 Cooper et al. 4/664
D583,917 S * 12/2008 Bock et al. D23/295

OTHER PUBLICATIONS

U.S. Appl. No. 29/281,132. Title: Countertop For A Commercial Aircraft Passenger Cabin Lavatory, filed on Jun. 15, 2007.

U.S. Appl. No. 29/281,134. Title: Toilet For A Commercial Aircraft Passenger Cabin Lavatory, filed on Jun. 15, 2007.

U.S. Appl. No. 29/281,130. Title: Cabinet For A Commercial Aircraft Passenger Cabin Lavatory, filed on Jun. 15, 2007.

U.S. Appl. No. 29/281,133. Title: Mirror For A Commercial Aircraft Passenger Cabin Lavatory, filed on Jun. 15, 2007.

U.S. Appl. No. 29/281,120. Title: Commercial Aircraft Passenger Cabin Lavatory And Elements Thereof, filed on Jun. 15, 2007.

U.S. Appl. No. 29/281,129. Title: Commercial Aircraft Passenger Cabin Lavatory And Elements Thereof, filed on Jun. 15, 2007.

U.S. Appl. No. 29/281,125. Title: Commercial Aircraft Passenger Cabin Lavatory And Elements Thereof, filed on Jun. 15, 2007.

* cited by examiner

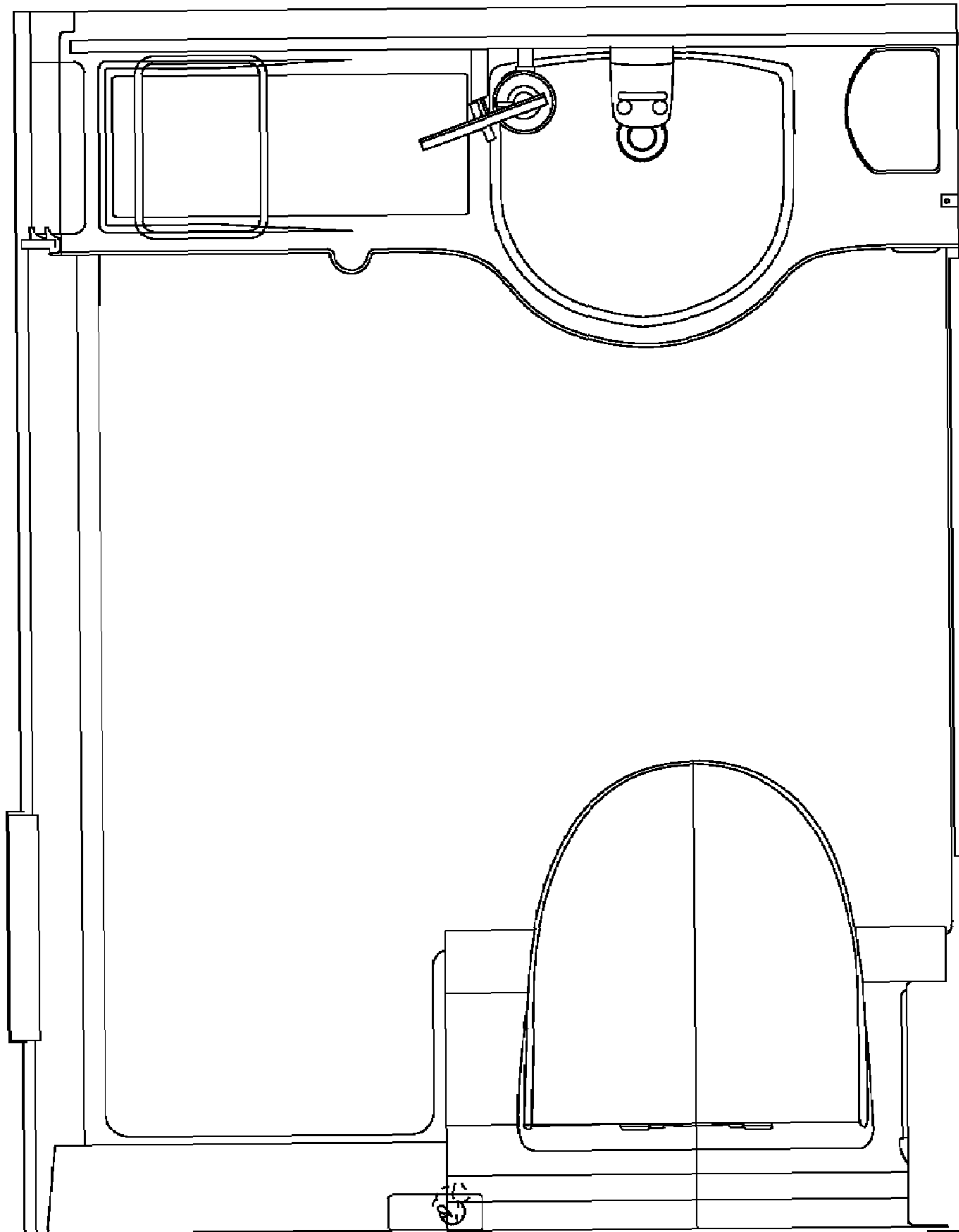


FIG. 1

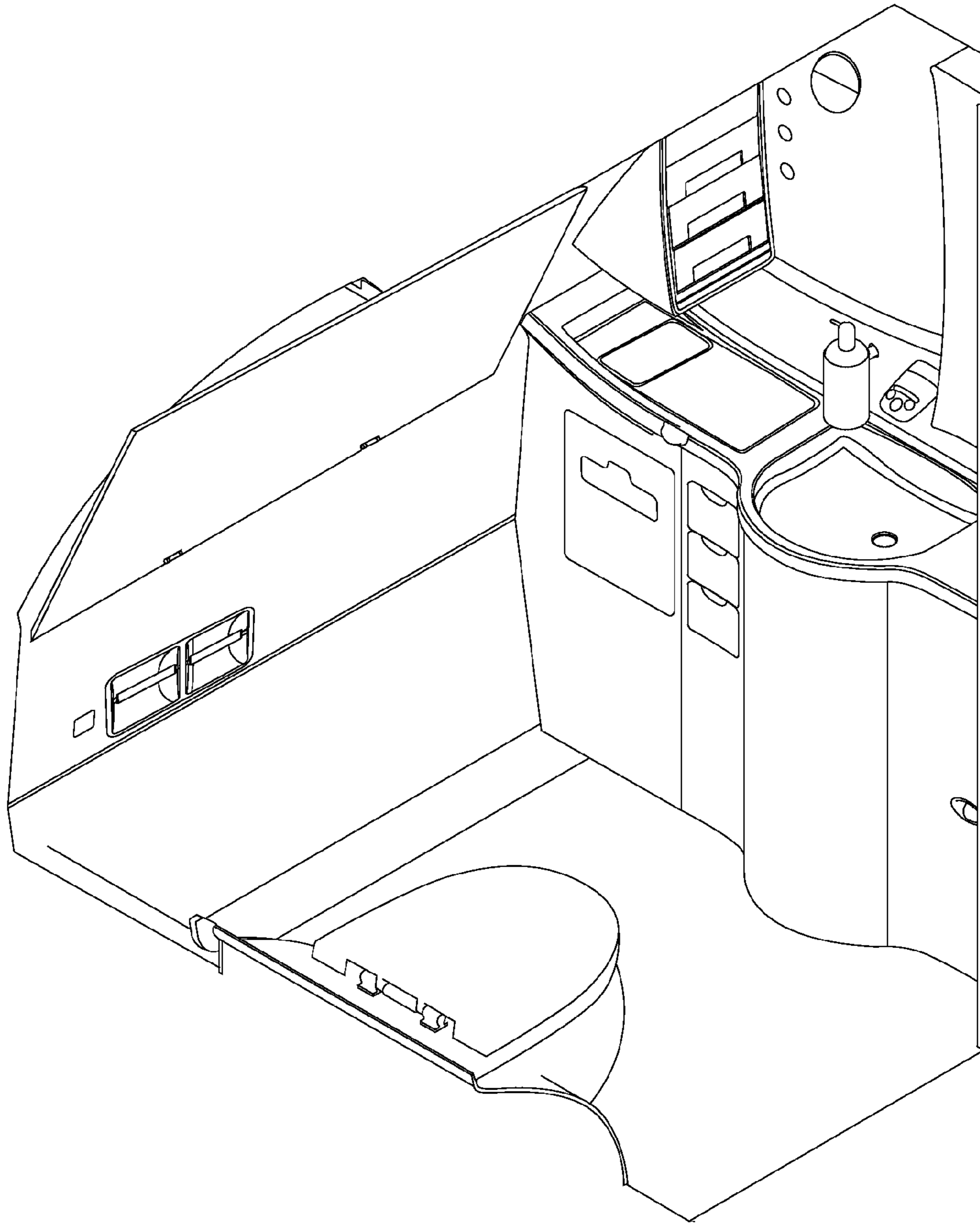


FIG. 2

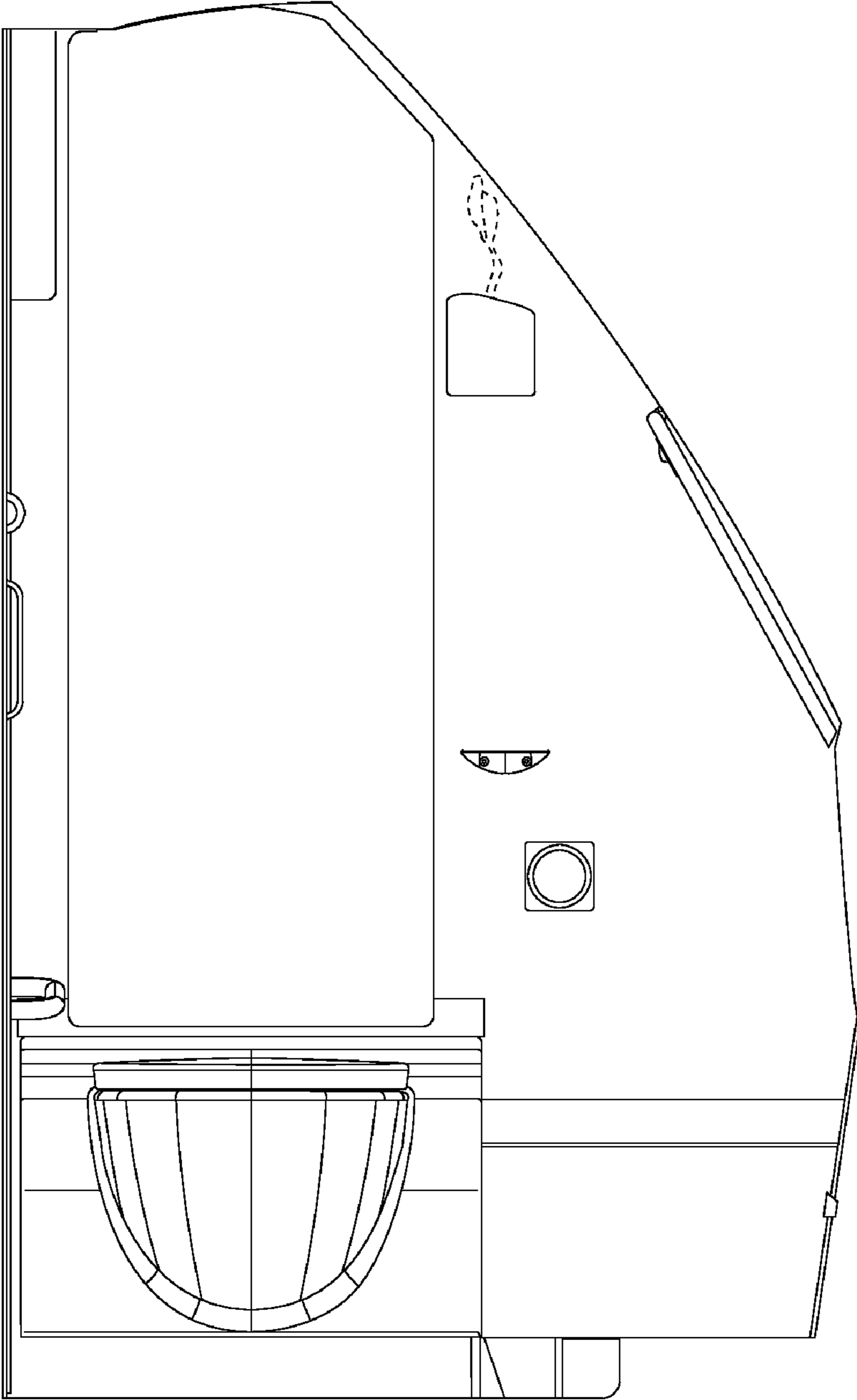


FIG. 3

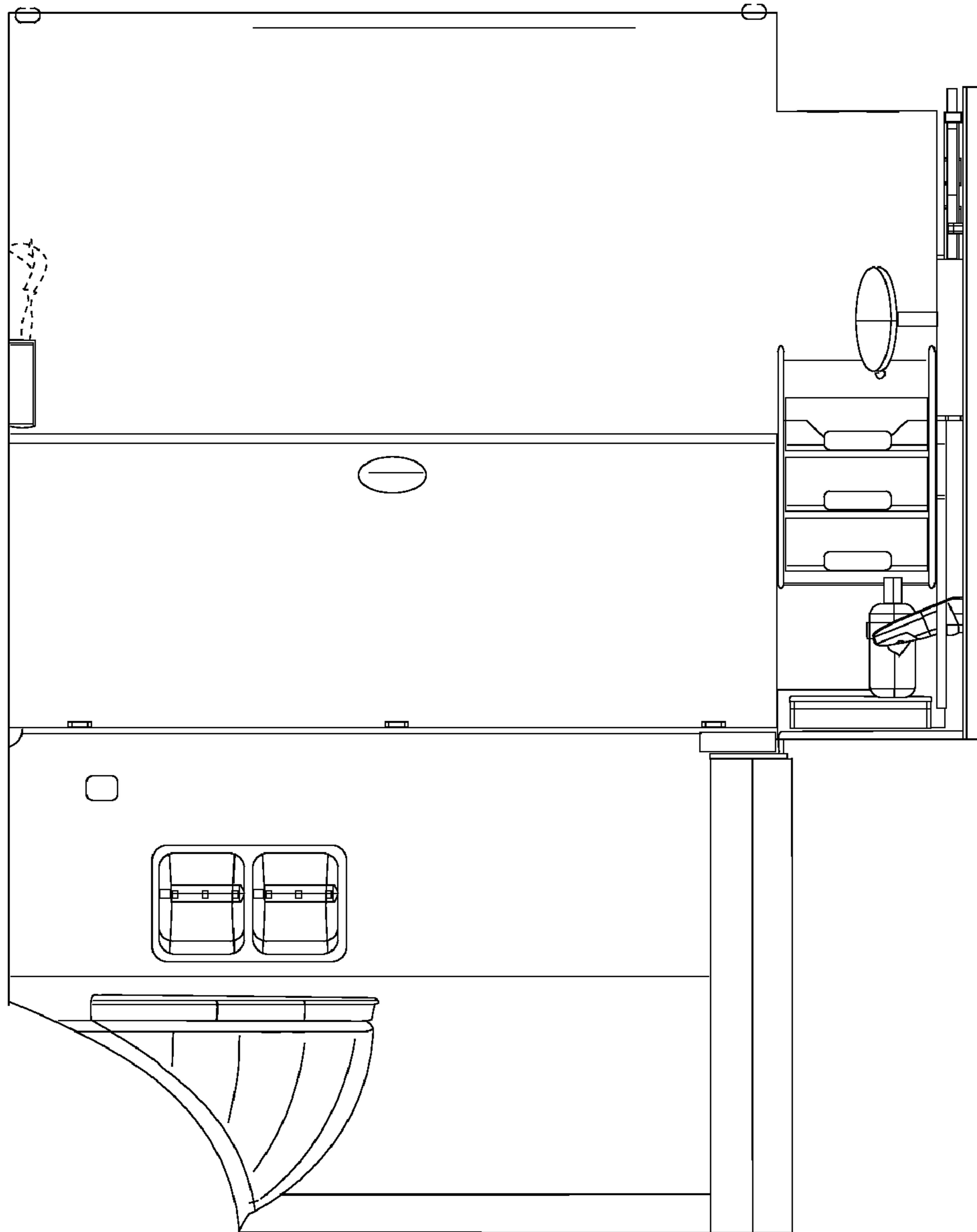


FIG. 4

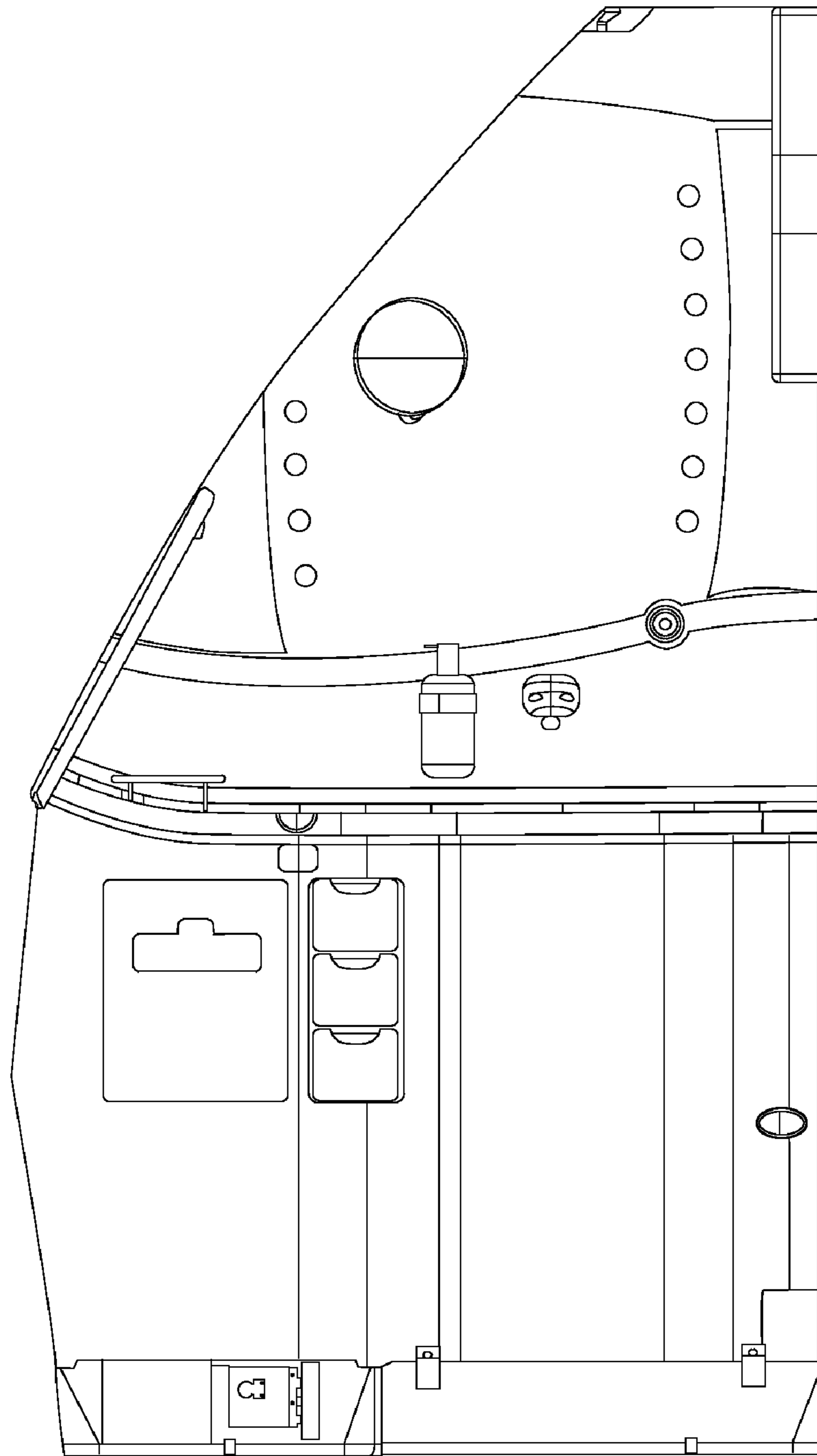


FIG. 5

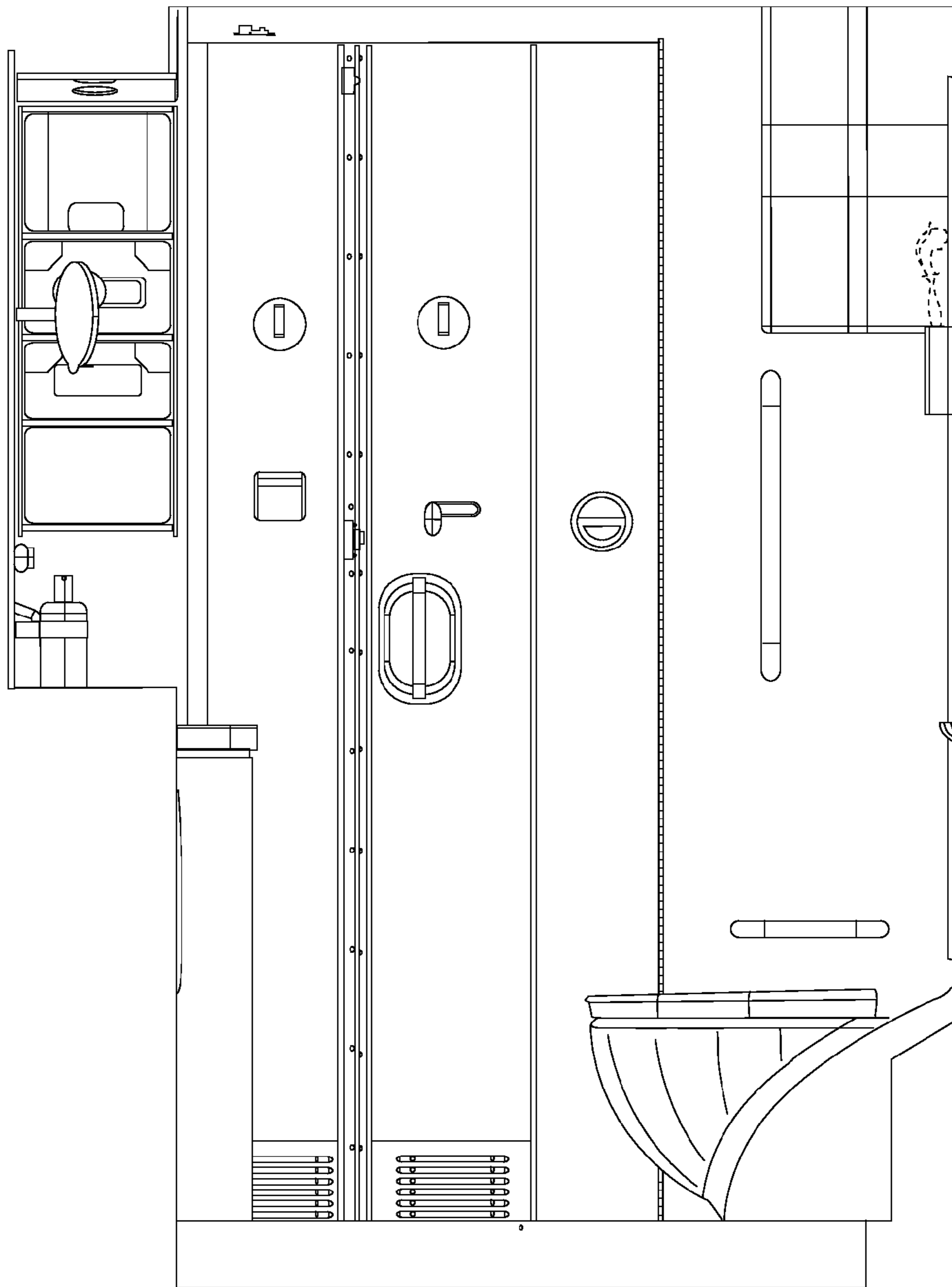


FIG. 6

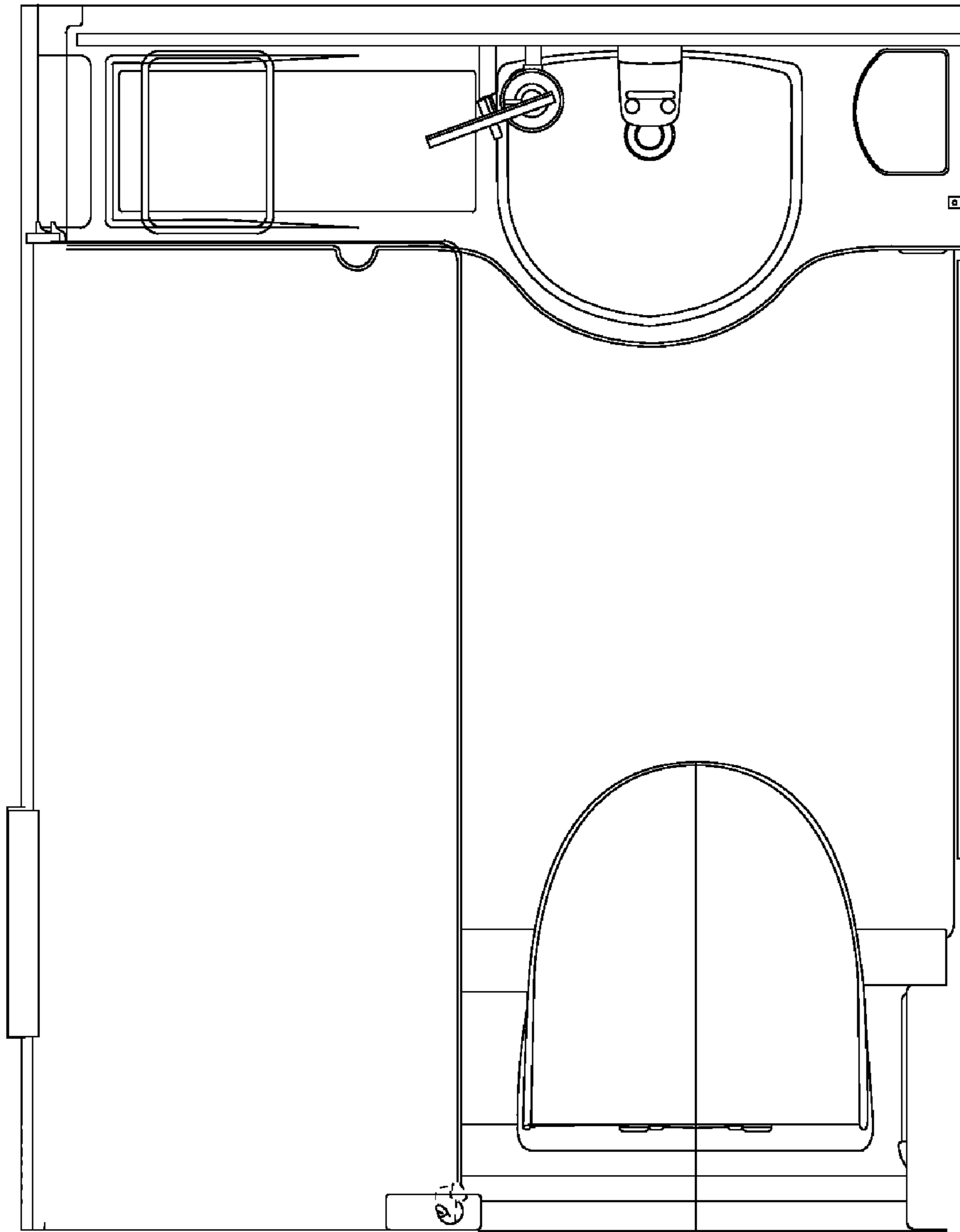


FIG. 7

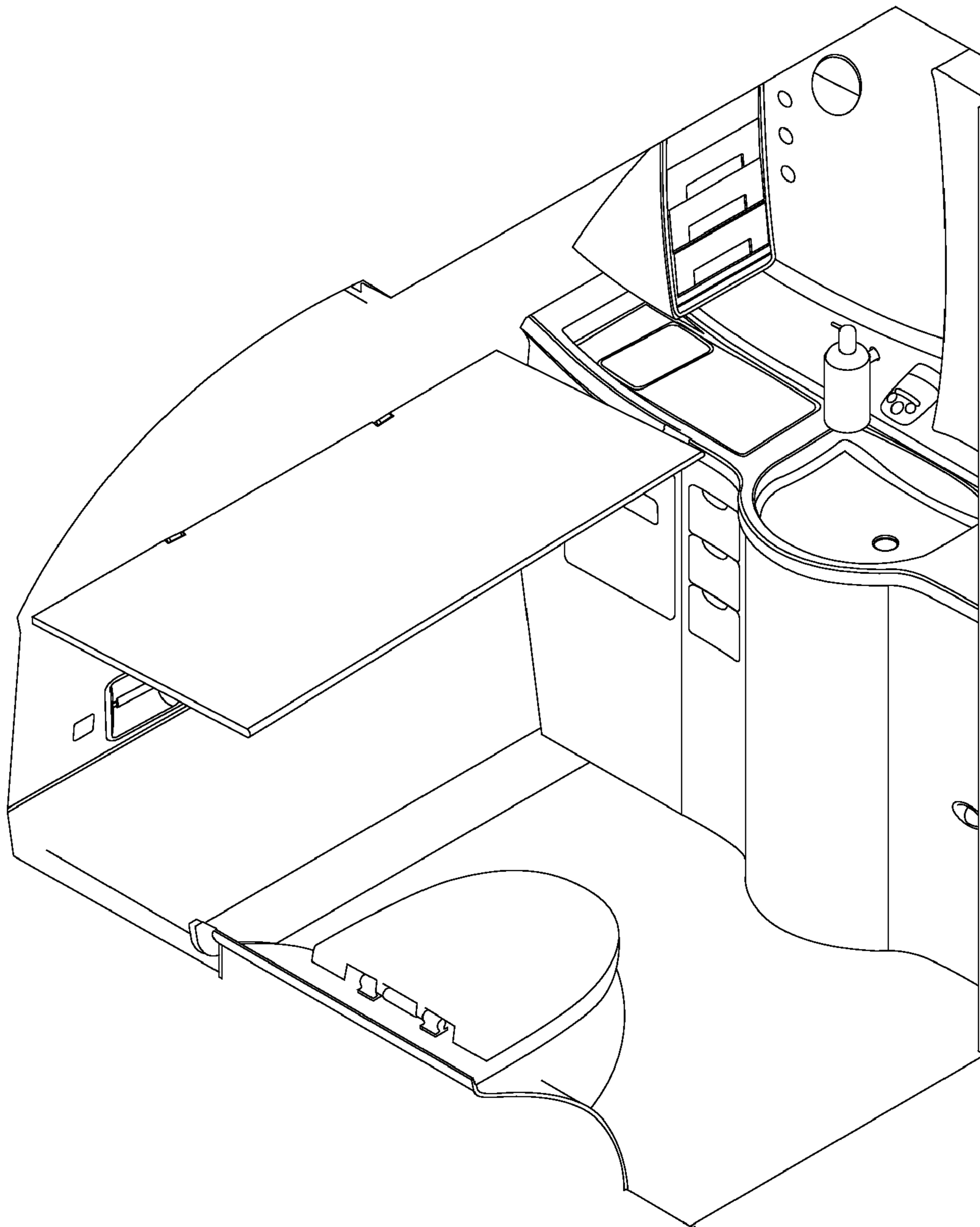


FIG. 8

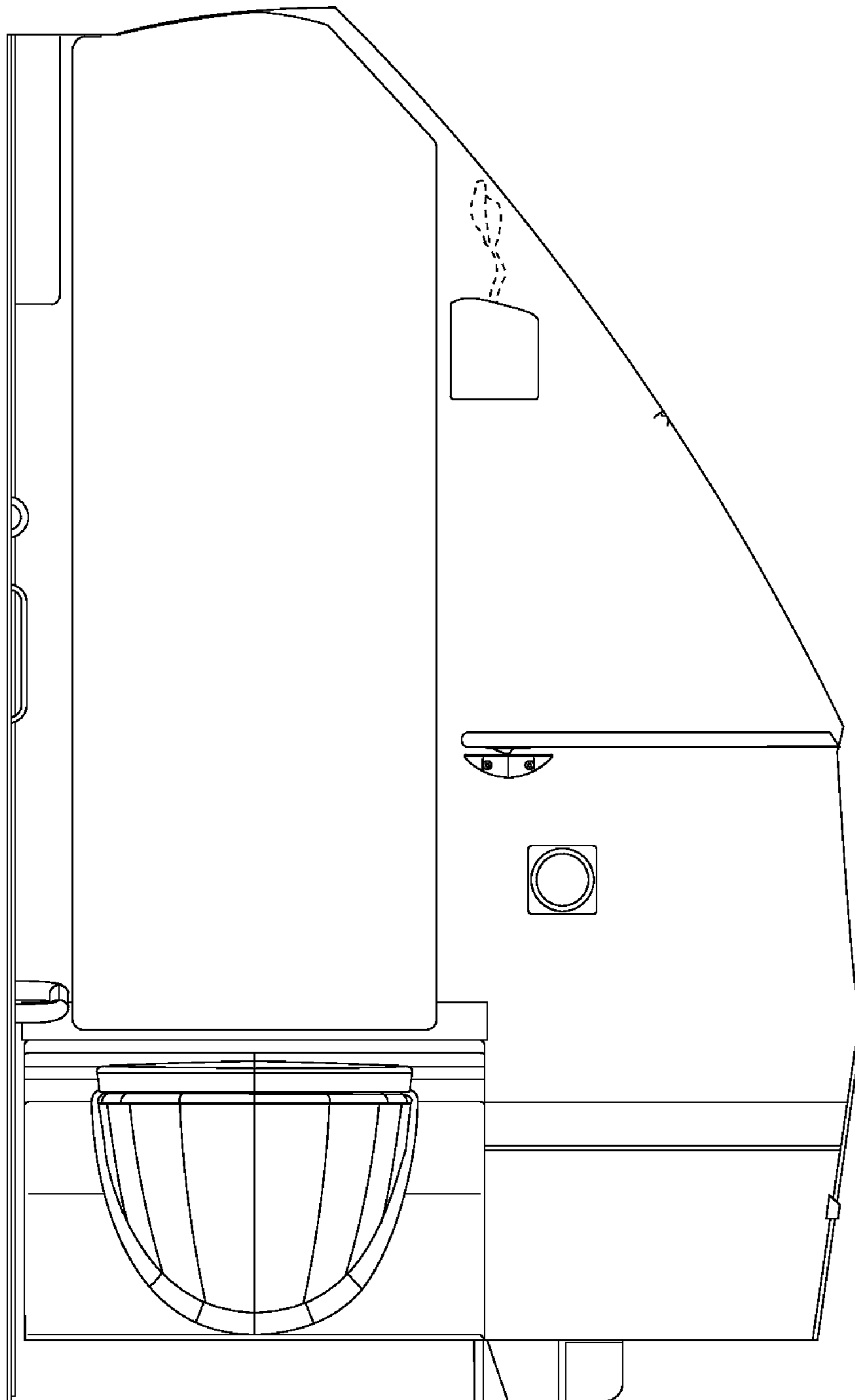


FIG. 9

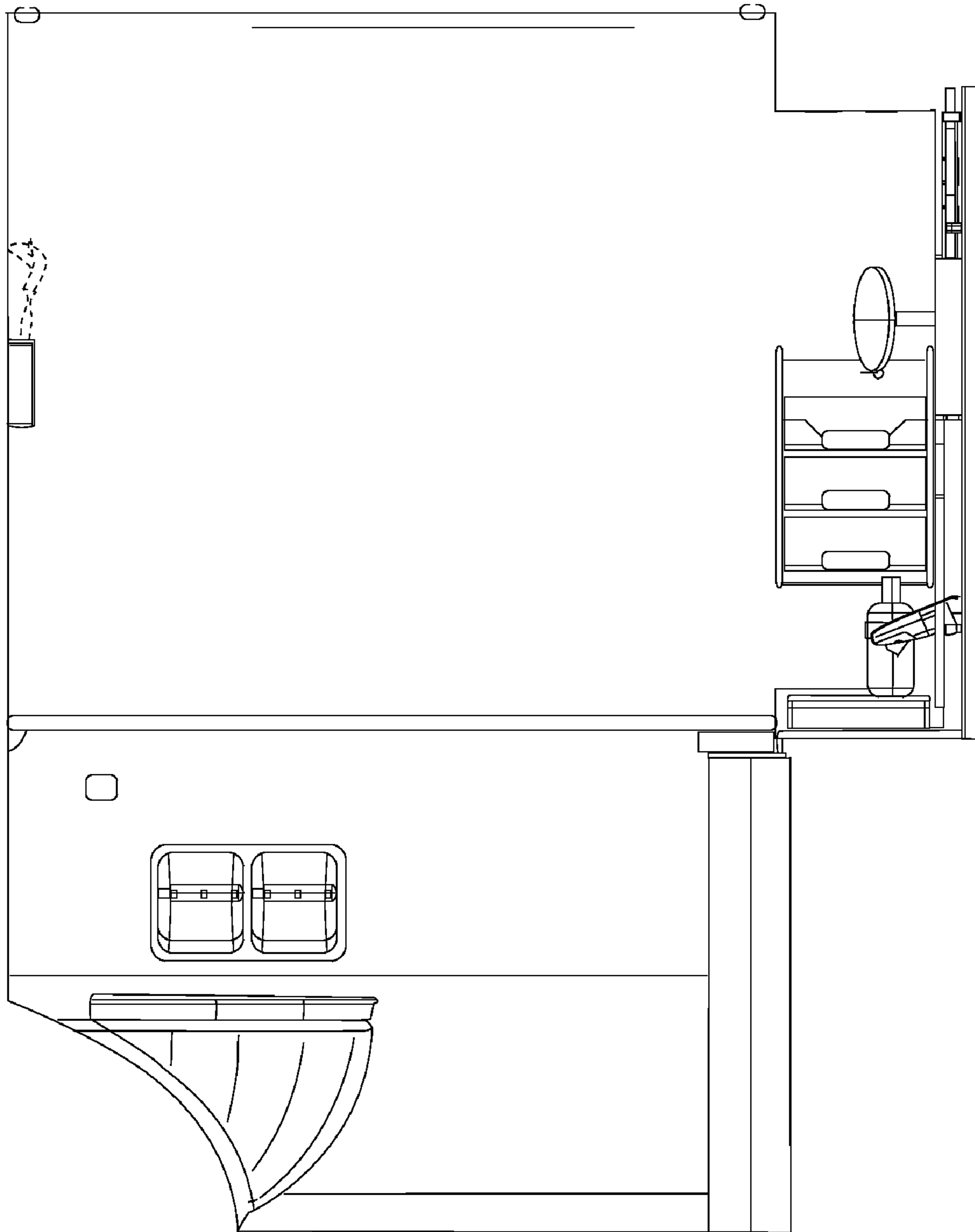


FIG. 10

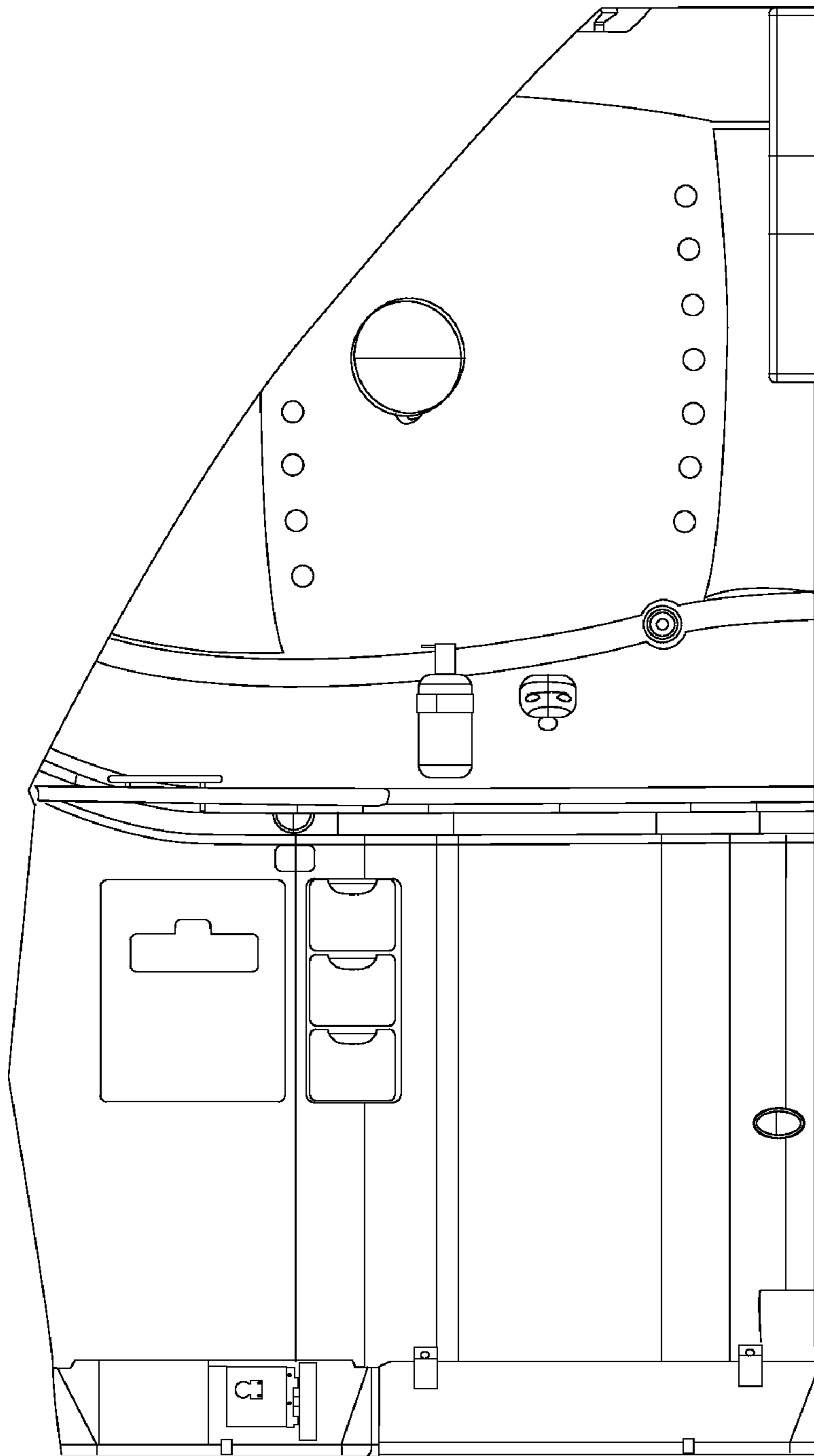


FIG. 11

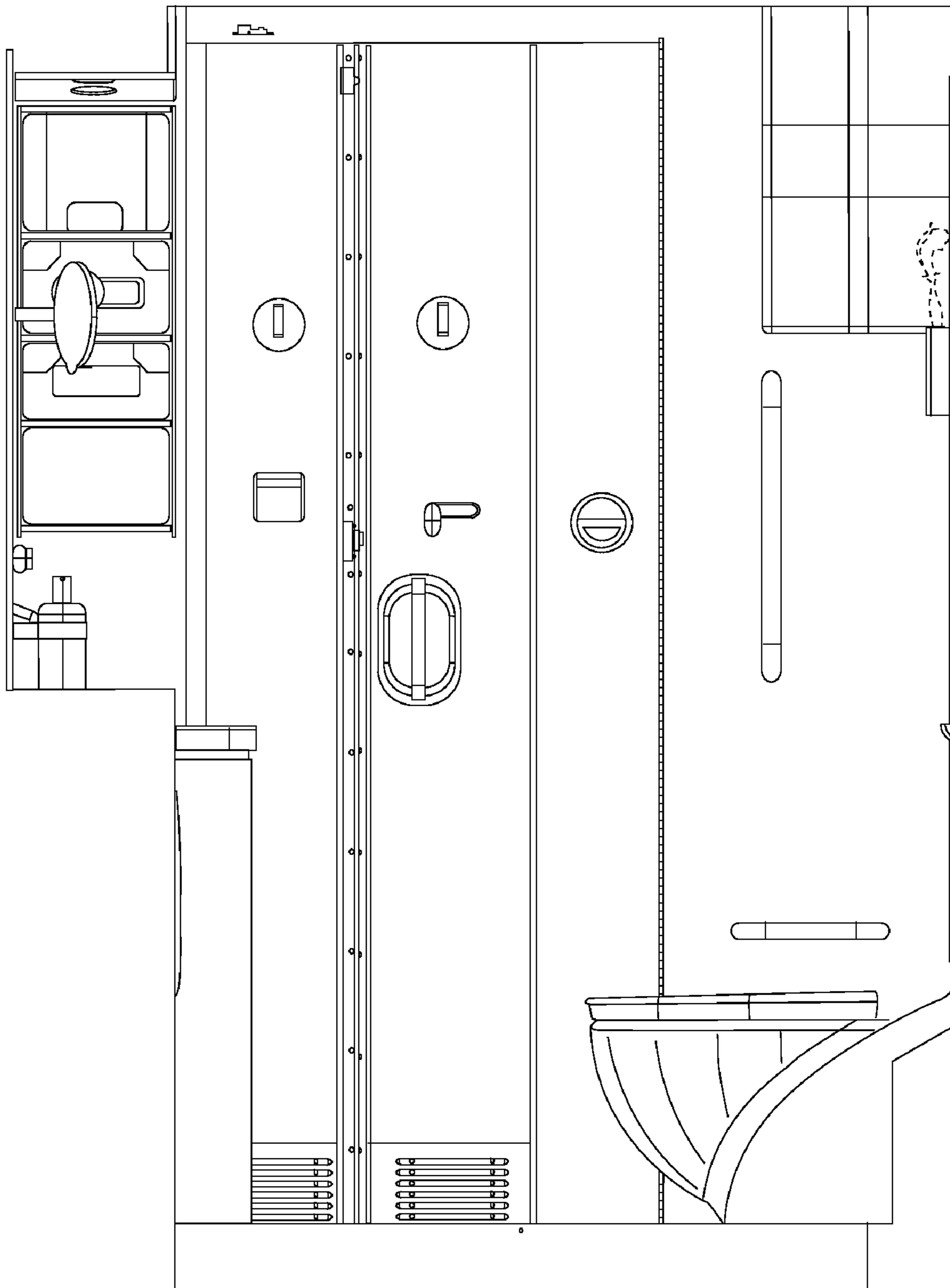


FIG. 12