



US00D593640S

(12) **United States Design Patent**
Schoenherr et al.

(10) **Patent No.:** **US D593,640 S**
(45) **Date of Patent:** **** Jun. 2, 2009**

(54) **SHOWERHEAD**

(75) Inventors: **Tom Schoenherr**, Stuttgart (DE);
Fabian Kollmann, Stuttgart (DE)

(73) Assignee: **Hansgrohe AG**, Schiltach (DE)

(**) Term: **14 Years**

(21) Appl. No.: **29/322,131**

(22) Filed: **Jul. 30, 2008**

(30) **Foreign Application Priority Data**

Jan. 31, 2008 (EM) 000870282-0009

(51) **LOC (9) Cl.** **23-01**

(52) **U.S. Cl.** **D23/213**

(58) **Field of Classification Search** D23/213,
D23/223, 229–230; 239/282–283, 460, 462
See application file for complete search history.

(56) **References Cited**

U.S. PATENT DOCUMENTS

D297,160 S *	8/1988	Robbins	D23/213
D532,076 S *	11/2006	Mazzola	D23/213
D556,855 S *	12/2007	Mullenmeister et al.	...	D23/213
D557,763 S *	12/2007	Schoenherr et al.	D23/213
D562,937 S *	2/2008	Schoenherr et al.	D23/213
D566,228 S *	4/2008	Neagoe	D23/213

OTHER PUBLICATIONS

Brochure—Alea Estratto Programma Doccia, 2 pgs., Alea sr.l.,
Vercelli, Italy (at least as early as Feb. 28, 2006).

Brochure—Docce Handshowers by Bossini, 2 pgs., Bossini spa,
Castenedolo, Italy (at least as early as Sep. 27, 2005).

Brochure—Cisal Booklet, 2 pgs., Rubinetteria CISAL, S.p.A.,
Novara, Italy (at least as early as Aug. 29, 2006).

* cited by examiner

Primary Examiner—Robin V Webster

(74) *Attorney, Agent, or Firm*—Nirav D. Parikh; Edgar A.
Zarins

(57) **CLAIM**

The ornamental design for a showerhead, as shown and
described.

DESCRIPTION

FIG. 1 is a front perspective view of a showerhead showing
our design;

FIG. 2 is a front elevational view thereof; the rear elevational
view being a mirror image thereof;

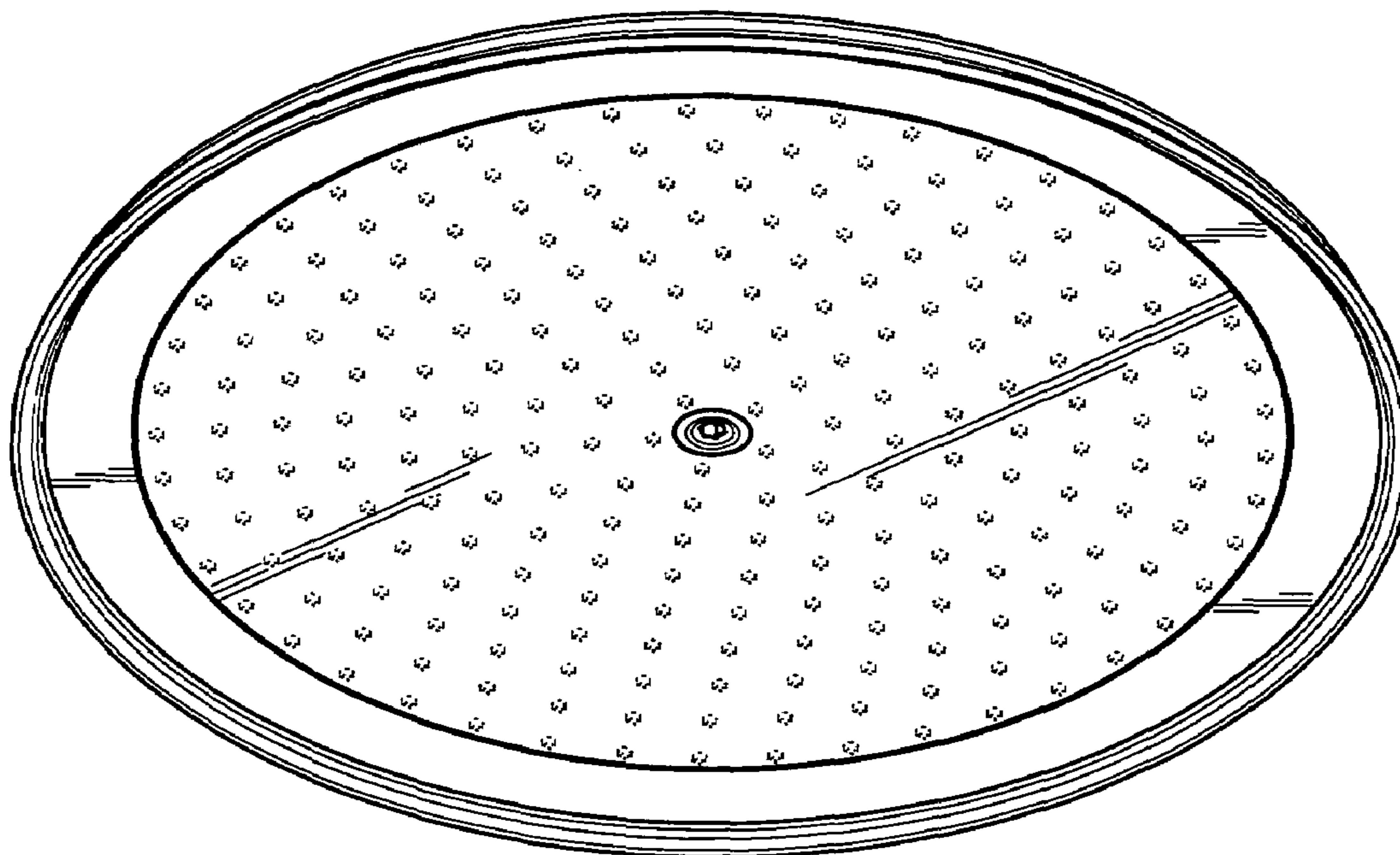
FIG. 3 is a left side elevational view thereof; the right side
elevational view being a mirror image thereof;

FIG. 4 is a top plan view thereof; and,

FIG. 5 is a bottom plan view thereof.

The broken lines in the figures are for the purpose of illus-
trating portions of the showerhead that form no part of the
claimed design.

1 Claim, 5 Drawing Sheets



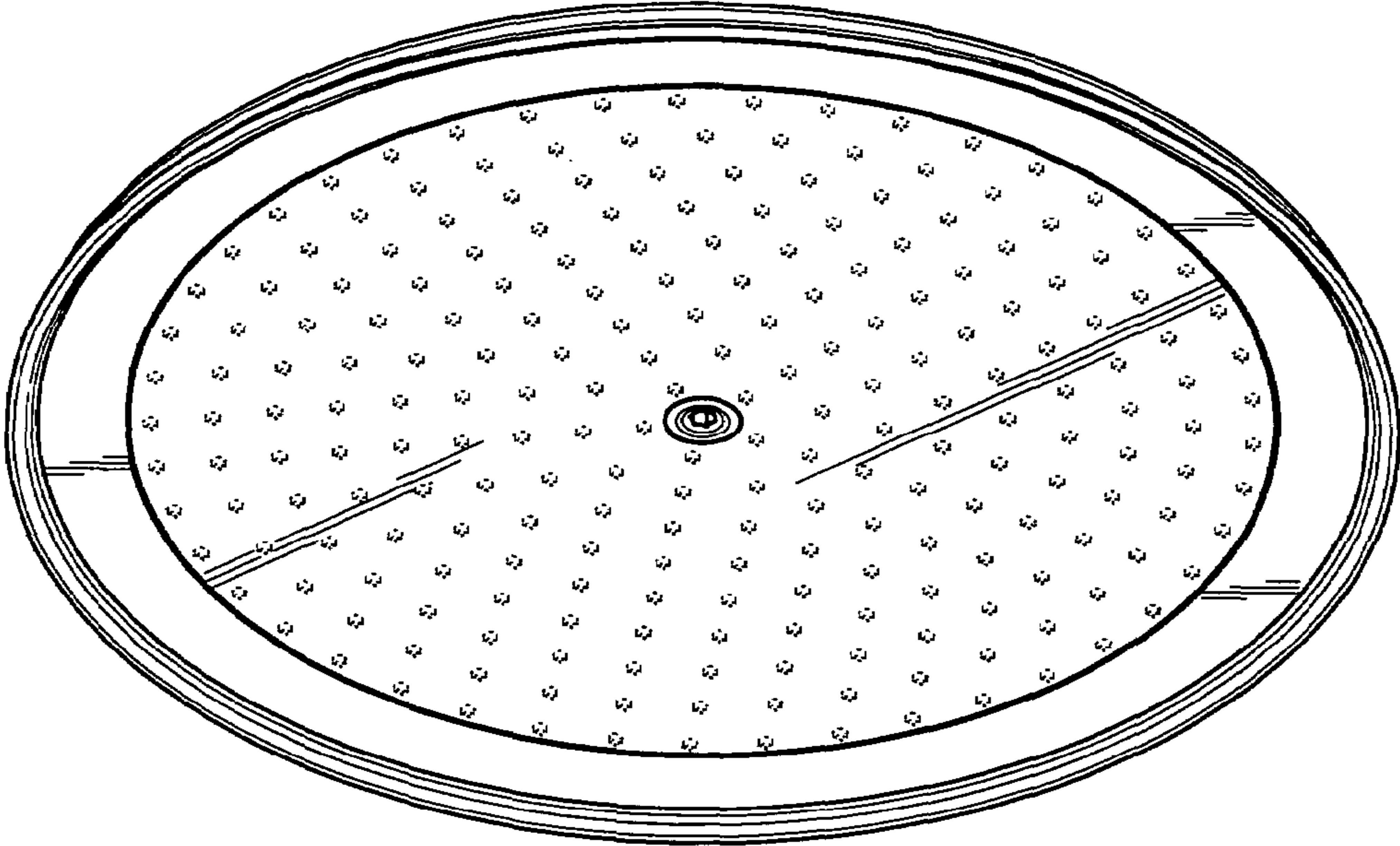


FIG. 1

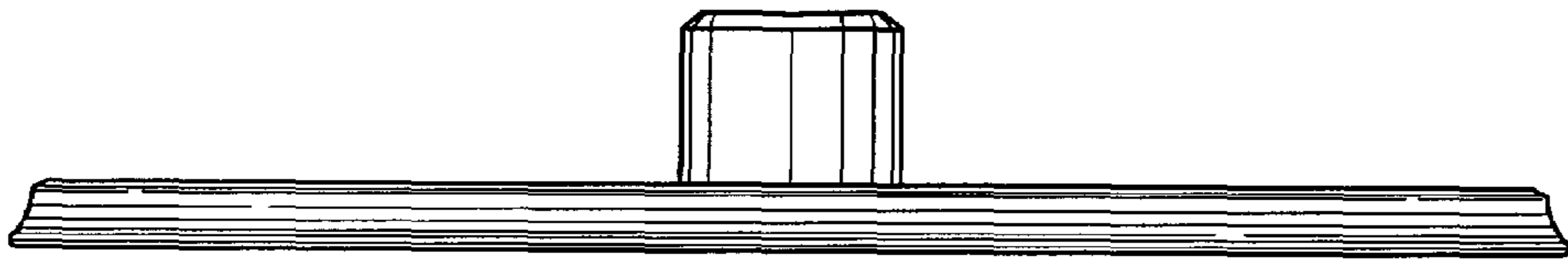


FIG. 2

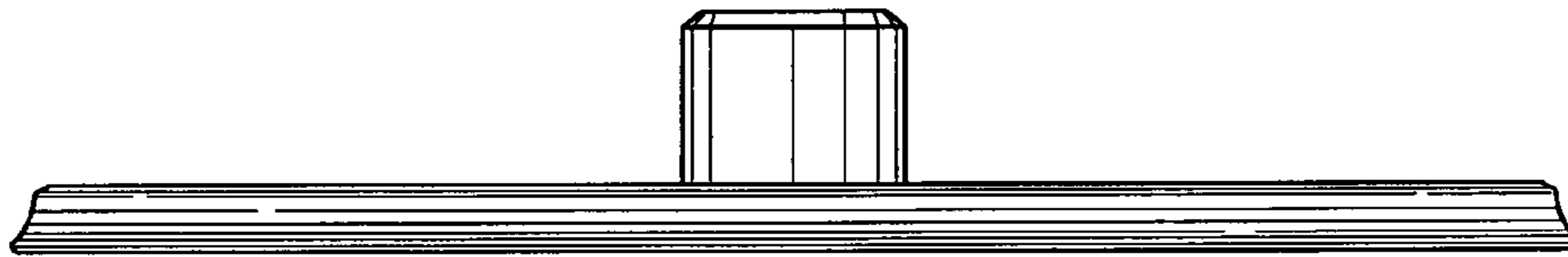


FIG. 3

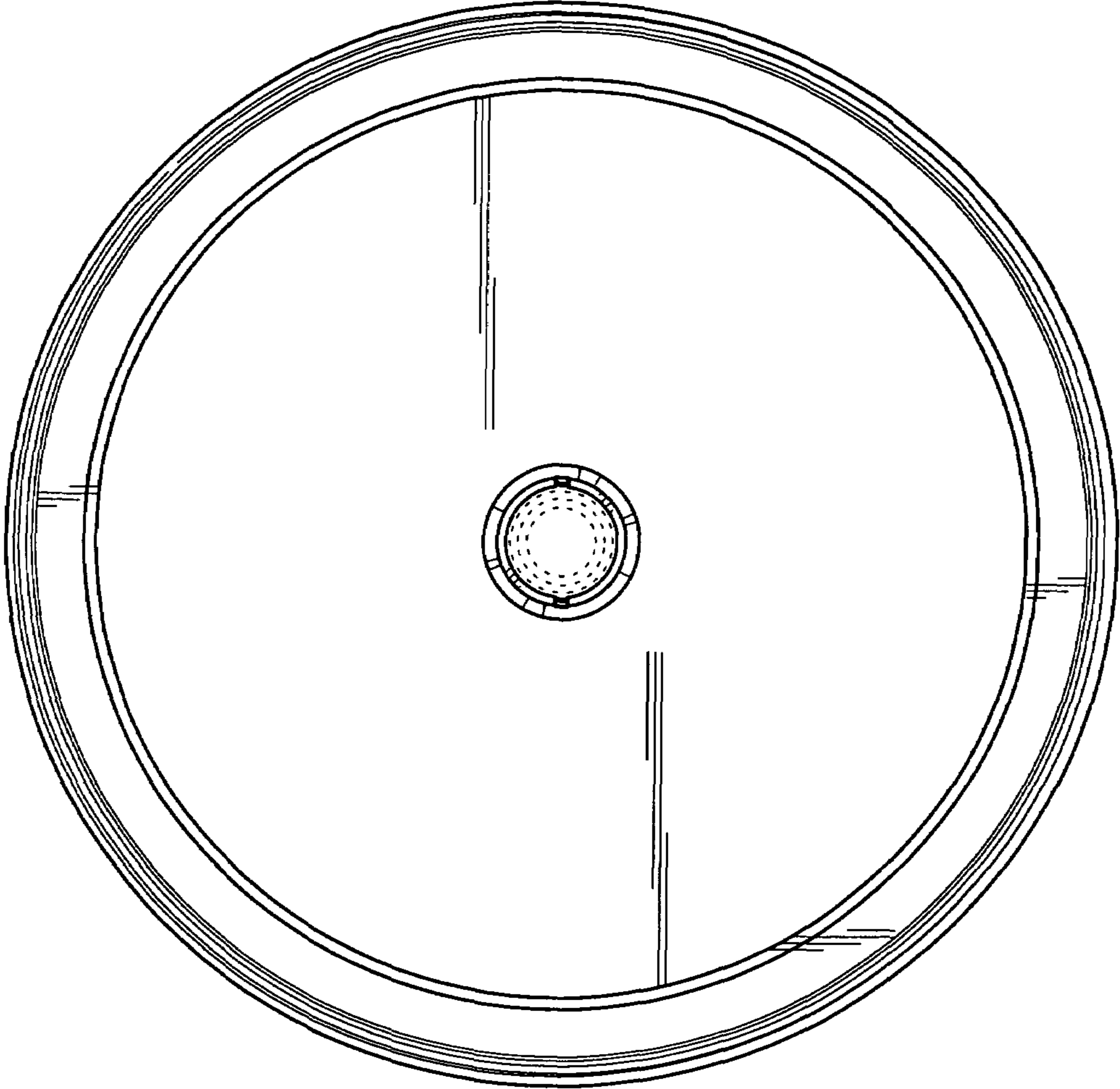


FIG. 4

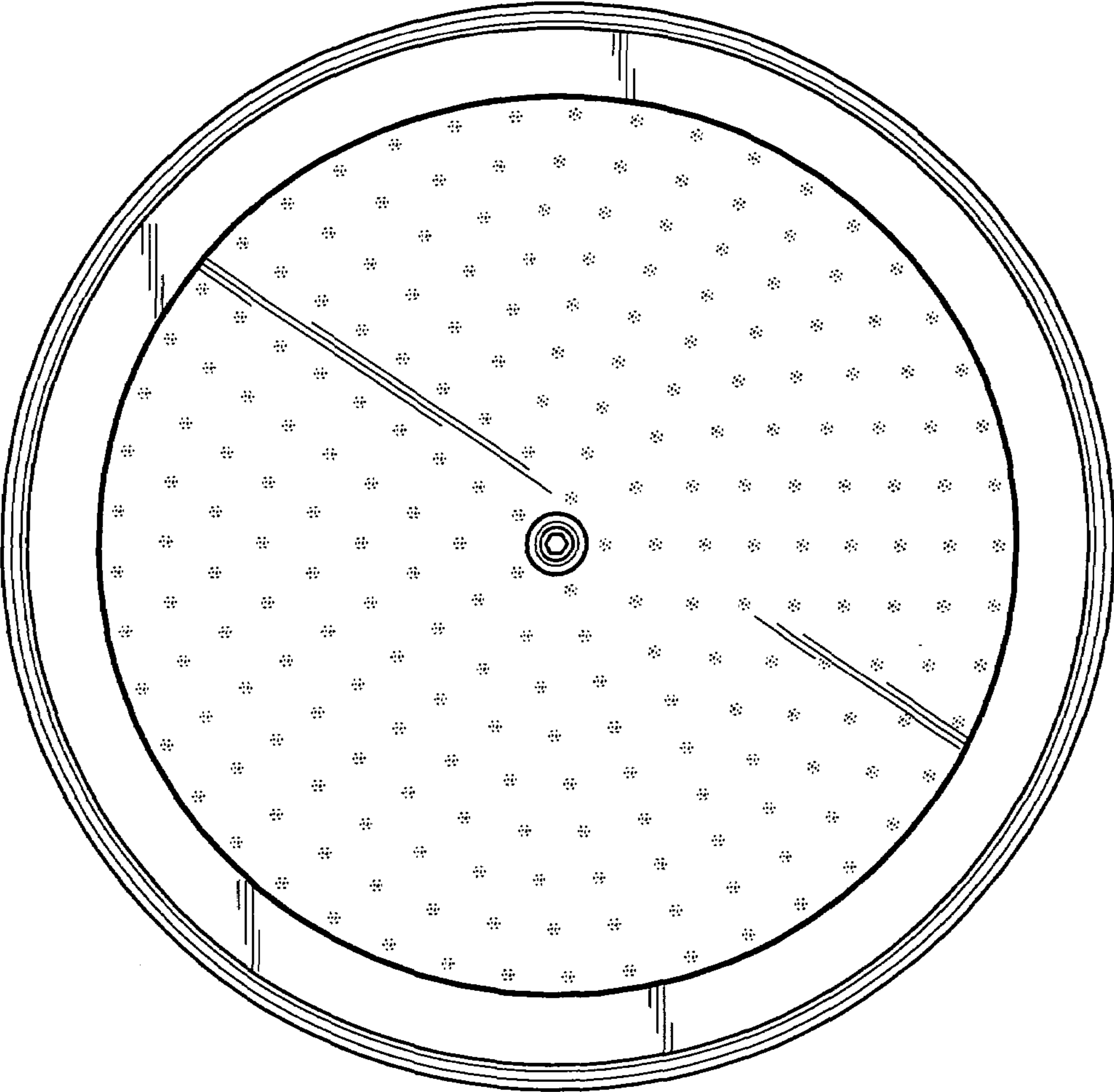


FIG. 5