



US00D593638S

(12) **United States Design Patent**
Nago

(10) **Patent No.:** **US D593,638 S**
(45) **Date of Patent:** **** Jun. 2, 2009**

(54) **FISHING REEL PORTION**

(75) Inventor: **Akira Nago**, Osaka (JP)

(73) Assignee: **Shimano Inc.**, Osaka (JP)

(**) Term: **14 Years**

(21) Appl. No.: **29/326,903**

(22) Filed: **Oct. 27, 2008**

(30) **Foreign Application Priority Data**

Jun. 4, 2008 (JP) 2008-014176

(51) **LOC (9) Cl.** **22-05**

(52) **U.S. Cl.** **D22/141**

(58) **Field of Classification Search** D22/141,
D22/140, 137-139; 242/223, 314, 310, 370;
43/19-21

See application file for complete search history.

(56) **References Cited**

U.S. PATENT DOCUMENTS

D388,860 S * 1/1998 Iwabuchi D22/141
D497,969 S * 11/2004 Iwabuchi D22/141
D500,835 S * 1/2005 Iwabuchi D22/141

* cited by examiner

Primary Examiner—Catherine R Oliver

(74) *Attorney, Agent, or Firm*—Global IP Counselors, LLP

(57) **CLAIM**

The ornamental design for a fishing reel portion, as shown and described.

DESCRIPTION

FIG. 1 is a top rear perspective view of a fishing reel portion as used in a fishing reel in accordance with my new design;

FIG. 2 is a bottom rear perspective view of the fishing reel portion of FIG. 1 as used in a fishing reel;

FIG. 3 is a first side elevational view of the fishing reel portion of FIG. 1 as used in a fishing reel;

FIG. 4 is a second side elevational view of the fishing reel portion of FIG. 1 as used in a fishing reel;

FIG. 5 is a top plan view of the fishing reel portion of FIG. 1 as used in a fishing reel;

FIG. 6 is a bottom plan view of the fishing reel portion of FIG. 1 as used in a fishing reel;

FIG. 7 is a rear end elevational view of the fishing reel portion of FIG. 1 as used in a fishing reel;

FIG. 8 is a front end elevational view of the fishing reel portion of FIG. 1 as used in a fishing reel;

FIG. 9 is top rear perspective view of the fishing reel portion of FIG. 1 as used in a fishing reel, but with an unclaimed portion in an alternate position from that shown in FIG. 1;

FIG. 10 is a side elevational view of the fishing reel portion of FIG. 1 as used in a fishing reel, but with an unclaimed portion in the alternate position shown in FIG. 10, which is different from that shown in FIG. 1;

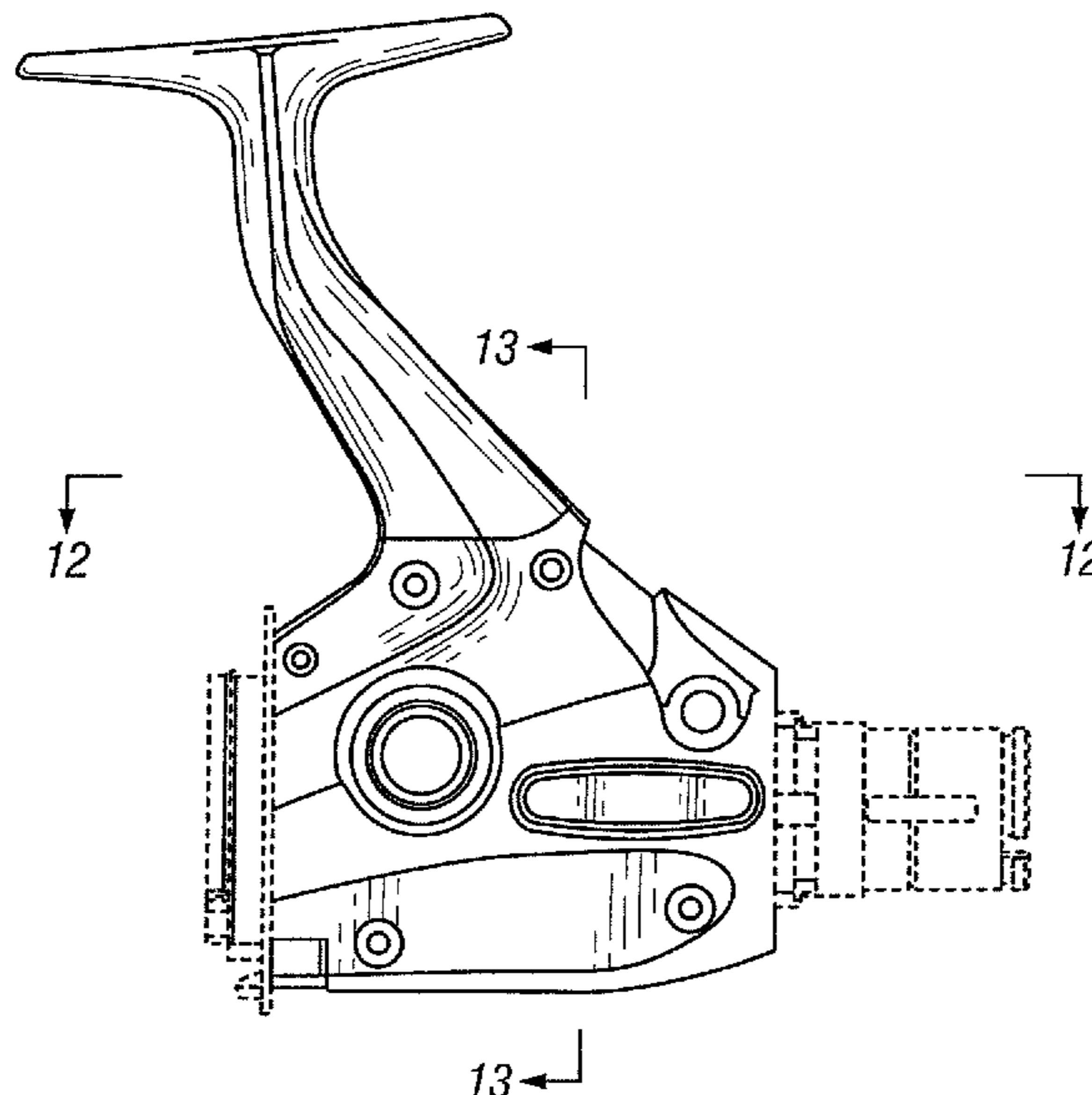
FIG. 11 is a side elevational view of the fishing reel portion of FIG. 1, separated from the remaining parts of fishing reel;

FIG. 12 is a cross sectional view of the fishing reel portion as seen along sectional line 12—12 of FIG. 11; and,

FIG. 13 is a cross sectional view of the fishing reel portion as seen along sectional line 13—13 of FIG. 11.

The portions shown in broken lines form no part of the claimed design. The broken lines in the drawing show environmental structure (the remaining structure of the fishing reel portion) or boundaries that form no part of the claimed design to be patented. The cross sectional views of FIGS. 12 and 13 are provided to better understand the exterior contour of the claimed design and do not depict color or material of the claimed design.

1 Claim, 7 Drawing Sheets



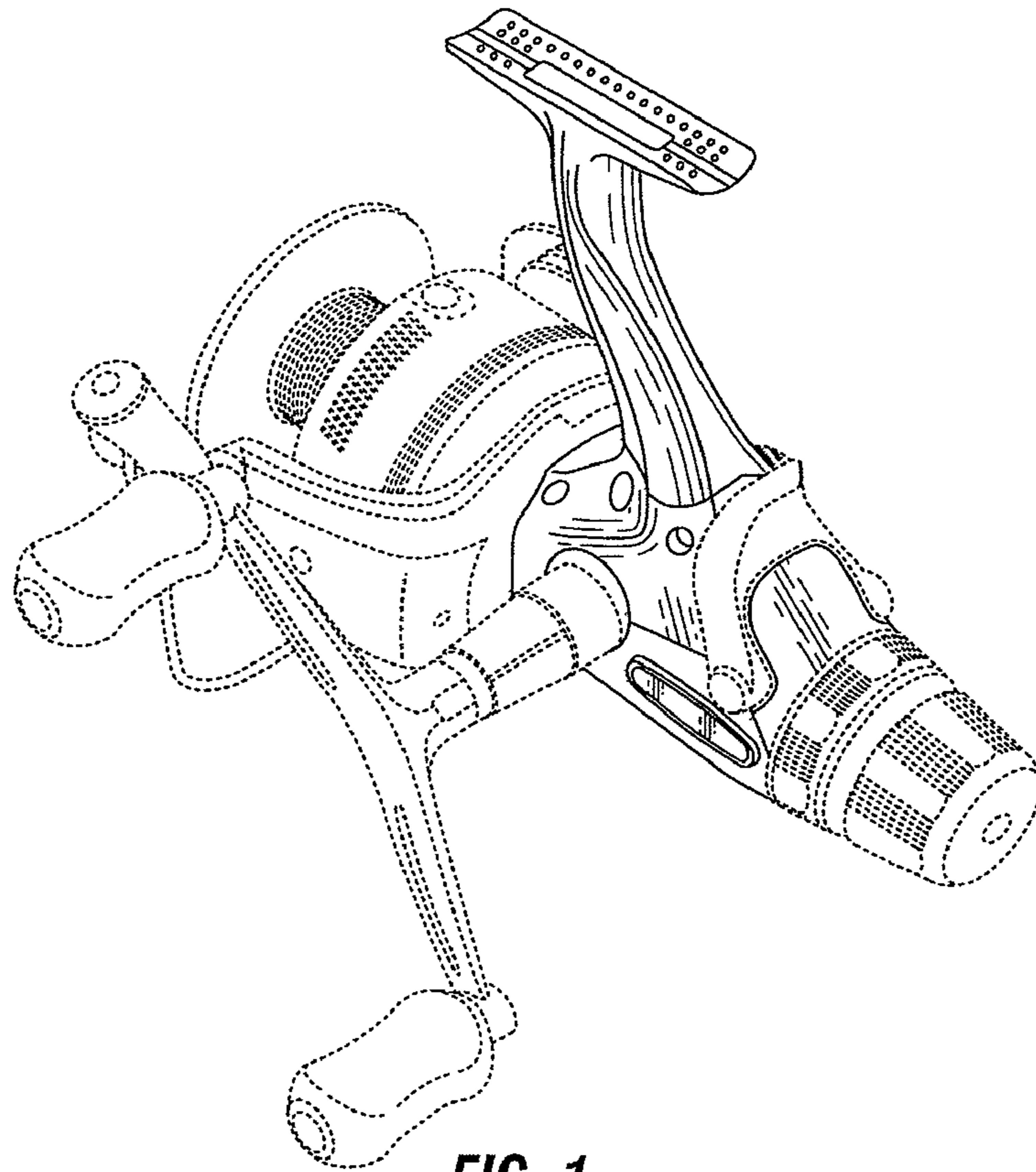


FIG. 1

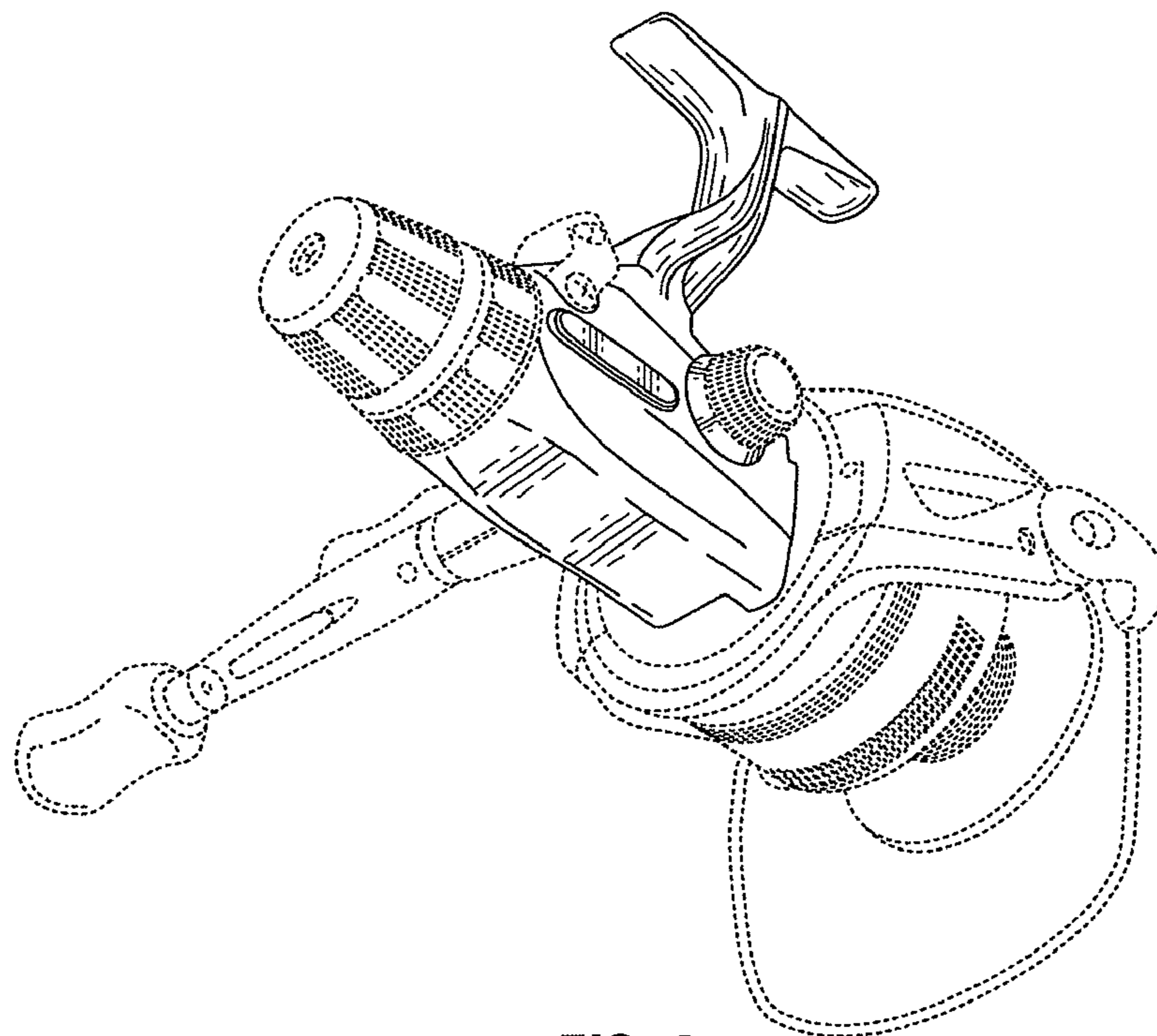


FIG. 2

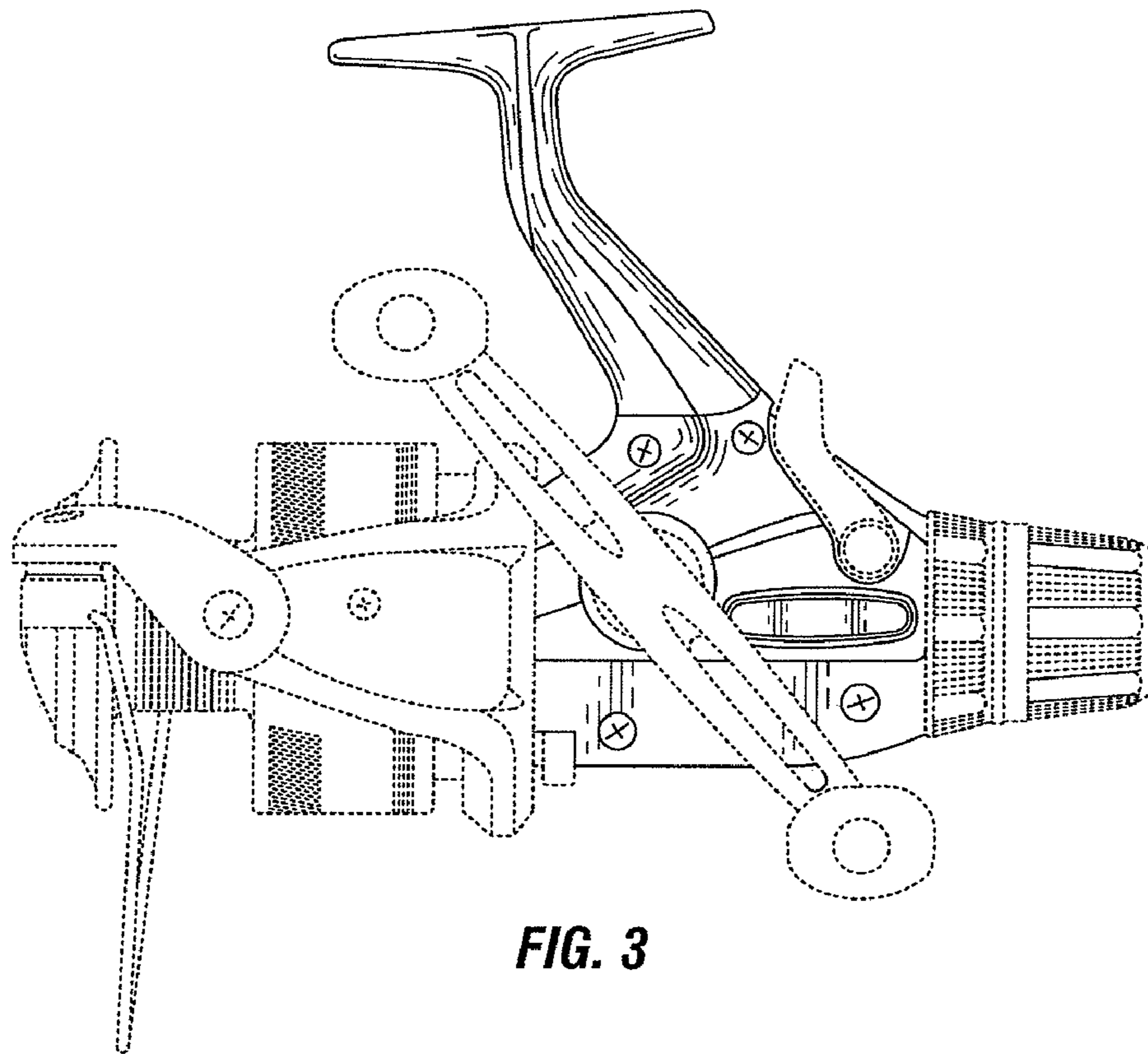


FIG. 3

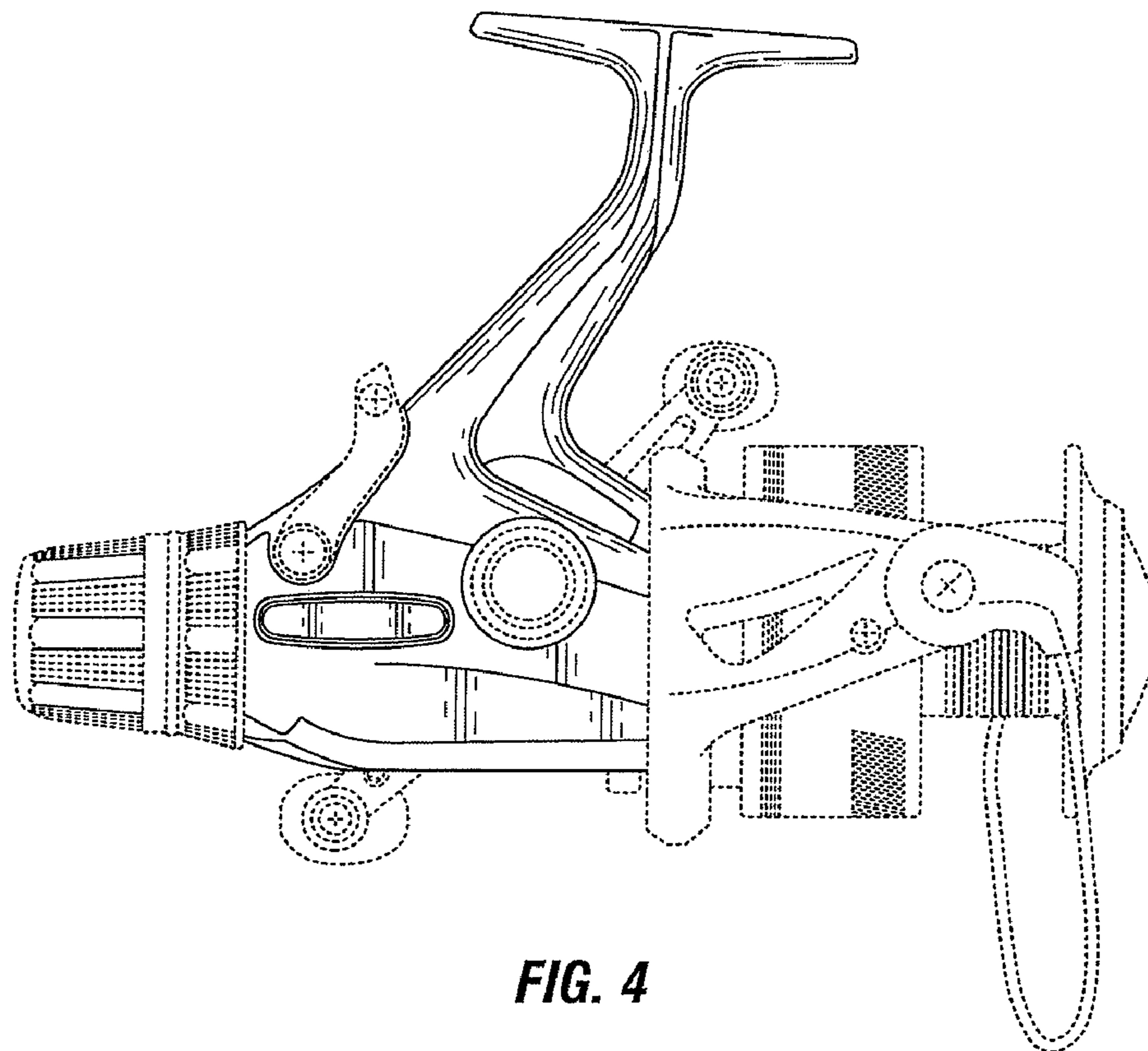


FIG. 4

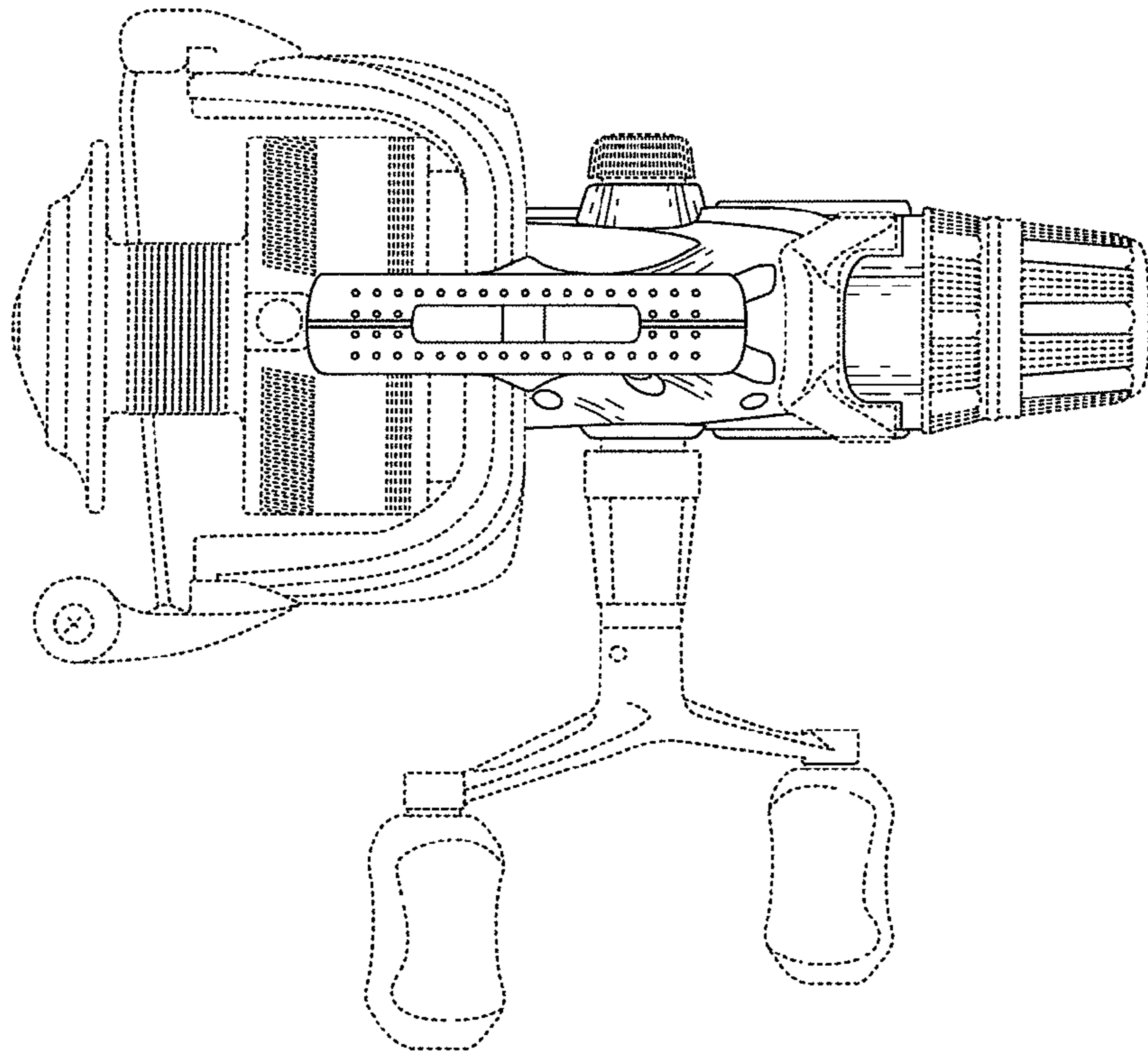


FIG. 5

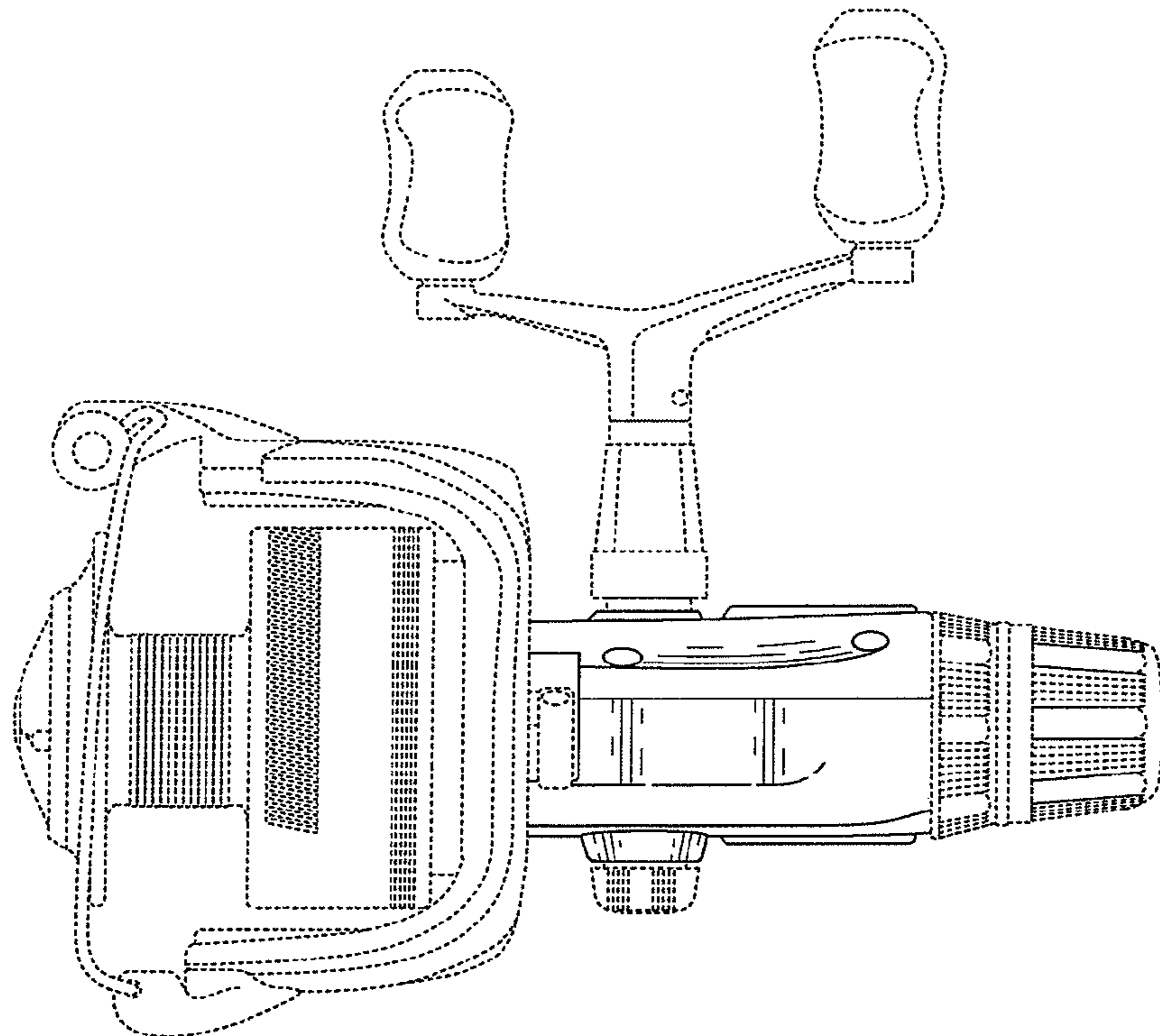


FIG. 6

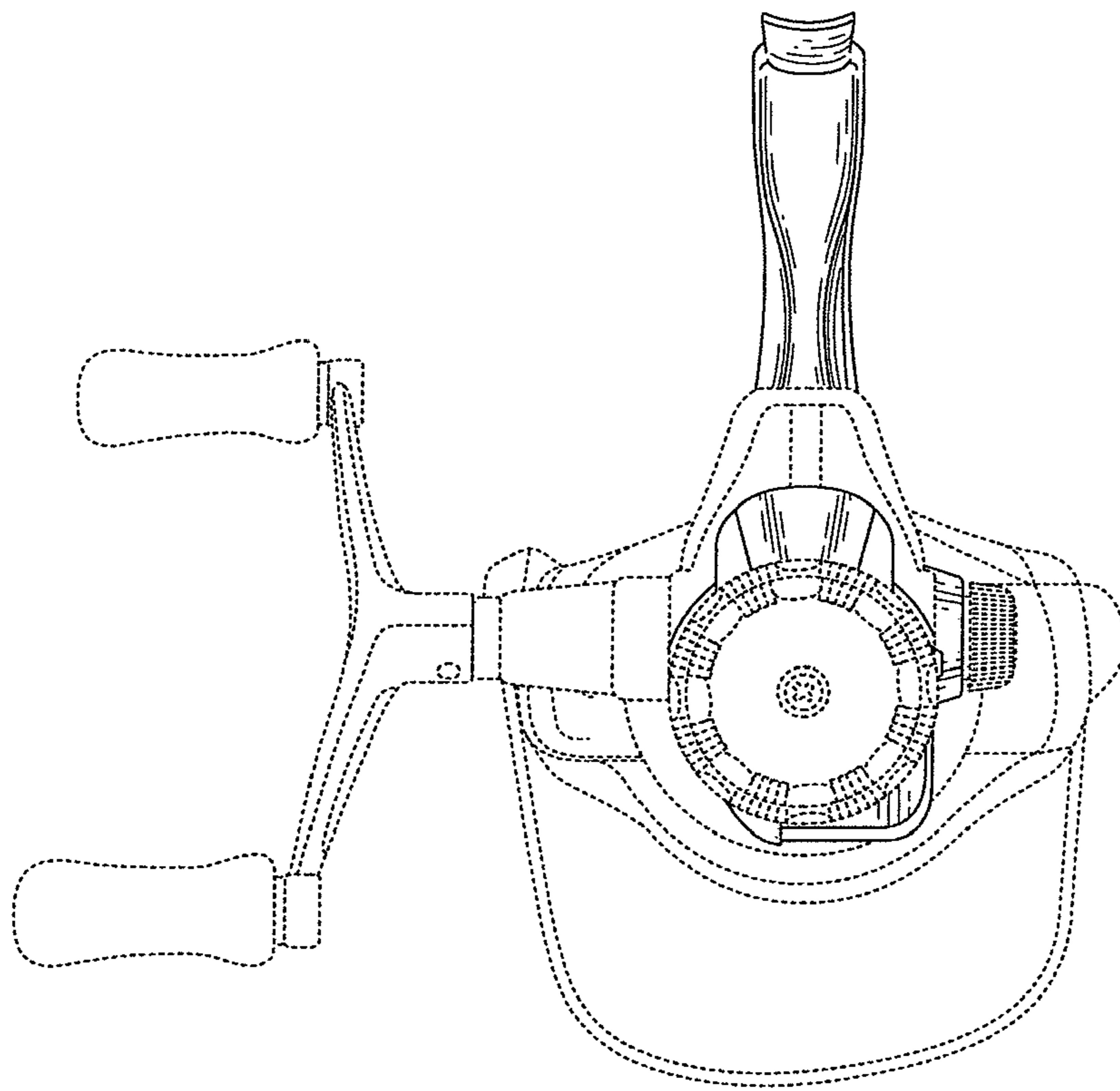


FIG. 7

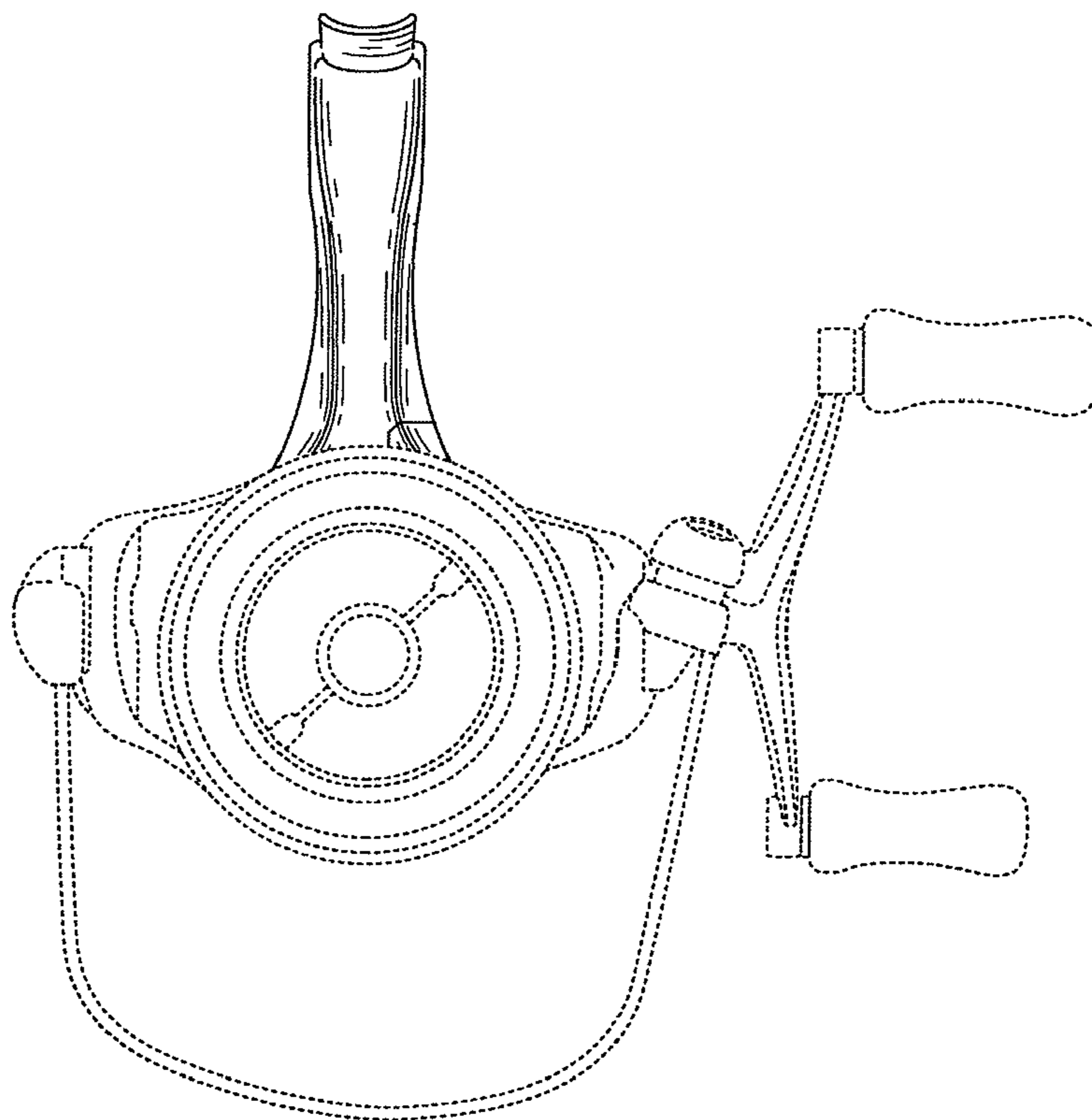


FIG. 8

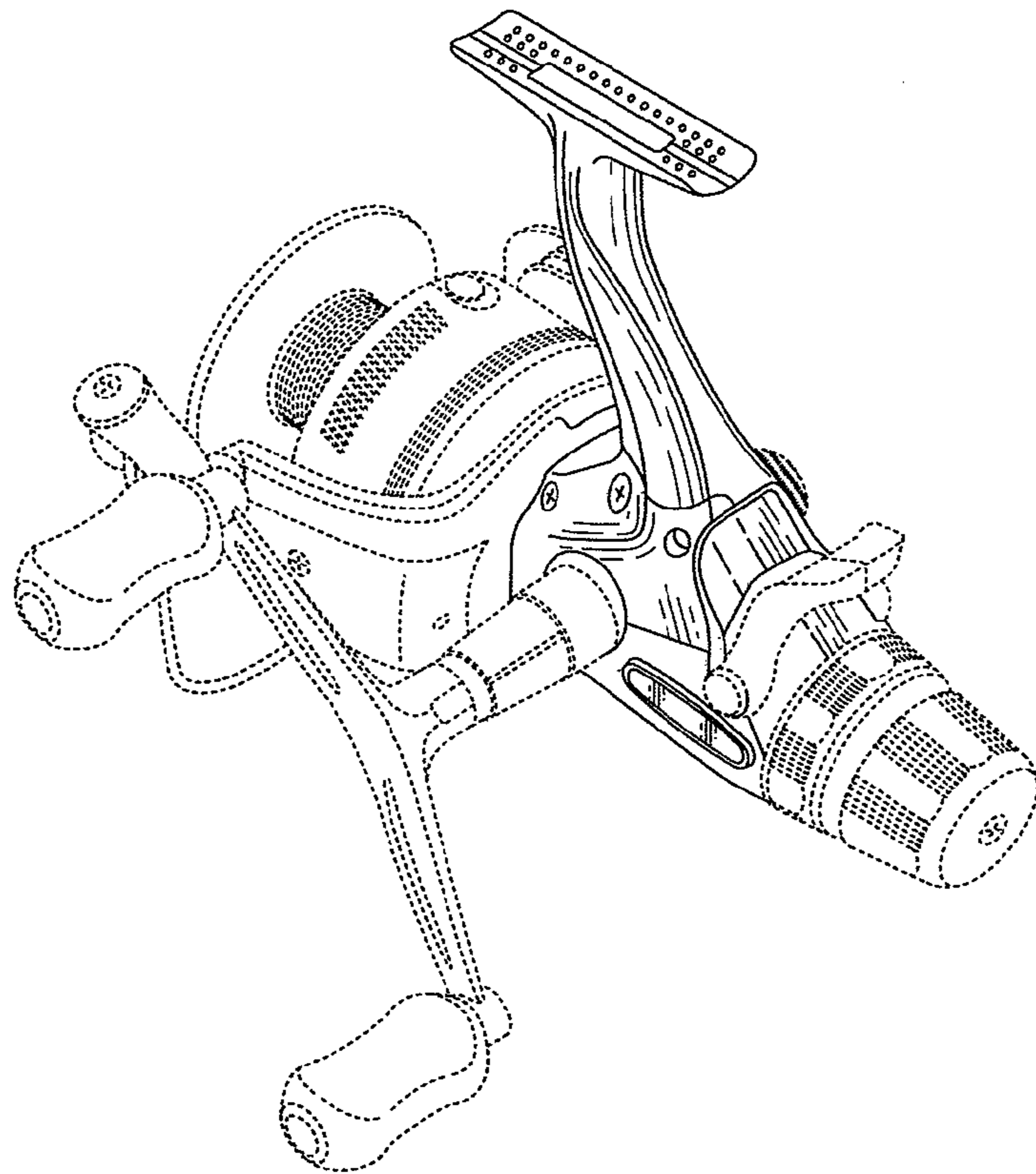


FIG. 9

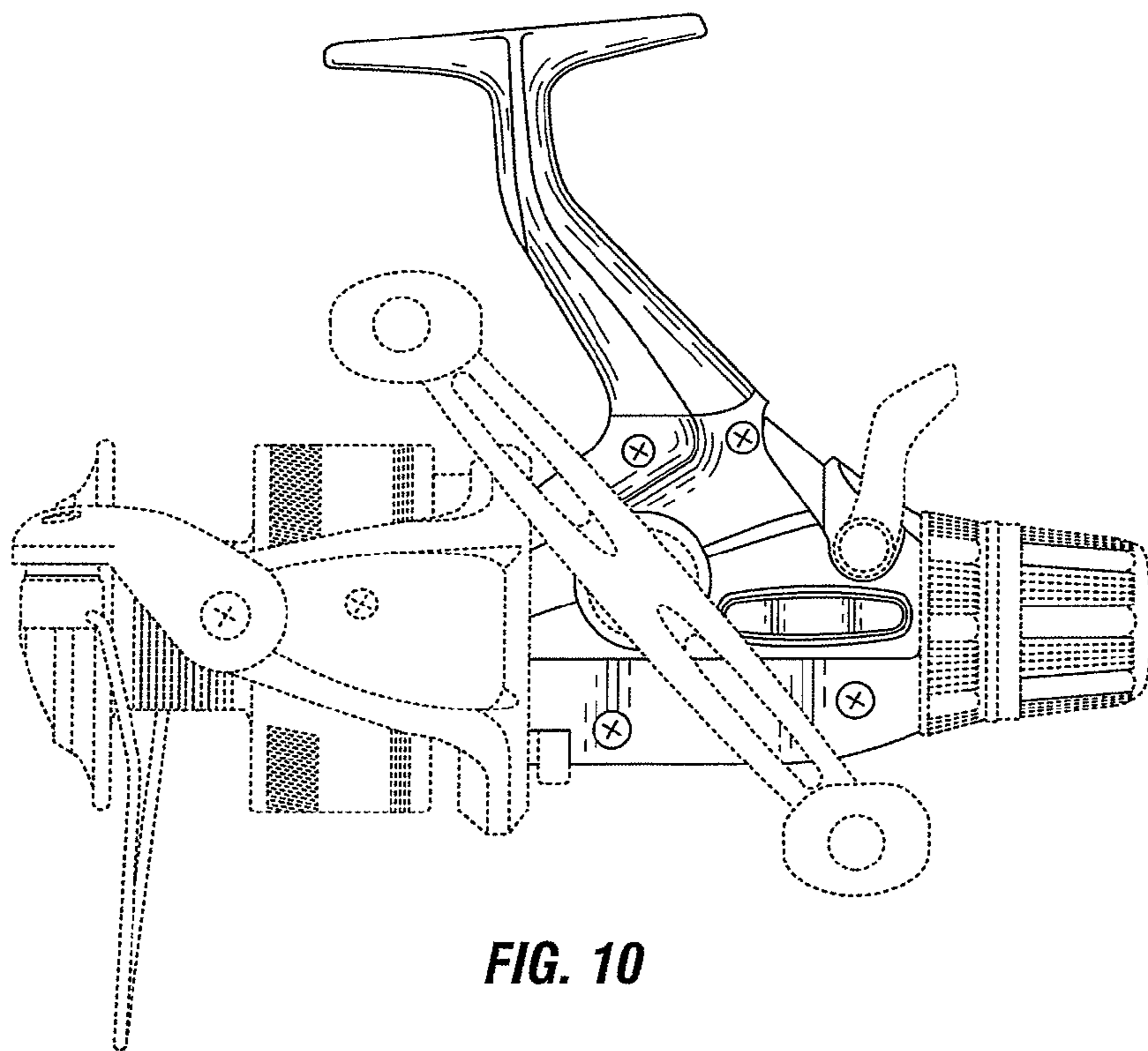


FIG. 10

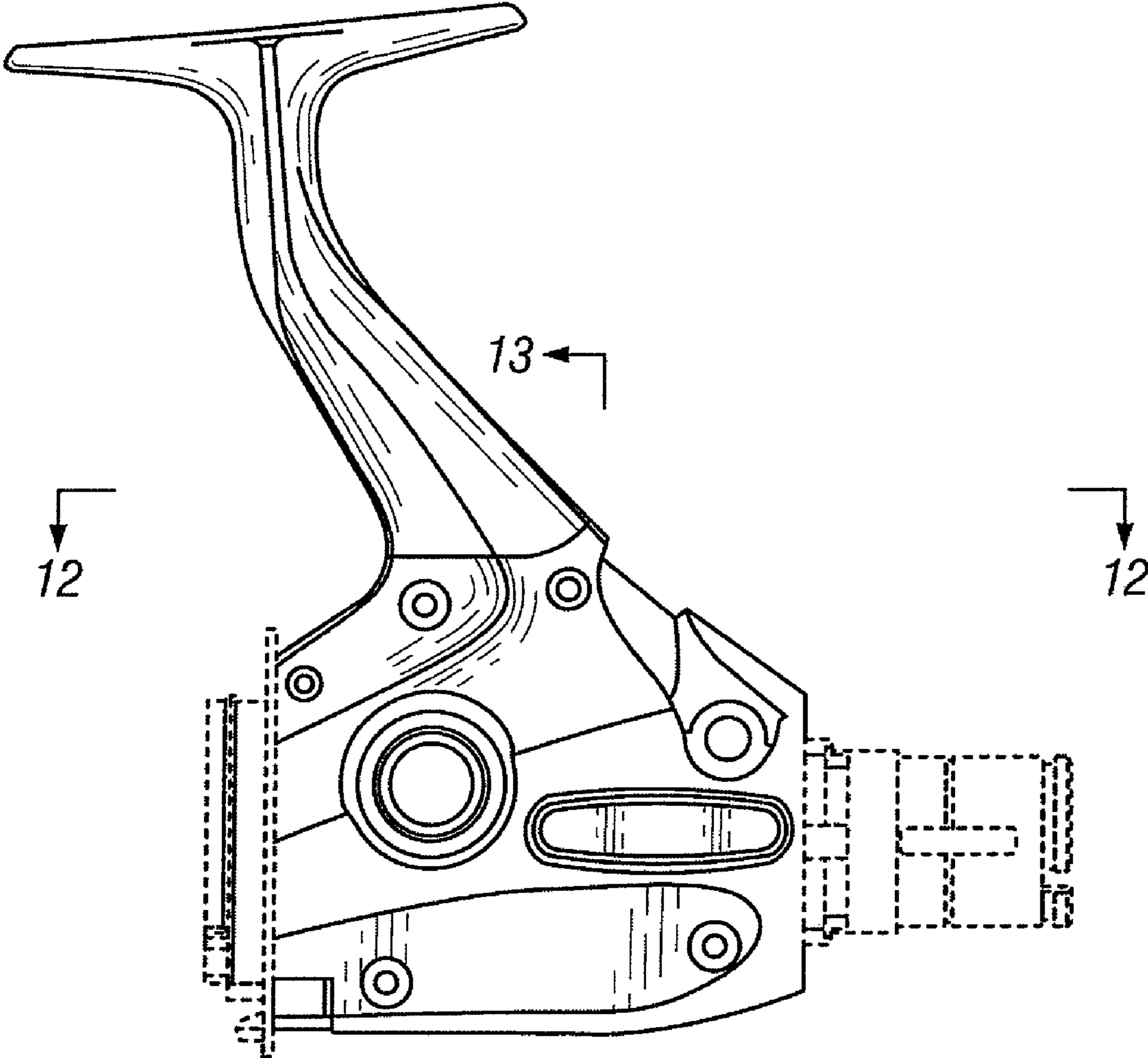


FIG. 11

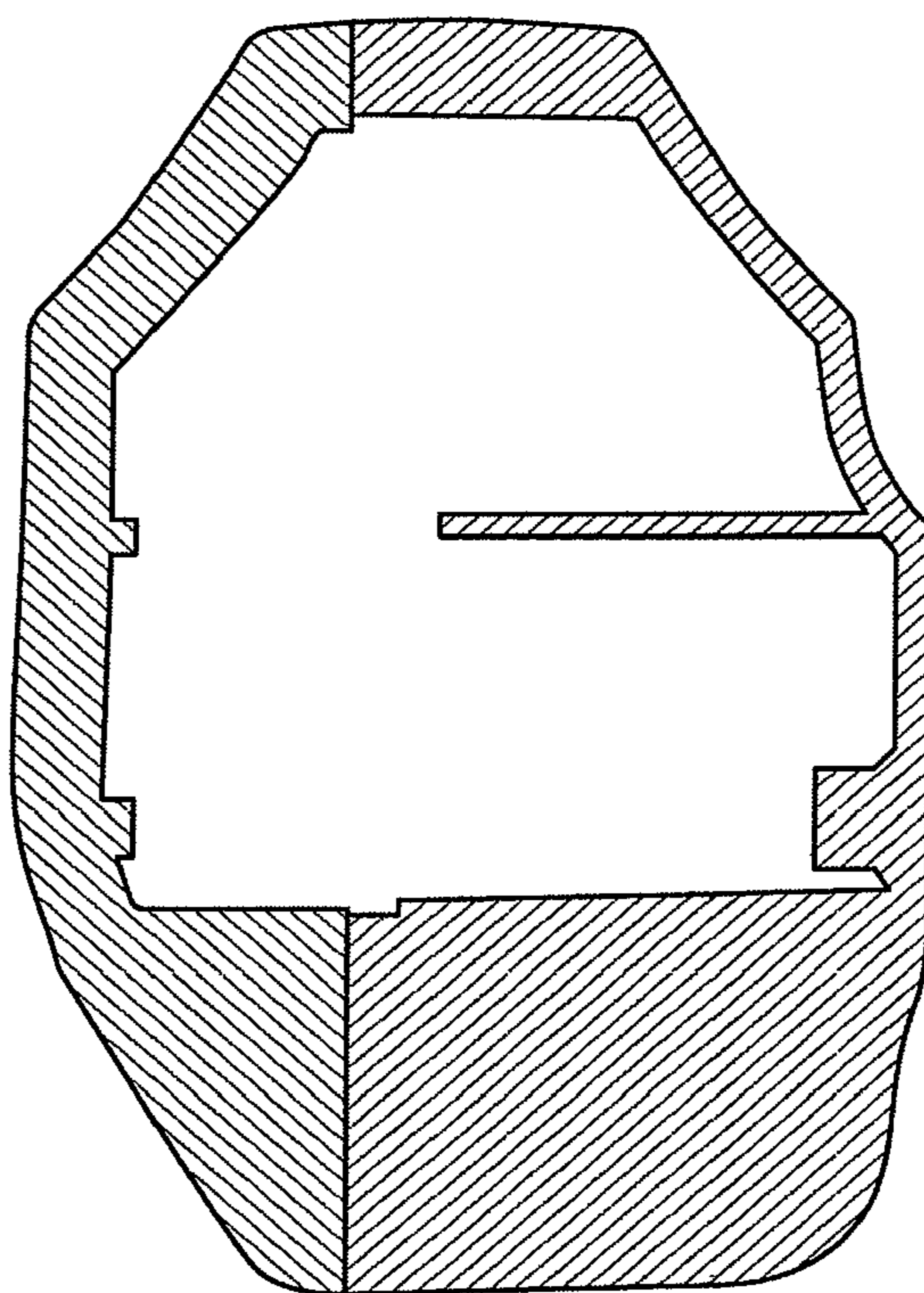


FIG. 12

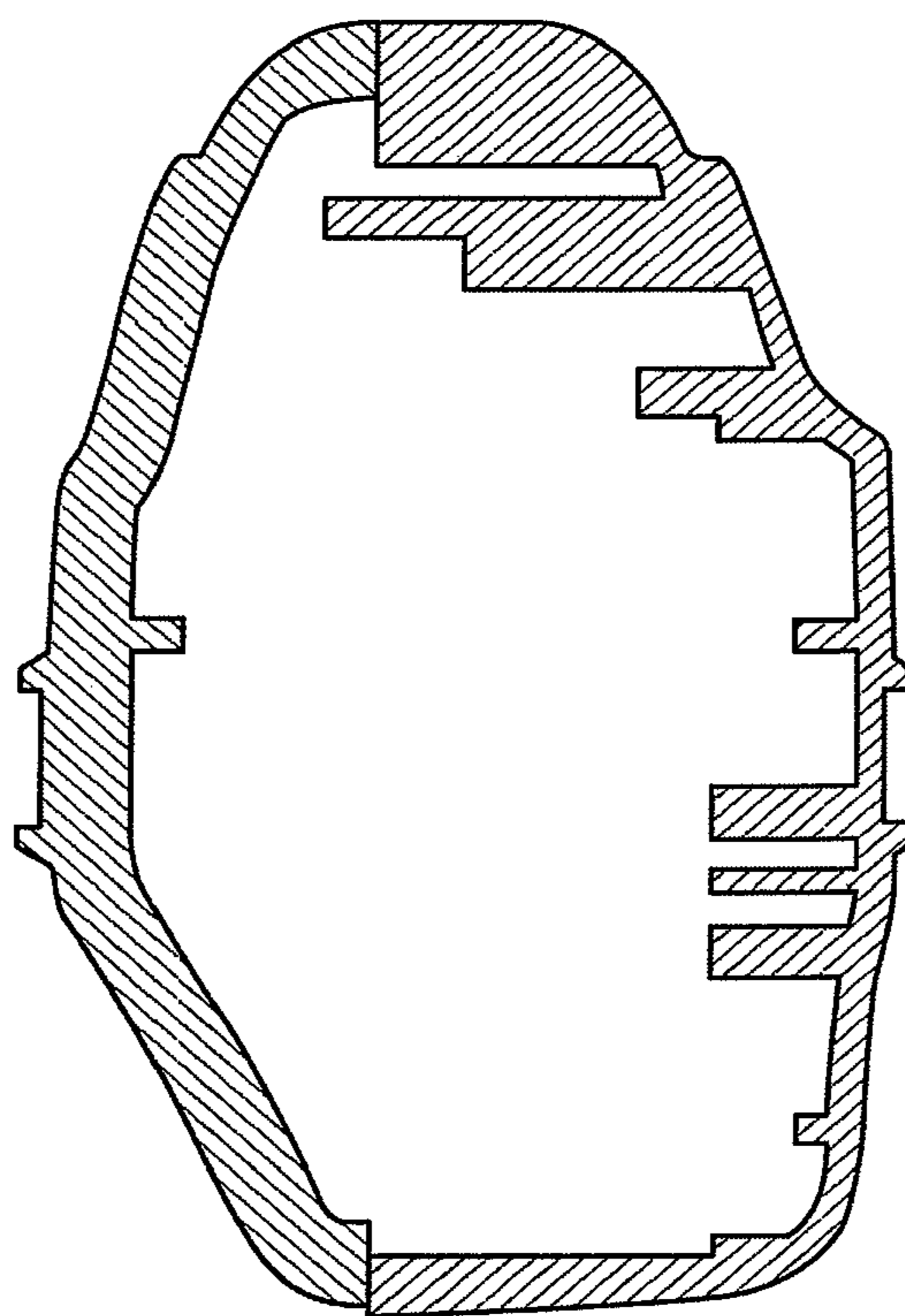


FIG. 13