



US00D593637S

(12) **United States Design Patent**  
**Kobayashi**

(10) **Patent No.:** **US D593,637 S**

(45) **Date of Patent:** **\*\* Jun. 2, 2009**

(54) **FISHING REEL**

(75) Inventor: **Mikiharu Kobayashi**, Tokyo (JP)

(73) Assignee: **Daiwa Seiko, Inc.**, Tokyo (JP)

(\*\*) Term: **14 Years**

(21) Appl. No.: **29/324,624**

(22) Filed: **Sep. 16, 2008**

(30) **Foreign Application Priority Data**

Apr. 3, 2008 (JP) ..... 2008-008641

(51) **LOC (9) Cl.** ..... **22-05**

(52) **U.S. Cl.** ..... **D22/140**

(58) **Field of Classification Search** ..... D22/137-141;  
43/20-24; 242/234-240, 310-312, 314,  
242/317, 319, 323, 283

See application file for complete search history.

(56) **References Cited**

**U.S. PATENT DOCUMENTS**

D367,515 S \* 2/1996 Robbins et al. .... D22/140

D502,754 S \* 3/2005 Tao ..... D22/140

D565,691 S \* 4/2008 Young ..... D22/140

\* cited by examiner

*Primary Examiner*—Catherine R Oliver

(74) *Attorney, Agent, or Firm*—Baker & McKenzie LLP

(57) **CLAIM**

The ornamental design for a fishing reel, as shown and described.

**DESCRIPTION**

FIG. 1 is a top view of the fishing reel in accordance with my design;

FIG. 2 is a bottom view of the fishing reel shown in FIG. 1;

FIG. 3 is a front view of the fishing reel shown in FIGS. 1-2;

FIG. 4 is a front perspective view of the fishing reel shown in FIGS. 1-3;

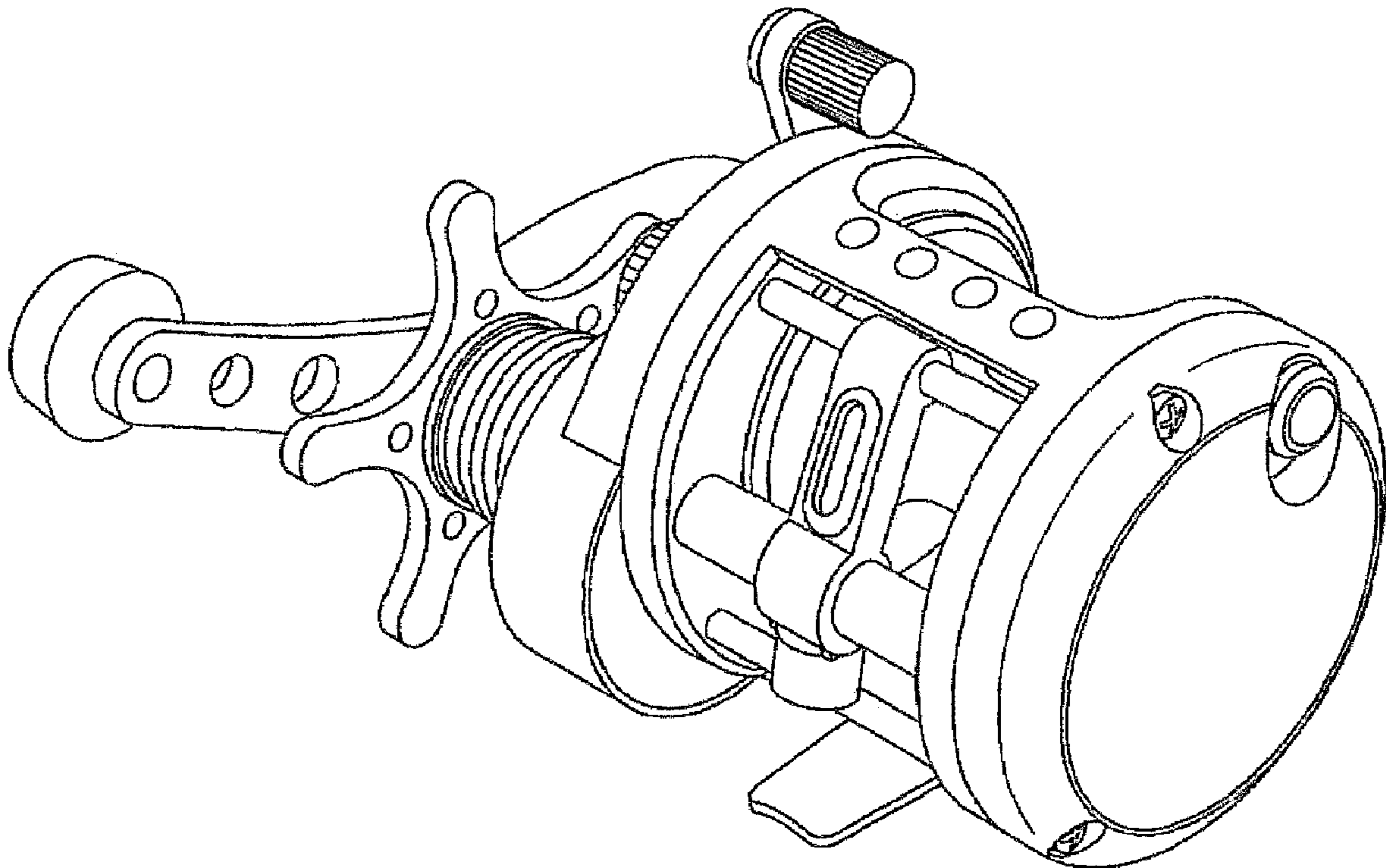
FIG. 5 is a rear view of the fishing reel shown in FIGS. 1-4;

FIG. 6 is a rear perspective view of the fishing reel shown in FIGS. 1-5;

FIG. 7 is a right side view of the fishing reel shown in FIGS. 1-6; and,

FIG. 8 is a left side view of the fishing reel shown in FIGS. 1-7.

**1 Claim, 8 Drawing Sheets**



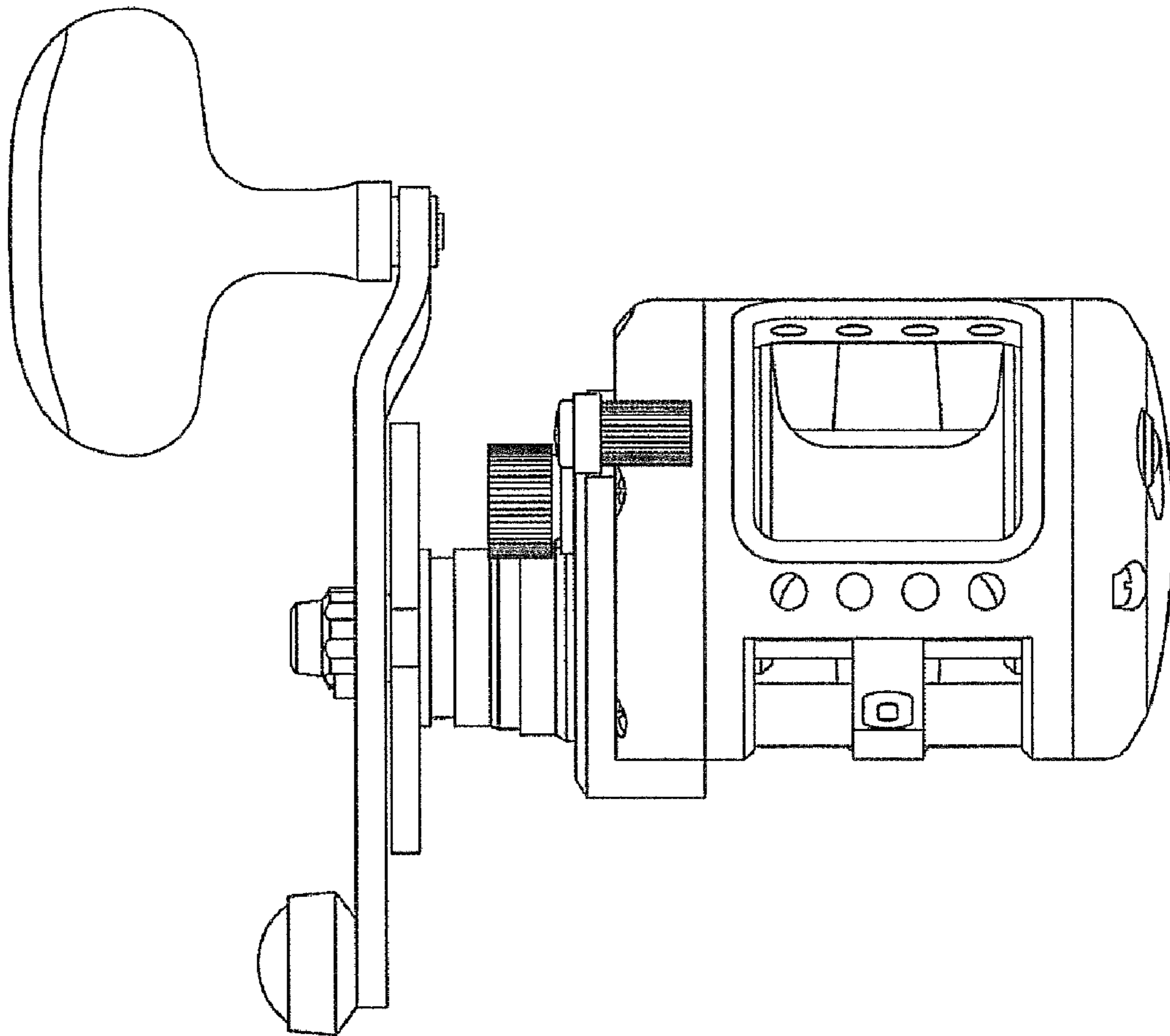


Fig.1

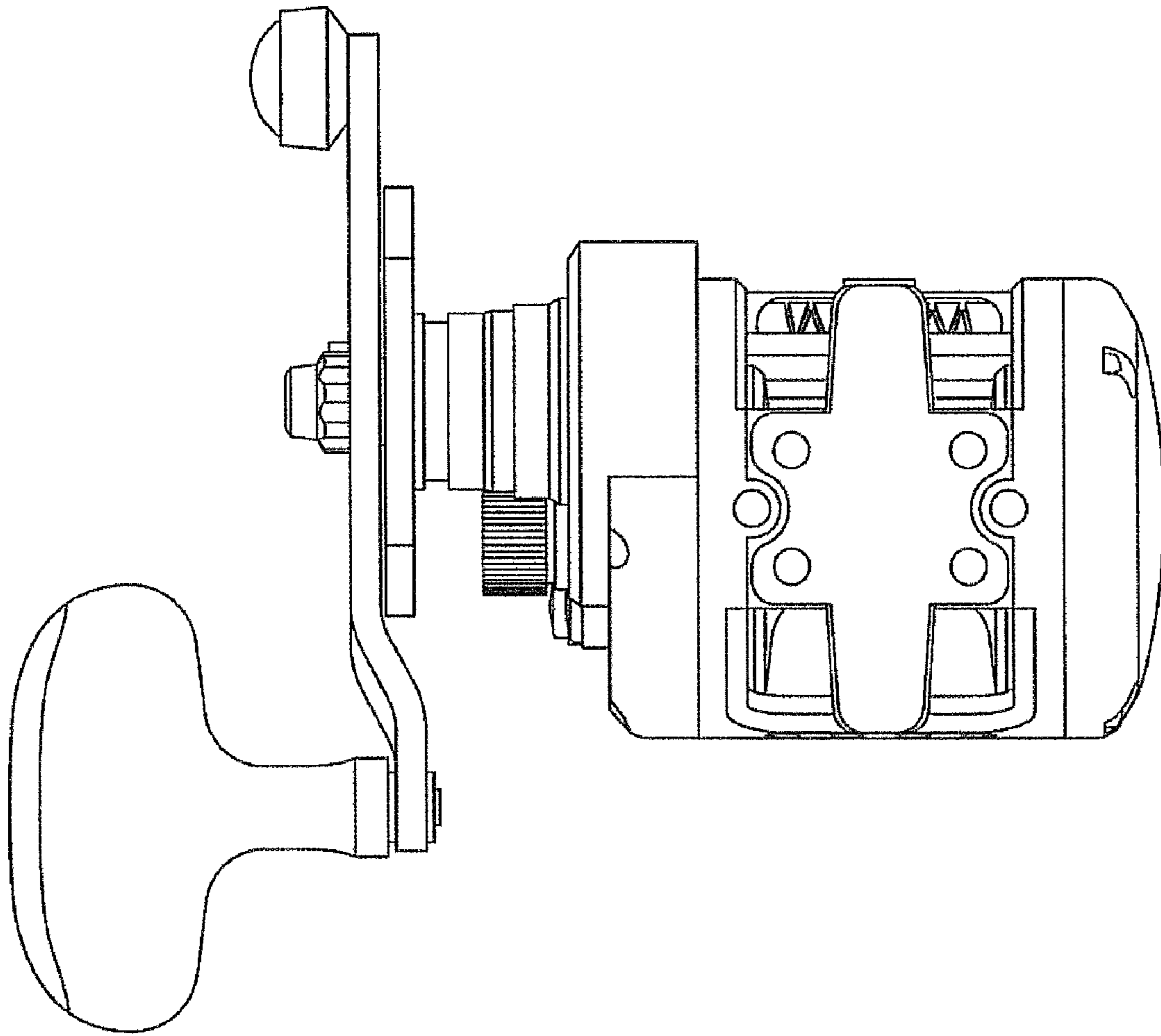


Fig.2

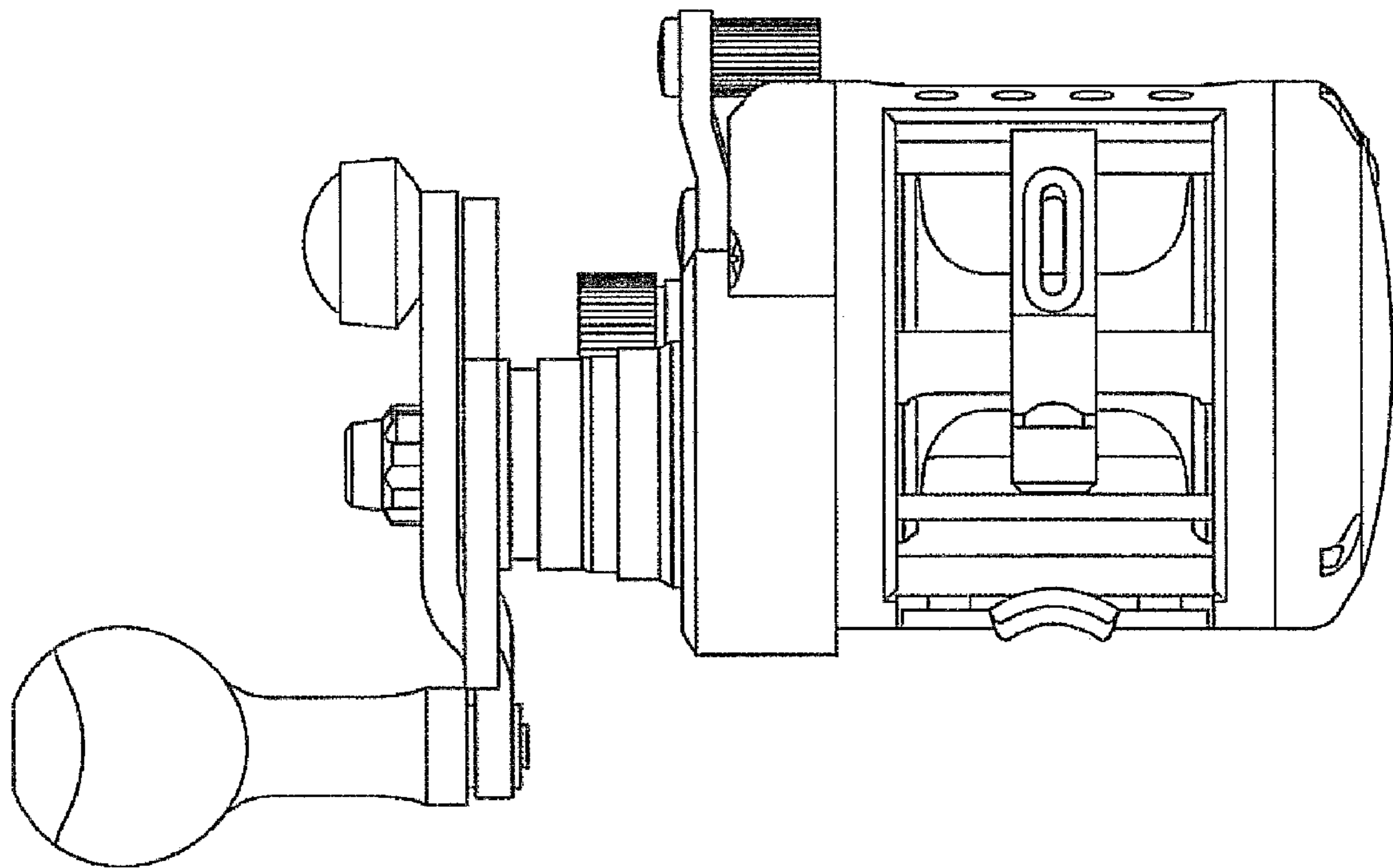


Fig. 3

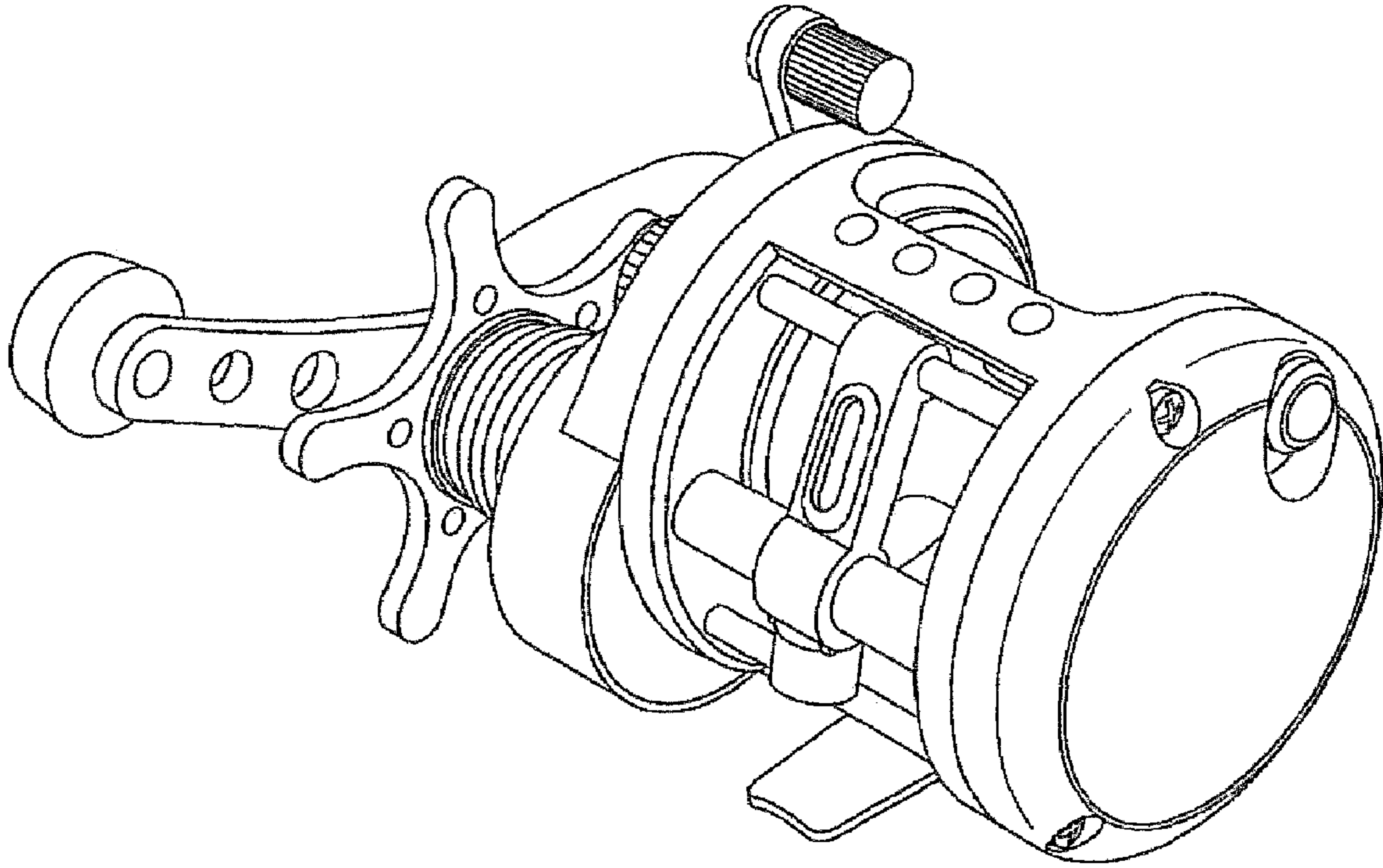


Fig.4

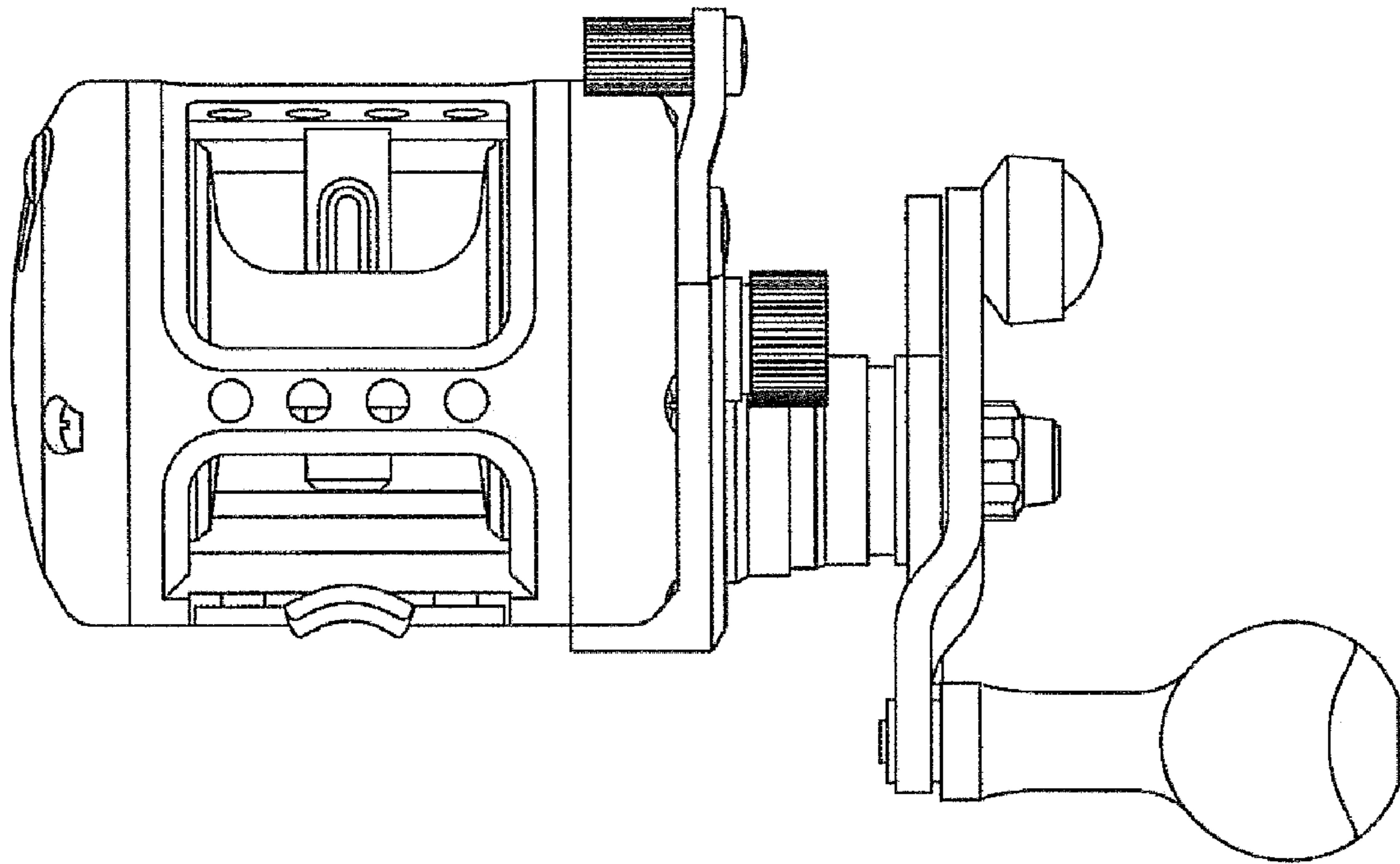


Fig.5

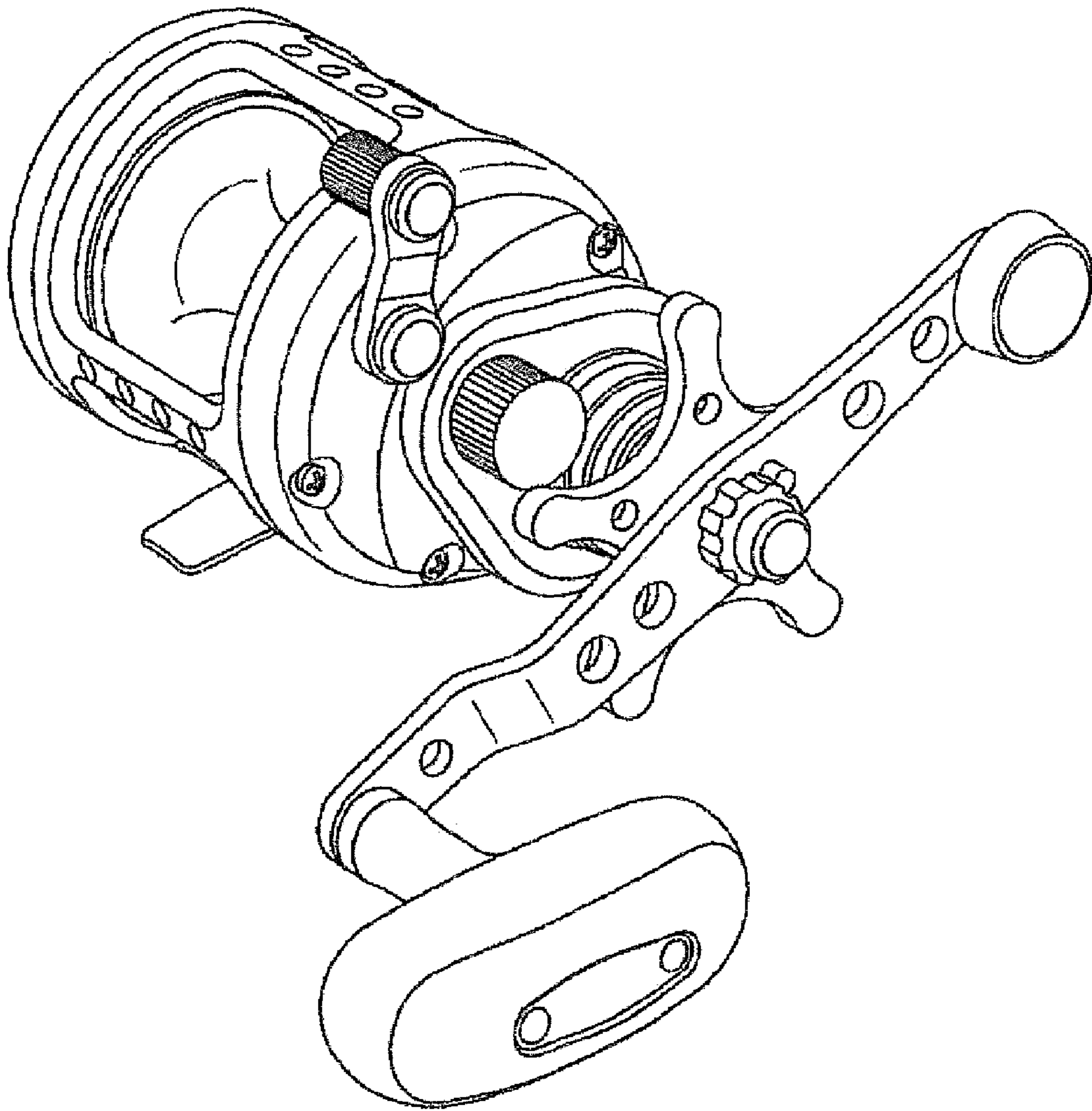


Fig.6

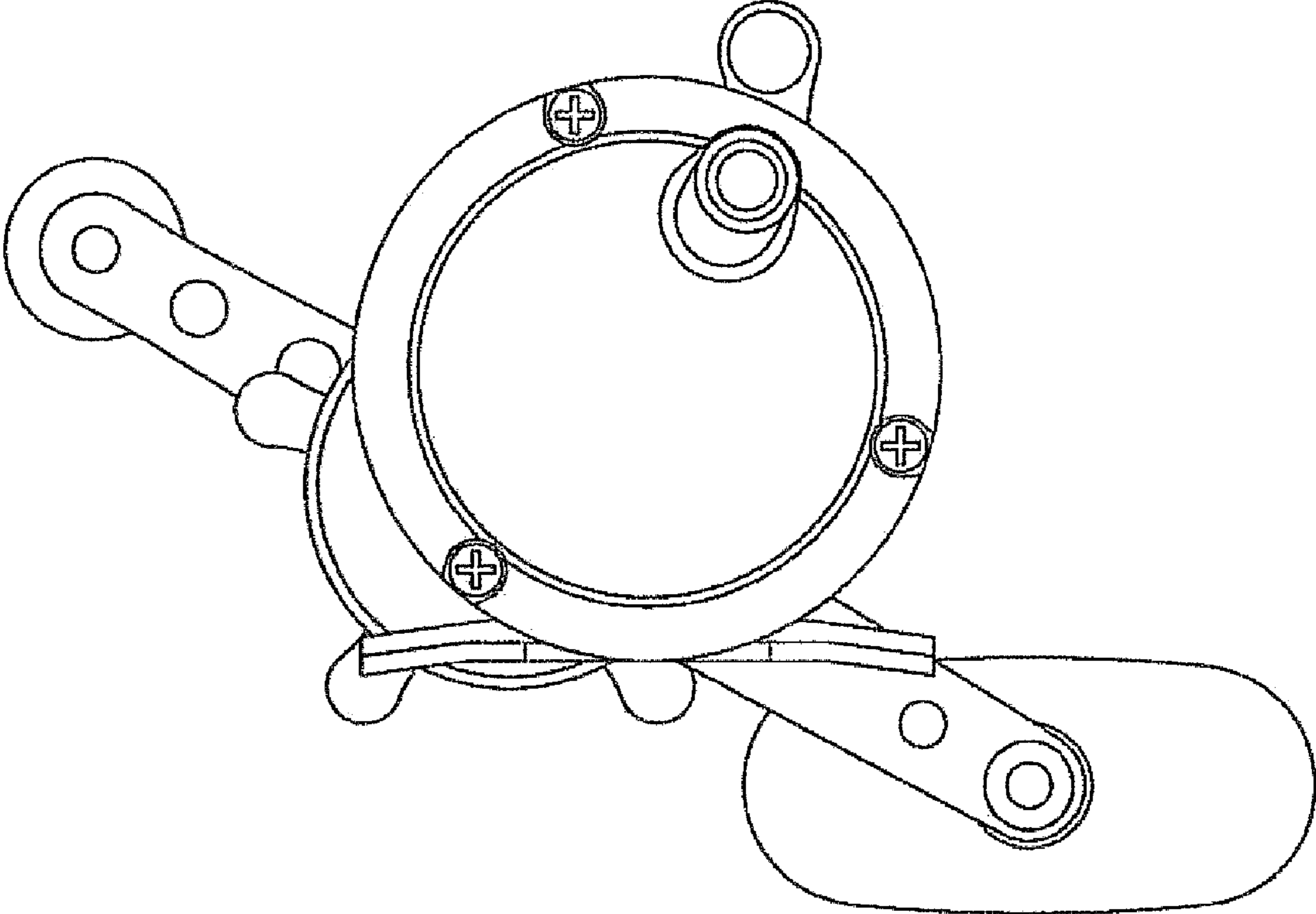


Fig.7



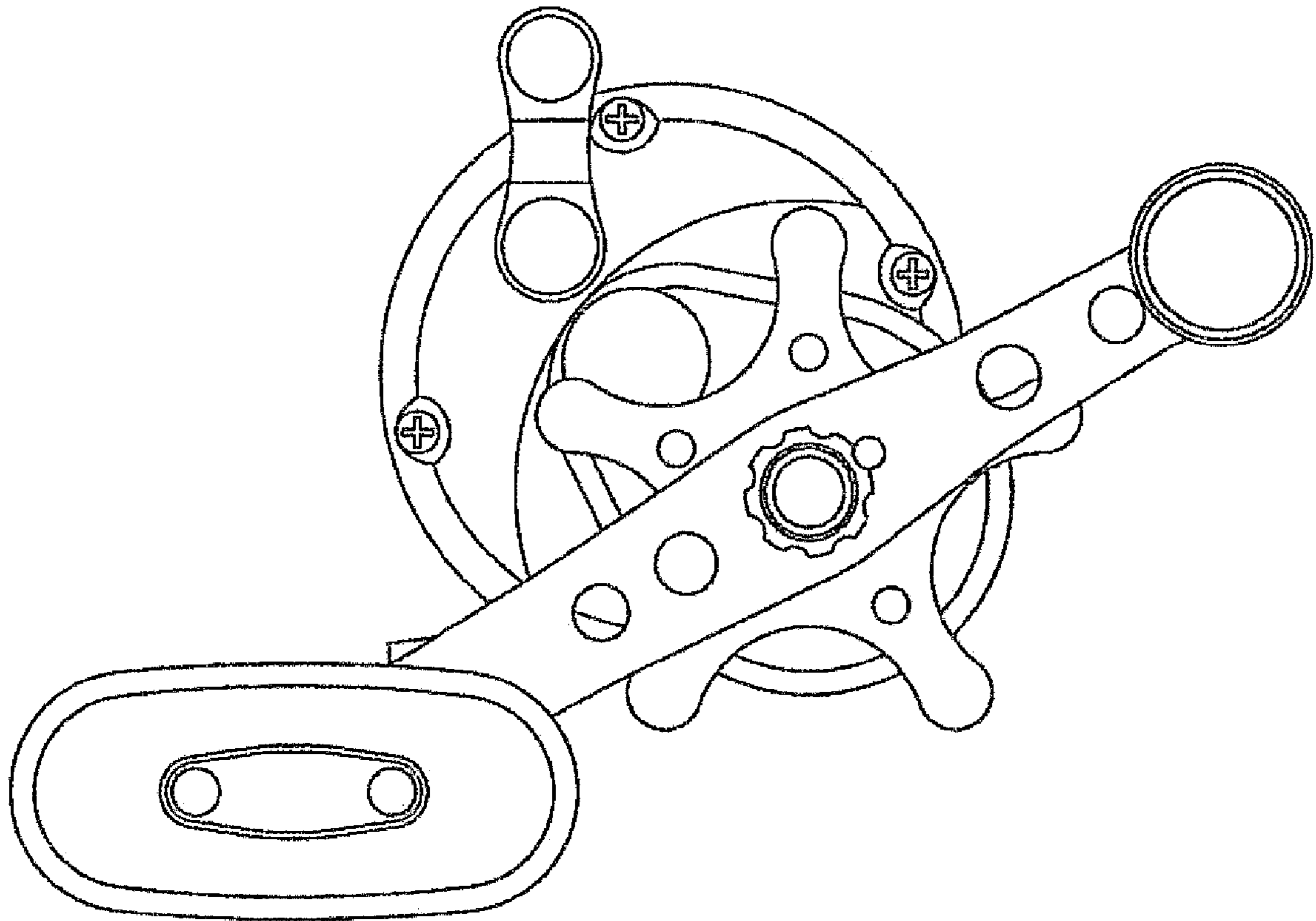


Fig.8