



US00D593634S

(12) **United States Design Patent**  
**Fitzpatrick et al.**

(10) **Patent No.:** **US D593,634 S**  
(45) **Date of Patent:** **\*\* Jun. 2, 2009**

(54) **FLOOR PLATE FOR AN AMMUNITION  
MAGAZINE**

(75) Inventors: **Richard M. Fitzpatrick**, Denver, CO  
(US); **Michael T. Mayberry**, Denver,  
CO (US)

(73) Assignee: **Magpul Industries Corp.**, Erie, CO  
(US)

(\*\*) Term: **14 Years**

(21) Appl. No.: **29/303,185**

(22) Filed: **Feb. 1, 2008**

(51) **LOC (9) Cl.** ..... **22-01**

(52) **U.S. Cl.** ..... **D22/108**

(58) **Field of Classification Search** ..... D22/100-116;  
D21/572, 573; 124/66, 67, 74; 42/51, 71.01,  
42/75.01, 75.02, 90, 94; 362/110; 33/241;  
89/40.06, 37.04, 33.04, 191.01

See application file for complete search history.

(56) **References Cited**

**U.S. PATENT DOCUMENTS**

2,620,582	A *	12/1952	Stukas	42/50
3,758,978	A *	9/1973	Theodore	42/71.02
4,107,863	A *	8/1978	Musgrave	42/50
4,343,107	A *	8/1982	Kaltenegger	42/7
4,397,109	A *	8/1983	Pachmayr et al.	42/50
4,495,720	A *	1/1985	Bross	42/7
4,514,922	A *	5/1985	Farrar et al.	42/50
4,520,585	A *	6/1985	Barrett	42/7
4,539,889	A *	9/1985	Glock	89/147
4,586,281	A *	5/1986	Chesnut	42/50
4,592,160	A *	6/1986	Bross	42/7
4,765,081	A *	8/1988	Dieringer	42/50
4,825,744	A *	5/1989	Glock	89/145
4,862,619	A *	9/1989	Baldus et al.	42/7
4,893,546	A *	1/1990	Glock	89/145
4,995,179	A *	2/1991	Switzer	42/50

5,052,140	A *	10/1991	Smith	42/7
D344,780	S *	3/1994	Jenkins	D22/108
5,438,783	A *	8/1995	Snieszak et al.	42/7
D362,044	S *	9/1995	Snieszak	D22/108
5,526,600	A *	6/1996	Chesnut et al.	42/50
5,557,872	A *	9/1996	Langner	42/117
5,584,136	A *	12/1996	Boland et al.	42/7
5,642,582	A *	7/1997	Grams	42/50
5,651,204	A *	7/1997	Hulsey et al.	42/50
D401,992	S *	12/1998	Pearce	D22/108
6,557,287	B2 *	5/2003	Wollmann	42/50
D487,791	S *	3/2004	Freed	D22/108
D493,861	S *	8/2004	Rauch et al.	D22/108
7,117,622	B2 *	10/2006	Freed et al.	42/7
D576,701	S *	9/2008	Nichols	D22/108

\* cited by examiner

*Primary Examiner*—T. Chase Nelson

*Assistant Examiner*—Michael A Pratt

(74) *Attorney, Agent, or Firm*—Geoffrey E. Dobbin

(57) **CLAIM**

The ornamental design for floor plate for an ammunition magazine, as shown and described.

**DESCRIPTION**

FIG. 1 is a bottom/front perspective view of the floor plate.

FIG. 2 is a bottom plan view of the floor plate.

FIG. 3 is a bottom/rear perspective view of the floor plate.

FIG. 4 is a front elevation view of the floor plate for an ammunition magazine.

FIG. 5 is a left plan view of the floor plate.

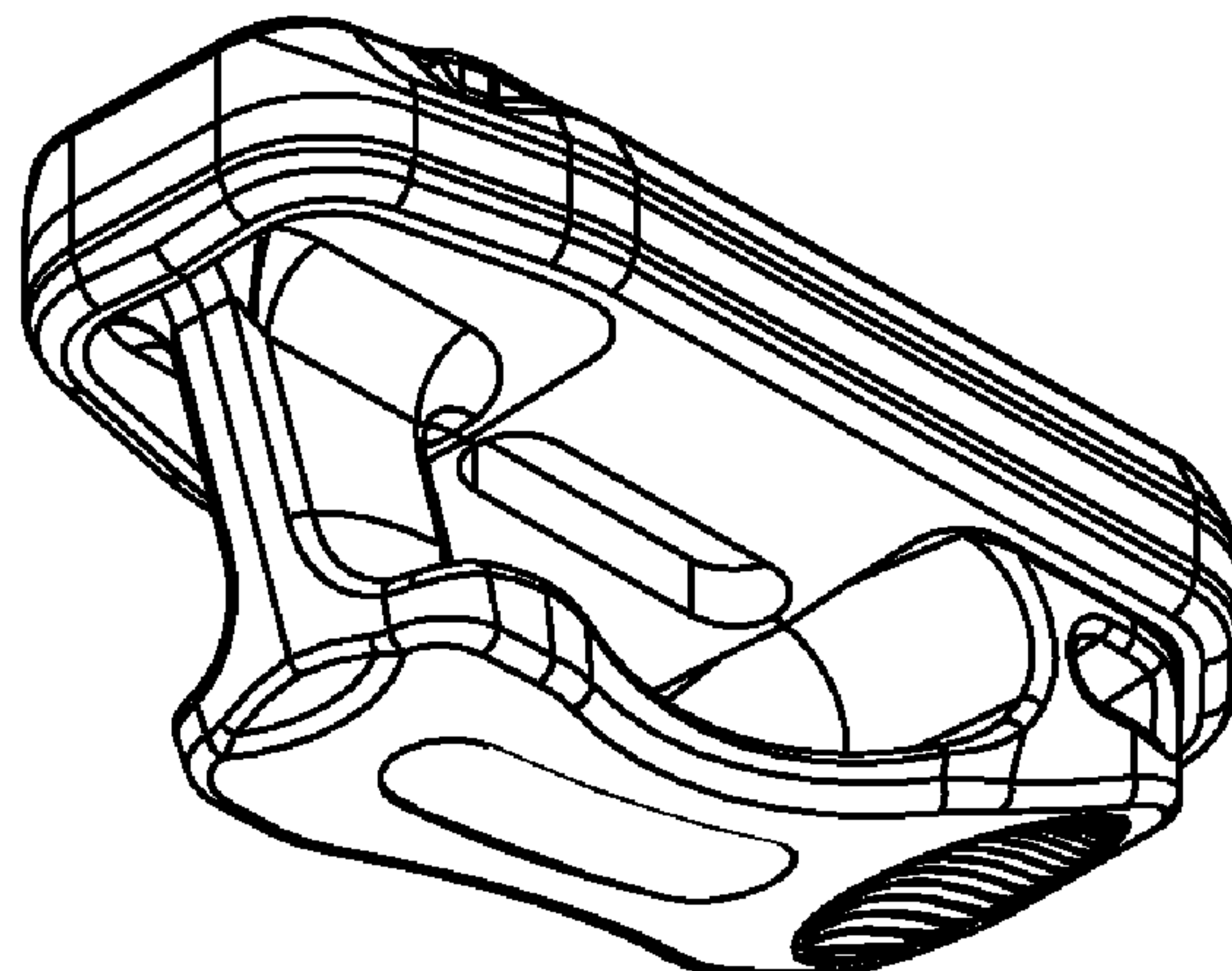
FIG. 6 is a rear elevation view of the floor plate for an ammunition magazine.

FIG. 7 is a top/rear perspective view of the floor plate.

FIG. 8 is a top plan view of the floor plate; and,

FIG. 9 is a top/front perspective view of the floor plate.

**1 Claim, 3 Drawing Sheets**



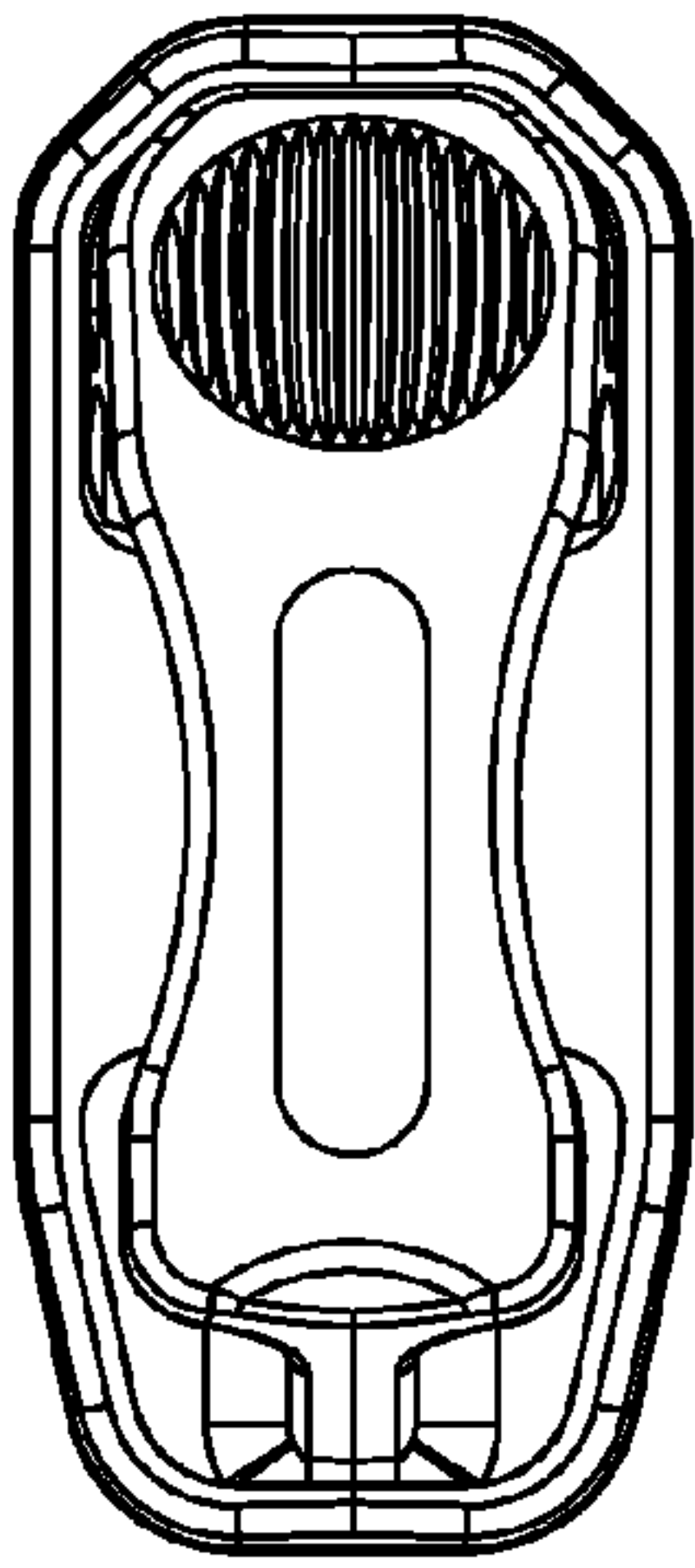


FIG. 2

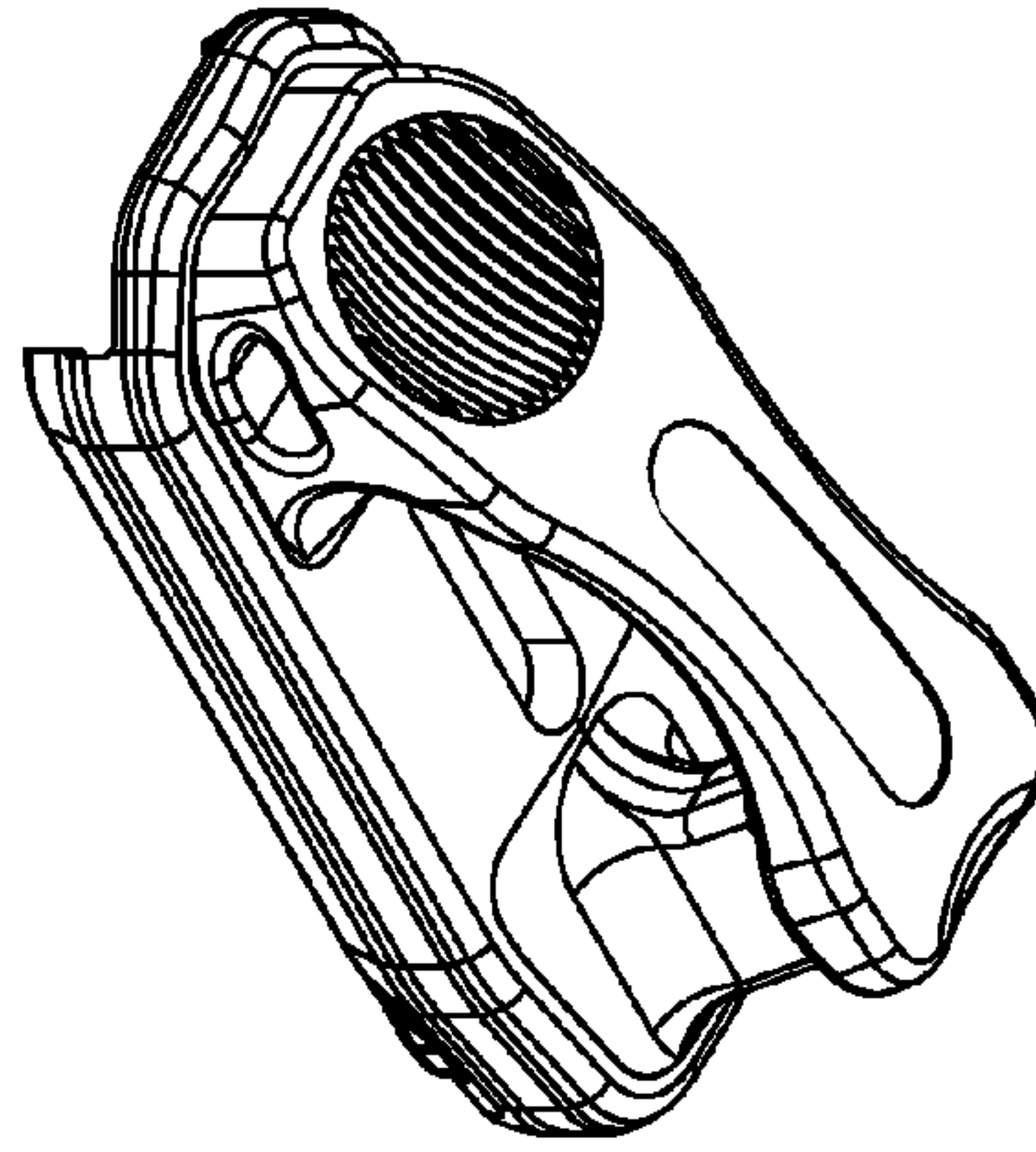


FIG. 3

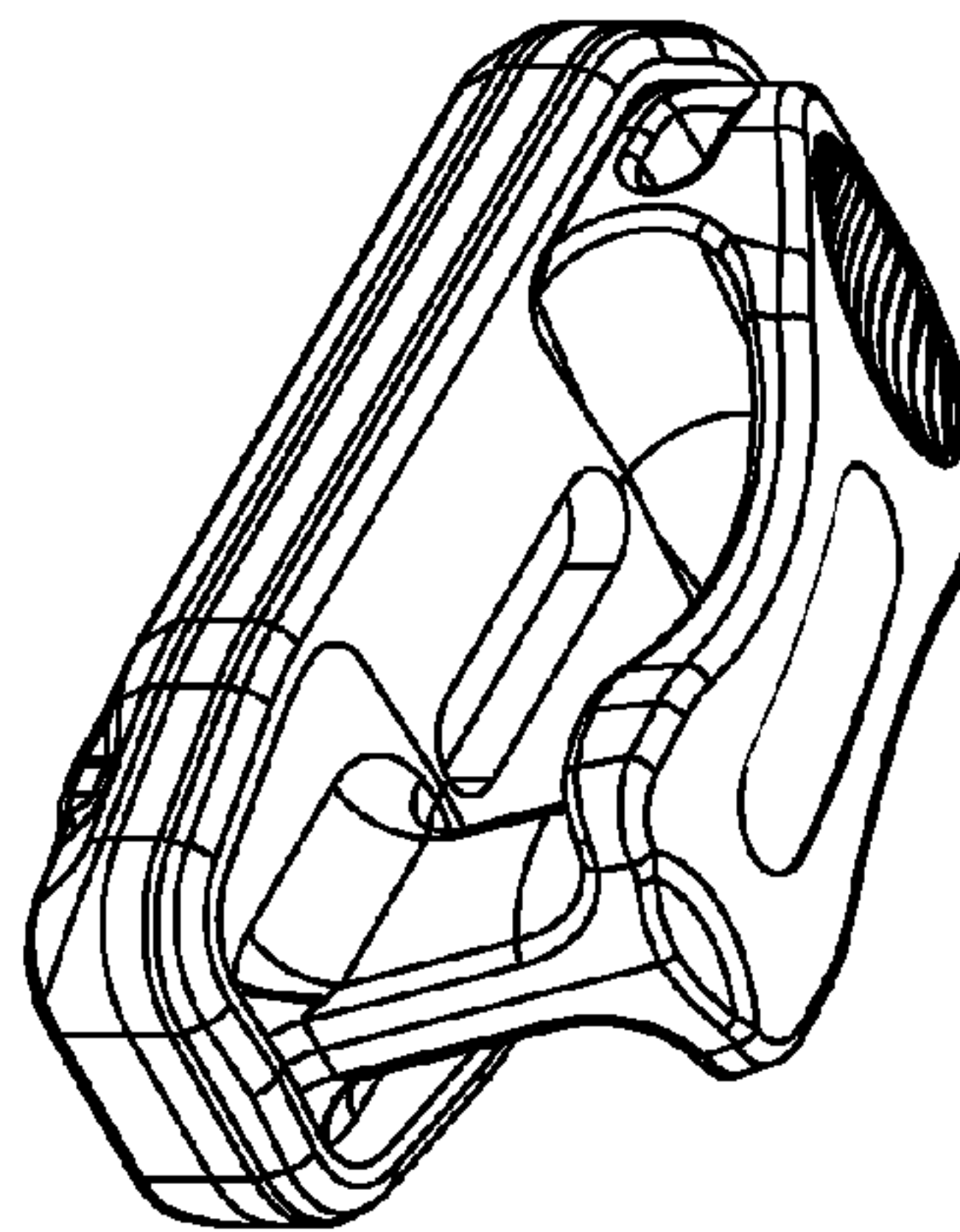


FIG. 1

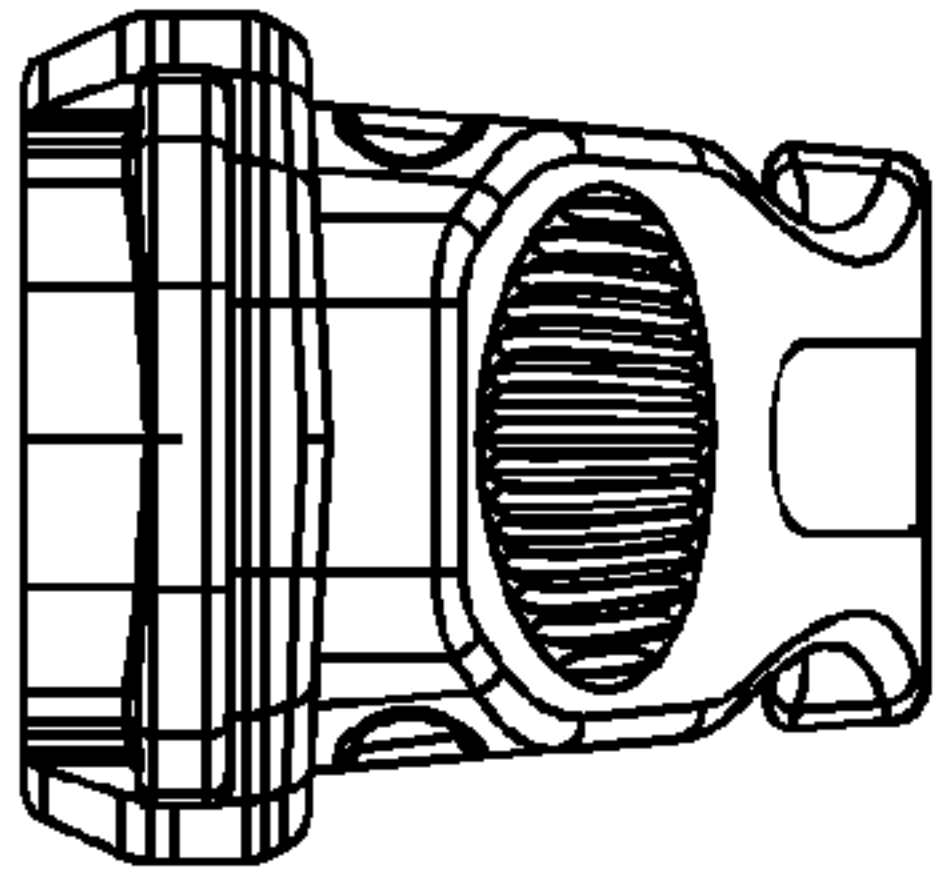


FIG. 6

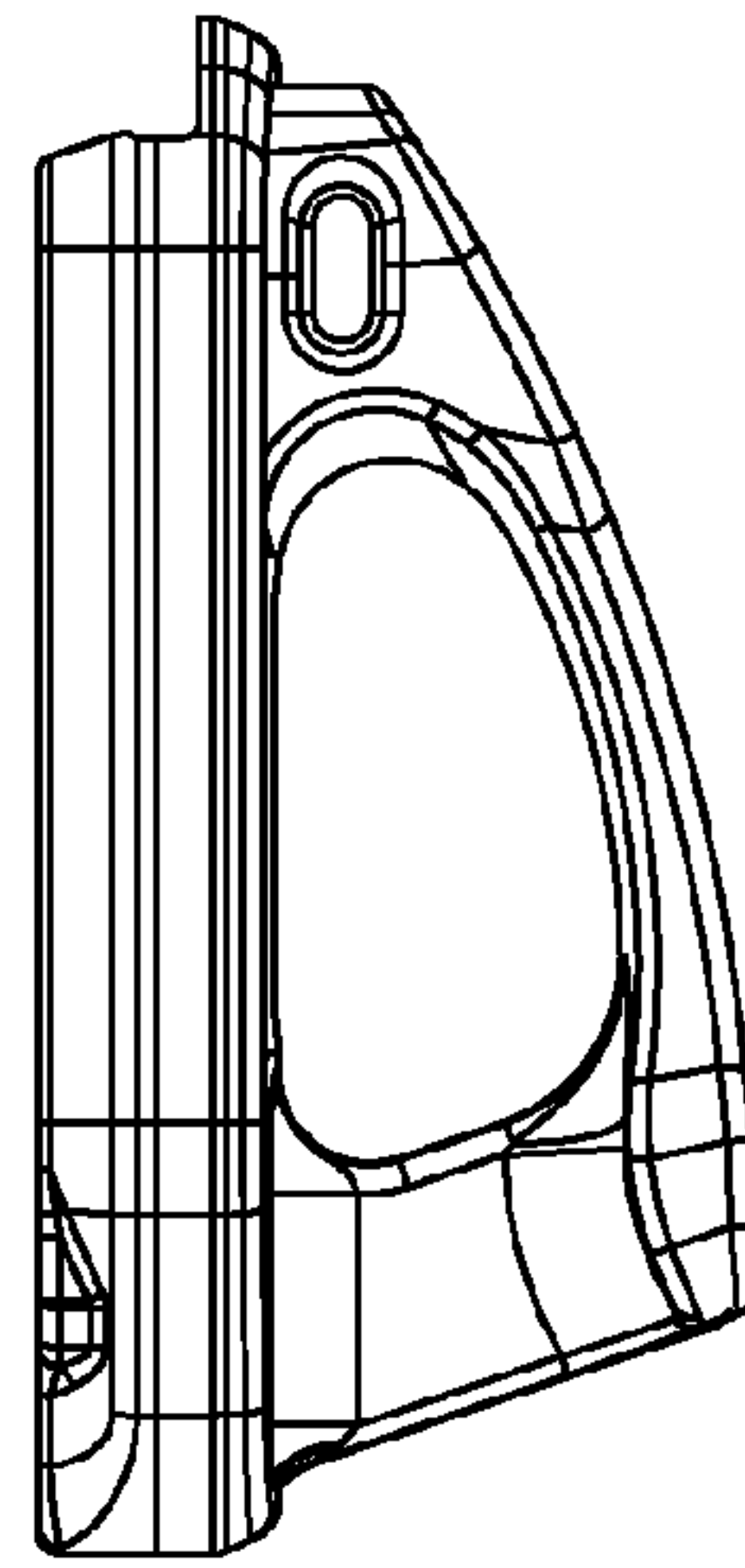


FIG. 5

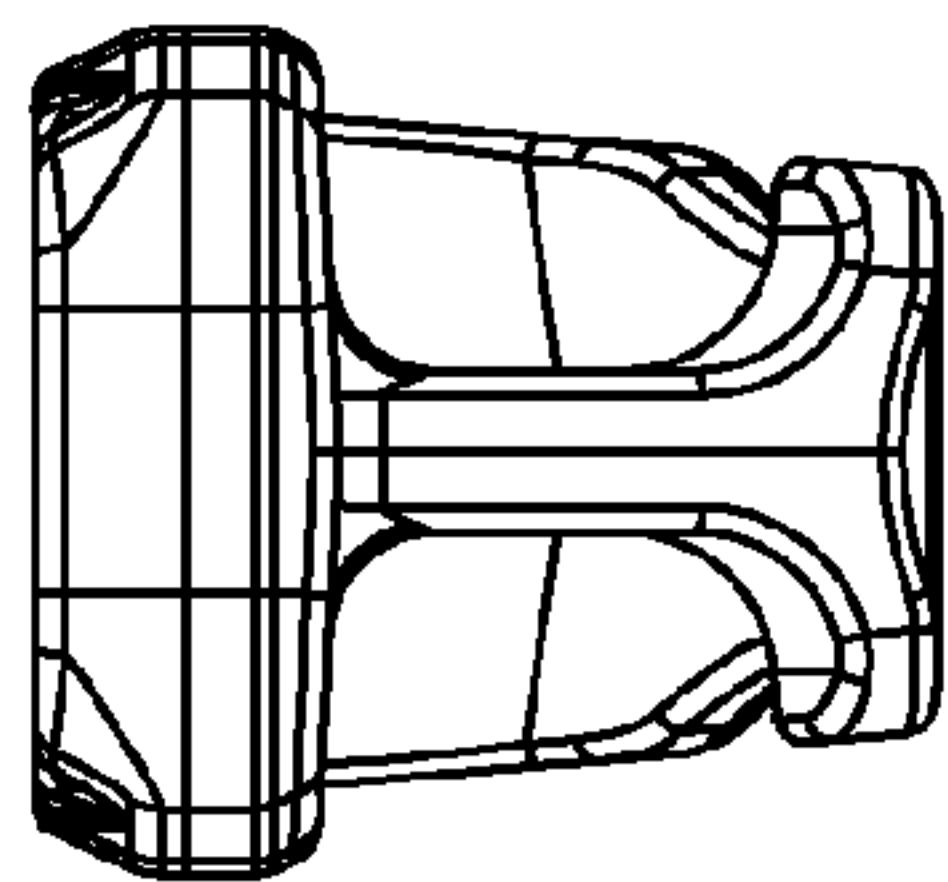


FIG. 4

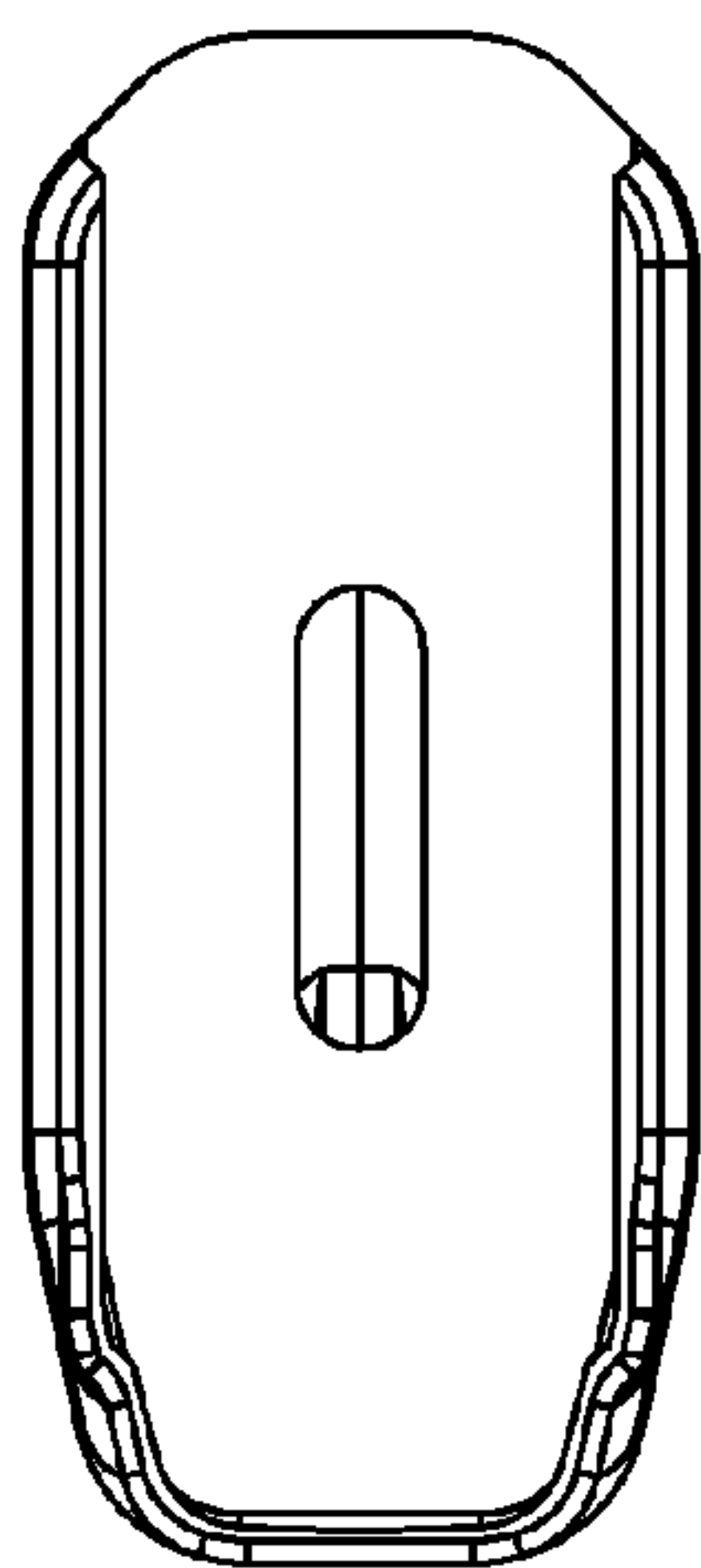


FIG. 8

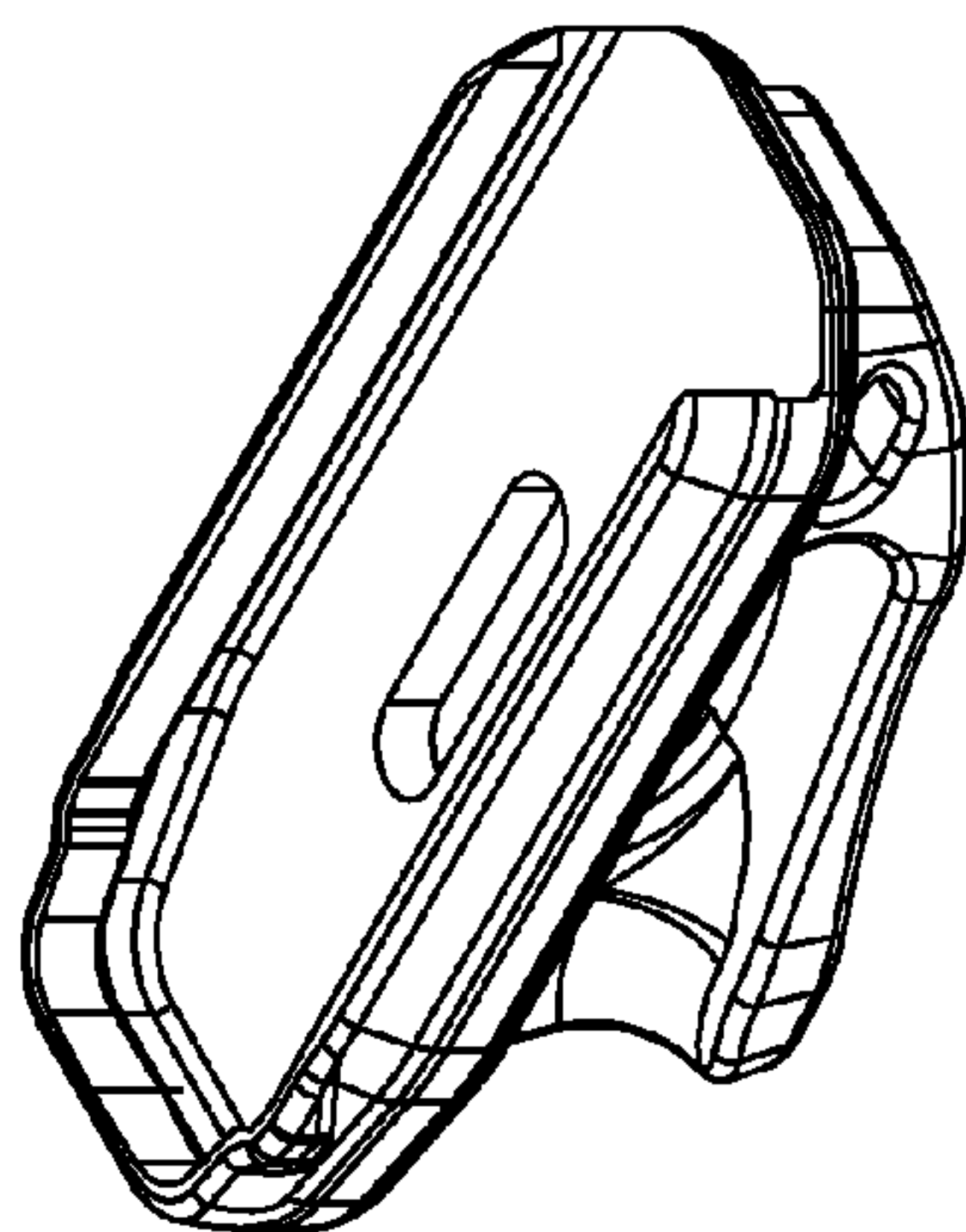


FIG. 9

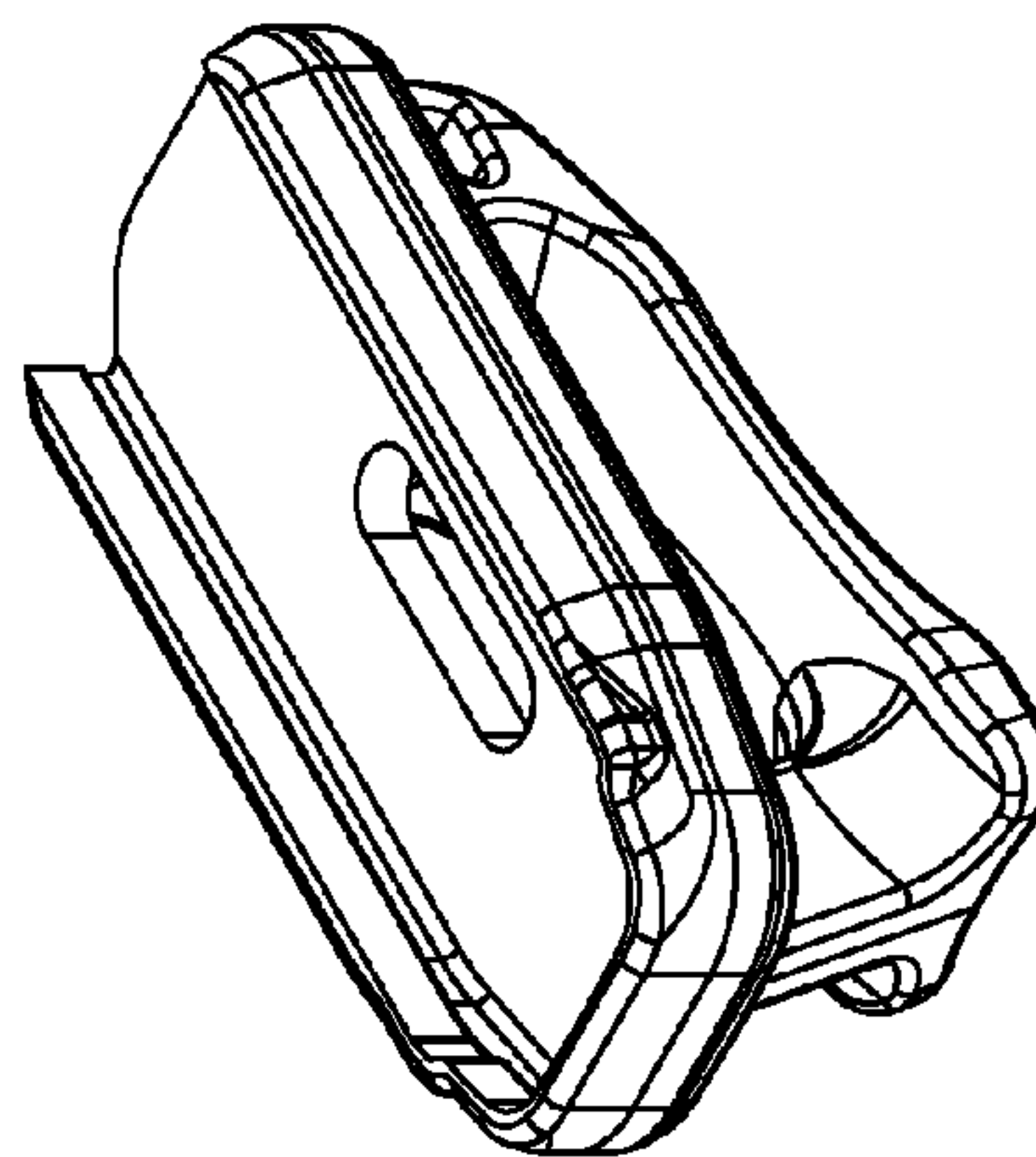


FIG. 7