



US00D593633S

(12) **United States Design Patent**
Fitzpatrick et al.

(10) **Patent No.:** **US D593,633 S**
(45) **Date of Patent:** **** Jun. 2, 2009**

(54) **AMMUNITION MAGAZINE FOR A FIREARM**

(57) **CLAIM**

(75) Inventors: **Richard M. Fitzpatrick**, Denver, CO (US); **Michael T. Mayberry**, Denver, CO (US)

The ornamental design for an ammunition magazine for a firearm, as shown and described.

(73) Assignee: **Magpul Industries Corp.**, Erie, CO (US)

DESCRIPTION

(**) Term: **14 Years**

FIG. 1 is a left plan view of the ammunition magazine for a firearm.

(21) Appl. No.: **29/303,182**

FIG. 2 is a right plan view of the ammunition magazine for a firearm.

(22) Filed: **Feb. 1, 2008**

FIG. 3 is a left/top/rear perspective view of the ammunition magazine for a firearm.

(51) **LOC (9) Cl.** **22-01**

FIG. 4 is a rear plan view of the ammunition magazine for a firearm.

(52) **U.S. Cl.** **D22/108**

FIG. 5 is a front plan view of the ammunition magazine for a firearm.

(58) **Field of Classification Search** D22/100-116;
D21/572, 573; 124/66, 67, 74; 42/51, 71.01,
42/75.01, 75.02, 90, 94; 362/110; 33/241;
89/40.06, 37.04, 33.04, 191.01
See application file for complete search history.

FIG. 6 is a top plan view of the ammunition magazine for a firearm.

FIG. 7 is a bottom plan view of the ammunition magazine for a firearm.

(56) **References Cited**

FIG. 8 is a right/top/front perspective view of the ammunition magazine for a firearm.

U.S. PATENT DOCUMENTS

FIG. 9 is a right/bottom/front perspective view of the ammunition magazine for a firearm.

D242,346 S * 11/1976 Sofinowski D22/108
4,139,959 A * 2/1979 Howard et al. 42/50
5,149,897 A * 9/1992 Howard 42/50
5,345,660 A * 9/1994 Howard 42/49.1

FIG. 10 is a left/top/front perspective view of the ammunition magazine for a firearm.

FOREIGN PATENT DOCUMENTS

FIG. 11 is a left/bottom/front perspective view of the ammunition magazine for a firearm.

EP 137068 A1 * 4/1985

FIG. 12 is a left/bottom/rear perspective view of the ammunition magazine for a firearm.

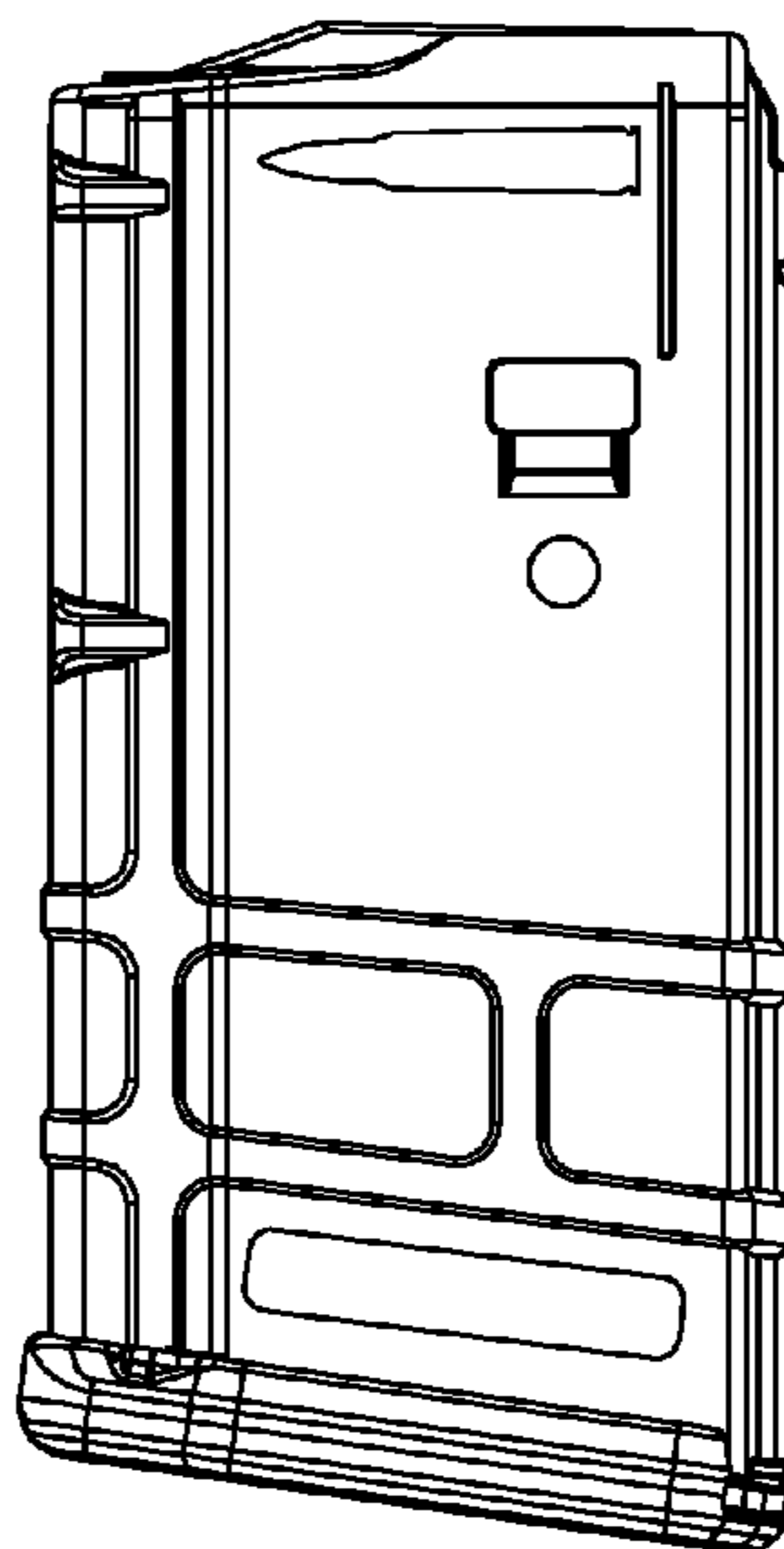
* cited by examiner

FIG. 13 is a right/top/rear perspective view of the ammunition magazine for a firearm; and,

Primary Examiner—T. Chase Nelson
Assistant Examiner—Michael A Pratt
(74) *Attorney, Agent, or Firm*—Geoffrey E. Dobbin

FIG. 14 is a right/bottom/rear perspective view of the ammunition magazine for a firearm.

1 Claim, 4 Drawing Sheets



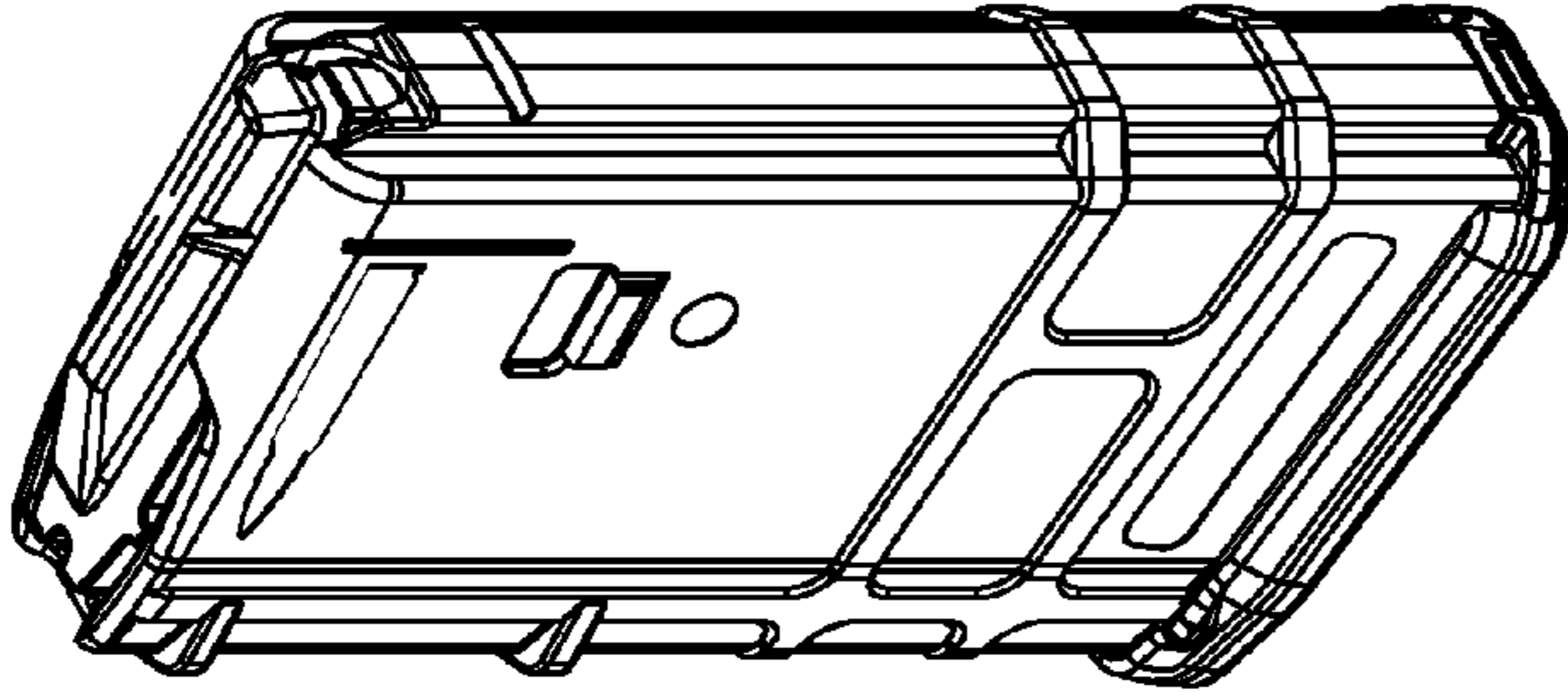


FIG. 3

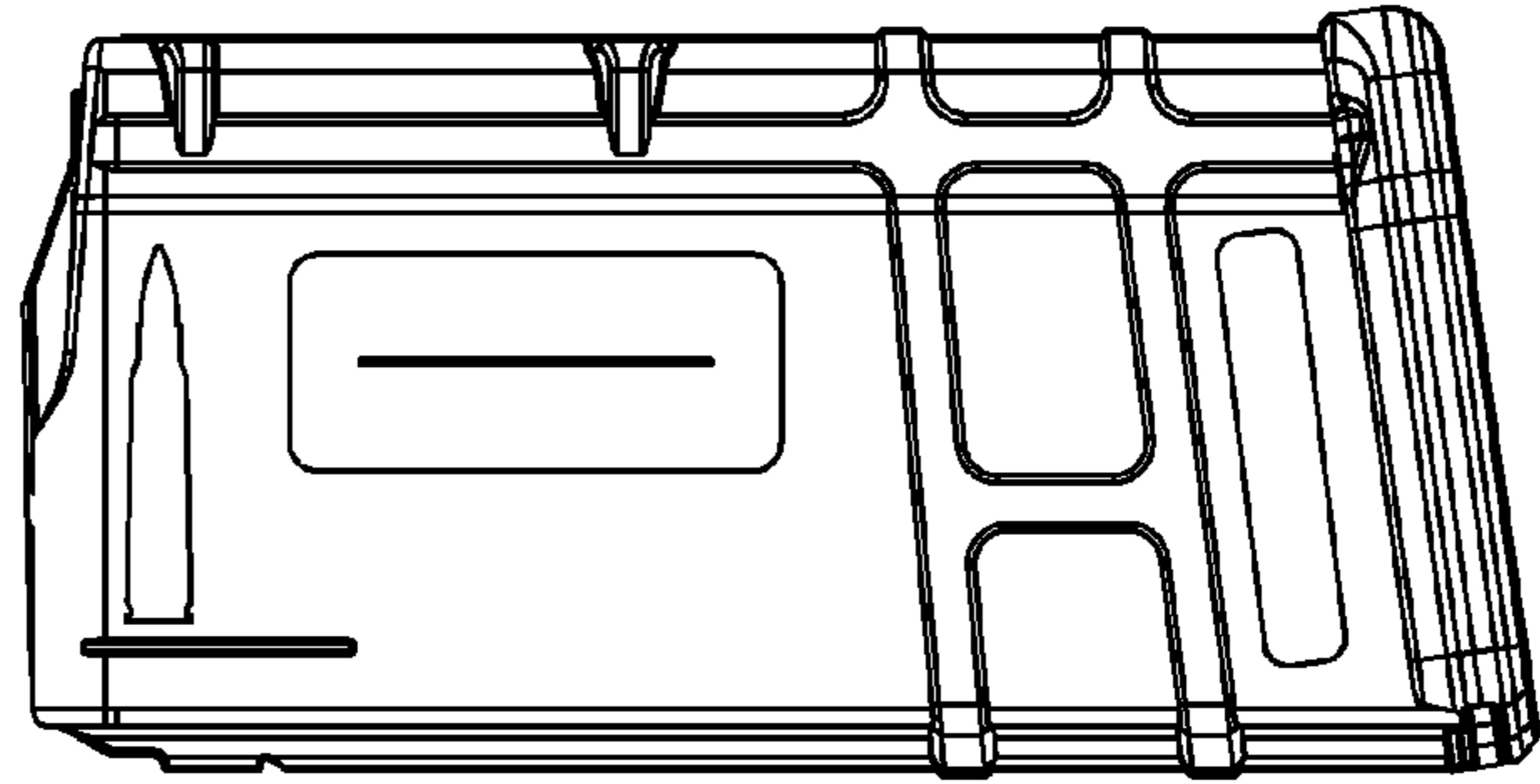


FIG. 2

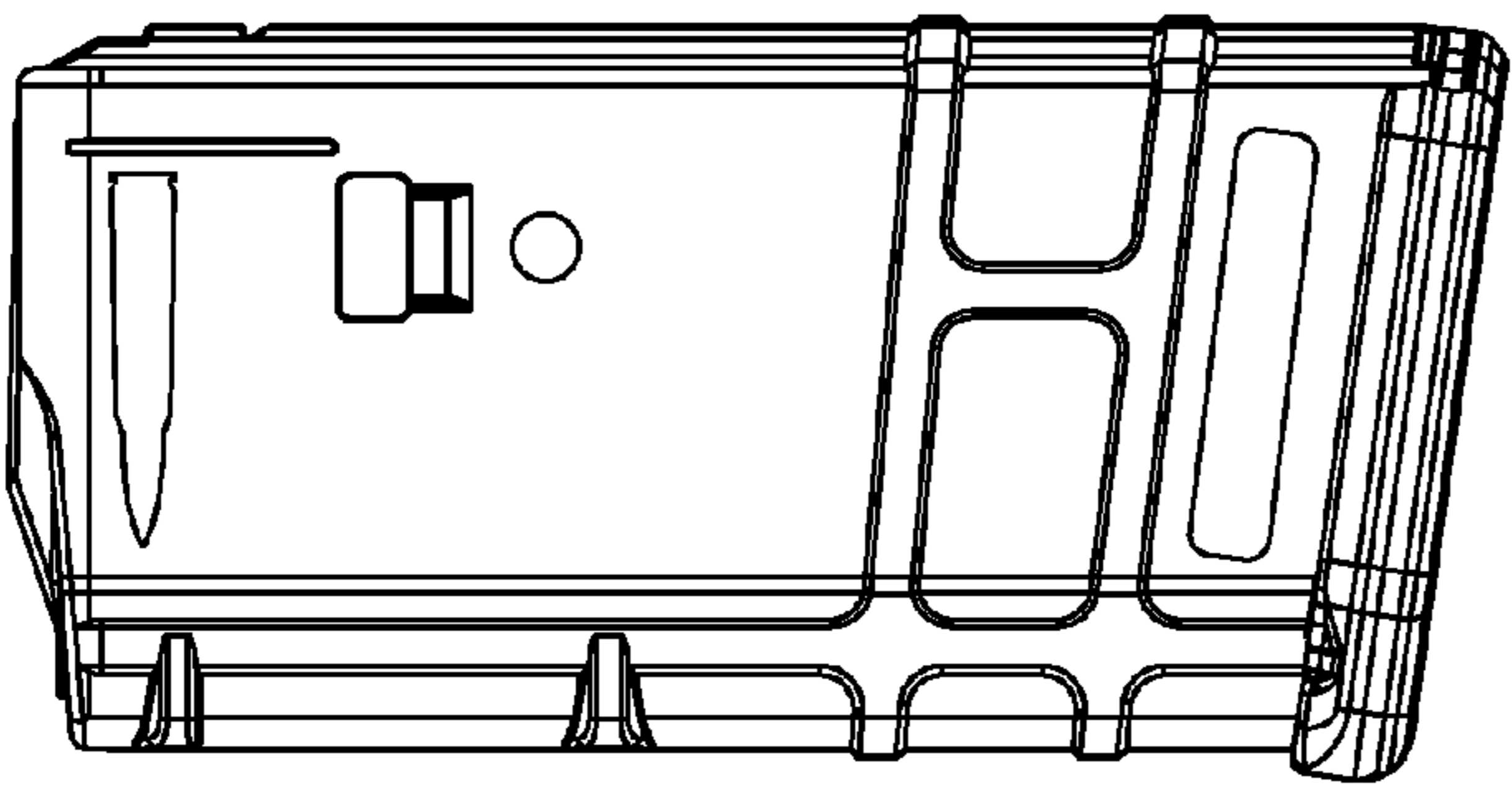


FIG. 1

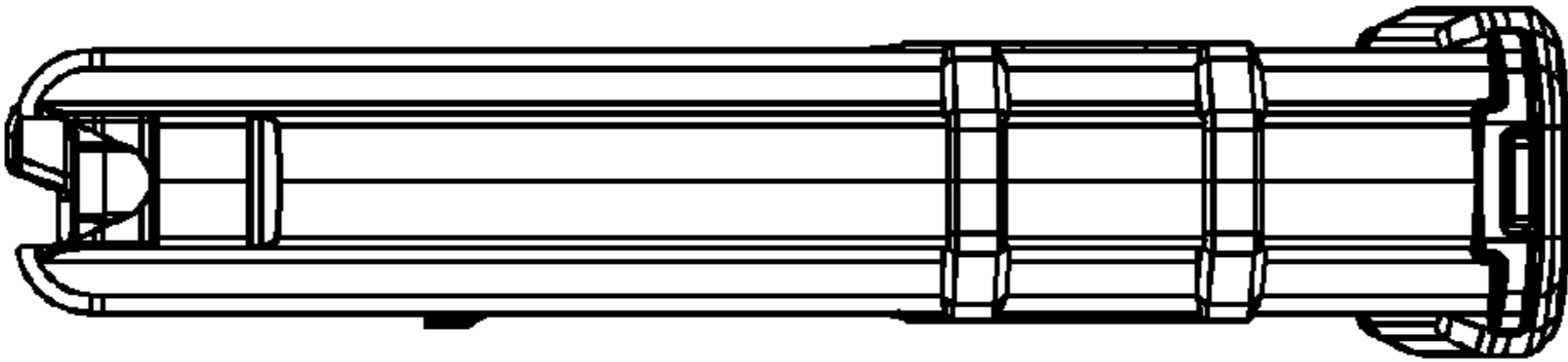


FIG. 4

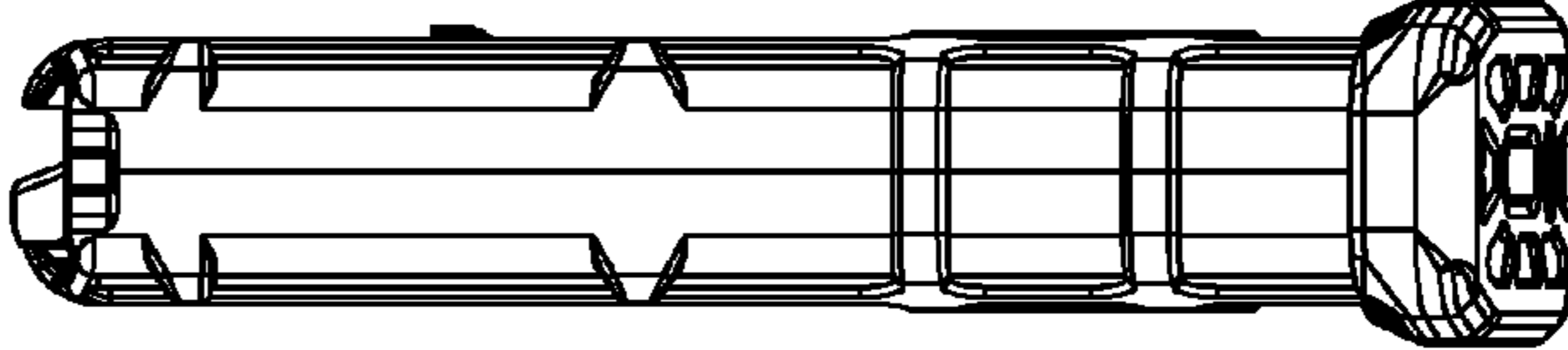


FIG. 5

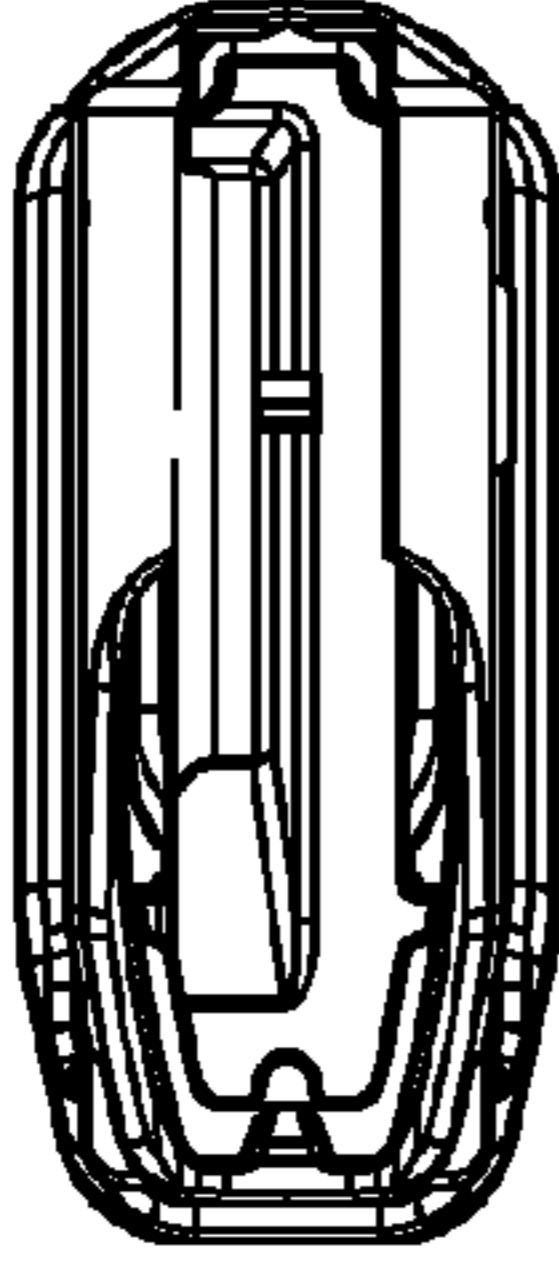


FIG. 6

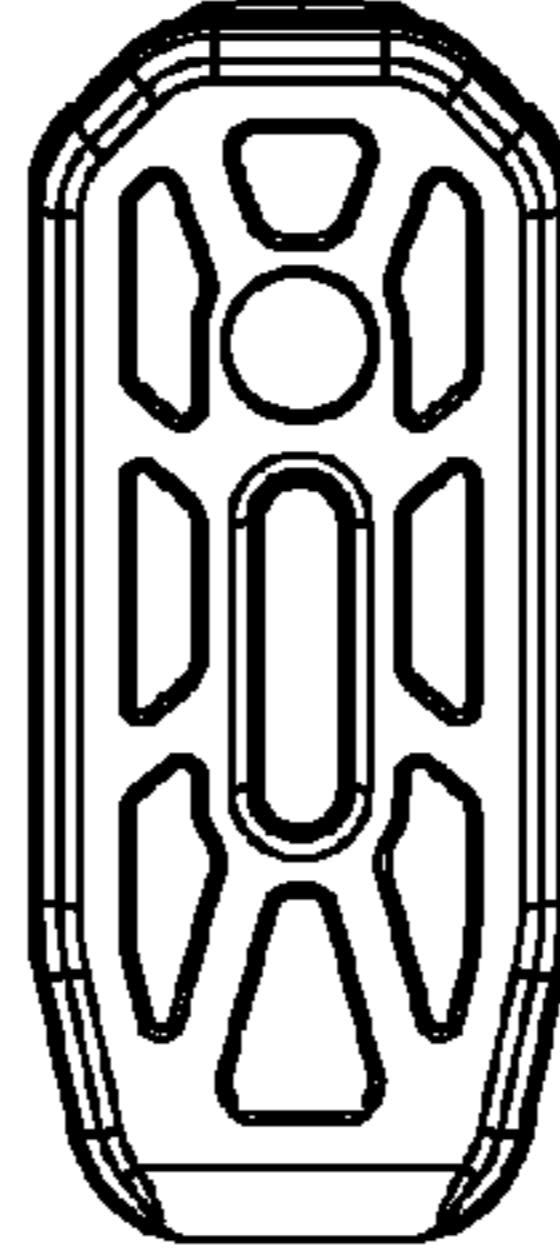


FIG. 7

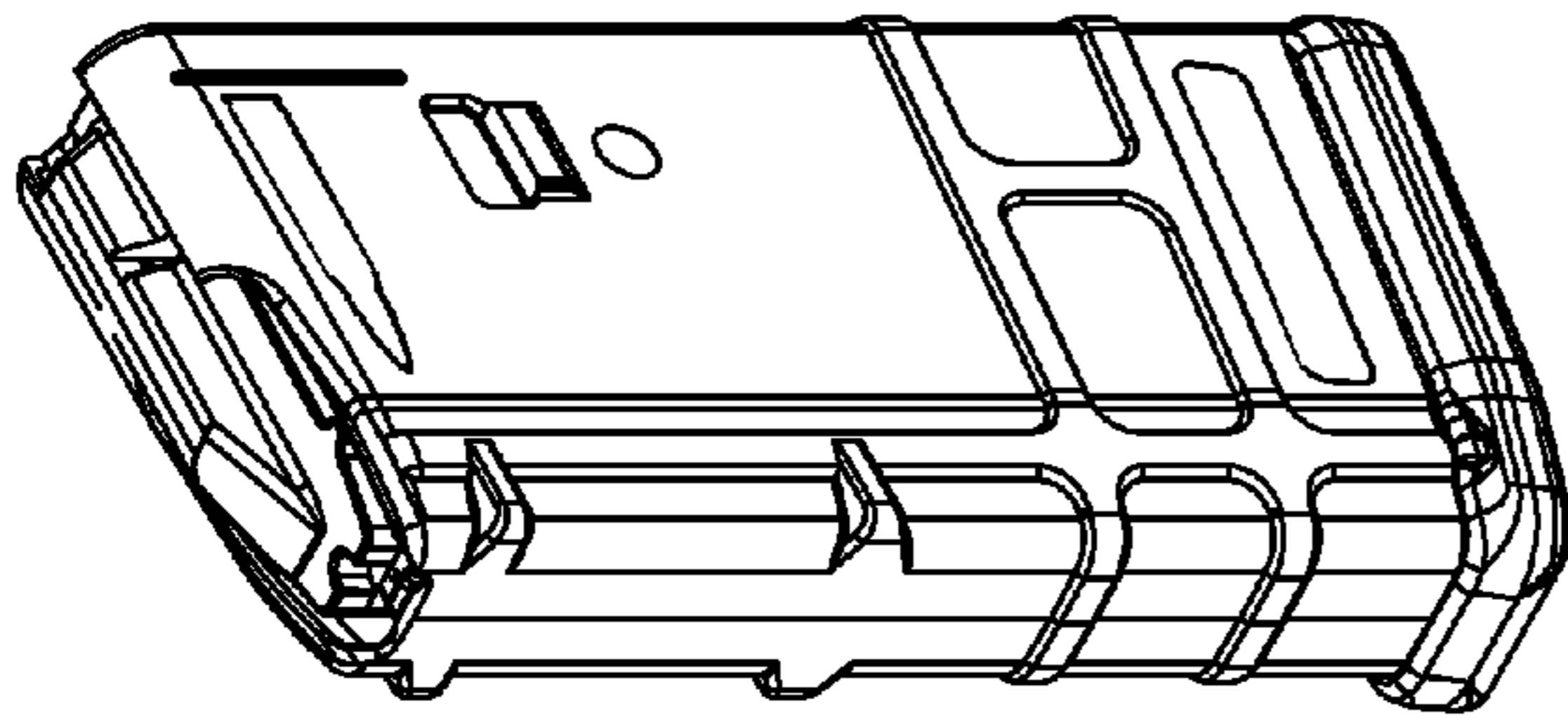


FIG. 9

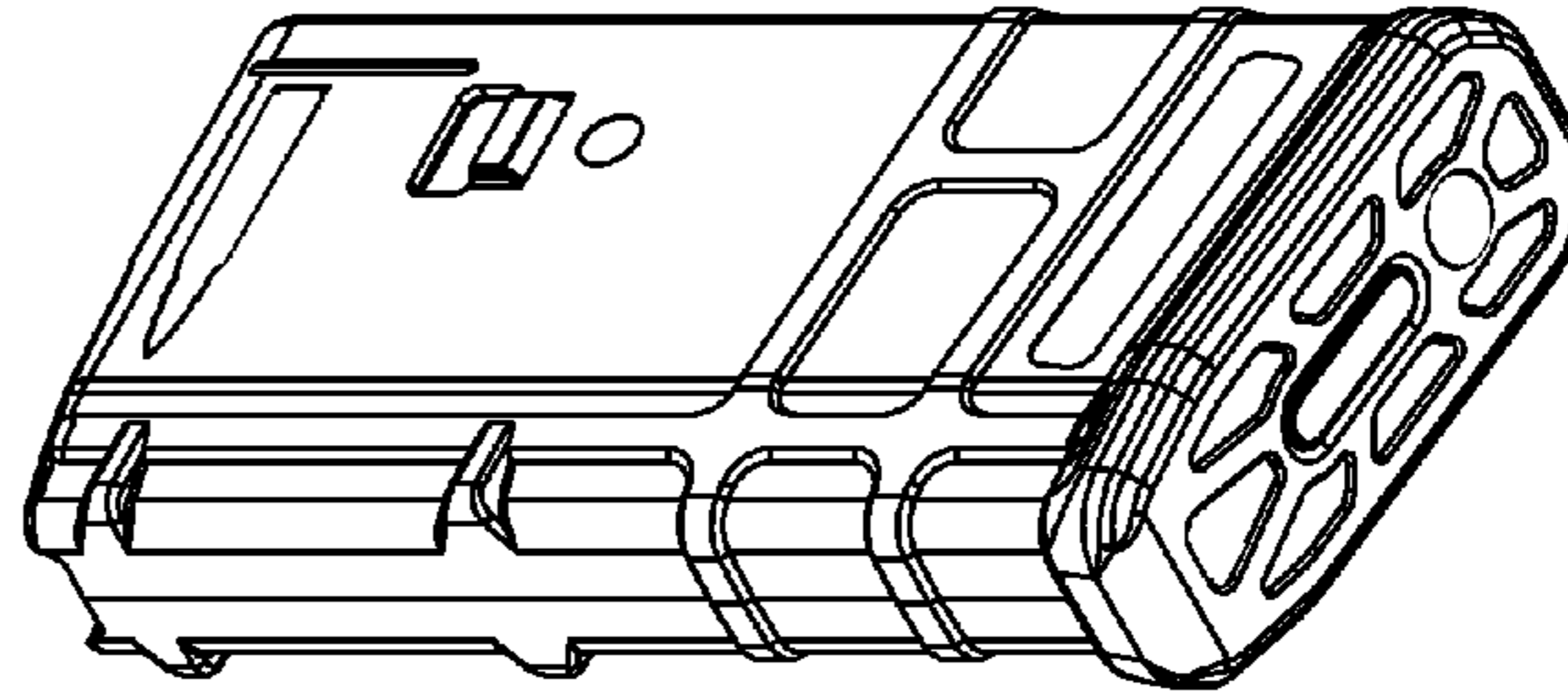


FIG. 11

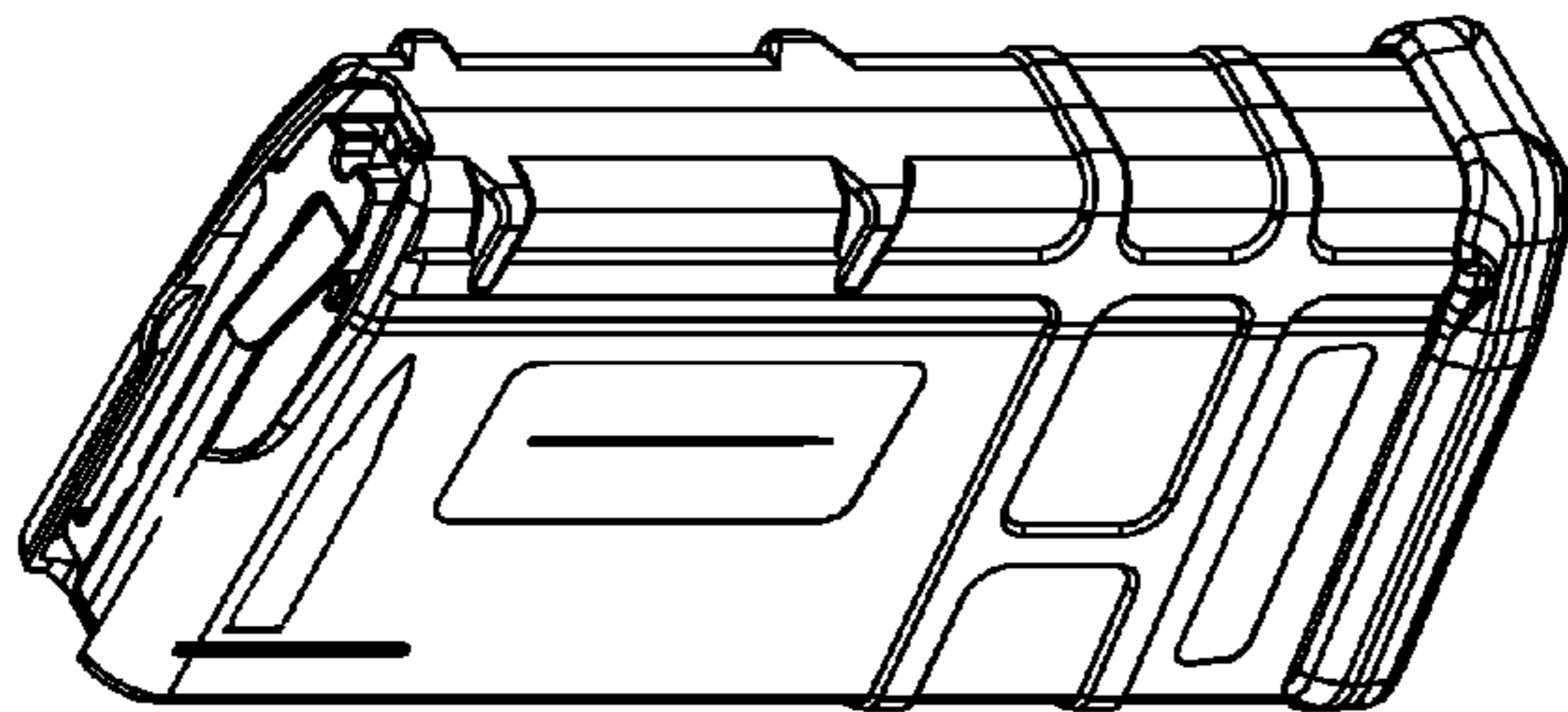


FIG. 8

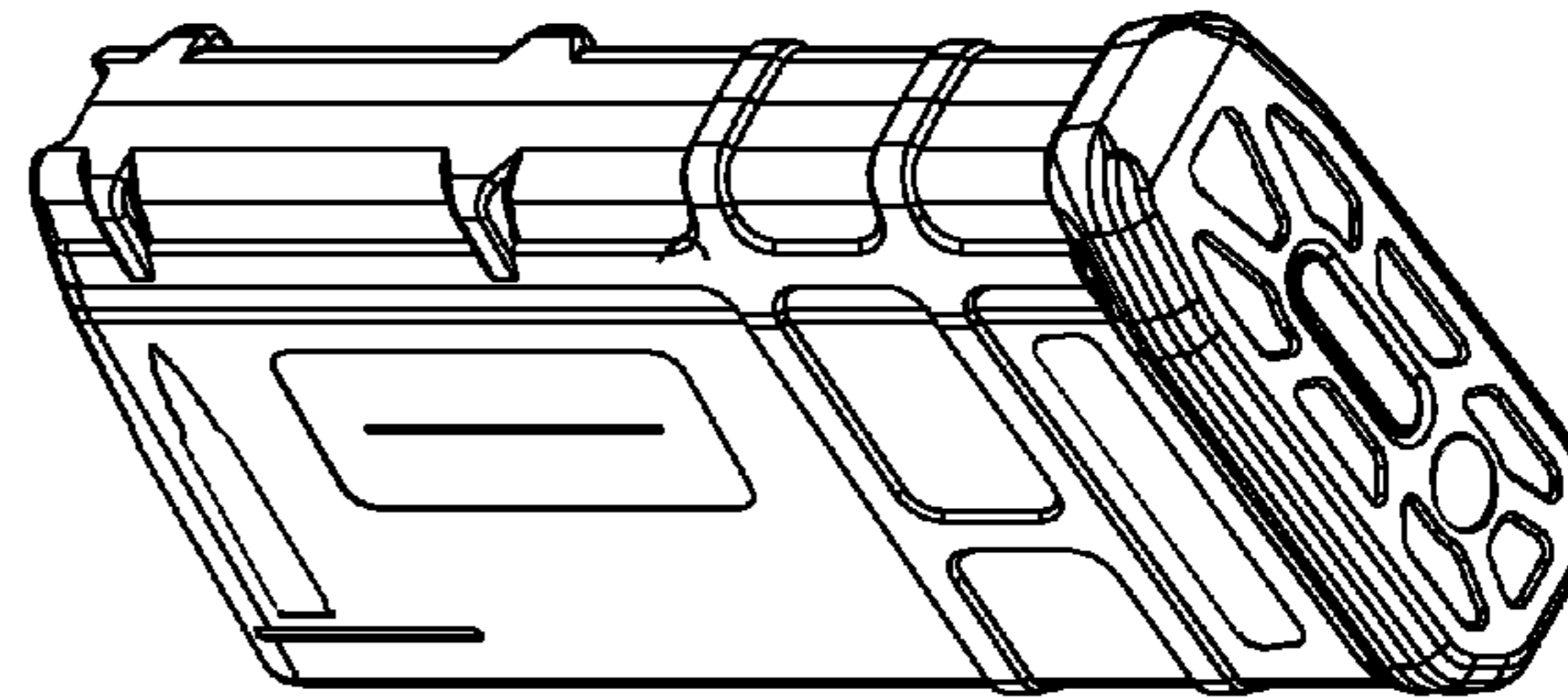


FIG. 10

FIG. 14

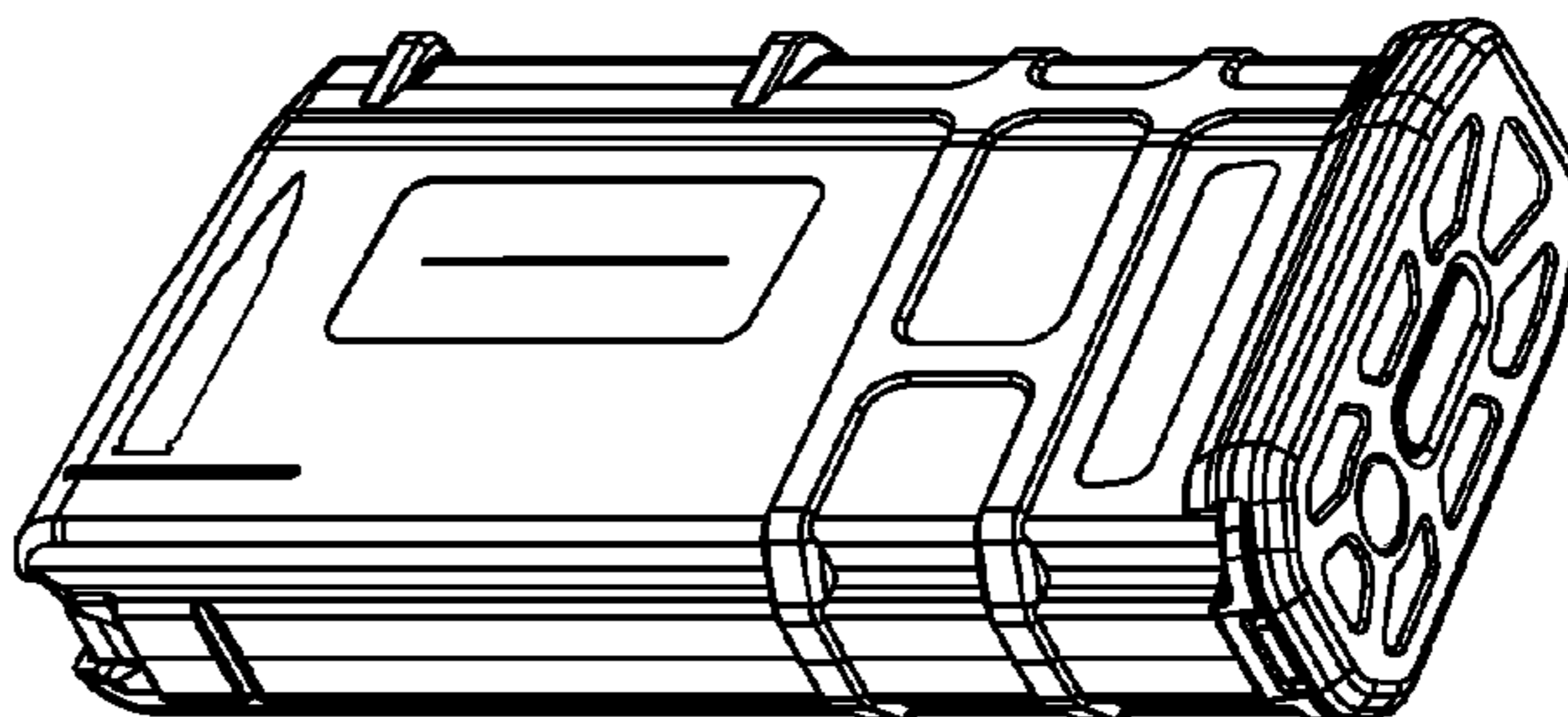


FIG. 13

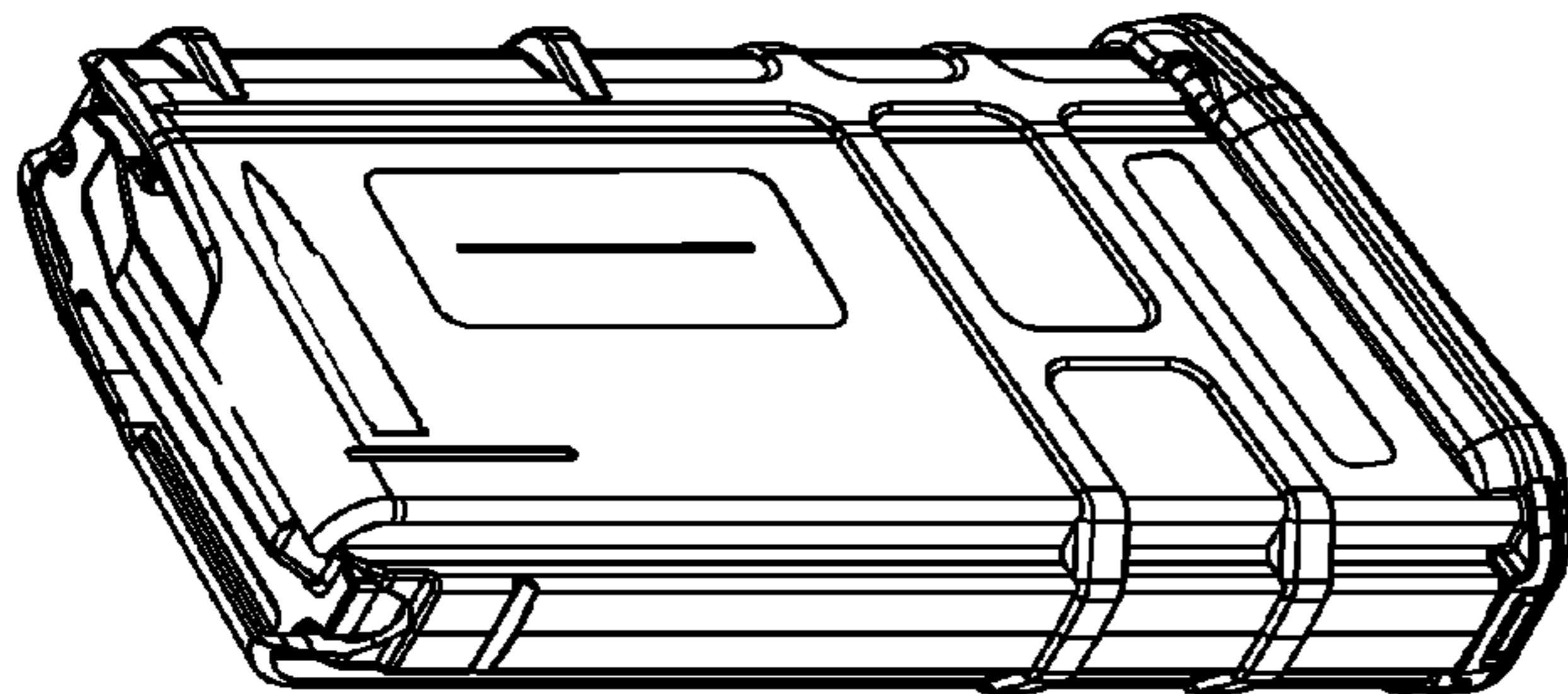


FIG. 12

