



US00D593632S

(12) **United States Design Patent**
Oh

(10) **Patent No.:** **US D593,632 S**

(45) **Date of Patent:** **** Jun. 2, 2009**

(54) **EMPTY CARTRIDGE RECEIVER FOR A RIFLE**

(75) Inventor: **Se-Hong Oh**, Seoul (KR)

(73) Assignee: **Korea CNO Tech Co., Ltd.** (KR)

(**) Term: **14 Years**

(21) Appl. No.: **29/293,205**

(22) Filed: **Nov. 9, 2007**

(51) **LOC (9) Cl.** **22-01**

(52) **U.S. Cl.** **D22/108**

(58) **Field of Classification Search** D22/100-116;
D21/572, 573; 124/66, 67, 74; 42/51, 71.01,
42/75.01, 75.02, 90, 94; 362/110; 33/241;
89/40.06, 37.04, 33.04, 191.01

See application file for complete search history.

(56) **References Cited**

U.S. PATENT DOCUMENTS

3,977,114	A *	8/1976	Poor	42/50
4,334,375	A *	6/1982	Olson	42/98
D274,170	S *	6/1984	Retzlaff et al.	D22/108
5,398,439	A *	3/1995	Harless	42/98
D382,624	S *	8/1997	Benson	D22/108
7,380,364	B1 *	6/2008	Hanson	42/98

* cited by examiner

Primary Examiner—T. Chase Nelson
Assistant Examiner—Michael A Pratt
(74) *Attorney, Agent, or Firm*—Daniel P. Burke & Associates, PLLC

(57) **CLAIM**

The ornamental design for an empty cartridge receiver for a rifle, as shown and described.

DESCRIPTION

FIG. 1 is a perspective view of an empty cartridge receiver for a rifle showing my new design;

FIG. 2 is a front elevational view thereof;

FIG. 3 is a rear elevational view thereof;

FIG. 4 is left side elevational view thereof;

FIG. 5 is a right side elevational view thereof;

FIG. 6 is a top plan view thereof;

FIG. 7 is a bottom plan view thereof; and,

FIG. 8 is a perspective view thereof; shown in use.

The broken lines consisting of a small rectangle in FIGS. 1 and 2 and applied to various surfaces of the article are understood to represent stitching and form a part of the claimed design. The broken lines showing of an M4A1 rifle is included for the purpose of illustrating environment and forms no part of the claimed design.

1 Claim, 4 Drawing Sheets

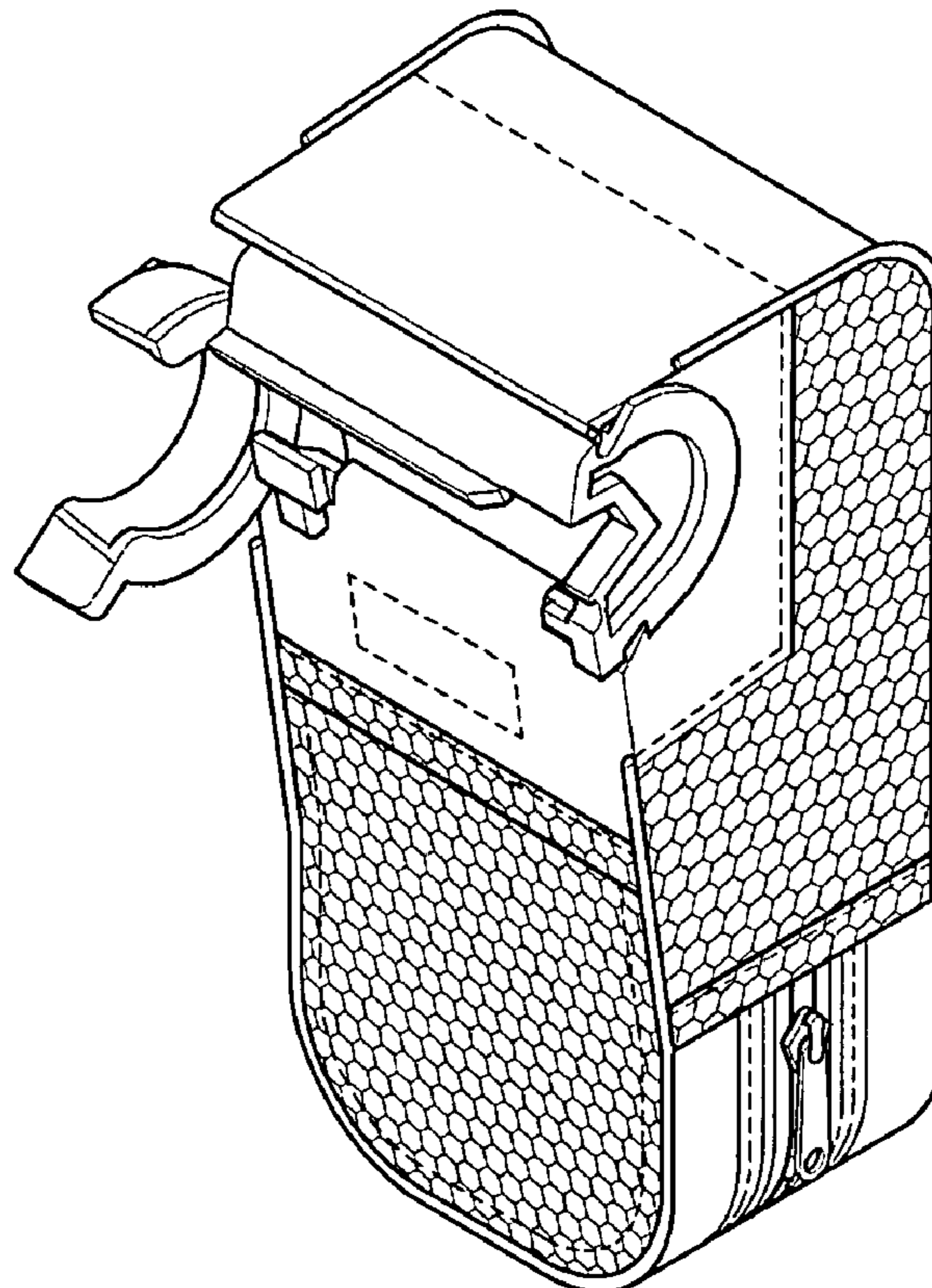


Fig. 1

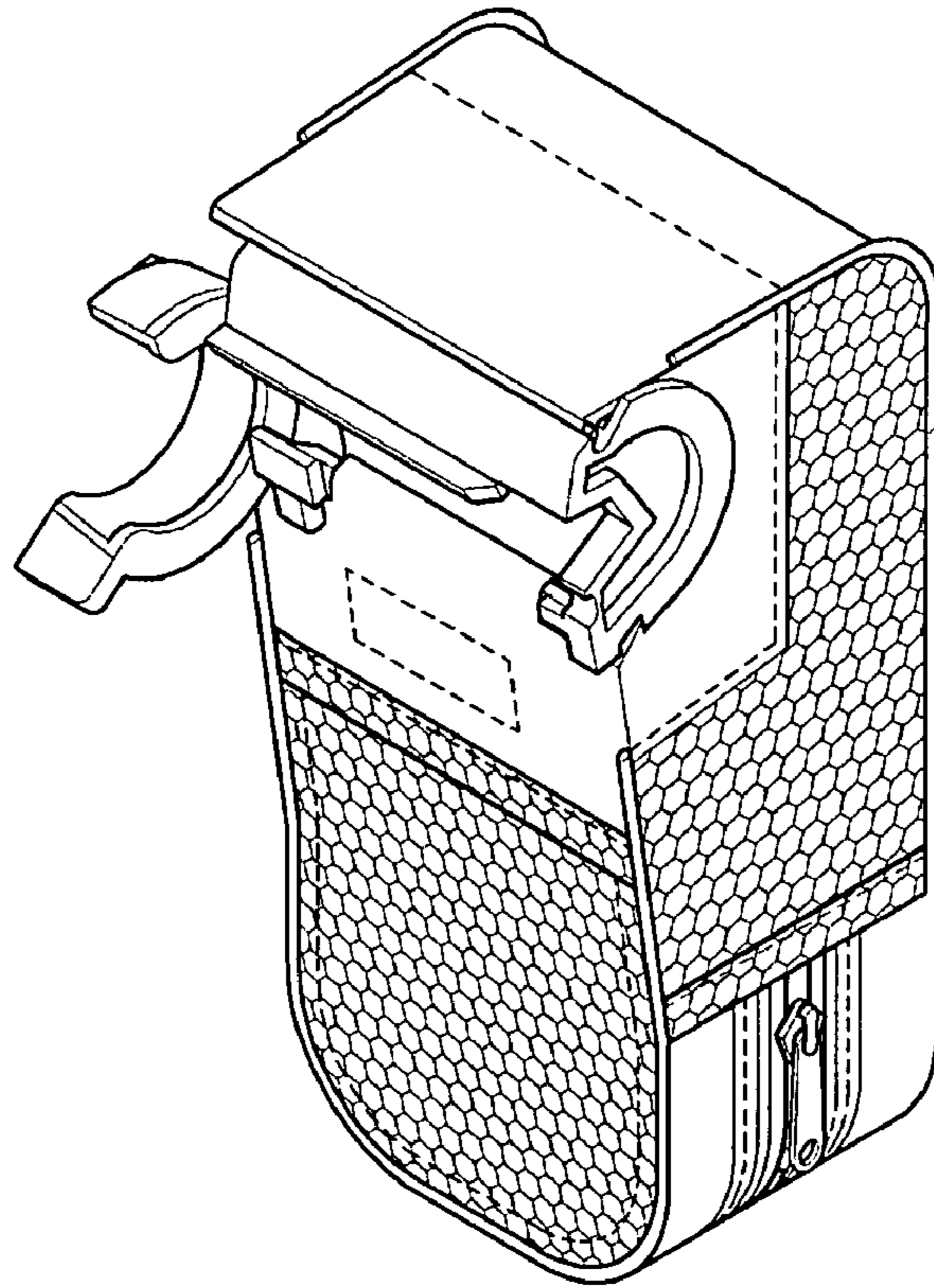


Fig. 2

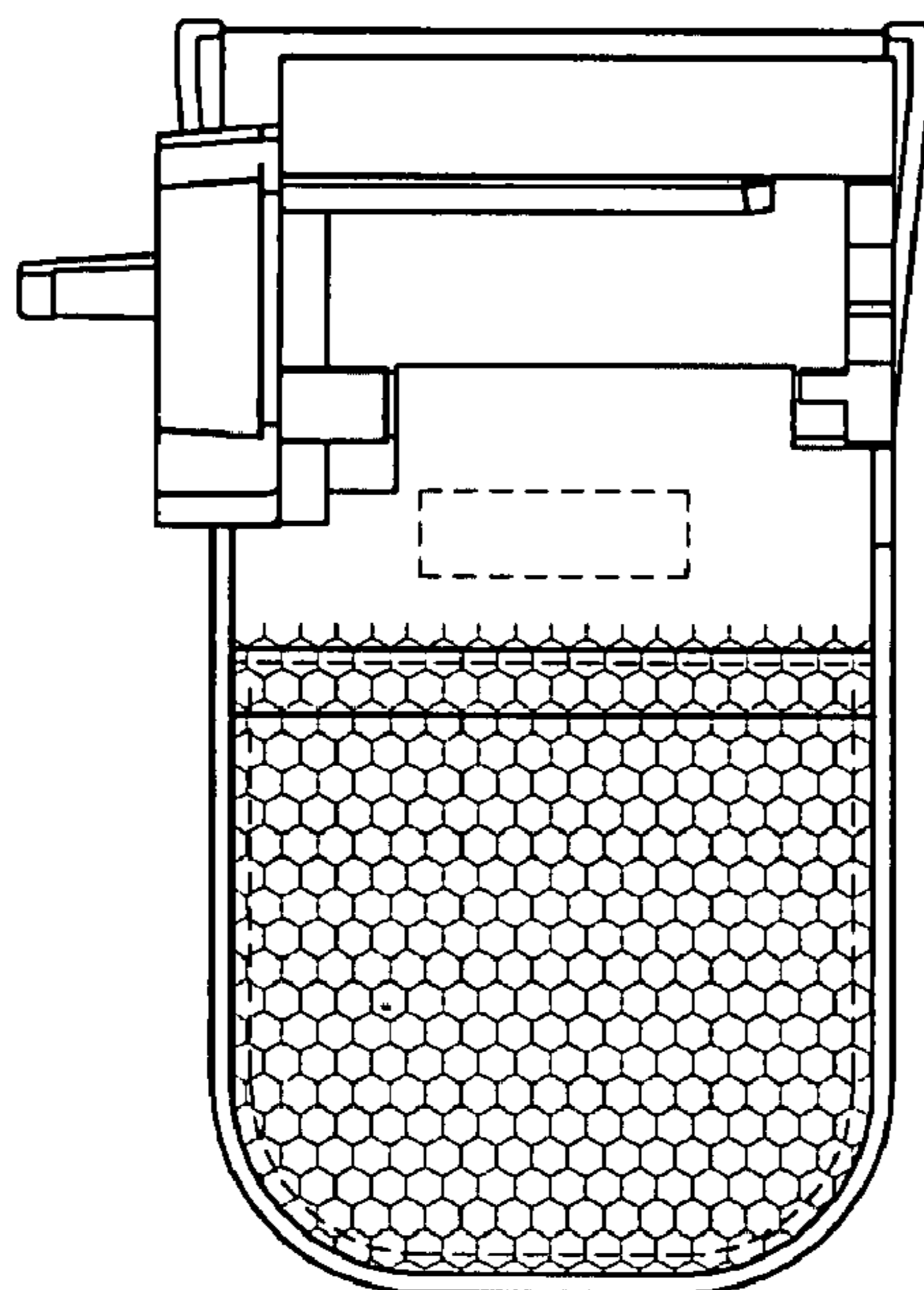


Fig. 3

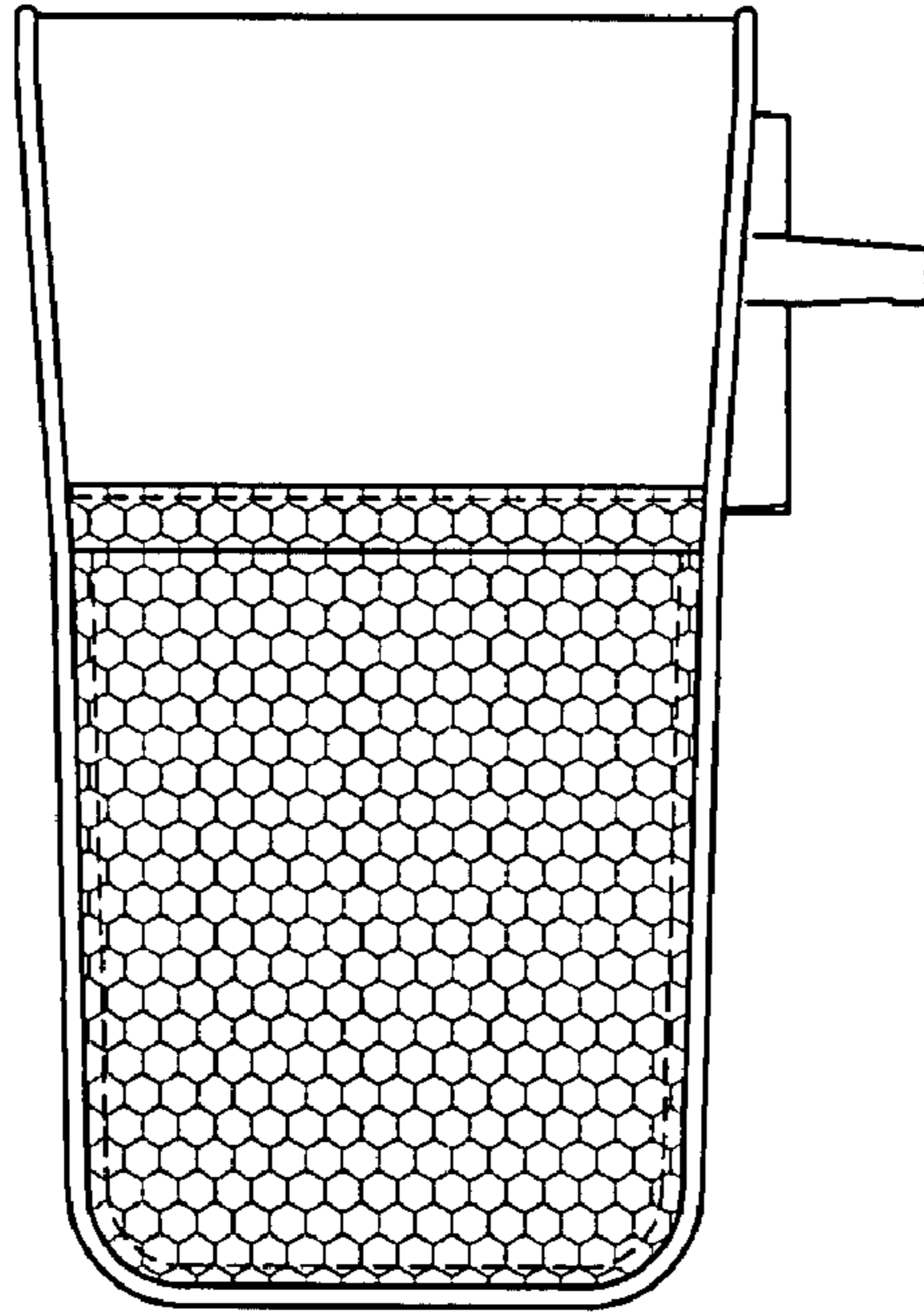


Fig. 4

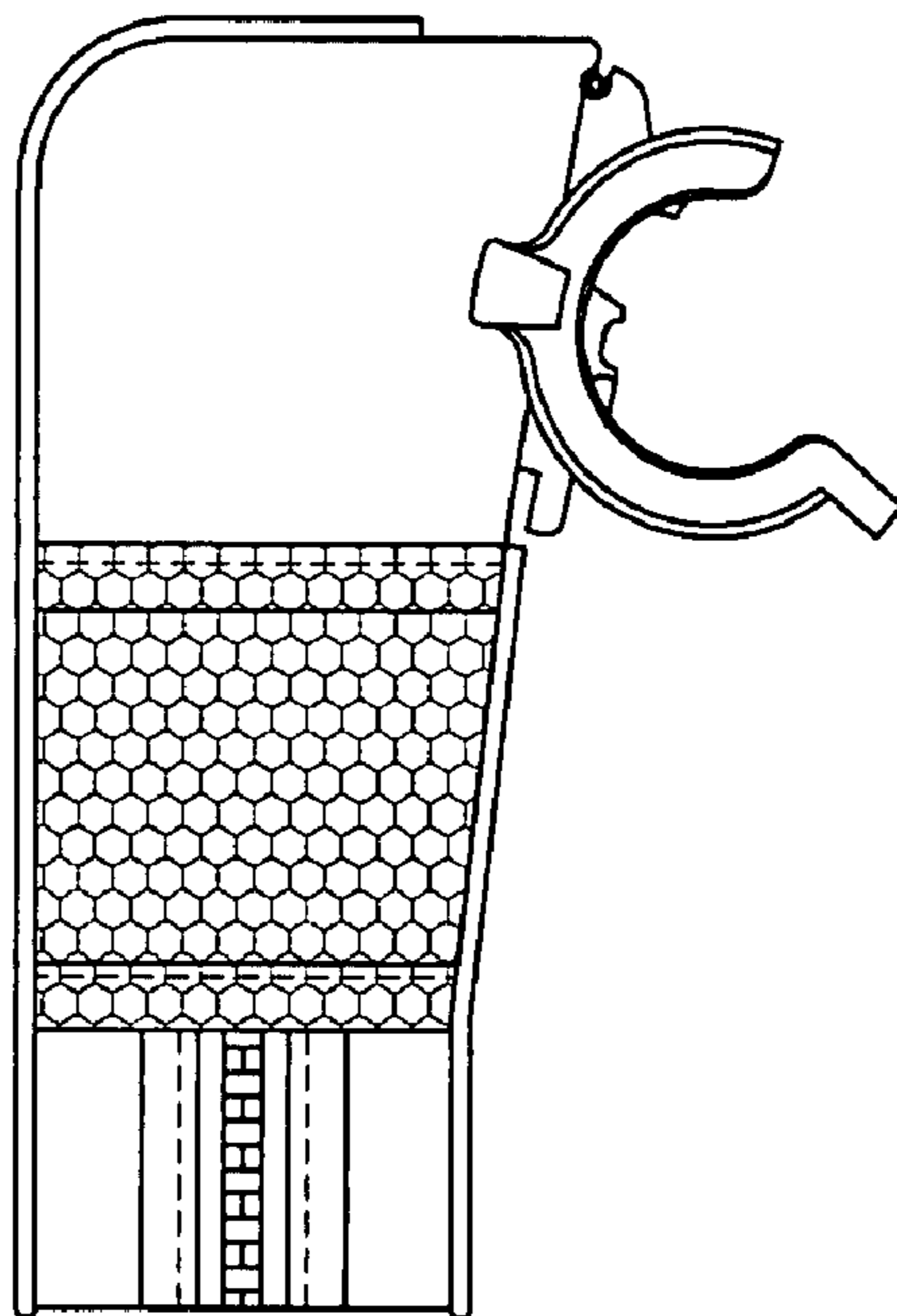


Fig. 5

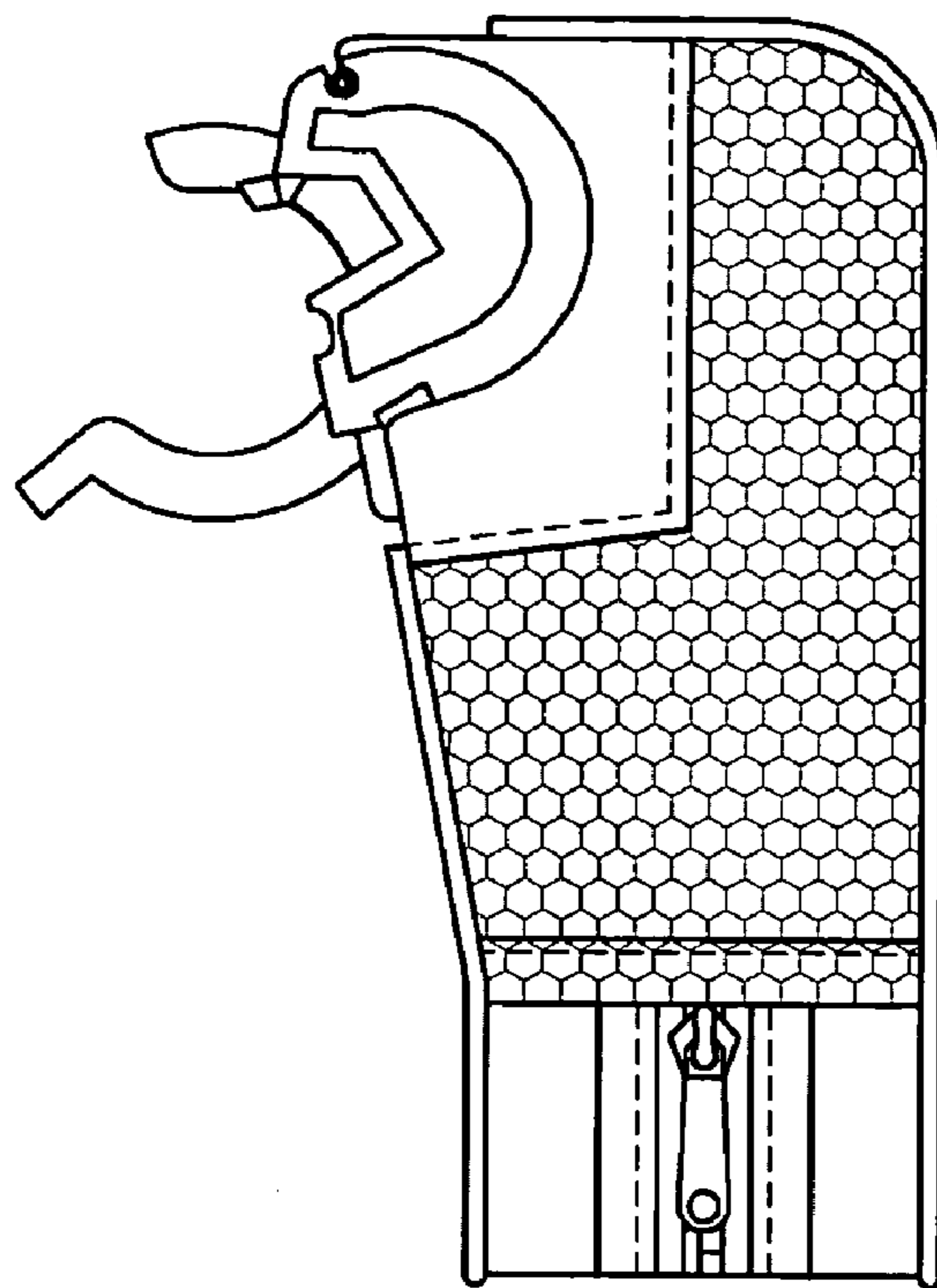


Fig. 6

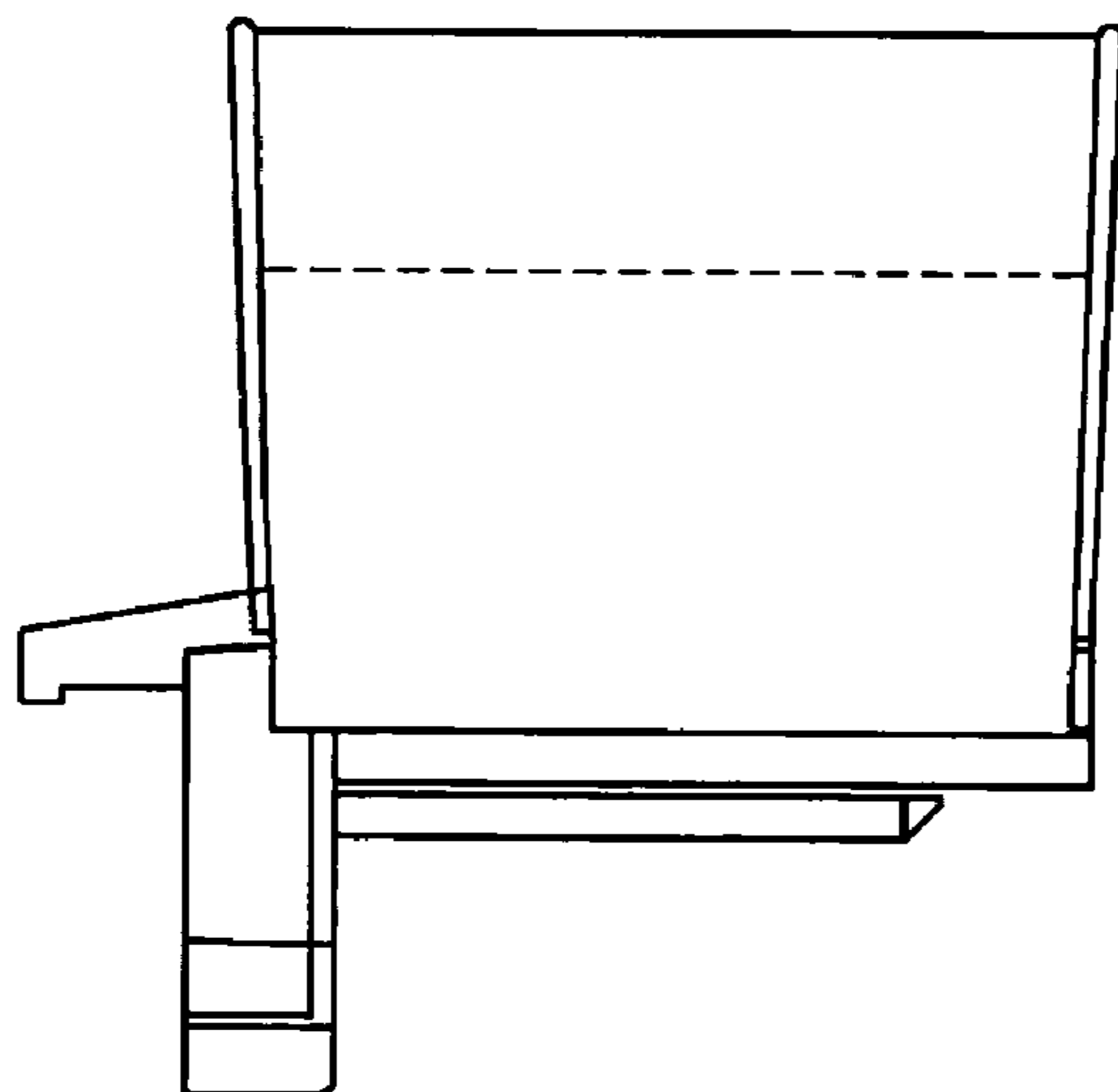


Fig. 7

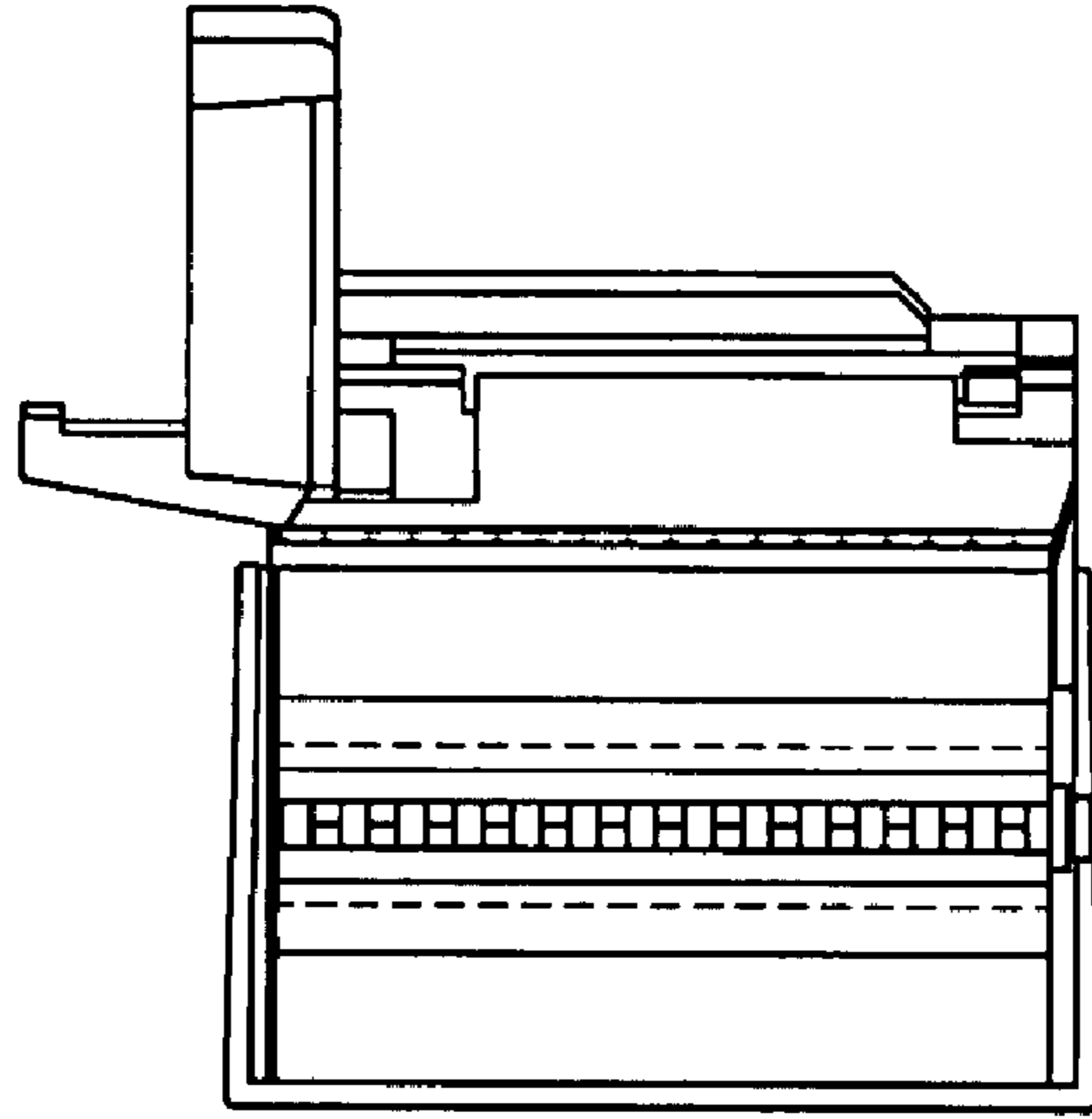


Fig. 8

