

US00D593630S

(12) **United States Design Patent**  
**Salva**

(10) **Patent No.:** **US D593,630 S**  
(45) **Date of Patent:** **\*\* Jun. 2, 2009**

(54) **BARREL FOR SPORTING RIFLES AND FIREARMS**

5,435,089 A \* 7/1995 Rodney, Jr. .... 42/51  
5,782,030 A \* 7/1998 French ..... 42/76.01

(75) Inventor: **Francisco Casas Salva**, Barcelona (ES)

\* cited by examiner

(73) Assignee: **Industrias el Gamo, S.A.**, Barcelona (ES)

*Primary Examiner*—Cathron C Brooks

*Assistant Examiner*—Melanie Levy

(74) *Attorney, Agent, or Firm*—Nixon & Vanderhye, PC

(\*\*) Term: **14 Years**

(57) **CLAIM**

(21) Appl. No.: **29/268,750**

The ornamental design for a barrel for sporting rifles and firearms, as shown and described.

(22) Filed: **Nov. 13, 2006**

(30) **Foreign Application Priority Data**

**DESCRIPTION**

May 12, 2006 (EM) ..... 000528104

FIG. 1 is a right side view of a gun barrel showing my new design;

(51) **LOC (9) Cl.** ..... **22-01**

FIG. 2 is a bottom view thereof;

(52) **U.S. Cl.** ..... **D22/108**

FIG. 3 is a left side view thereof;

(58) **Field of Classification Search** ..... D22/100,  
D22/103, 108, 199; 124/83, 67, 59, 60; 42/76.01,  
42/76.02, 78, 77, 79; 89/14.05, 16, 14.1–14.6  
See application file for complete search history.

FIG. 4 is a top view thereof;

FIG. 5 is a front view thereof;

FIG. 6 is a rear view thereof; and,

FIG. 7 is a top, right side perspective view thereof.

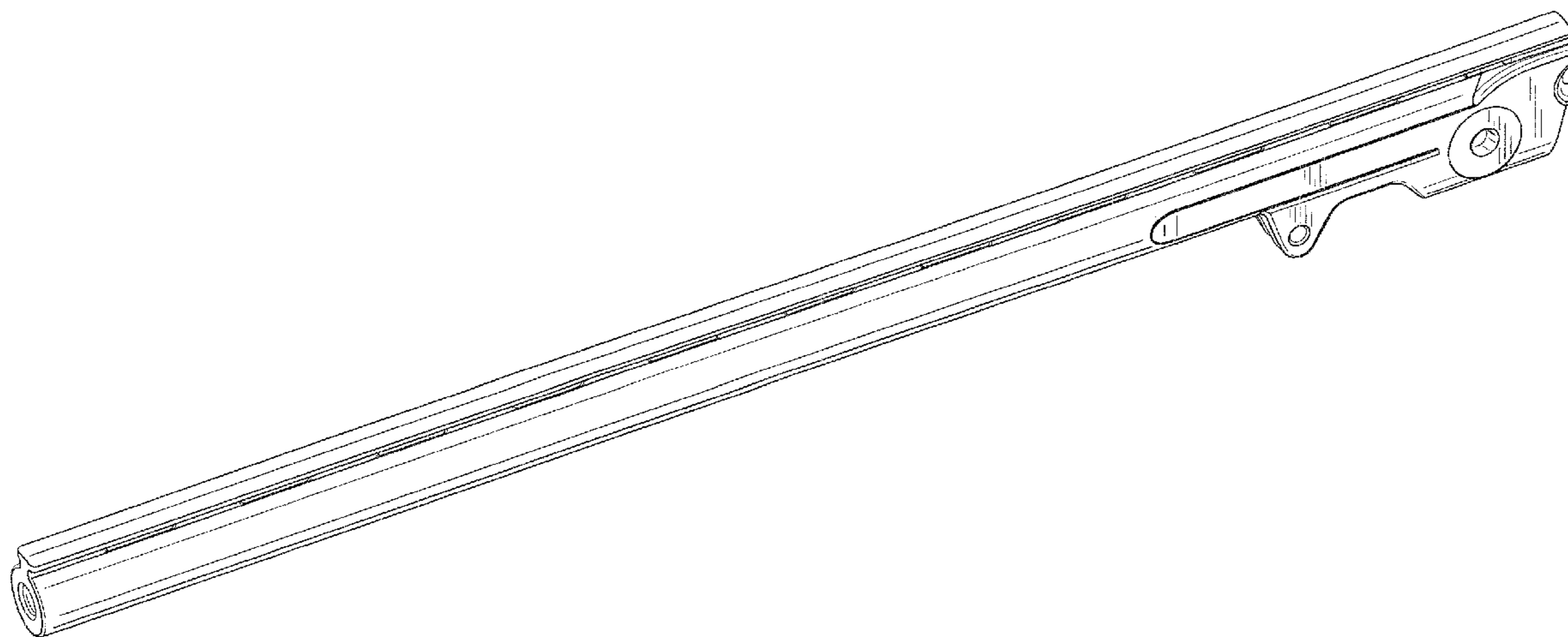
The broken lines shown in the drawings represent unclaimed portions of the design and form no part thereof.

(56) **References Cited**

**U.S. PATENT DOCUMENTS**

4,010,564 A \* 3/1977 Pettit ..... 42/112  
D246,660 S \* 12/1977 Mattarelli ..... D22/109

**1 Claim, 3 Drawing Sheets**



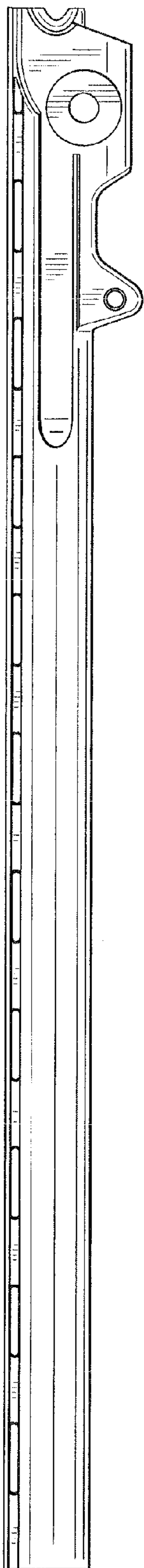


Figure 1

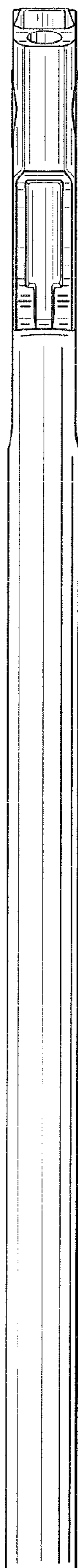


Figure 2

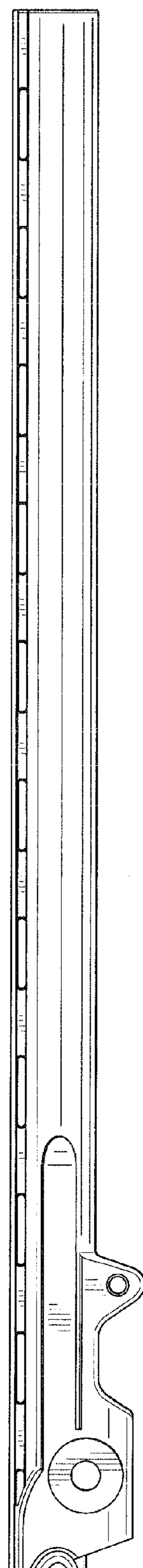


Figure 3

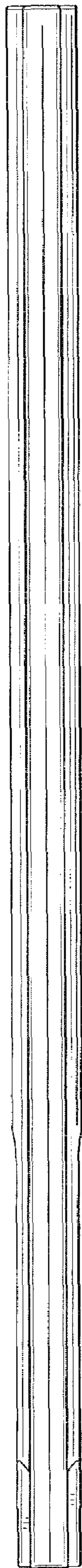


Figure 4

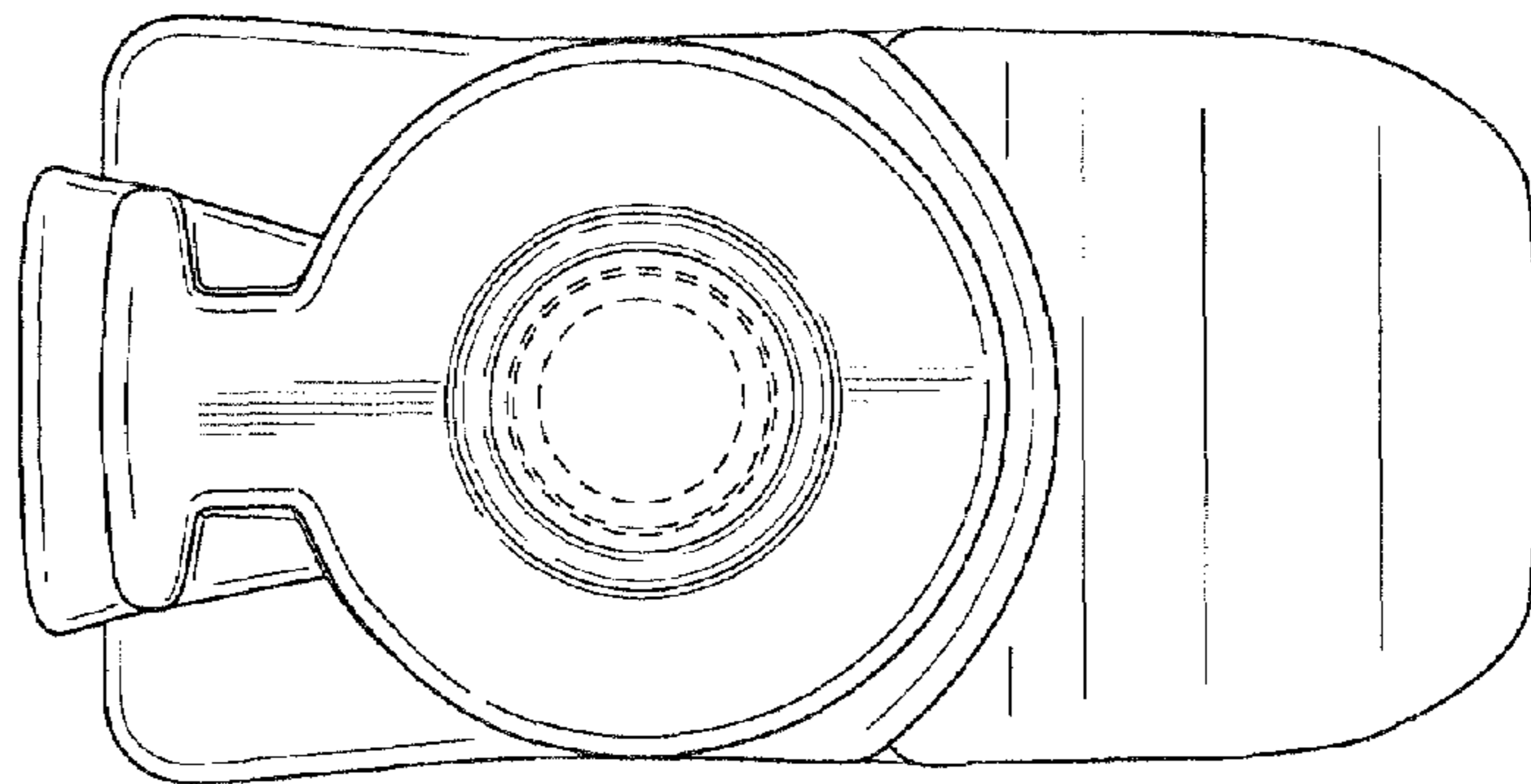


Figure 5

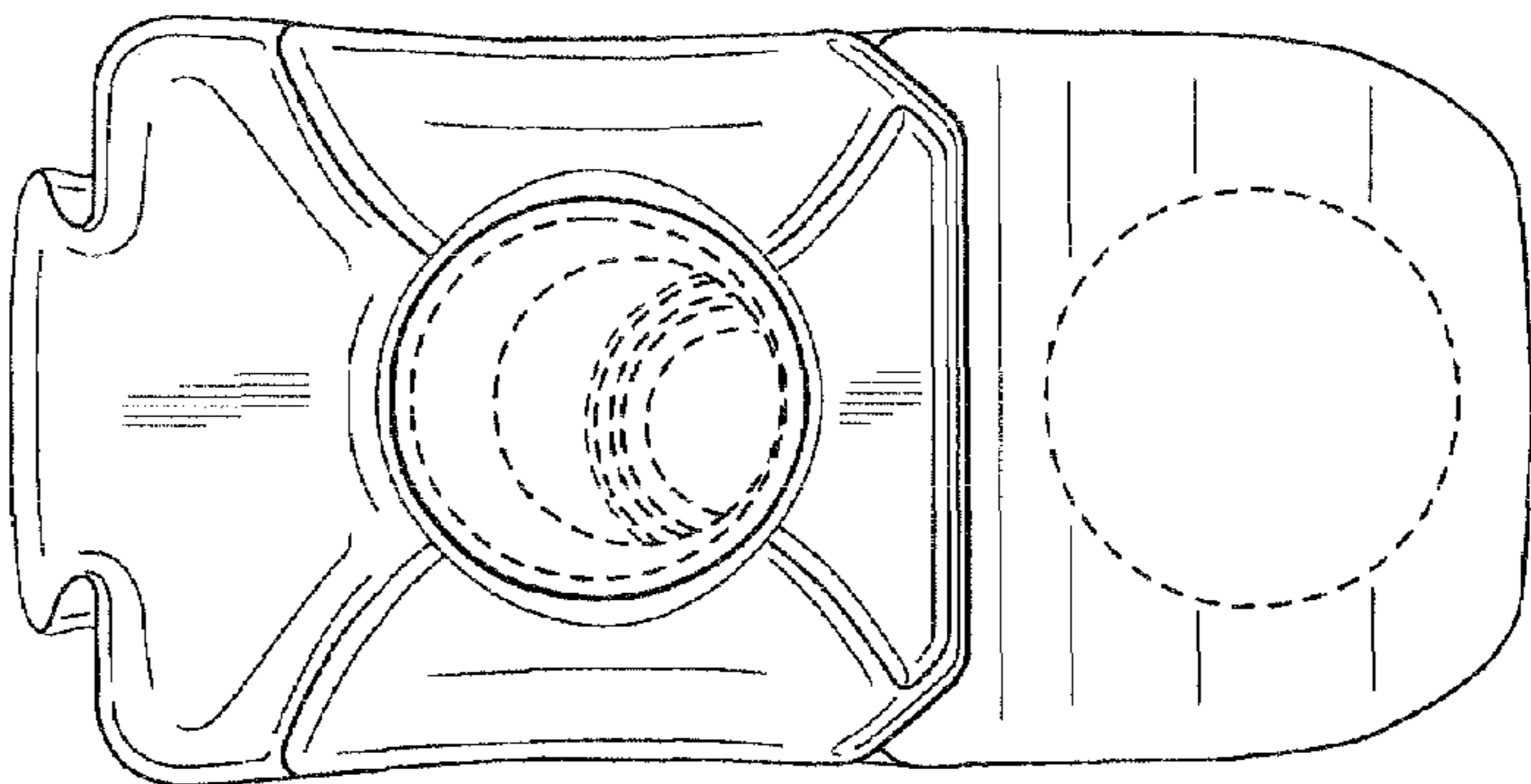


Figure 6

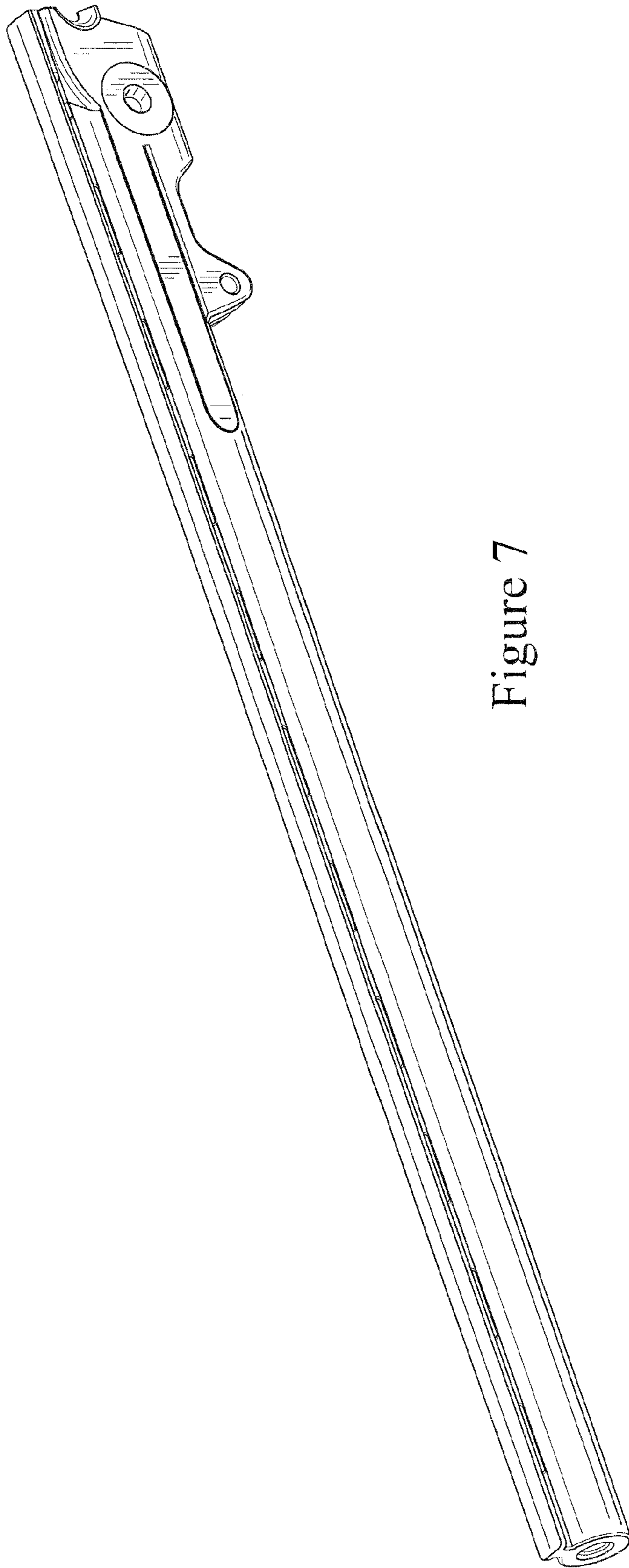


Figure 7