



US00D593627S

(12) **United States Design Patent**  
**Kim et al.**

(10) **Patent No.:** **US D593,627 S**  
(45) **Date of Patent:** **\*\* Jun. 2, 2009**

(54) **IRON GOLF CLUB HEAD**

(75) Inventors: **Kevin W. Kim**, Vista, CA (US); **Homer E. Aguinaldo**, Chula Vista, CA (US); **Matthew S. Hoffmeyer**, Carlsbad, CA (US); **Luke R. Williams**, Carlsbad, CA (US)

(73) Assignee: **Callaway Golf Company**, Carlsbad, CA (US)

(\*\*) Term: **14 Years**

(21) Appl. No.: **29/280,589**

(22) Filed: **May 31, 2007**

(51) **LOC (9) Cl.** ..... **21-02**

(52) **U.S. Cl.** ..... **D21/747**

(58) **Field of Classification Search** ..... D21/747-751, D21/759; 473/324-331, 350  
See application file for complete search history.

(56) **References Cited**

**U.S. PATENT DOCUMENTS**

- 5,356,138 A \* 10/1994 Chen et al. .... 473/291
- D537,894 S \* 3/2007 Cleveland et al. .... D21/747
- D544,055 S \* 6/2007 Wieland et al. .... D21/747
- D547,407 S \* 7/2007 Morris et al. .... D21/759

- D549,791 S \* 8/2007 Morris et al. .... D21/748
- D556,278 S \* 11/2007 Mahaffey et al. .... D21/747
- D563,497 S \* 3/2008 Mahaffey et al. .... D21/747

\* cited by examiner

*Primary Examiner*—Mitchell I Siegel  
(74) *Attorney, Agent, or Firm*—Michael A. Catania; Elaine H. Lo

(57) **CLAIM**

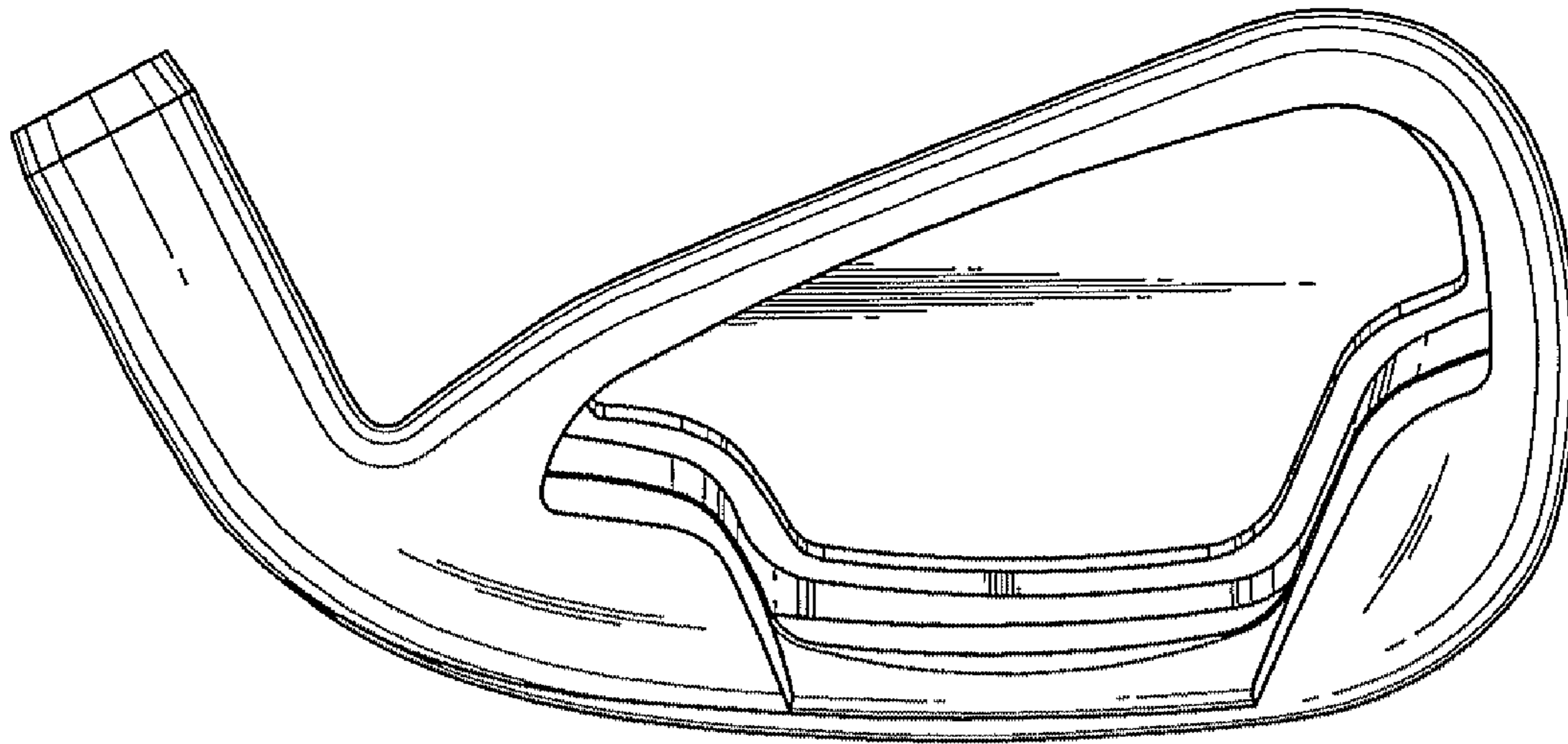
The ornamental design for an iron golf club head, as shown and described.

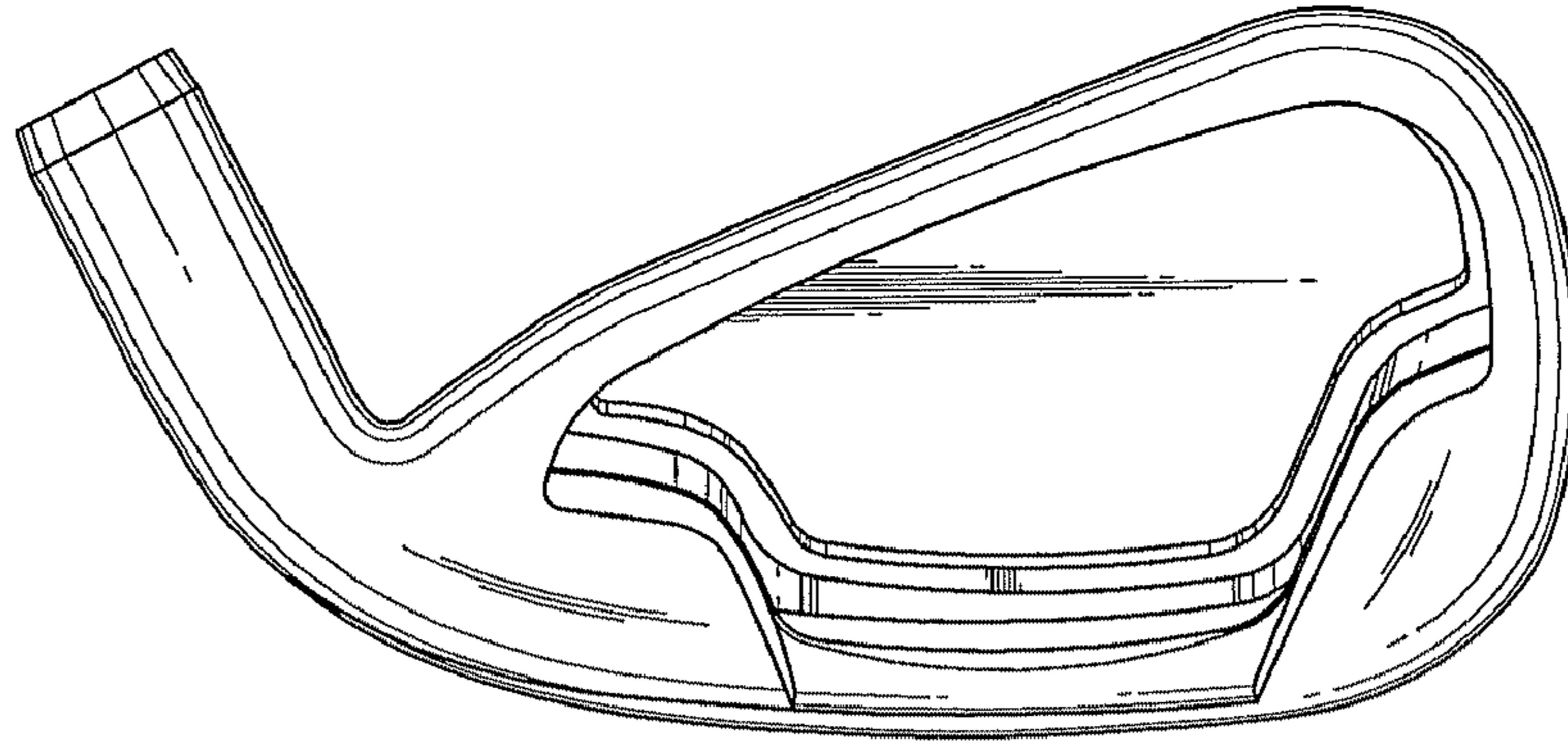
**DESCRIPTION**

FIG. 1 is a rear elevational view of iron golf club head;  
FIG. 2 is a bottom plan view thereof;  
FIG. 3 is a top rear perspective thereof,  
FIG. 4 is a front elevational view thereof;  
FIG. 5 is a top plan view thereof;  
FIG. 6 is a heel end view thereof; and,  
FIG. 7 is a toe end view thereof.

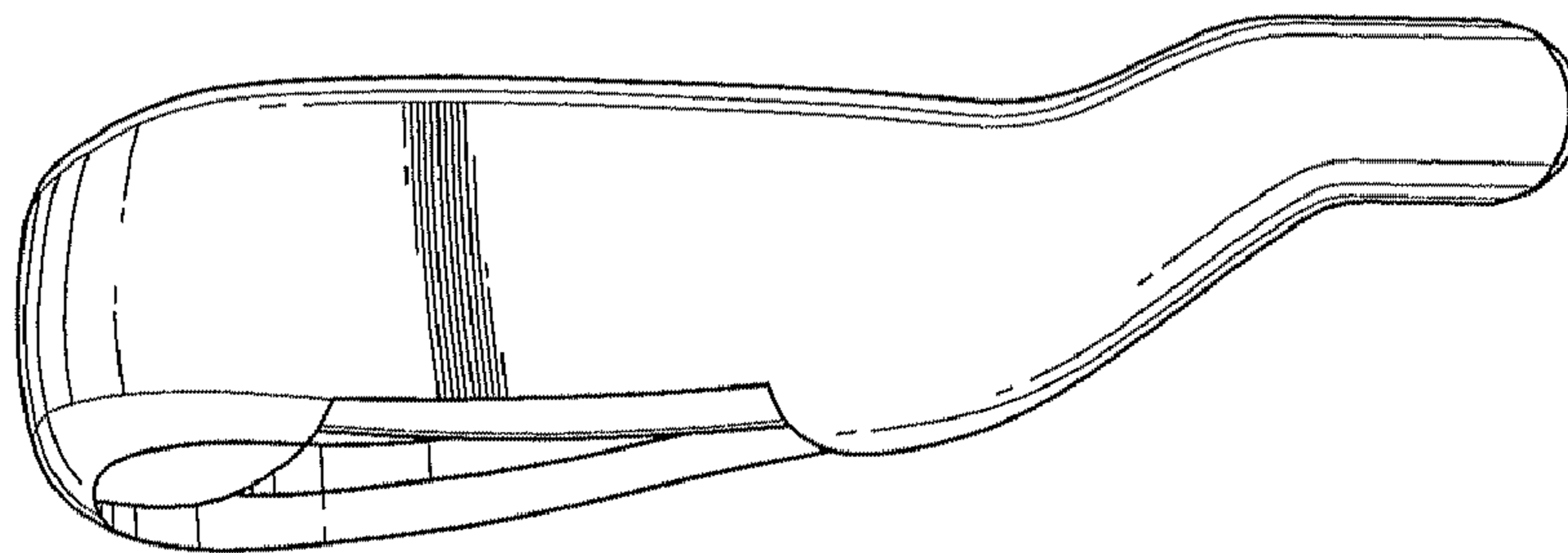
The broken line showing is included for the purpose of illustrating and forms no part of the claimed design.

**1 Claim, 2 Drawing Sheets**

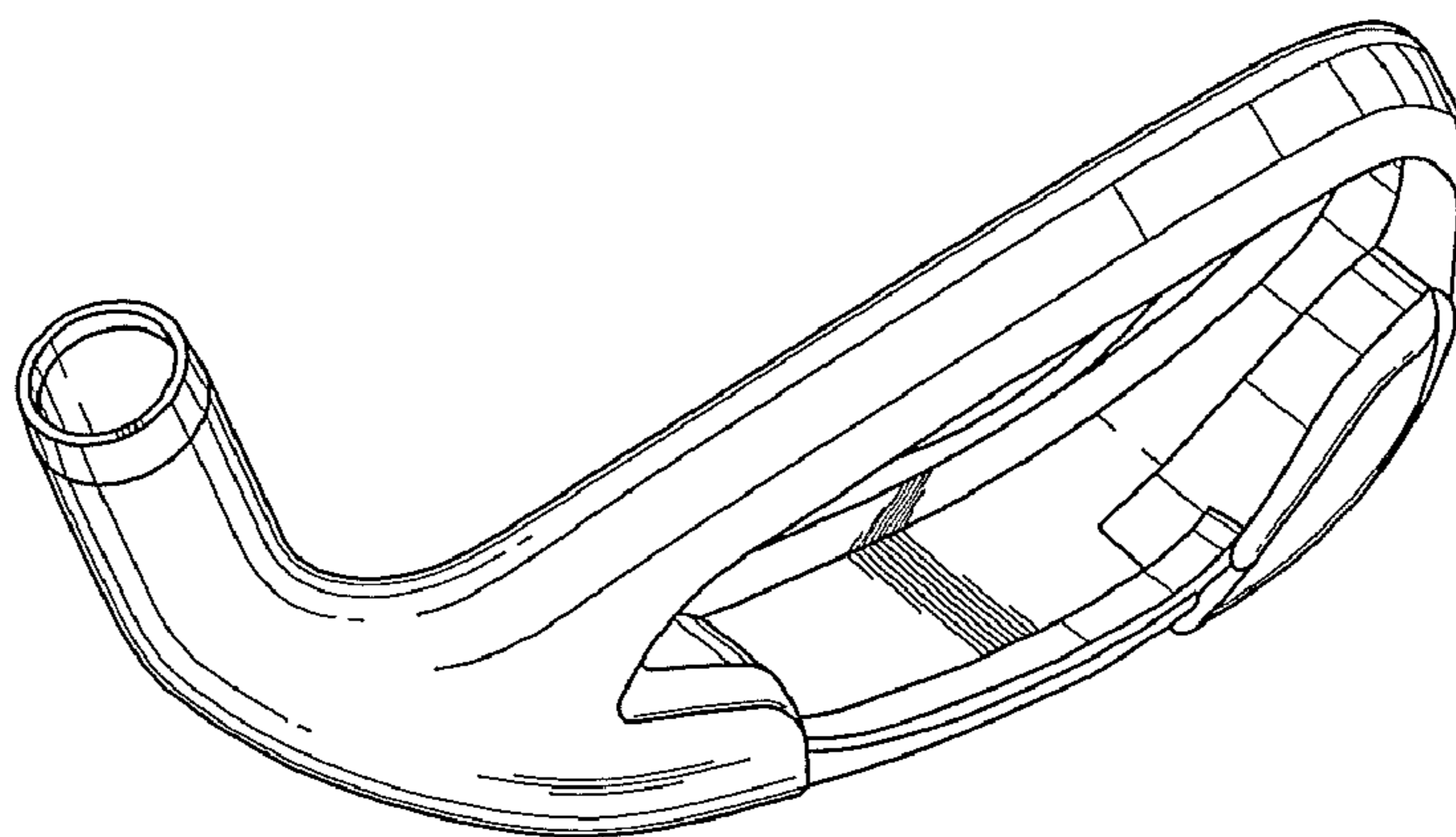




*FIG. 1*



*FIG. 2*



*FIG. 3*

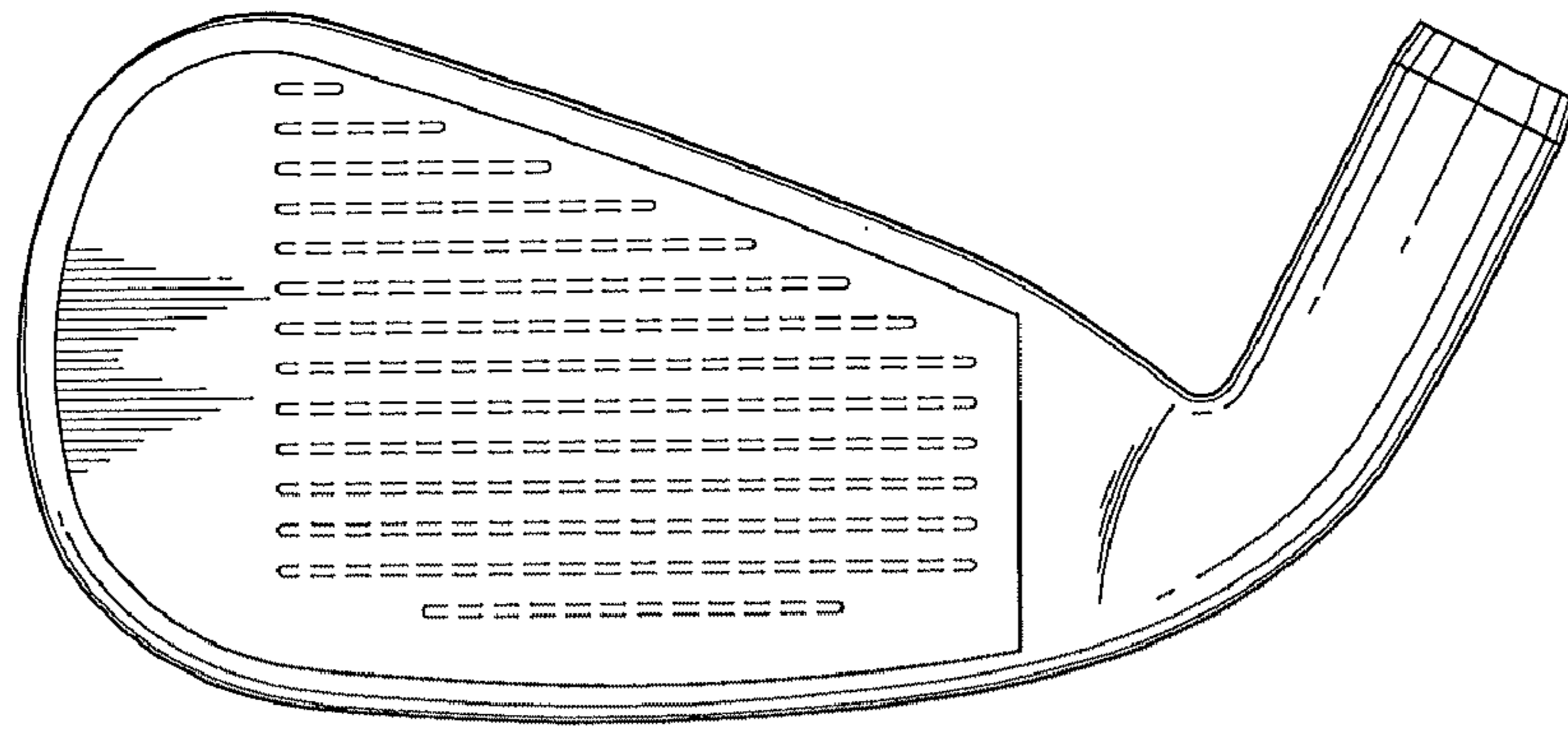


FIG. 4

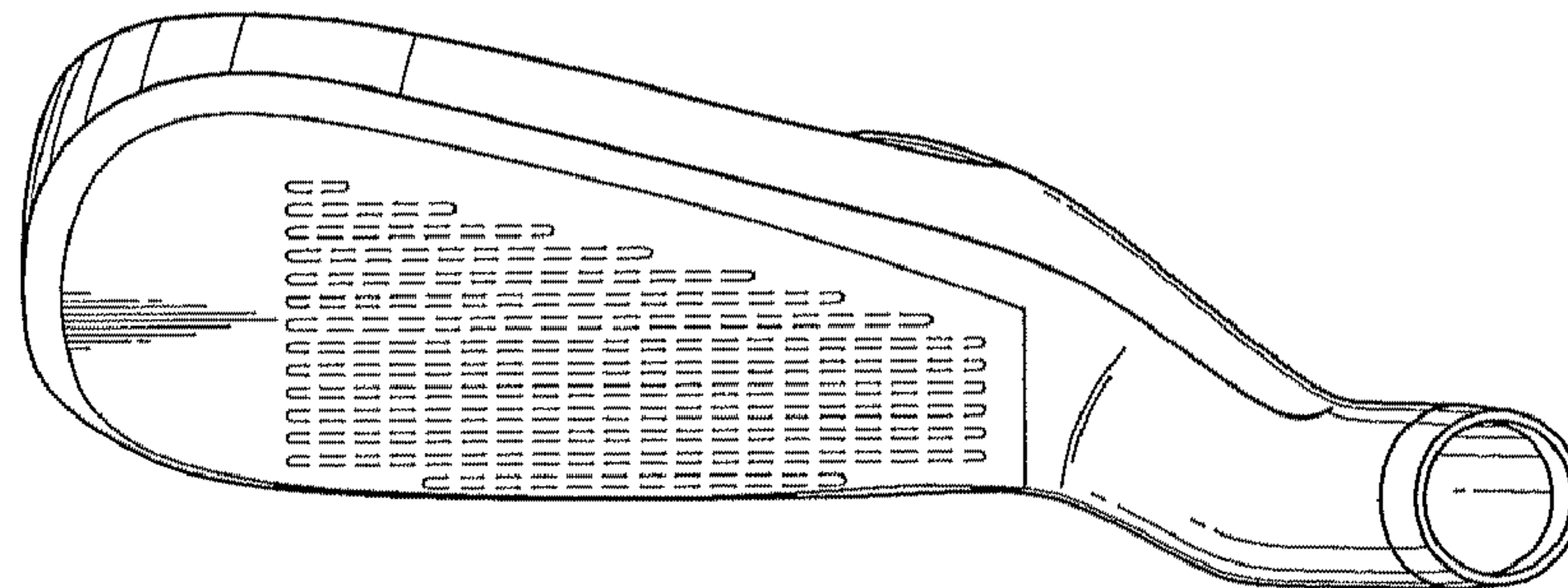


FIG. 5

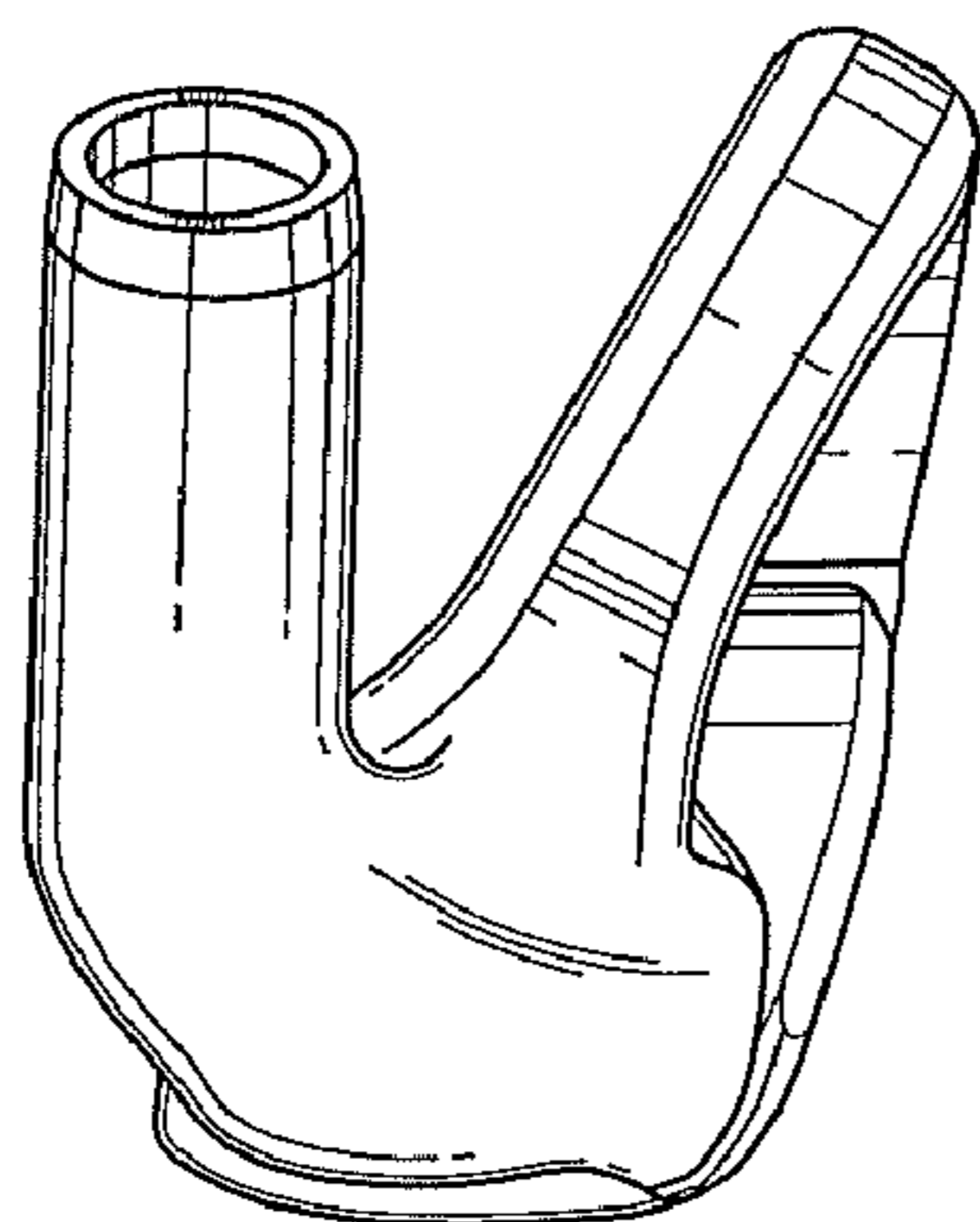


FIG. 6

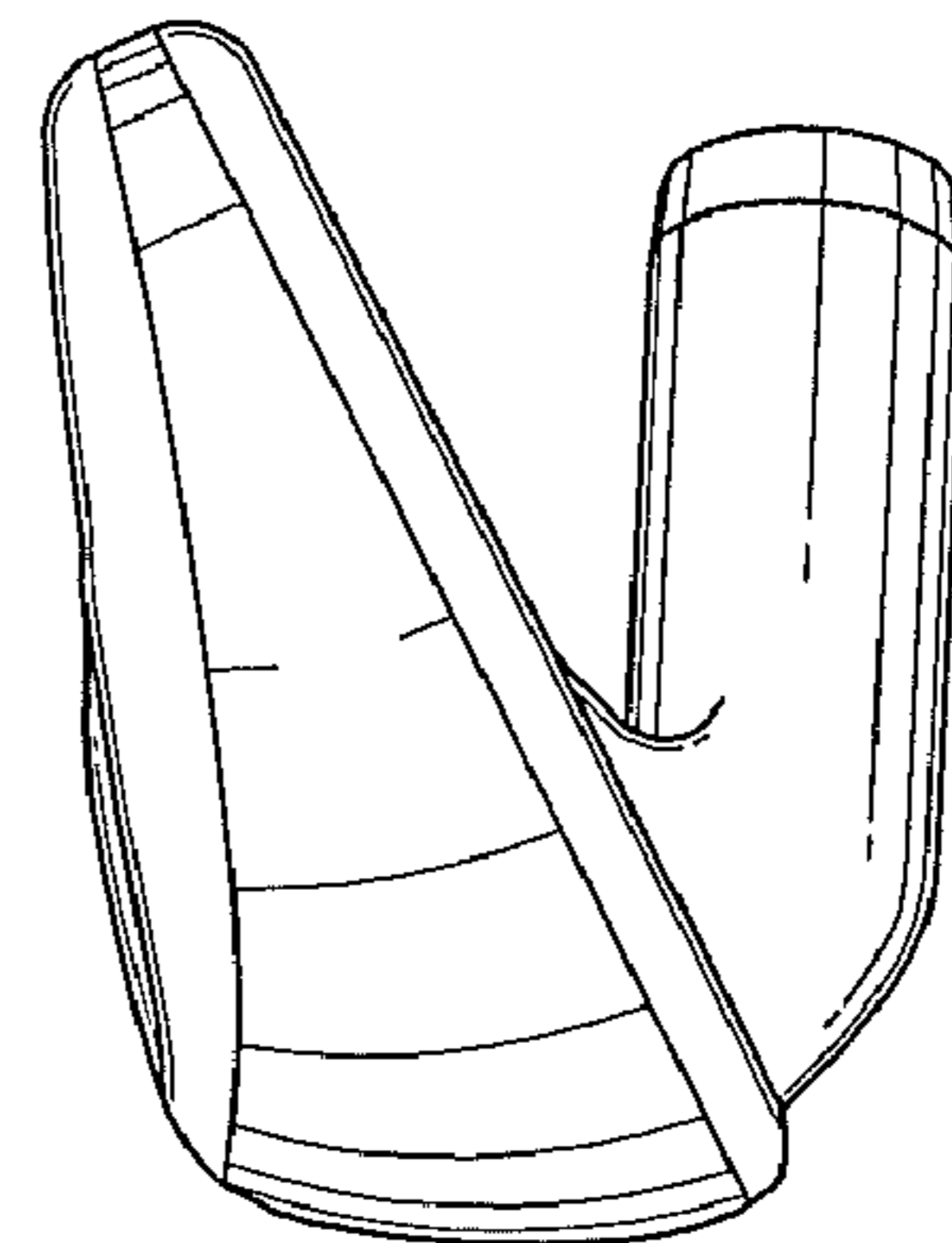


FIG. 7