

US00D593625S

(12) **United States Design Patent**
Pedrini

(10) **Patent No.:** **US D593,625 S**
(45) **Date of Patent:** **** Jun. 2, 2009**

(54) **FRAME FOR A BICYCLE TRAINER**

7,101,320 B2 * 9/2006 Qiu 482/63

(75) Inventor: **Fabio Pedrini**, Bologna (IT)

OTHER PUBLICATIONS

(73) Assignee: **Saris Cycling Group, Inc.**, Madison, WI (US)

“Owner’s Manual For The Fluid² Magneto, Mag, Mag+, and Wind Trainers”, CycleOps, 5253 Verona Road, Madison, WI 53711, Jul. 2006, 8 pages.

(**) Term: **14 Years**

“ProTrainer”, <http://www.kurtkinetic.com/images/products/pro-trainer.jpg>, May 23, 2008, 3 pages.

(21) Appl. No.: **29/317,757**

* cited by examiner

(22) Filed: **May 6, 2008**

Primary Examiner—Philip S Hyder

(74) *Attorney, Agent, or Firm*—Boyle Fredrickson, S.C.

(51) **LOC (9) Cl.** **21-02**

(52) **U.S. Cl.** **D21/664; D21/697**

(58) **Field of Classification Search** D21/662–668, D21/694, 697; 482/57, 58, 59, 61
See application file for complete search history.

(57) **CLAIM**

The ornamental design of a frame for a bicycle trainer, as shown and described.

(56) **References Cited**

DESCRIPTION

U.S. PATENT DOCUMENTS

D298,156 S *	10/1988	Blackburn	D21/664
D306,193 S *	2/1990	Blackburn	D21/664
4,941,651 A *	7/1990	Phillips	482/61
D311,884 S *	11/1990	Kagayama	D21/664
D334,038 S *	3/1993	Case	D21/664
5,944,637 A *	8/1999	Stickler et al.	482/61
6,019,708 A *	2/2000	Kaminski et al.	482/57
6,620,081 B2 *	9/2003	Phillips	482/57
6,702,721 B2 *	3/2004	Schroeder	482/61
6,736,761 B2 *	5/2004	Huang	482/57
6,843,758 B2 *	1/2005	Qiu	482/61
7,011,607 B2 *	3/2006	Kolda et al.	482/57

FIG. 1 is an isometric view of a bicycle trainer frame incorporating my new design, wherein the portions illustrated in phantom form no part of the claimed design;

FIG. 2 is a left side elevation view thereof;

FIG. 3 is a rear plan view thereof;

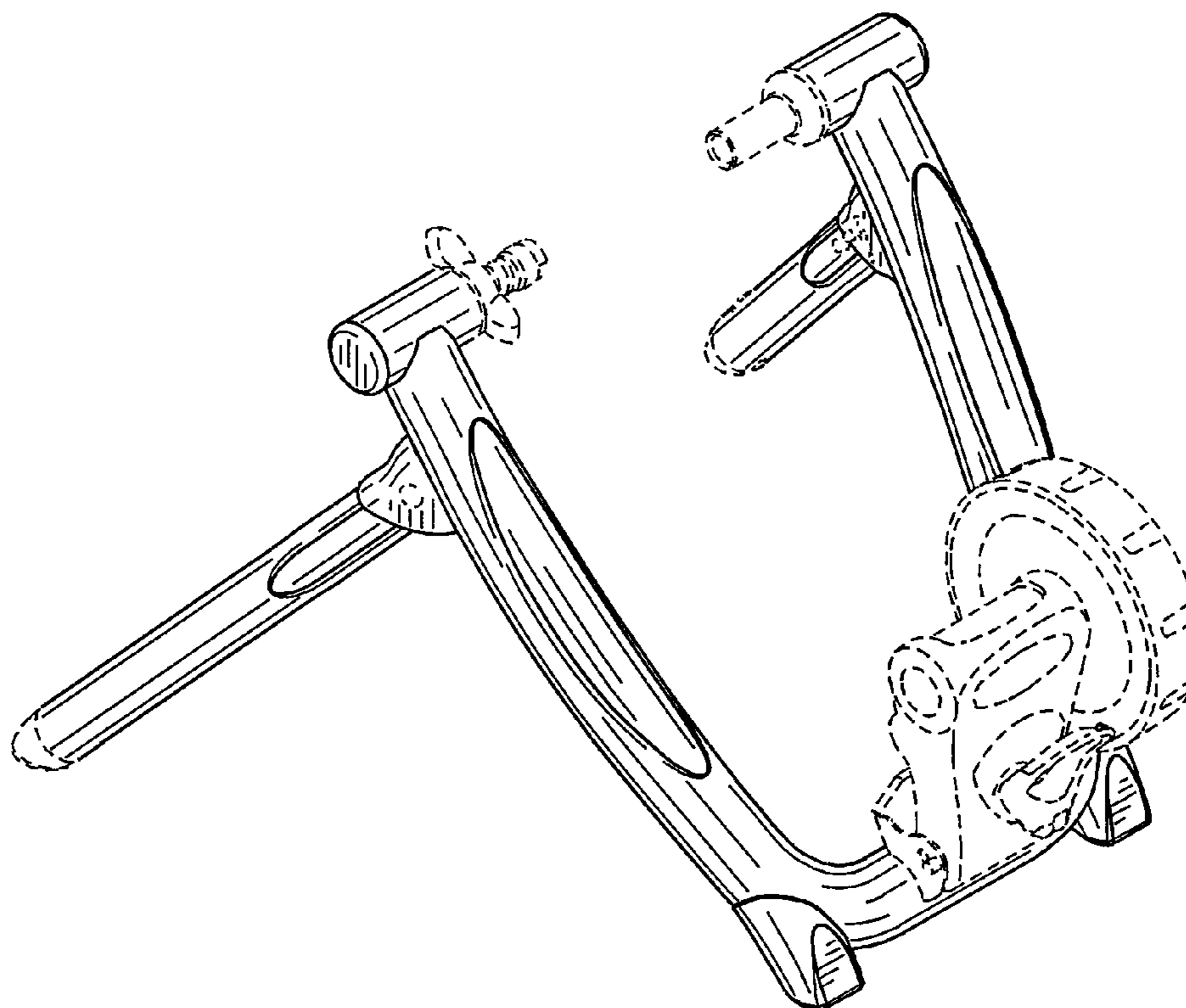
FIG. 4 is a right side elevation view thereof;

FIG. 5 is a rear elevation view thereof;

FIG. 6 is a top plan view thereof; and,

FIG. 7 is a bottom plan view thereof.

1 Claim, 5 Drawing Sheets



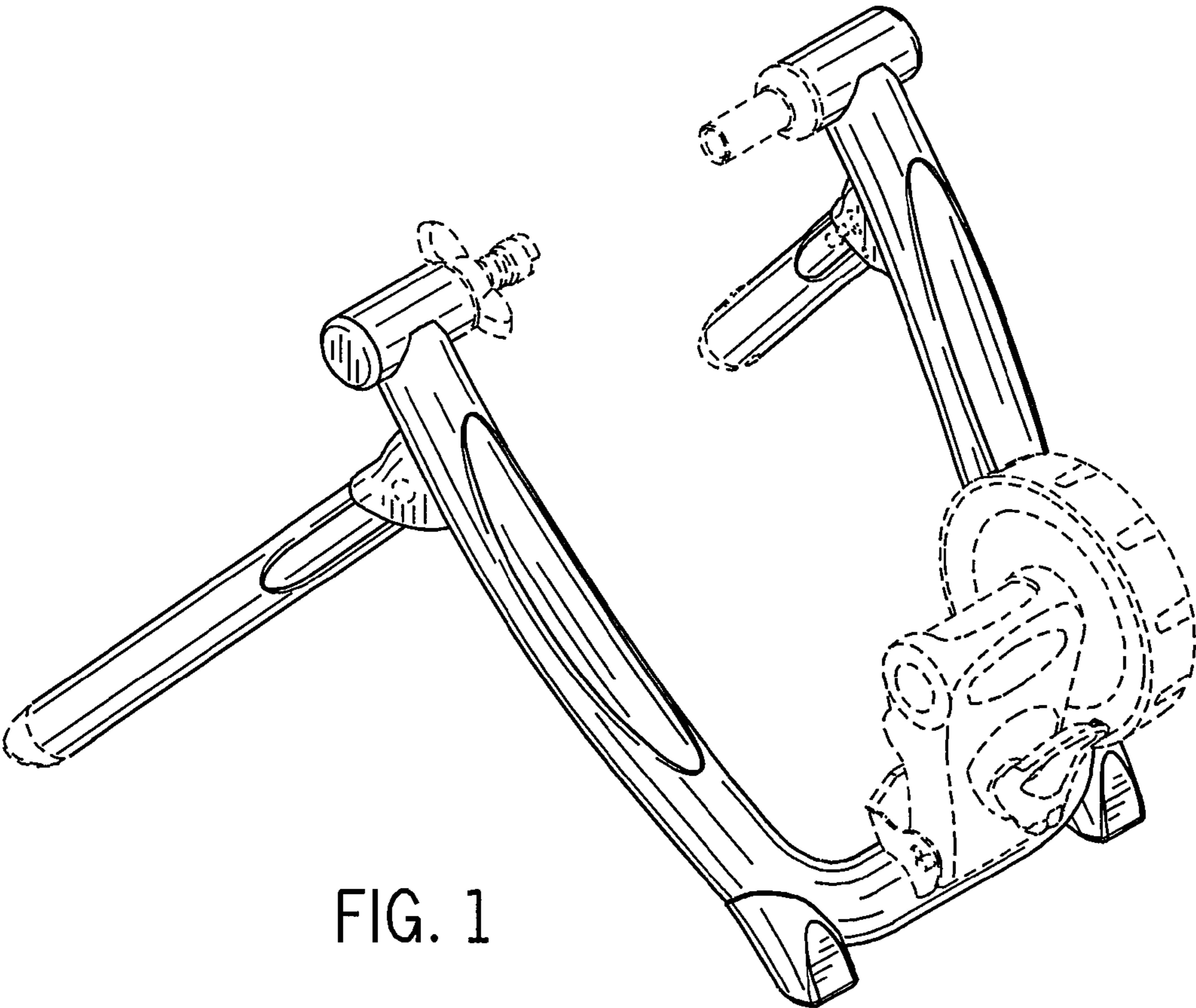


FIG. 1

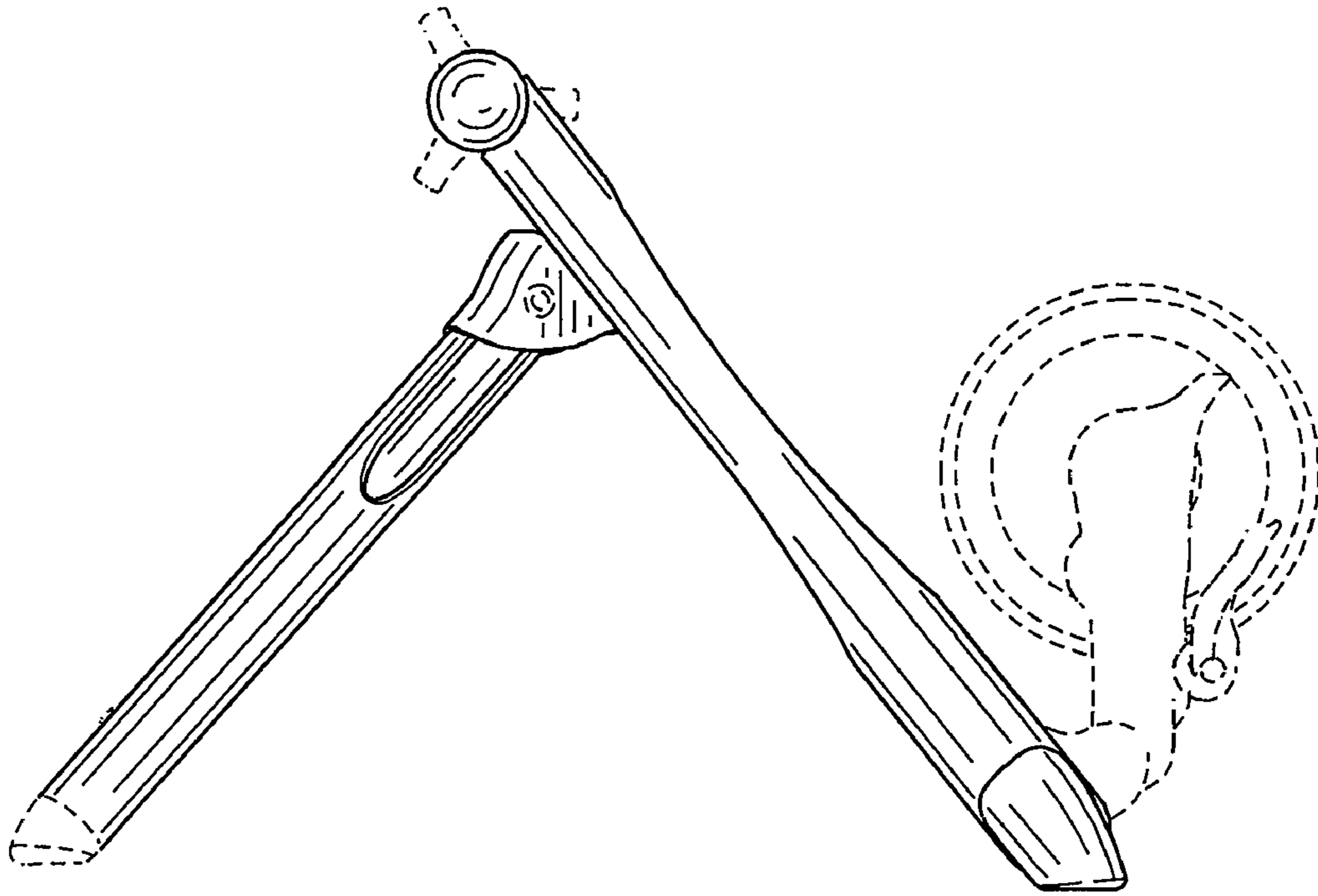


FIG. 2

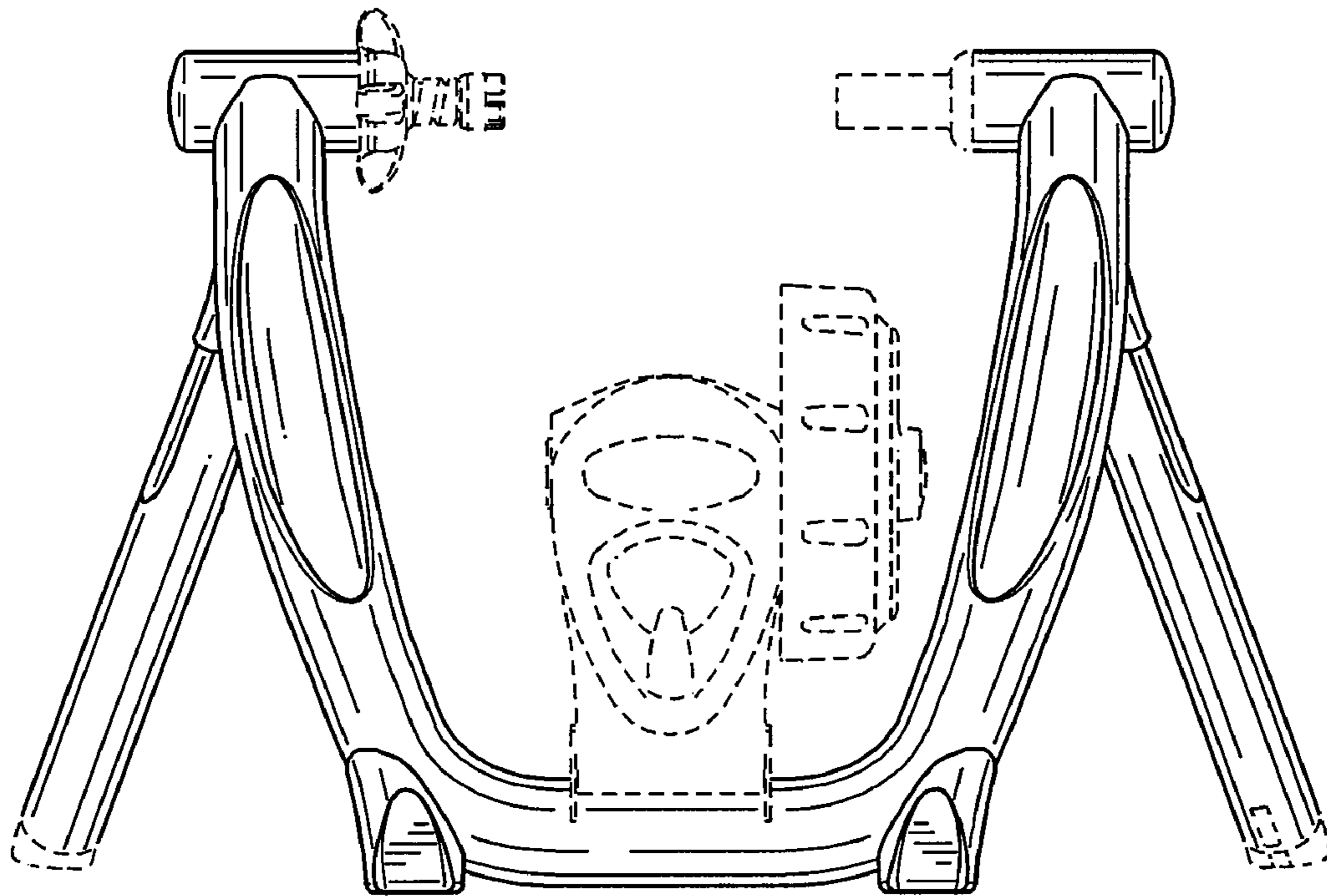


FIG. 3

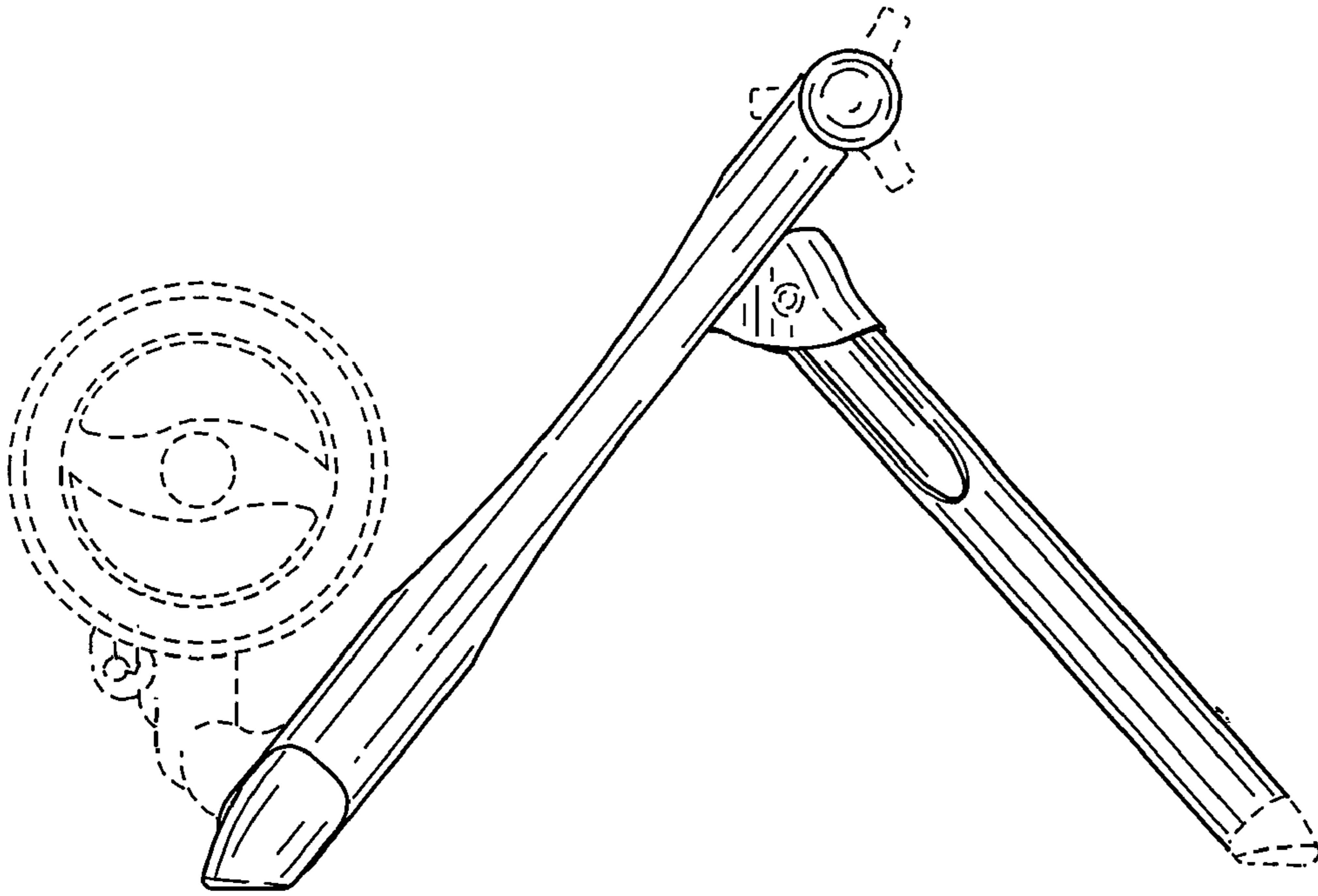


FIG. 4

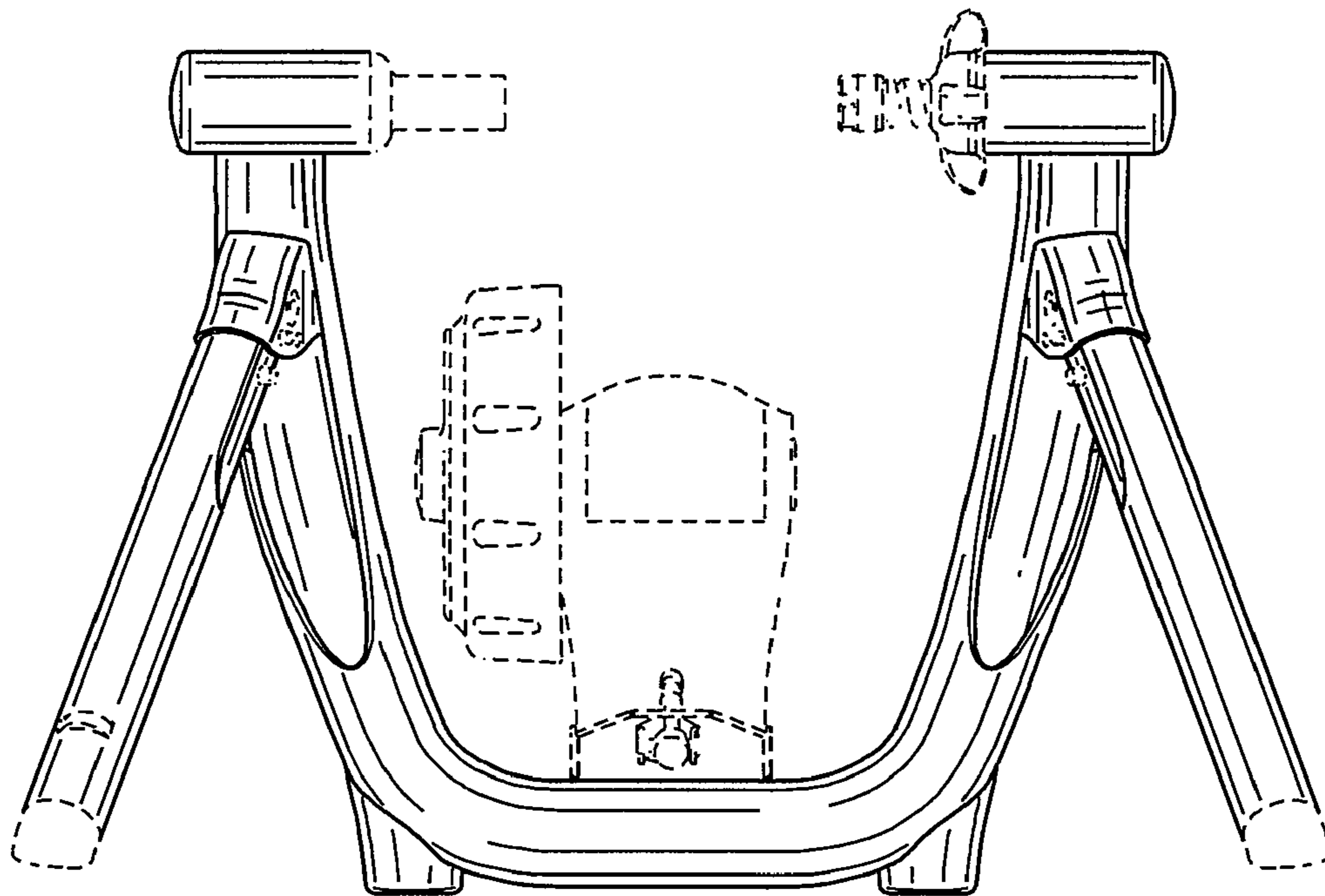


FIG. 5

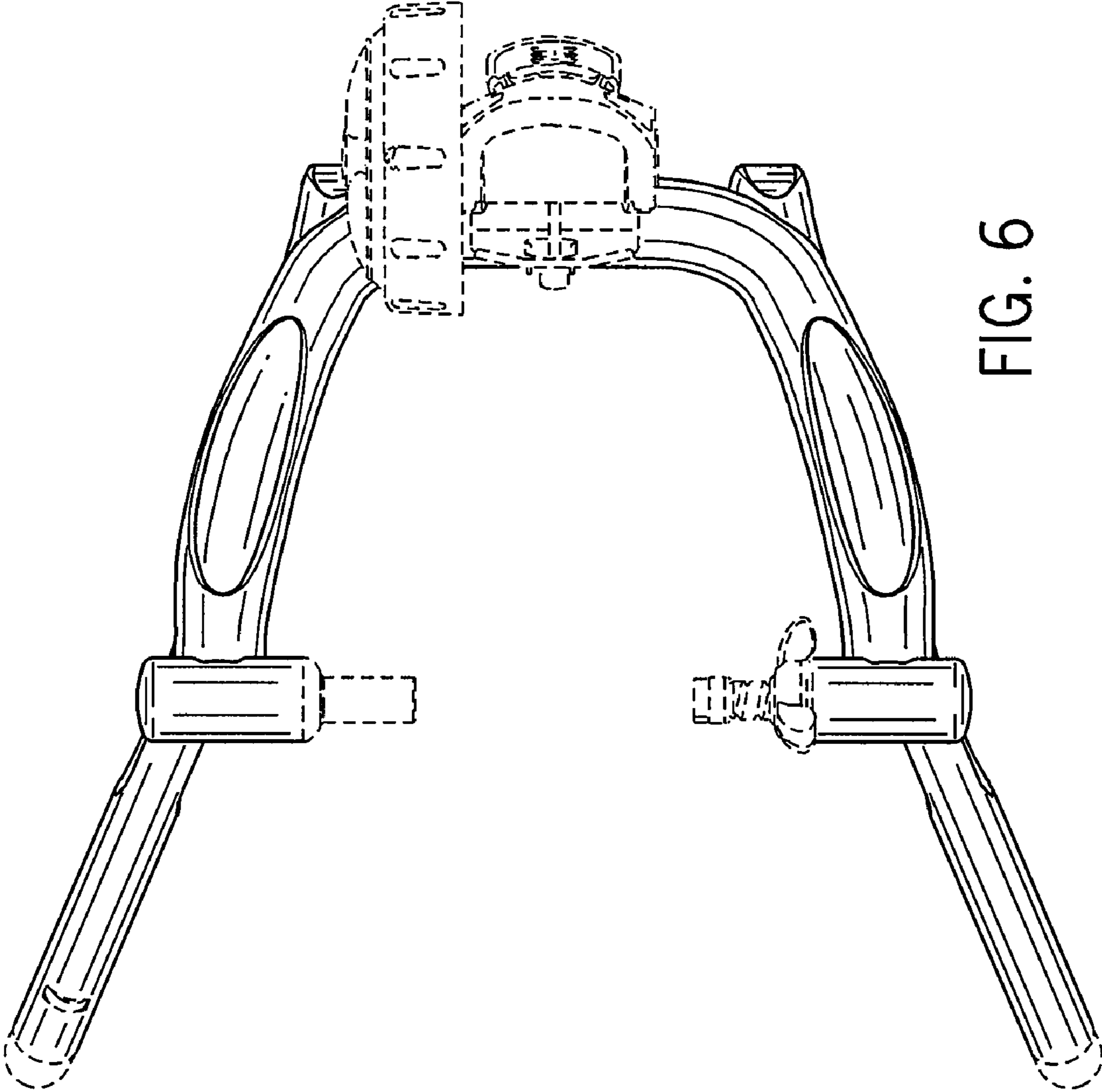


FIG. 6

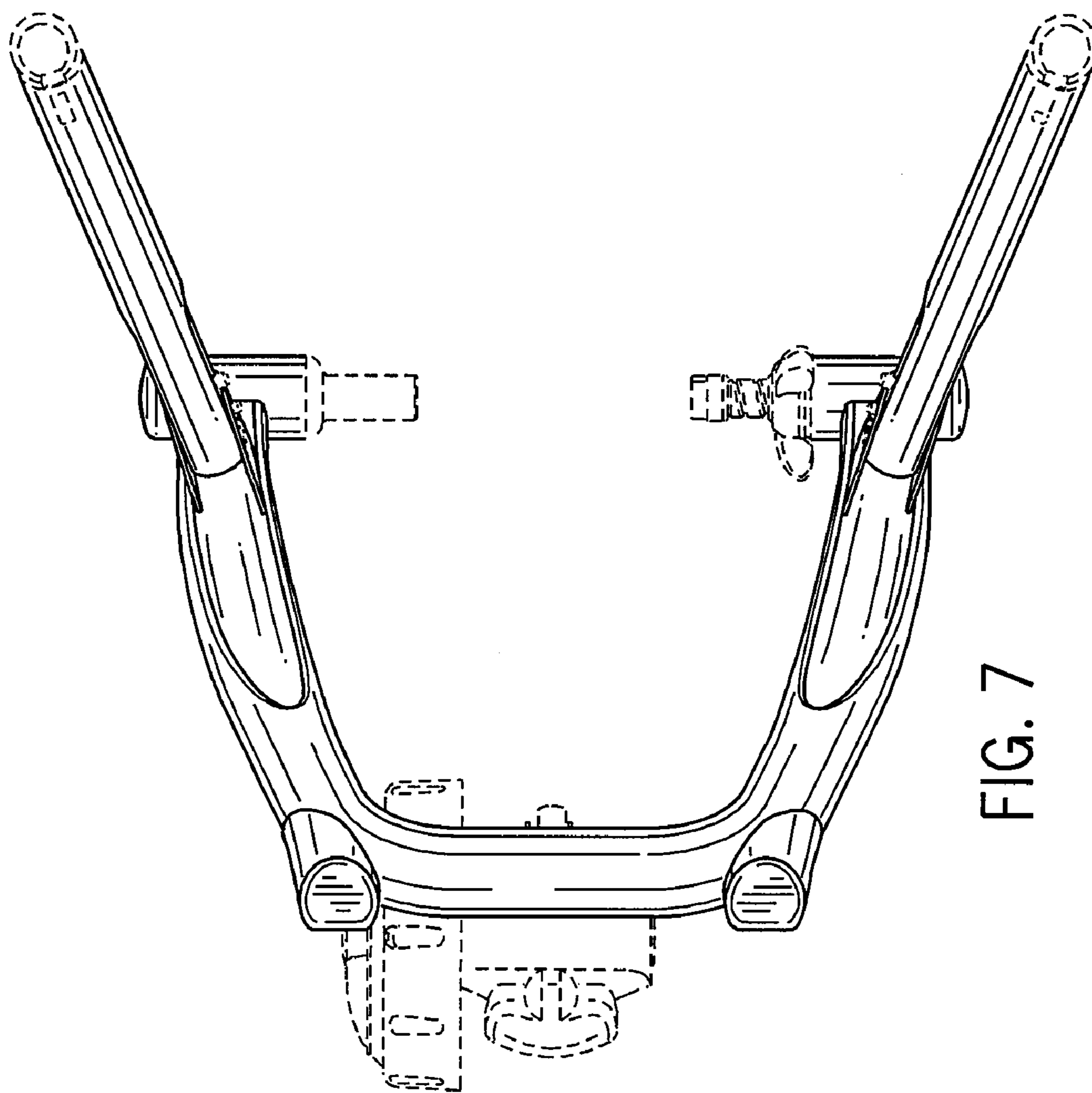


FIG. 7