



US00D593623S

(12) **United States Design Patent**  
**Halmone**

(10) **Patent No.:** **US D593,623 S**  
(45) **Date of Patent:** **\*\* Jun. 2, 2009**

(54) **PAINTBALL GUN**

(75) Inventor: **Fabrice N. V. Halmone**, Ville la Grand (FR)

(73) Assignee: **Kingman International Corporation**, Baldwin Park, CA (US)

(\*\*) Term: **14 Years**

(21) Appl. No.: **29/328,536**

(22) Filed: **Nov. 25, 2008**

(51) **LOC (9) Cl.** ..... **21-01**

(52) **U.S. Cl.** ..... **D21/574**

(58) **Field of Classification Search** ..... D21/567,  
D21/570-575; D22/100, 101, 103, 104,  
D22/108, 109; 124/41.1, 45, 49, 50, 51.1,  
124/55, 56, 69, 70-79, 80, 82; 42/54; 446/401,  
446/405, 406

See application file for complete search history.

(56) **References Cited**

**U.S. PATENT DOCUMENTS**

D458,652 S \* 6/2002 Chan ..... D21/574  
D503,208 S \* 3/2005 Krieger ..... D22/104  
D505,476 S \* 5/2005 McGarry ..... D22/104  
D516,661 S \* 3/2006 McGarry ..... D22/104  
D532,836 S \* 11/2006 Shih ..... D21/573  
7,252,080 B2 \* 8/2007 Yeh ..... 124/82

D559,337 S \* 1/2008 Wang ..... D21/574  
D570,925 S \* 6/2008 Wu ..... D21/574  
2004/0200467 A1 \* 10/2004 Tiberius et al. .... 124/74  
2006/0288990 A1 \* 12/2006 Wei ..... 124/80

\* cited by examiner

*Primary Examiner*—Holly H Baynham

*Assistant Examiner*—Cynthia M Chin

(74) *Attorney, Agent, or Firm*—Blakely, Sokoloff, Taylor & Zafman, LLP

(57) **CLAIM**

The ornamental design for a paintball gun, as shown and described.

**DESCRIPTION**

FIG. 1 is a perspective view of a paintball gun of the invention.

FIG. 2 is a left side view of the paintball gun of FIG. 1.

FIG. 3 is a right side view of the paintball gun of FIG. 1.

FIG. 4 is a front view of the paintball gun of FIG. 1.

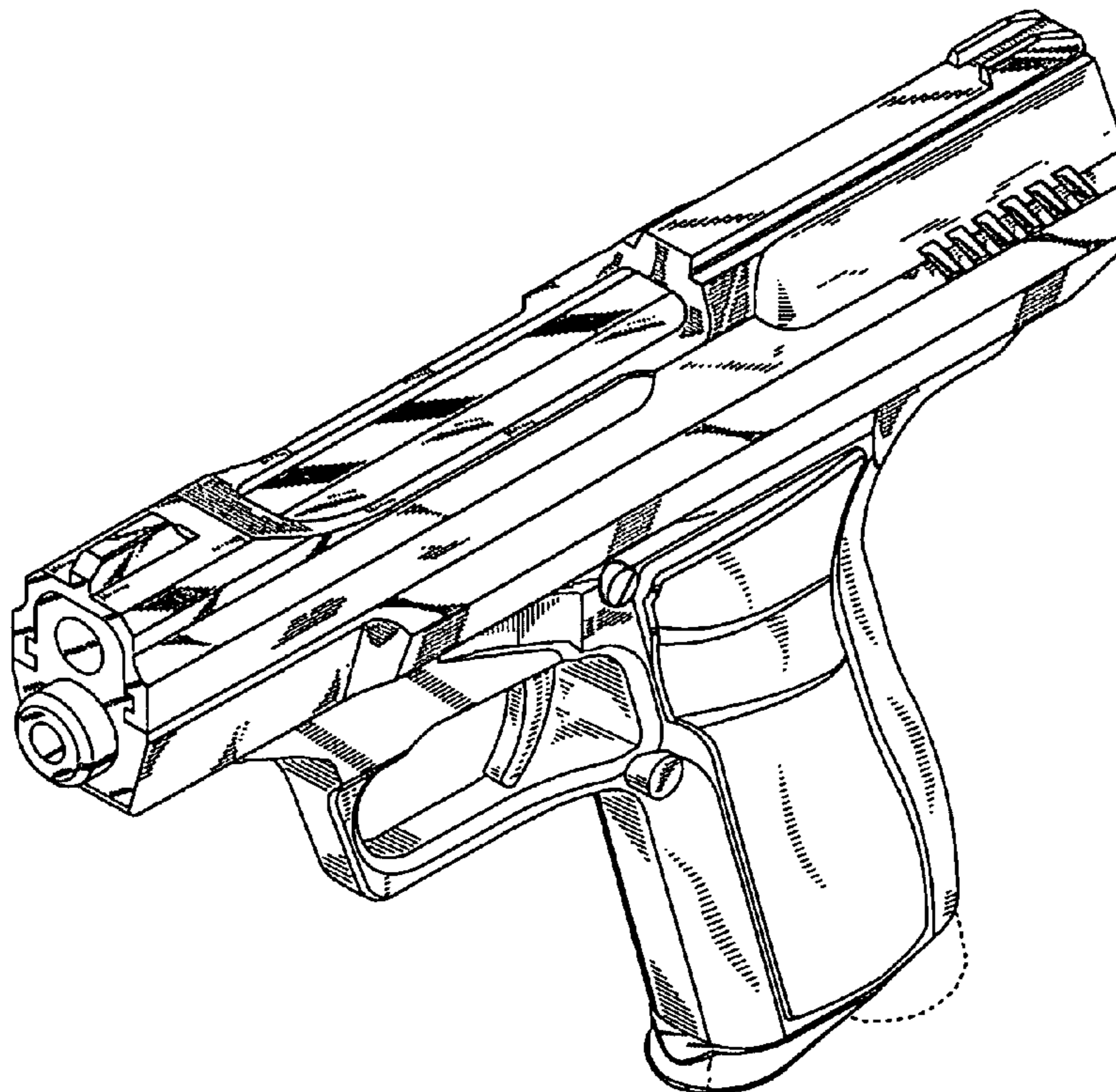
FIG. 5 is a rear view of the paintball gun of FIG. 1.

FIG. 6 is a top view of the paintball gun of FIG. 1; and,

FIG. 7 is a bottom view of the paintball gun of FIG. 1.

The broken lines in the figures are for environmental purpose only and form no part of the claimed design.

**1 Claim, 3 Drawing Sheets**



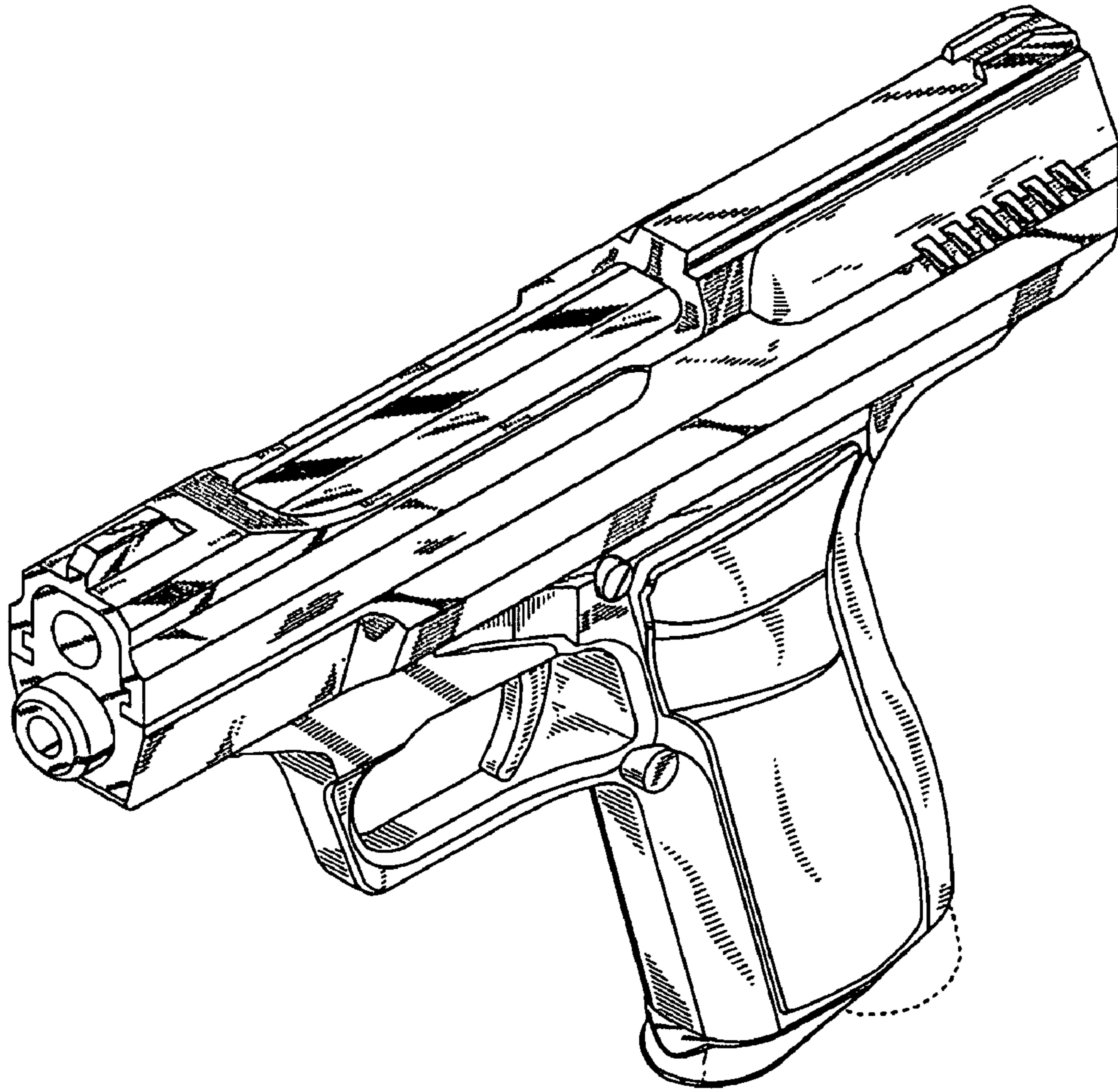


FIG. 1

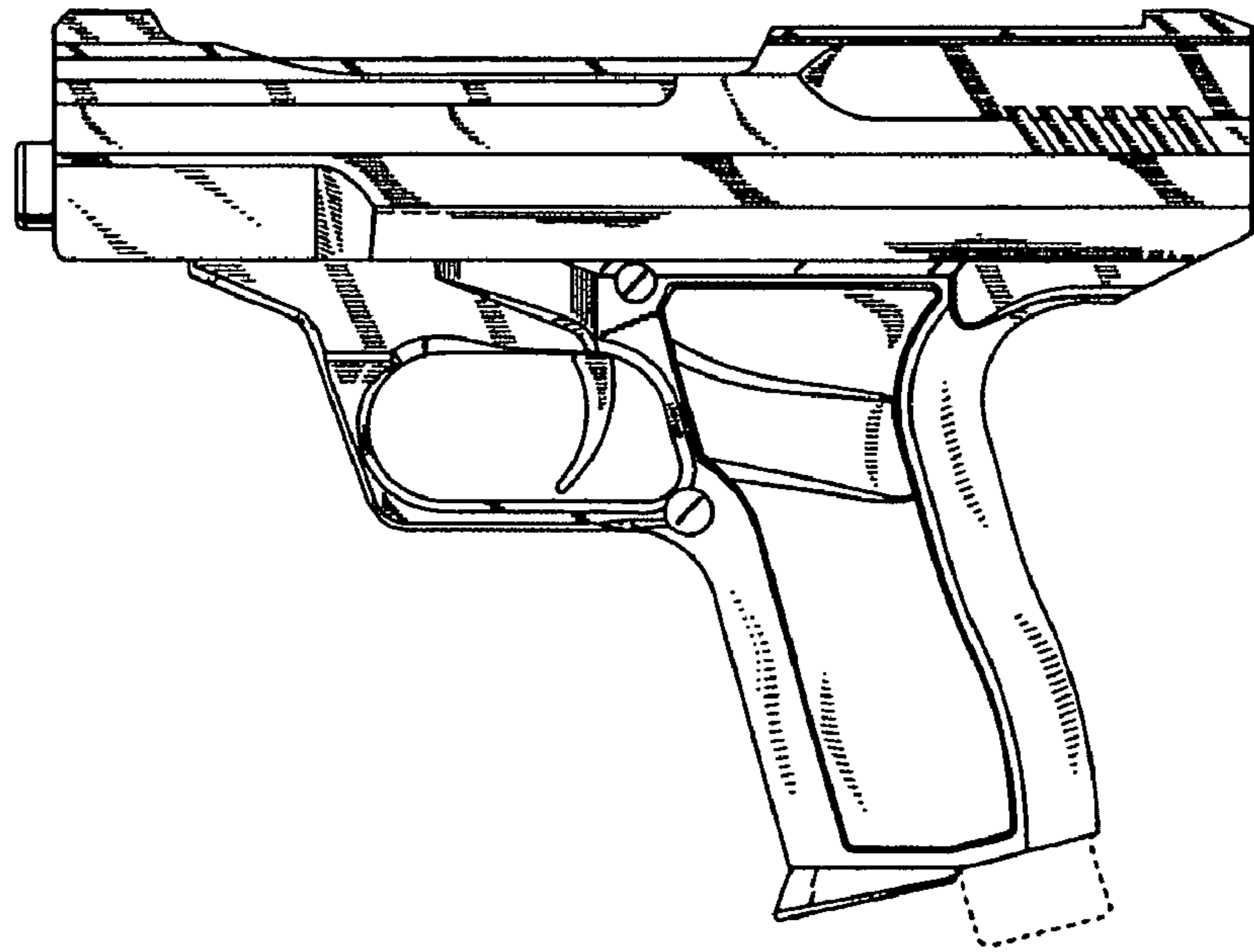


FIG. 2

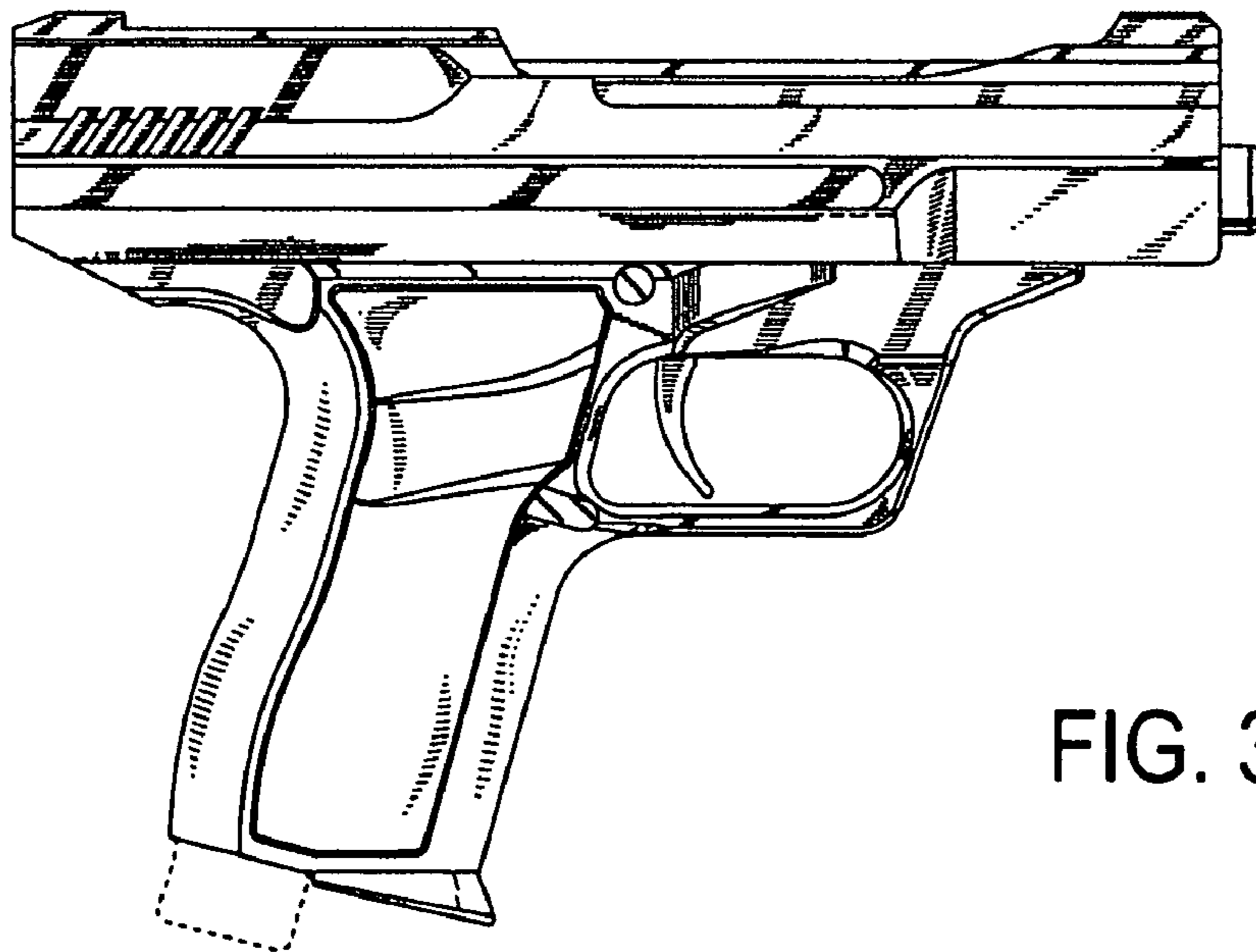


FIG. 3

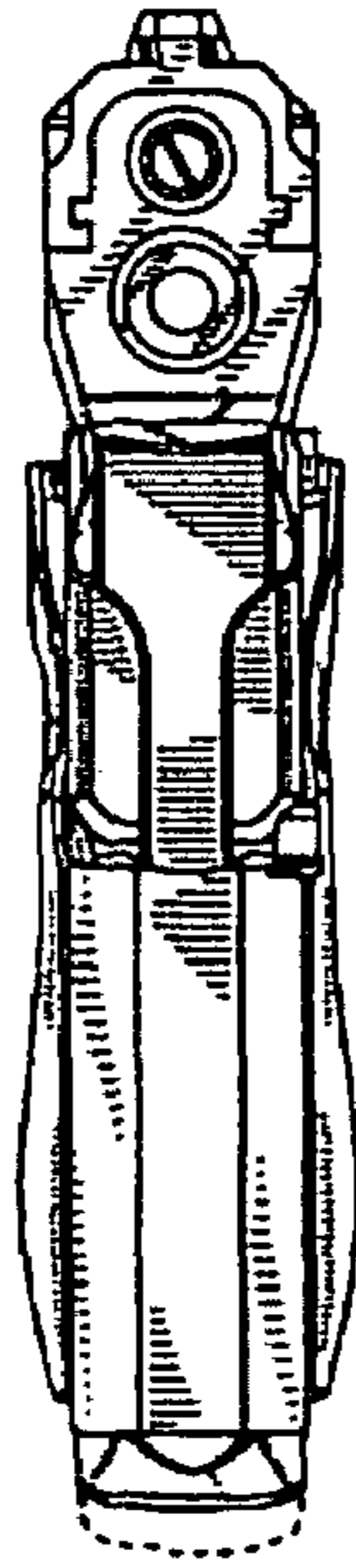


FIG. 4

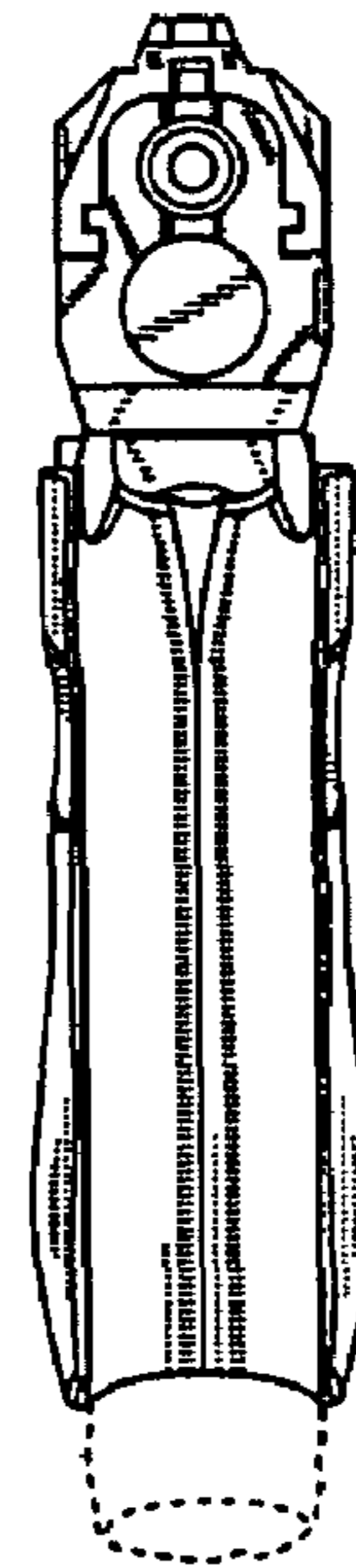


FIG. 5

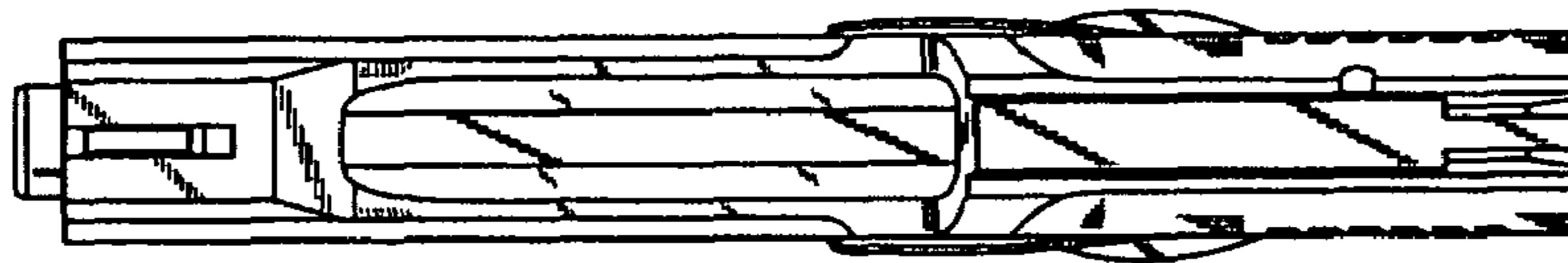


FIG. 6

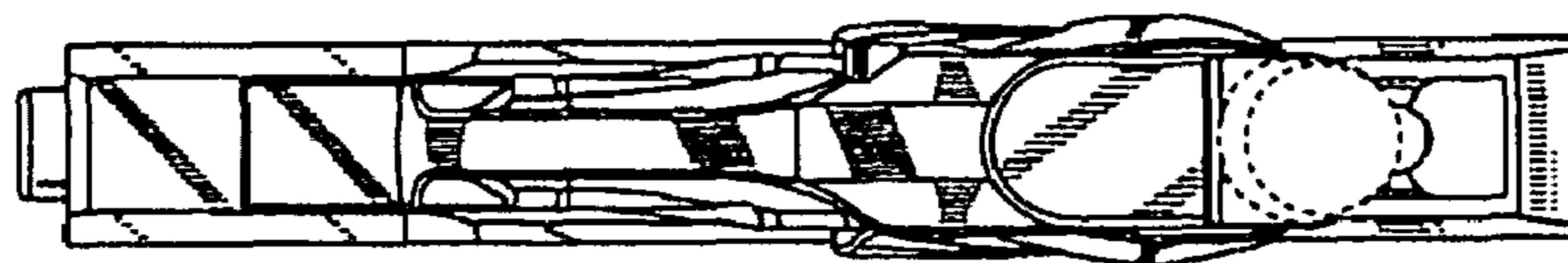


FIG. 7