



US00D593621S

(12) **United States Design Patent**
Halmone

(10) **Patent No.:** **US D593,621 S**
(45) **Date of Patent:** **** Jun. 2, 2009**

(54) **PAINTBALL GUN**

(75) Inventor: **Fabrice N. V. Halmone**, Ville la Grand (FR)

(73) Assignee: **Kingman International Corporation**, Baldwin Park, CA (US)

(**) Term: **14 Years**

(21) Appl. No.: **29/330,113**

(22) Filed: **Dec. 29, 2008**

(51) **LOC (9) Cl.** **21-01**

(52) **U.S. Cl.** **D21/573**

(58) **Field of Classification Search** D21/567,
D21/570-575; D22/100, 101, 103, 104,
D22/108, 109; 124/41.1, 45, 49, 50, 51.1,
124/55, 56, 69, 70-79, 80; 42/54; 446/401,
446/405, 406

See application file for complete search history.

(56) **References Cited**

U.S. PATENT DOCUMENTS

- D536,043 S * 1/2007 Tippmann et al. D21/573
- D557,755 S * 12/2007 Greenman D21/573
- D583,423 S * 12/2008 Kaakkola et al. D21/570

2003/0024519 A1* 2/2003 Chen 124/72

* cited by examiner

Primary Examiner—Holly H Baynham

Assistant Examiner—Cynthia M Chin

(74) *Attorney, Agent, or Firm*—Blakely, Sokoloff, Taylor & Zafman LLP

(57) **CLAIM**

The ornamental design for a paintball gun, as shown and described.

DESCRIPTION

FIG. 1 is a perspective view of a paintball gun of the invention.

FIG. 2 is a left side view of the paintball gun of FIG. 1.

FIG. 3 is a right side view of the paintball gun of FIG. 1.

FIG. 4 is a rear view of the paintball gun of FIG. 1.

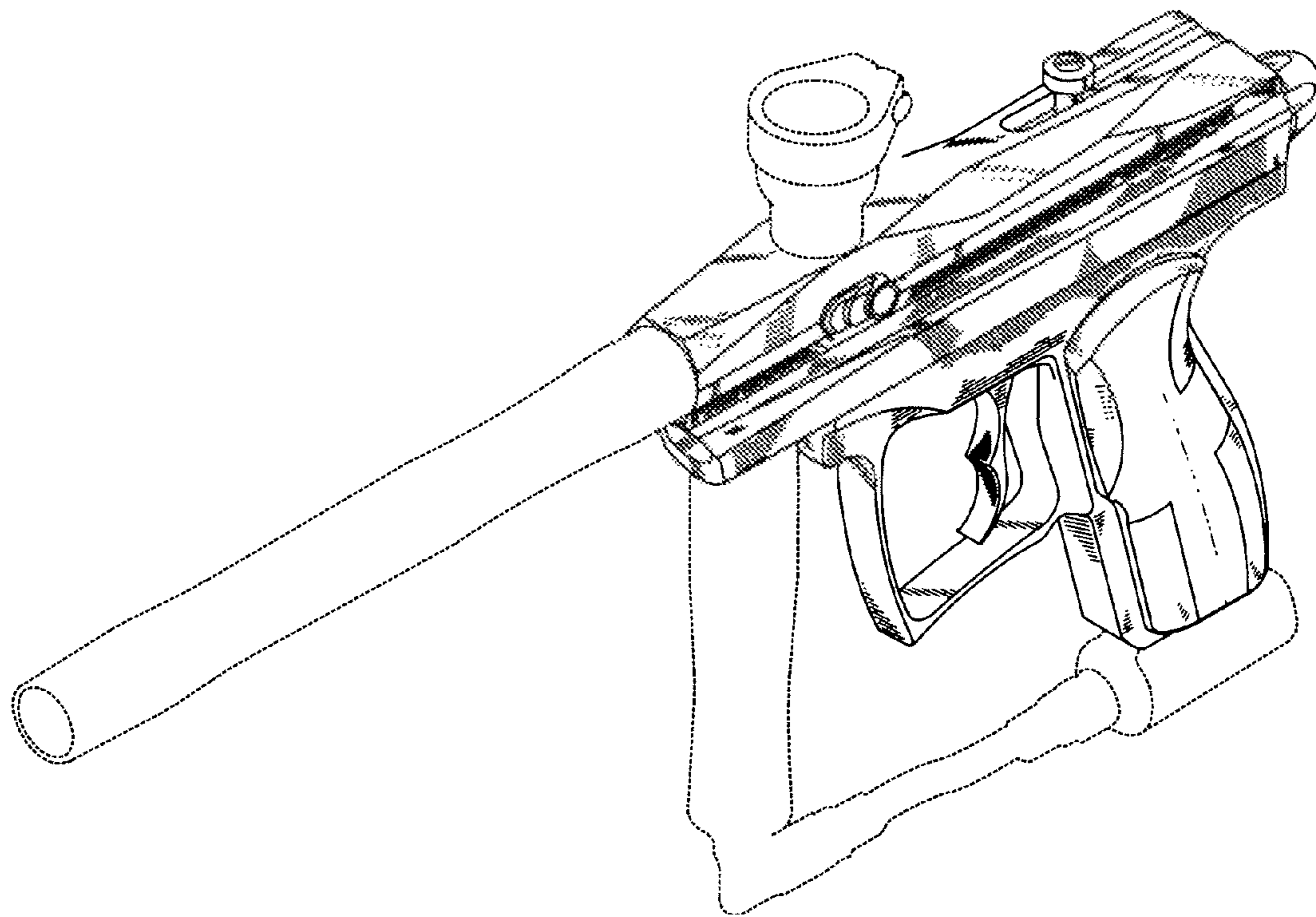
FIG. 5 is a front view of the paintball gun of FIG. 1.

FIG. 6 is a top view of the paintball gun of FIG. 1; and,

FIG. 7 is a bottom view of the paintball gun of FIG. 1.

The broken lines in the figures are for environmental purpose only and form no part of the claimed design.

1 Claim, 3 Drawing Sheets



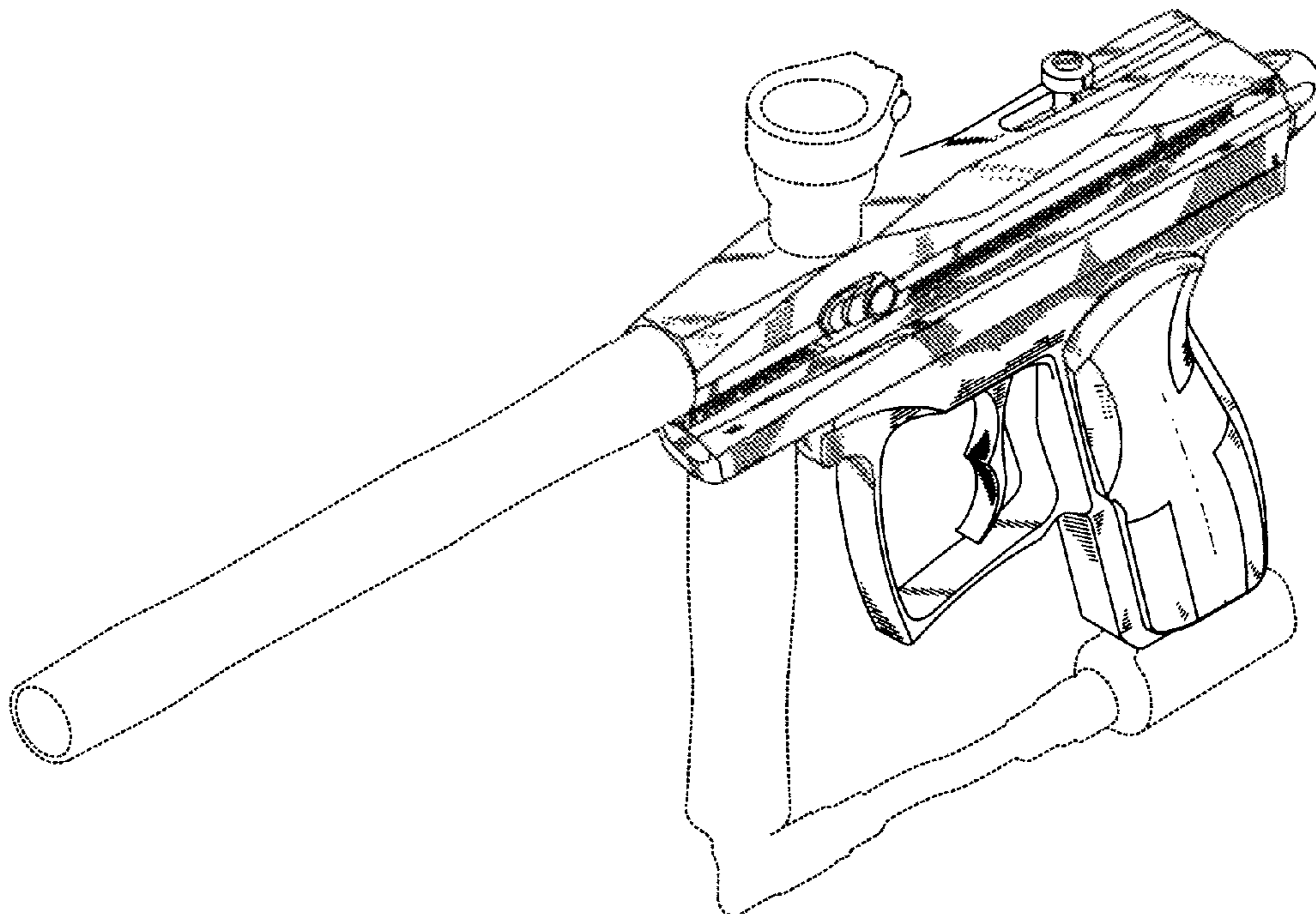


FIG. 1

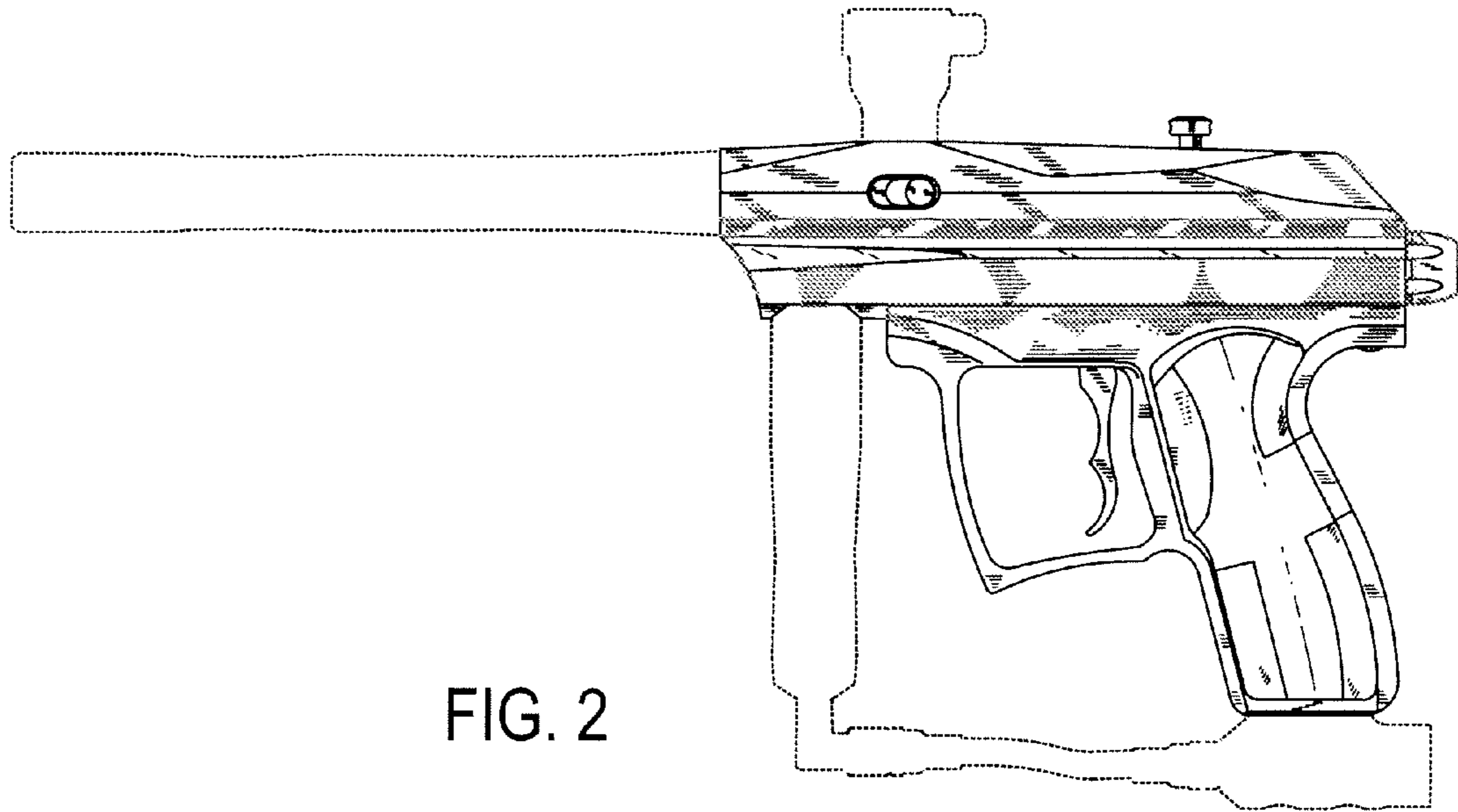


FIG. 2

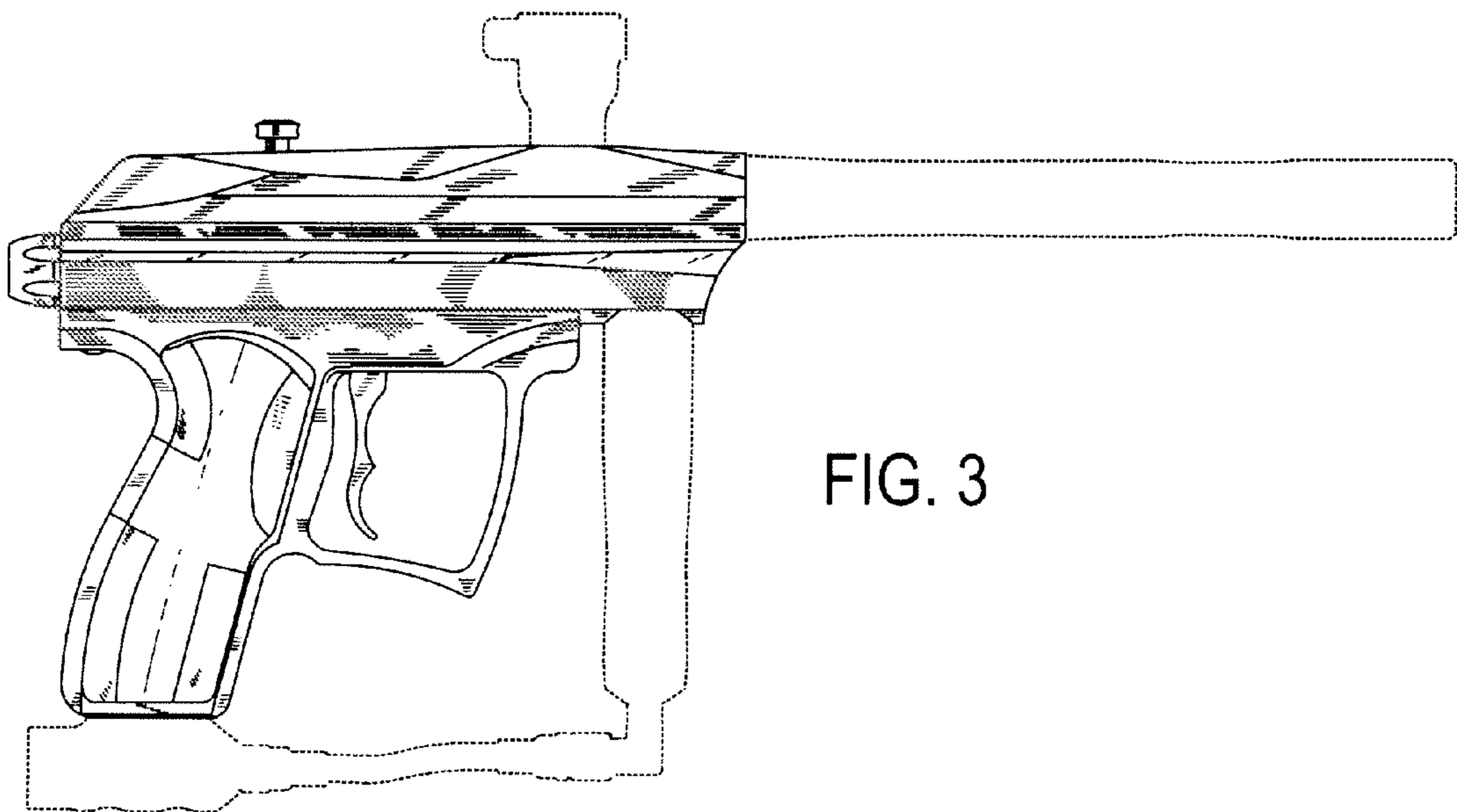


FIG. 3

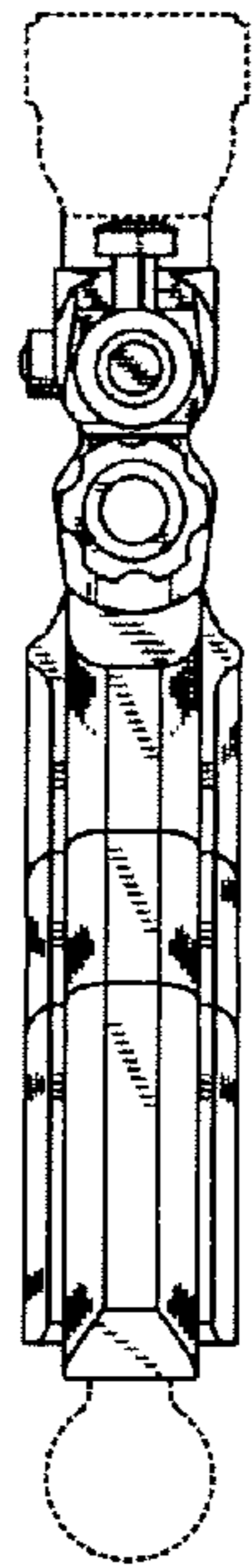


FIG. 4

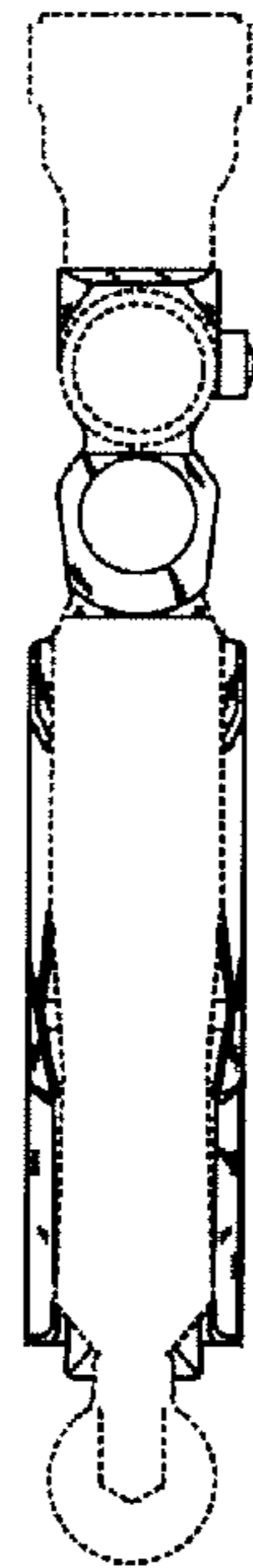


FIG. 5

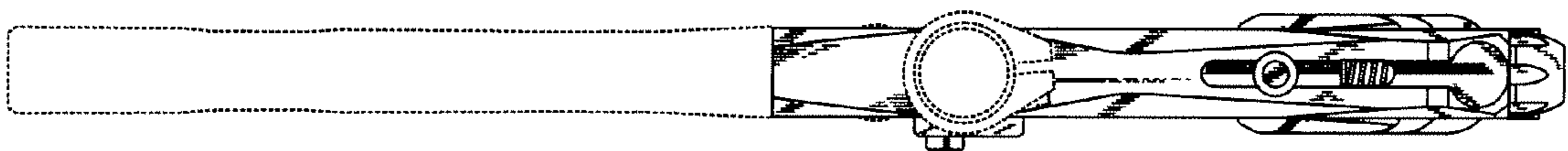


FIG. 6

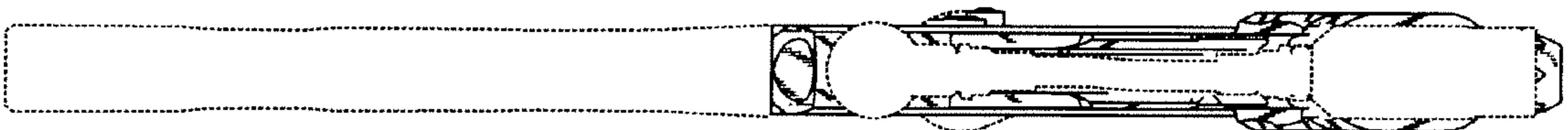


FIG. 7