



US00D593618S

(12) **United States Design Patent**  
**Halmone**

(10) **Patent No.:** **US D593,618 S**  
(45) **Date of Patent:** **\*\* Jun. 2, 2009**

(54) **PAINTBALL GUN**

(75) Inventor: **Fabrice N. V. Halmone**, Ville la Grand (FR)

(73) Assignee: **Kingman International Corporation**, Baldwin Park, CA (US)

(\*\*) Term: **14 Years**

(21) Appl. No.: **29/328,521**

(22) Filed: **Nov. 25, 2008**

(51) **LOC (9) Cl.** ..... **21-01**

(52) **U.S. Cl.** ..... **D21/573**

(58) **Field of Classification Search** ..... D21/567,  
D21/570-575; D22/100, 101, 103, 104,  
D22/108, 109; 124/41.1, 45, 49, 50, 51.1,  
124/55, 56, 69, 70-79, 80; 42/54; 446/401,  
446/405, 406

See application file for complete search history.

(56) **References Cited**

**U.S. PATENT DOCUMENTS**

6,408,836 B1 \* 6/2002 Ming-Hsien ..... 124/49  
D513,773 S \* 1/2006 Orr ..... D21/573  
D515,149 S \* 2/2006 Orr ..... D21/573  
D539,361 S \* 3/2007 Orr ..... D21/573  
D541,884 S \* 5/2007 Orr ..... D21/573

D559,335 S \* 1/2008 Orr ..... D21/573  
D559,336 S \* 1/2008 Kaakkola et al. .... D21/573  
D585,097 S \* 1/2009 Dochterman et al. .... D21/573  
2007/0215134 A1 \* 9/2007 DeHaan et al. .... 124/77

\* cited by examiner

*Primary Examiner*—Holly H Baynham

*Assistant Examiner*—Cynthia M Chin

(74) *Attorney, Agent, or Firm*—Blakely, Sokoloff, Taylor & Zafman LLP

(57) **CLAIM**

The ornamental design for a paintball gun, as shown and described.

**DESCRIPTION**

FIG. 1 is a perspective view of a paintball gun of the invention.

FIG. 2 is a left side view of the paintball gun of FIG. 1, the right side view being a mirror image thereof;

FIG. 3 is a top view of the paintball gun of FIG. 1.

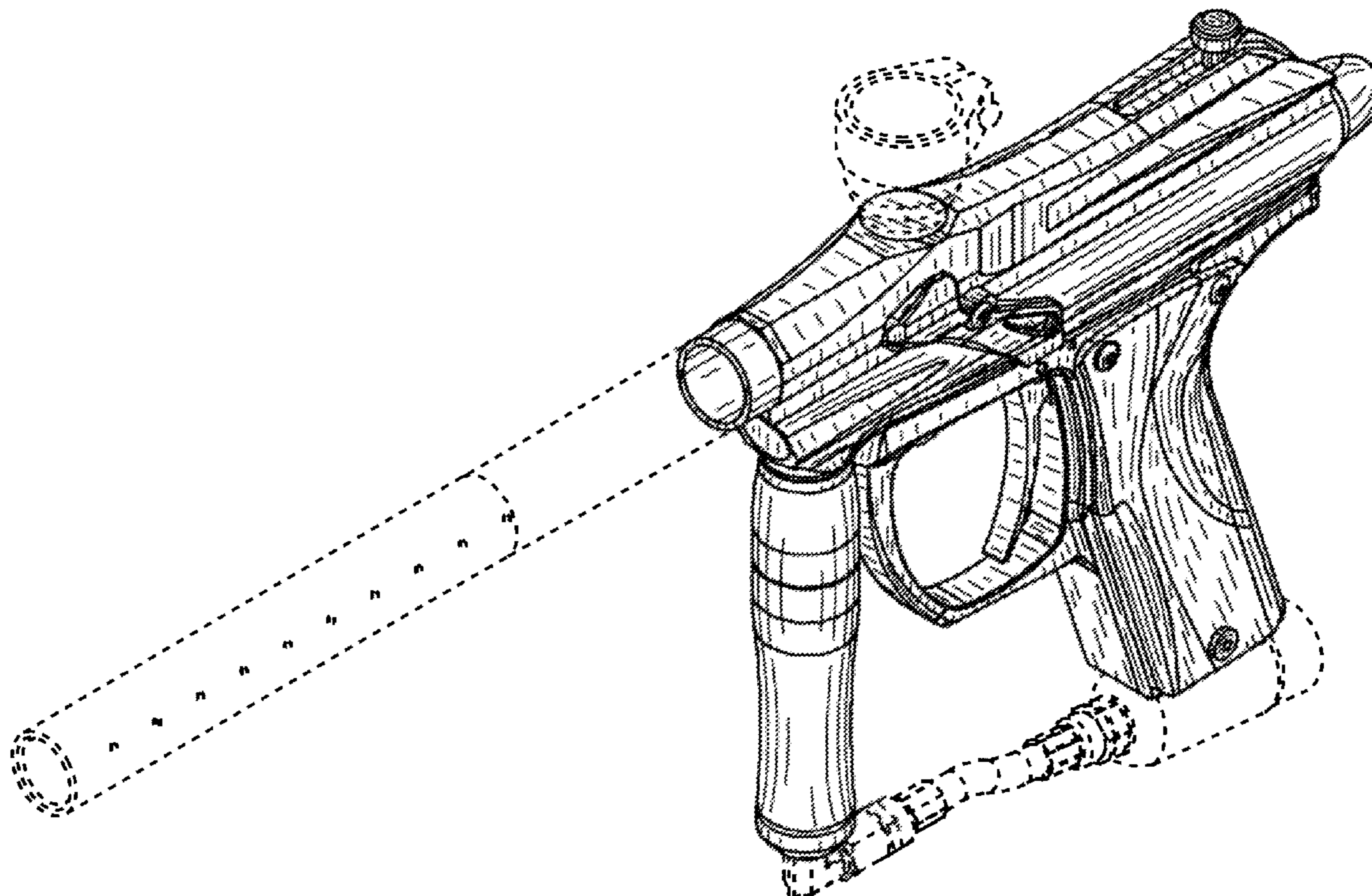
FIG. 4 is a bottom view of the paintball gun of FIG. 1.

FIG. 5 is a front view of the paintball gun of FIG. 1; and,

FIG. 6 is a rear view of the paintball gun of FIG. 1.

The broken lines in the figures are for environmental purpose only and form no part of the claimed design.

**1 Claim, 6 Drawing Sheets**



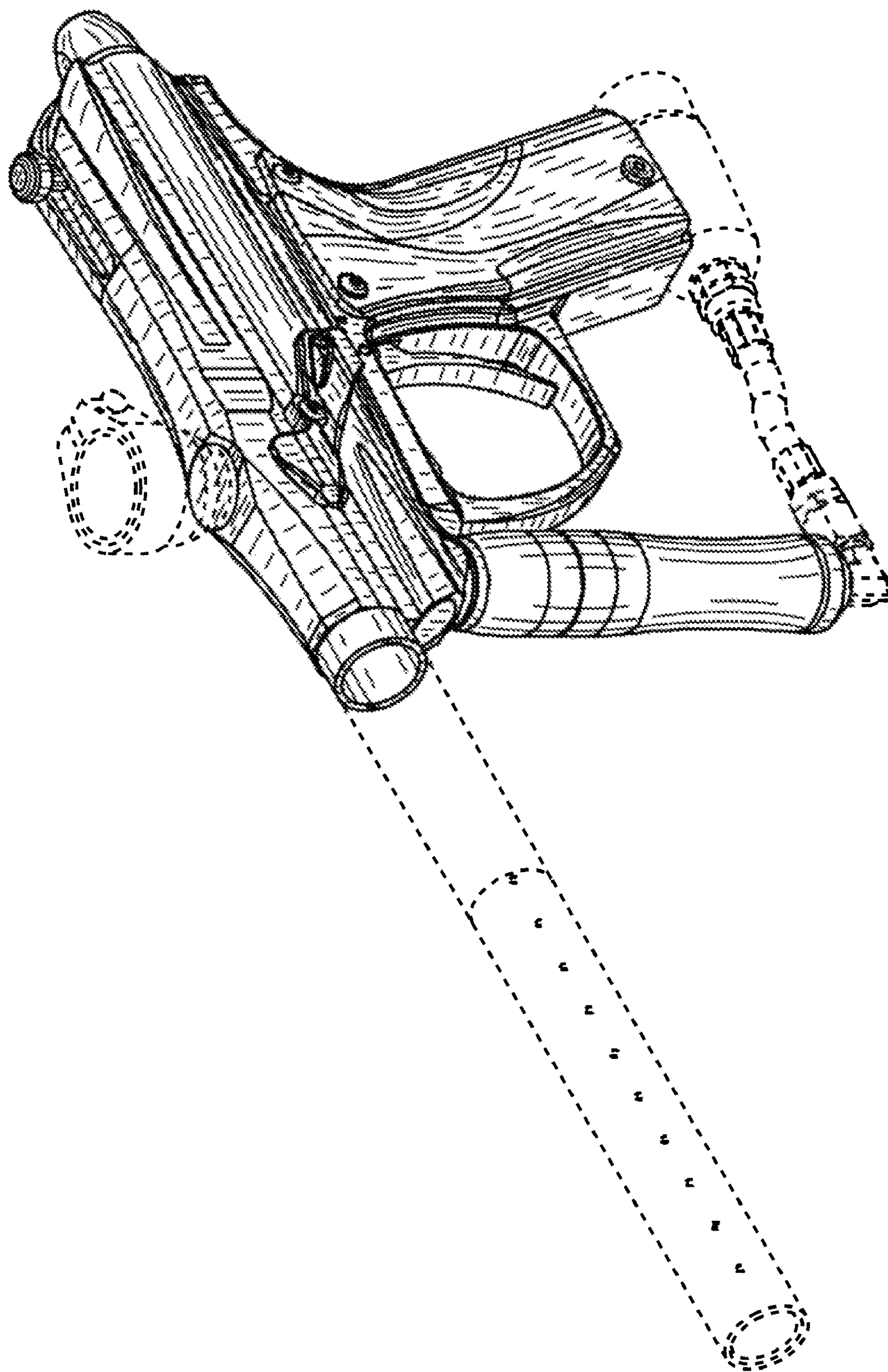


FIG. 1



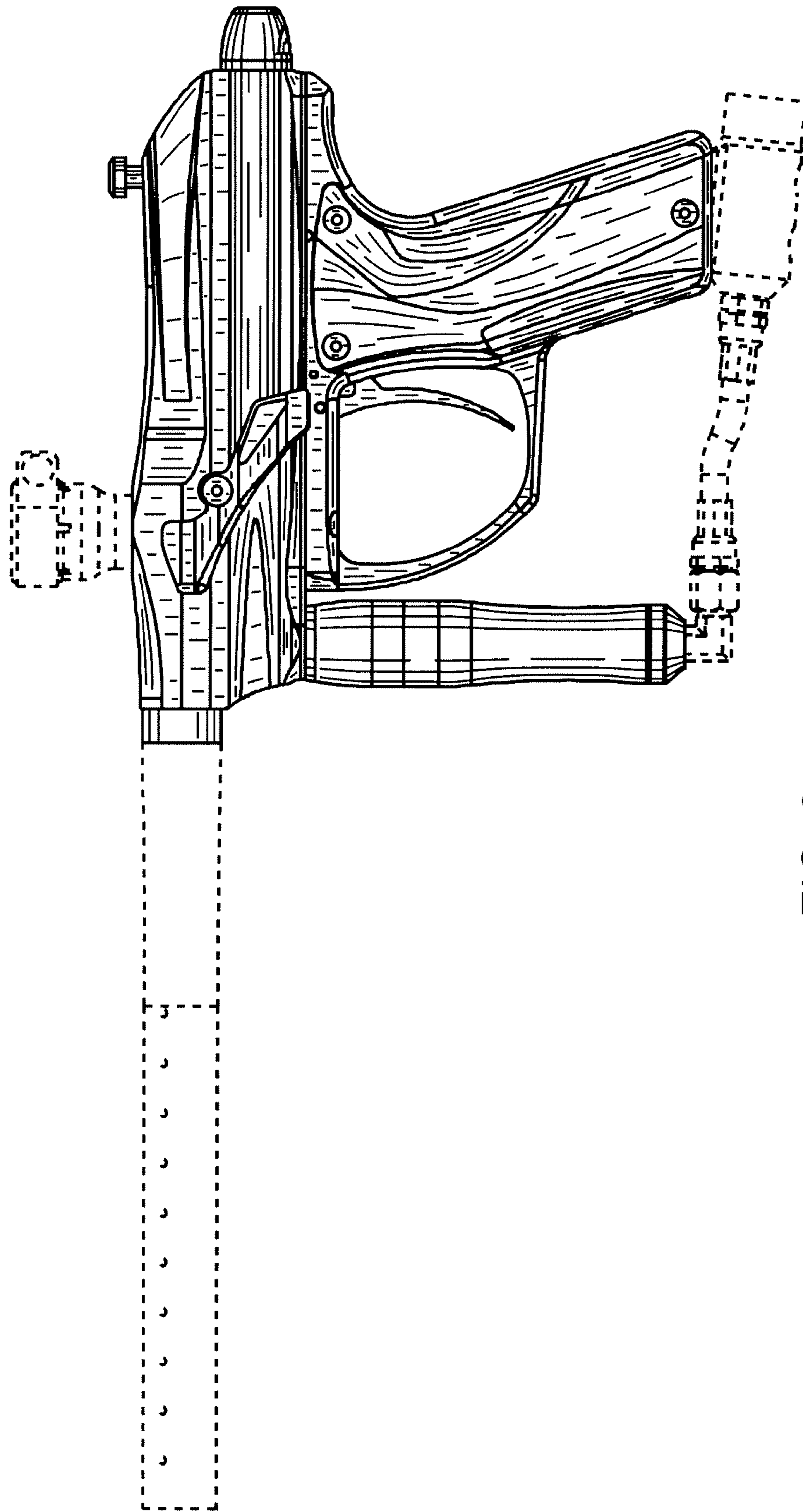


FIG. 2

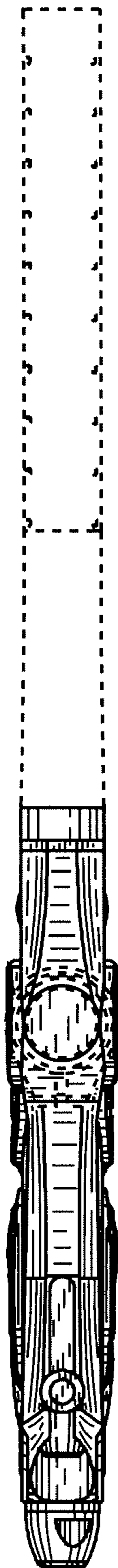


FIG. 3

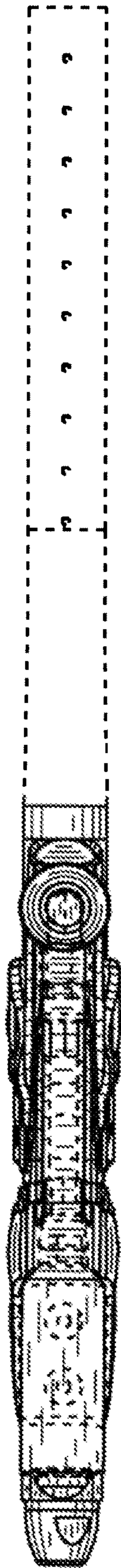


FIG. 4

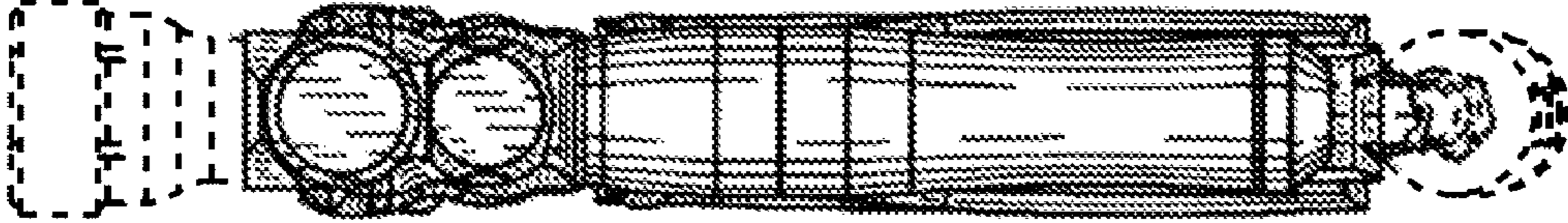


FIG. 5

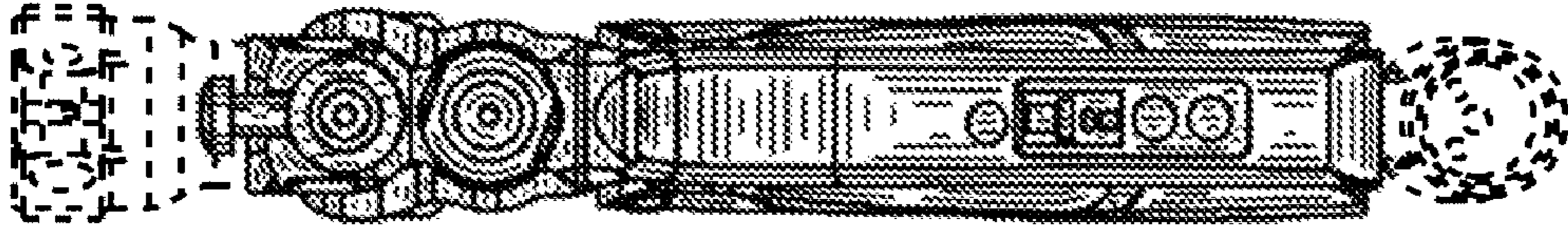


FIG. 6