



US00D593617S

(12) **United States Design Patent**
Dochterman

(10) **Patent No.:** **US D593,617 S**
(45) **Date of Patent:** **** Jun. 2, 2009**

(54) **TRIGGER CARTRIDGE**

(75) Inventor: **Rick Dochterman**, Bella Vista, AR (US)

(73) Assignee: **JT Sports, LLC**, Bentonville, Arkansas, AR (US)

(**) Term: **14 Years**

(21) Appl. No.: **29/289,589**

(22) Filed: **Jul. 25, 2007**

(51) **LOC (9) Cl.** **21-01**

(52) **U.S. Cl.** **D21/573**

(58) **Field of Classification Search** D22/108,
D22/100, 109, 103–104, 101, 105; 42/2,
42/7, 50, 69.01, 69.02, 69.03, 70.06, 70.11,
42/71.02, 42.01, 42.02, 42.03, 70.04, 71.05;
89/1.42, 136, 147, 150; 124/31, 77; D21/573–574
See application file for complete search history.

(56) **References Cited**

U.S. PATENT DOCUMENTS

| | | | | | |
|--------------|------|---------|----------------|-------|----------|
| 4,667,429 | A * | 5/1987 | Perazzi | | 42/69.01 |
| D364,207 | S * | 11/1995 | Tuomey | | D22/108 |
| 5,752,338 | A * | 5/1998 | Lameiras Guede | | 42/70.06 |
| D399,914 | S * | 10/1998 | Walker | | D21/572 |
| 6,018,900 | A * | 2/2000 | Guede | | 42/70.06 |
| 6,655,066 | B2 * | 12/2003 | Fluhr | | 42/70.02 |
| 6,772,548 | B1 * | 8/2004 | Power | | 42/69.03 |
| D504,168 | S * | 4/2005 | McCormick | | D22/108 |
| 2007/0051236 | A1 * | 3/2007 | Groves et al. | | 89/142 |

2008/0010889 A1 * 1/2008 Metzger et al. 42/69.01
2008/0060245 A1 * 3/2008 McCormick 42/69.01

* cited by examiner

Primary Examiner—Ian Simmons

Assistant Examiner—Wan Laymon

(74) *Attorney, Agent, or Firm*—Keisling Pieper & Scott PLC;
David B. Pieper; Trent C. Keisling

(57) **CLAIM**

The ornamental design for a trigger cartridge, as shown and described.

DESCRIPTION

FIG. 1 is a perspective view of a trigger cartridge showing my new design;

FIG. 2 is a top plan view thereof; the broken lines in FIG. 2 are included for the purpose of illustrating a portion of the trigger cartridge that form no part of the claimed design;

FIG. 3 is a back elevational view thereof;

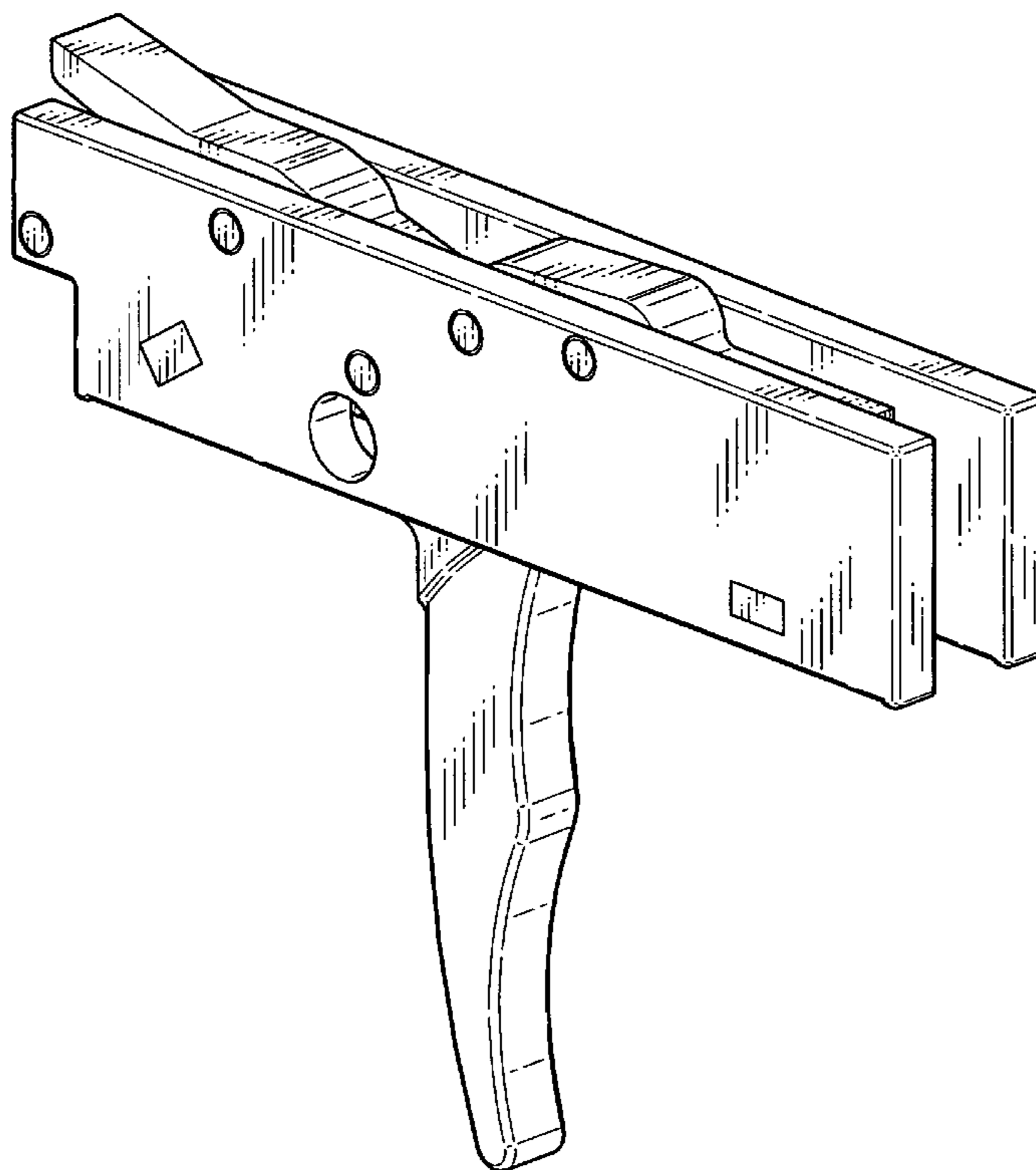
FIG. 4 is a right side elevational view thereof;

FIG. 5 is a front elevational view thereof; the broken lines in FIG. 5 are included for the purpose of illustrating a portion of the trigger cartridge that form no part of the claimed design;

FIG. 6 is a left side elevational view thereof; and,

FIG. 7 is a bottom plan view thereof; the broken lines in FIG. 7 are included for the purpose of illustrating a portion of the trigger cartridge that form no part of the claimed design.

1 Claim, 7 Drawing Sheets



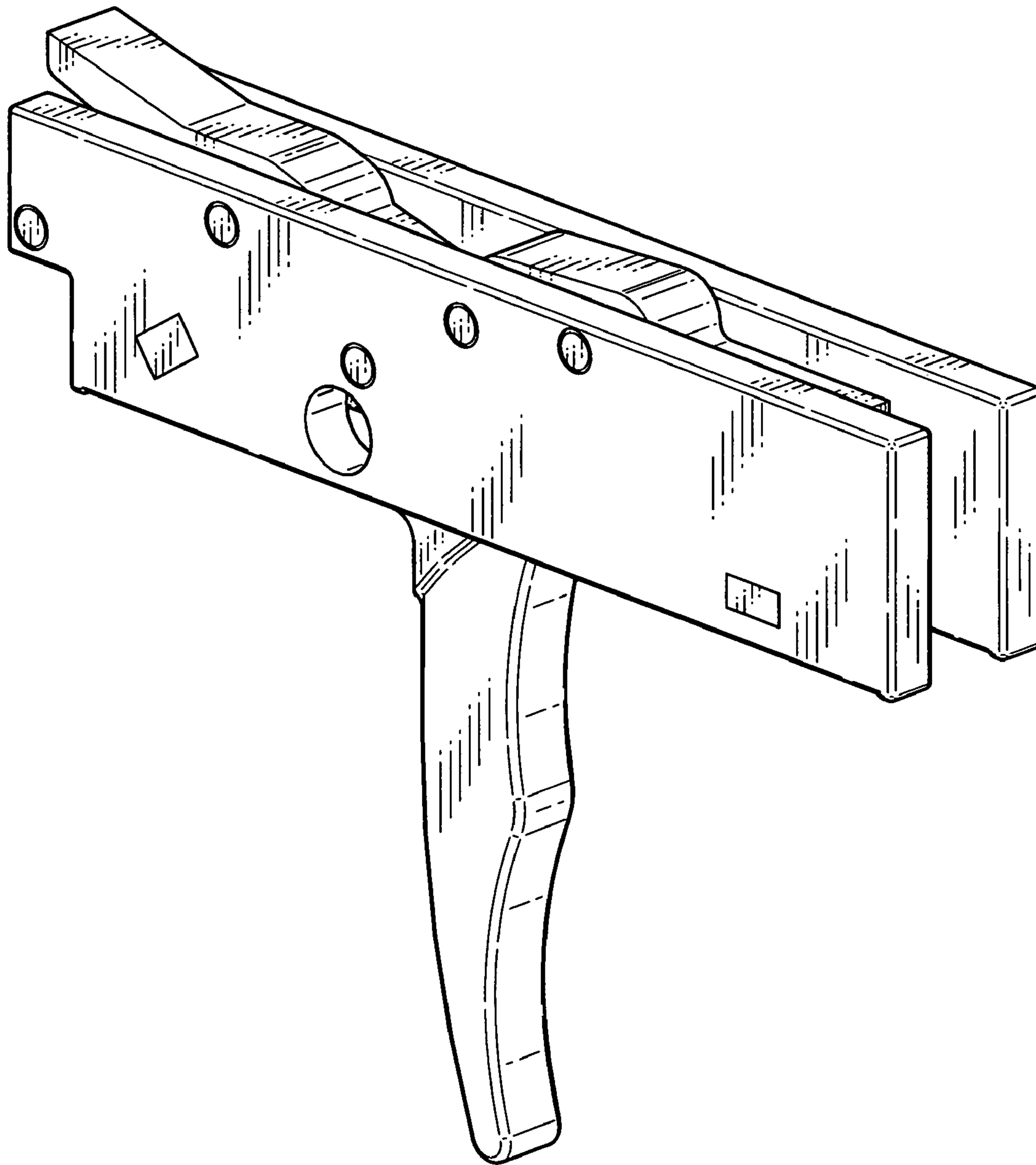


FIG. 1

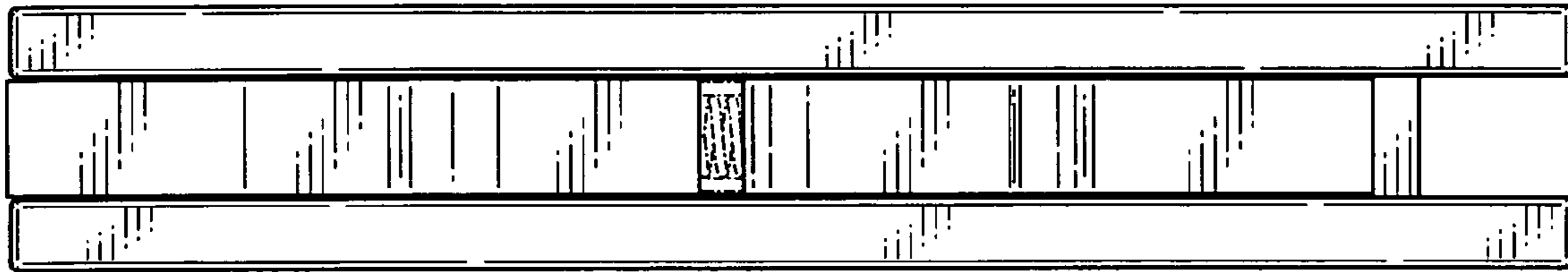


FIG. 2

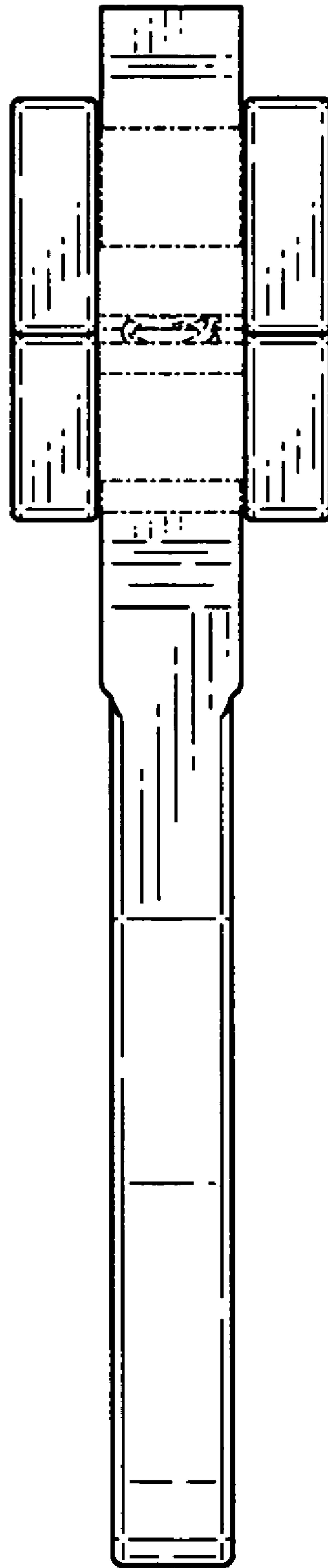


FIG. 3

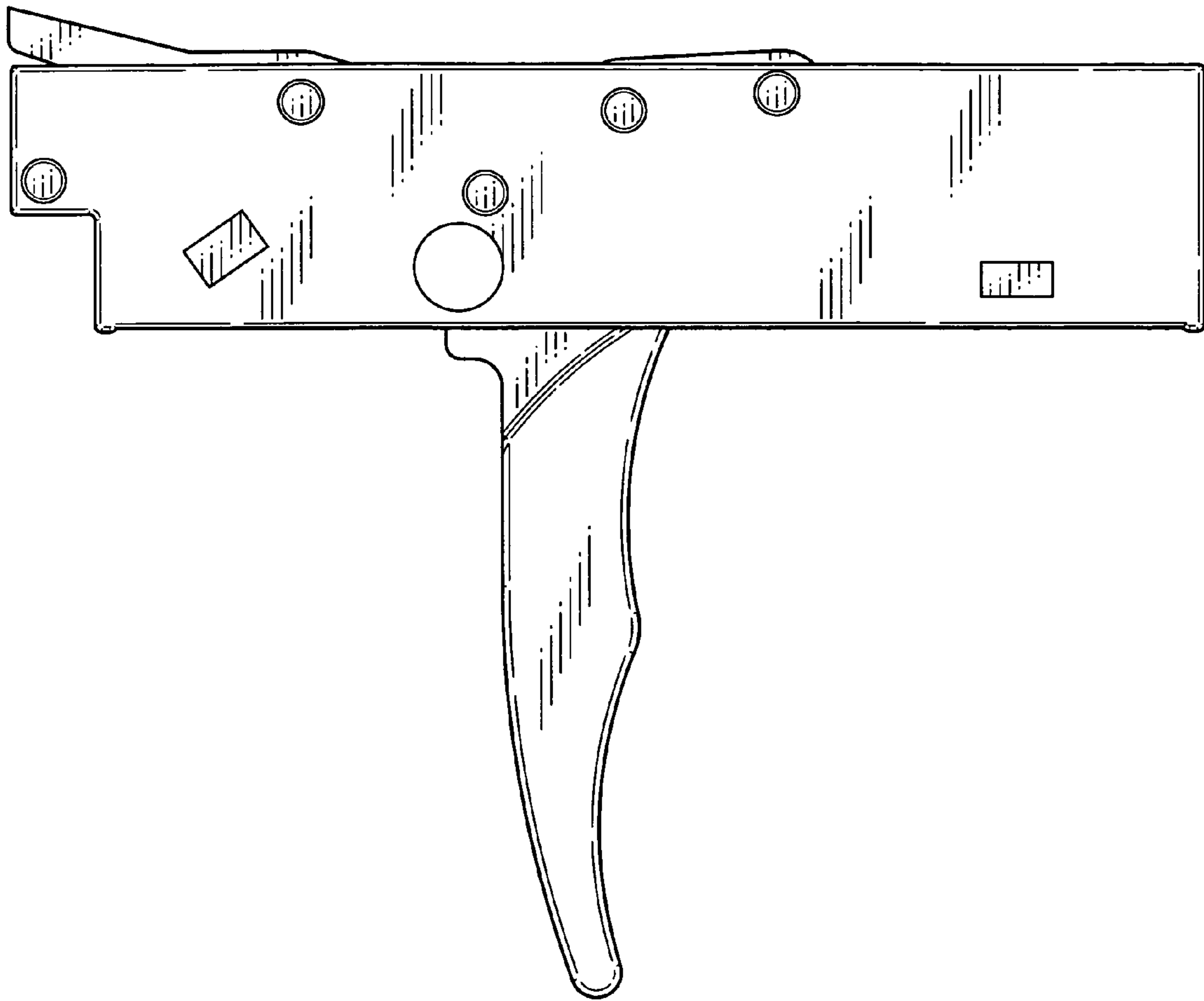


FIG. 4

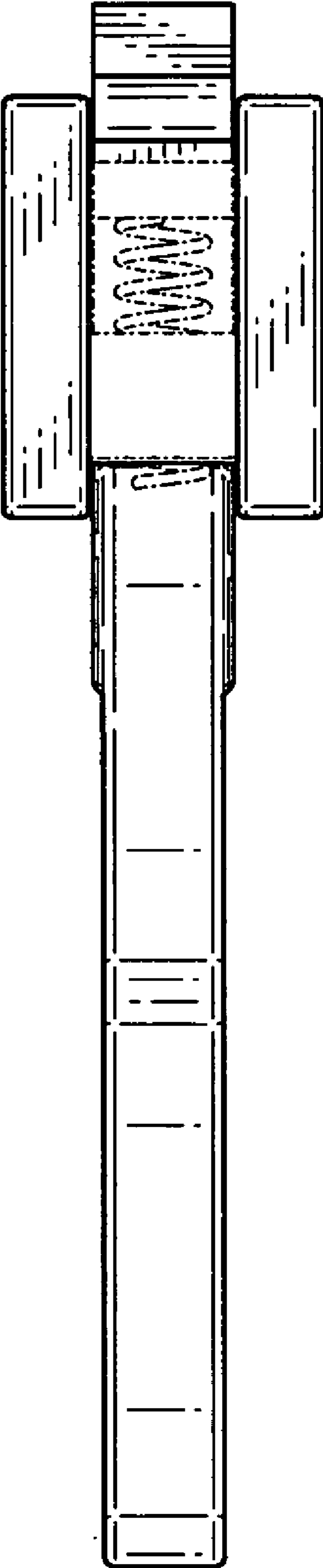


FIG. 5

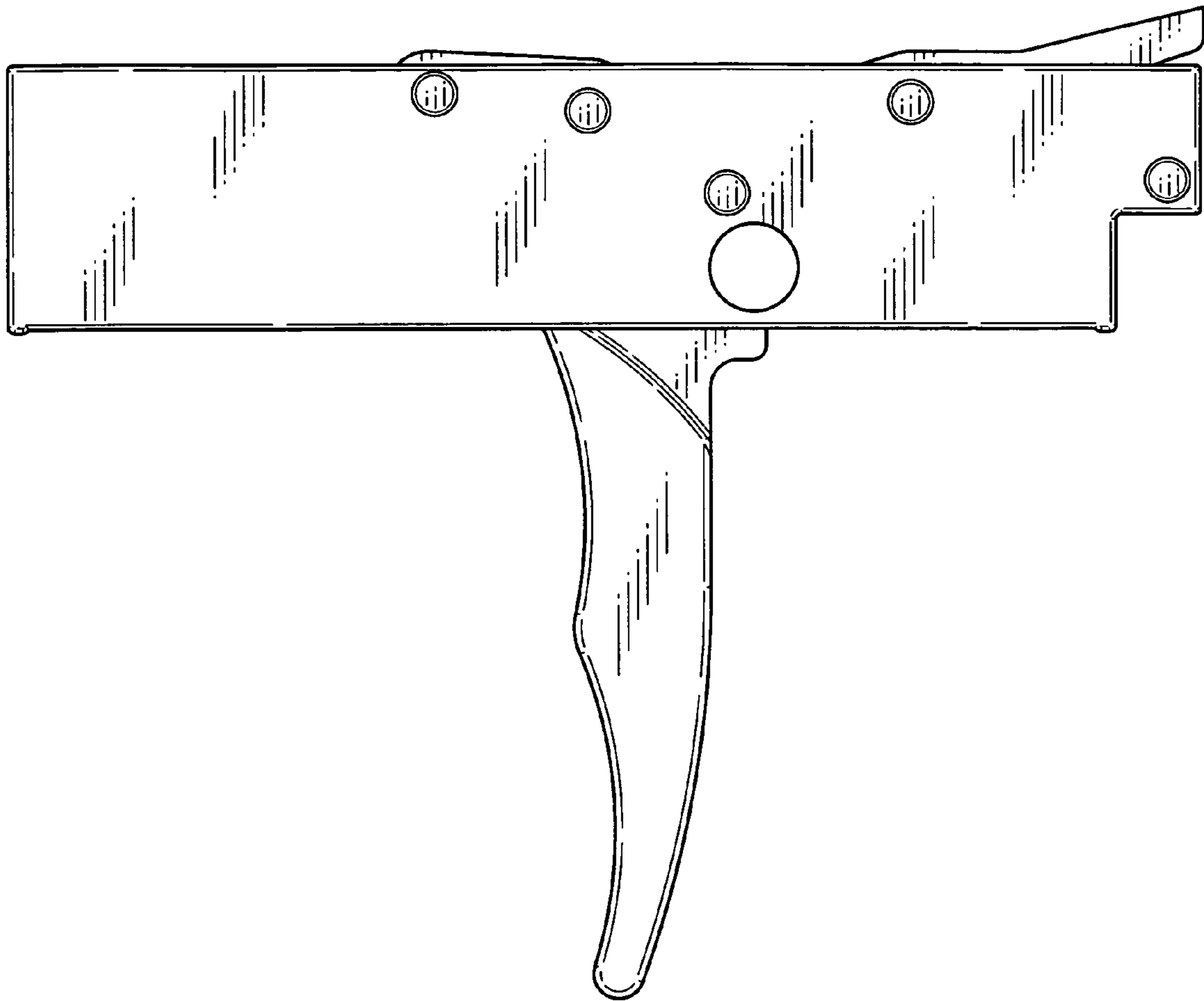


FIG. 6

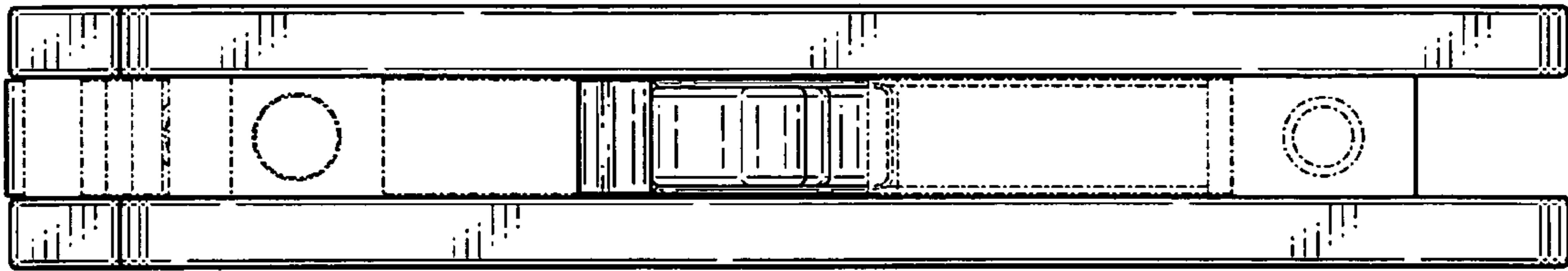


FIG. 7