

US00D593616S

(12) **United States Design Patent**
Asai

(10) **Patent No.:** **US D593,616 S**
(45) **Date of Patent:** **** Jun. 2, 2009**

(54) **RADIO CONTROLLED TOY VEHICLE CHASSIS**

(75) Inventor: **Shinichi Asai, Atsugi (JP)**

(73) Assignee: **Kyosho Corporation, Tokyo (JP)**

(**) Term: **14 Years**

(21) Appl. No.: **29/322,115**

(22) Filed: **Jul. 29, 2008**

(30) **Foreign Application Priority Data**

Jan. 31, 2008 (JP) 2008-001972

(51) **LOC (9) Cl.** **21-01**

(52) **U.S. Cl.** **D21/562**

(58) **Field of Classification Search** D21/548-551,
D21/561-563; 446/427, 454-457, 465-470,
446/431, 433, 437, 444-447; 29/273; D12/86,
D12/88, 93, 159; 463/6, 39; 180/65.1, 65.2,
180/65.3

See application file for complete search history.

(56) **References Cited**

U.S. PATENT DOCUMENTS

D309,930 S * 8/1990 Asaeda D21/548
5,019,009 A * 5/1991 Chao-Chin et al. 446/437
D332,978 S * 2/1993 Tsuchiya D21/562
D332,979 S * 2/1993 Tsuchiya D21/562
D403,023 S * 12/1998 Araki D21/562
6,582,275 B1 * 6/2003 Lai 446/465

6,840,839 B2 * 1/2005 Rehkemper et al. 446/454
D521,572 S * 5/2006 Yuen D21/562
D524,880 S * 7/2006 Yuen D21/562
D532,835 S * 11/2006 Suimon et al. D21/562
D577,083 S * 9/2008 Nakayama D21/562
2002/0160688 A1 * 10/2002 Rehkemper et al. 446/454
2006/0292966 A1 * 12/2006 Byers et al. 446/431

* cited by examiner

Primary Examiner—Holly H Baynham

Assistant Examiner—Cynthia M Chin

(74) *Attorney, Agent, or Firm*—Nixon & Vanderhye PC

(57) **CLAIM**

The ornamental design for a “radio controlled toy vehicle chassis,” as shown and described.

DESCRIPTION

FIG. 1 is a top perspective view of a radio controlled toy vehicle chassis which embodies my new and original design therefor;

FIG. 2 is a front elevation view thereof;

FIG. 3 is a rear elevation view thereof;

FIG. 4 is a top plan view of thereof;

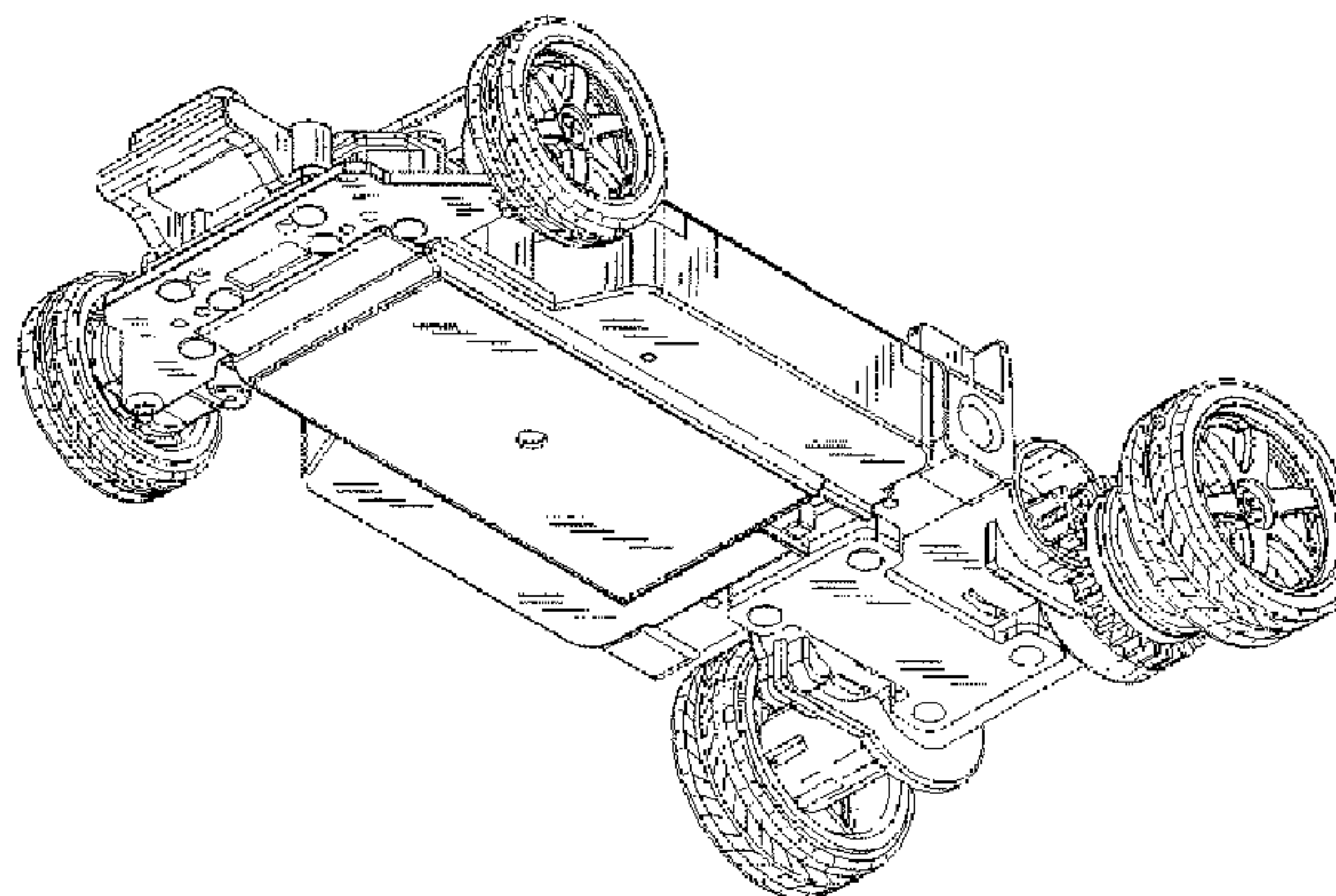
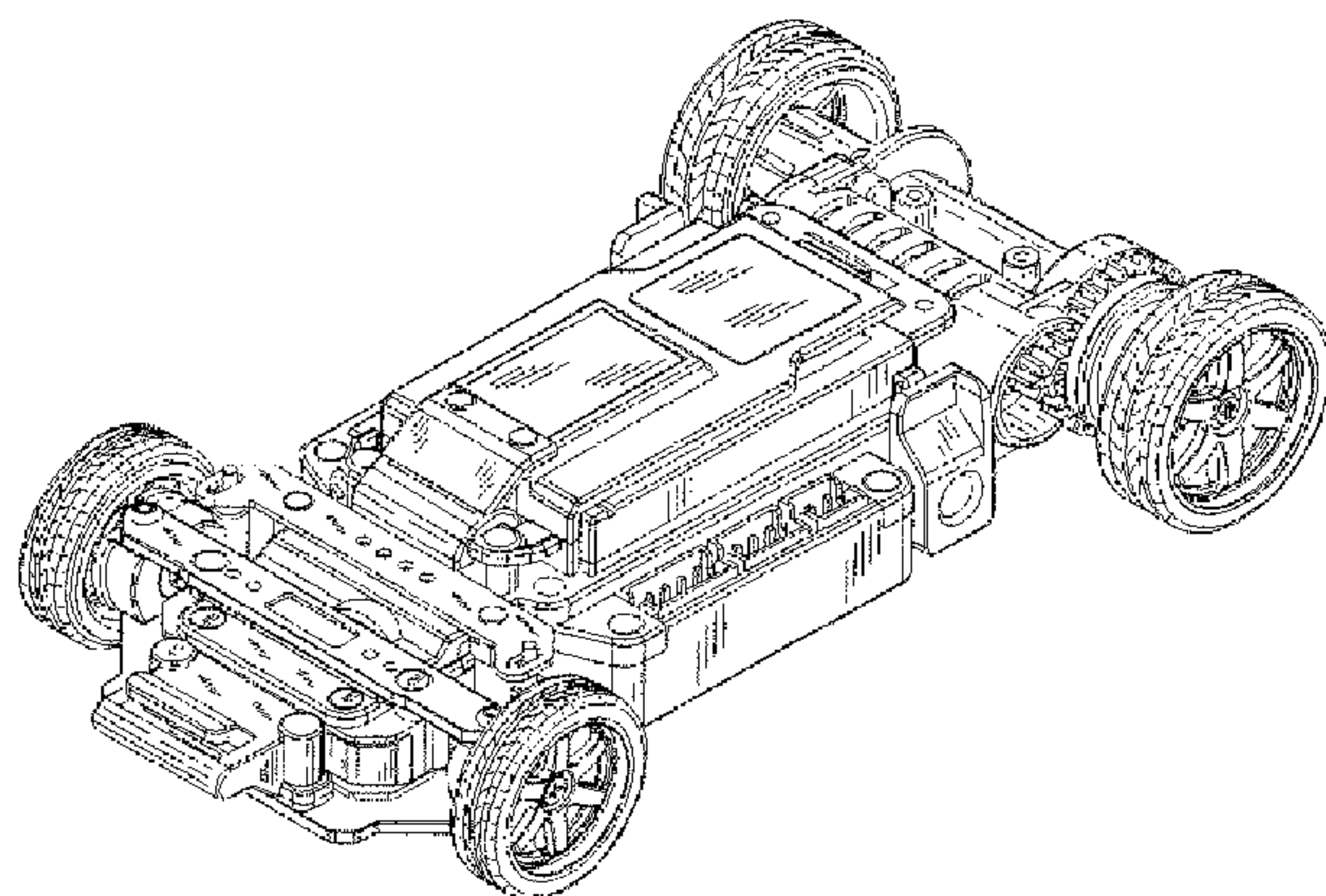
FIG. 5 is bottom plan view thereof;

FIG. 6 is a left side elevation view thereof;

FIG. 7 is a right elevation view thereof; and,

FIG. 8 is a bottom perspective view thereof.

1 Claim, 6 Drawing Sheets



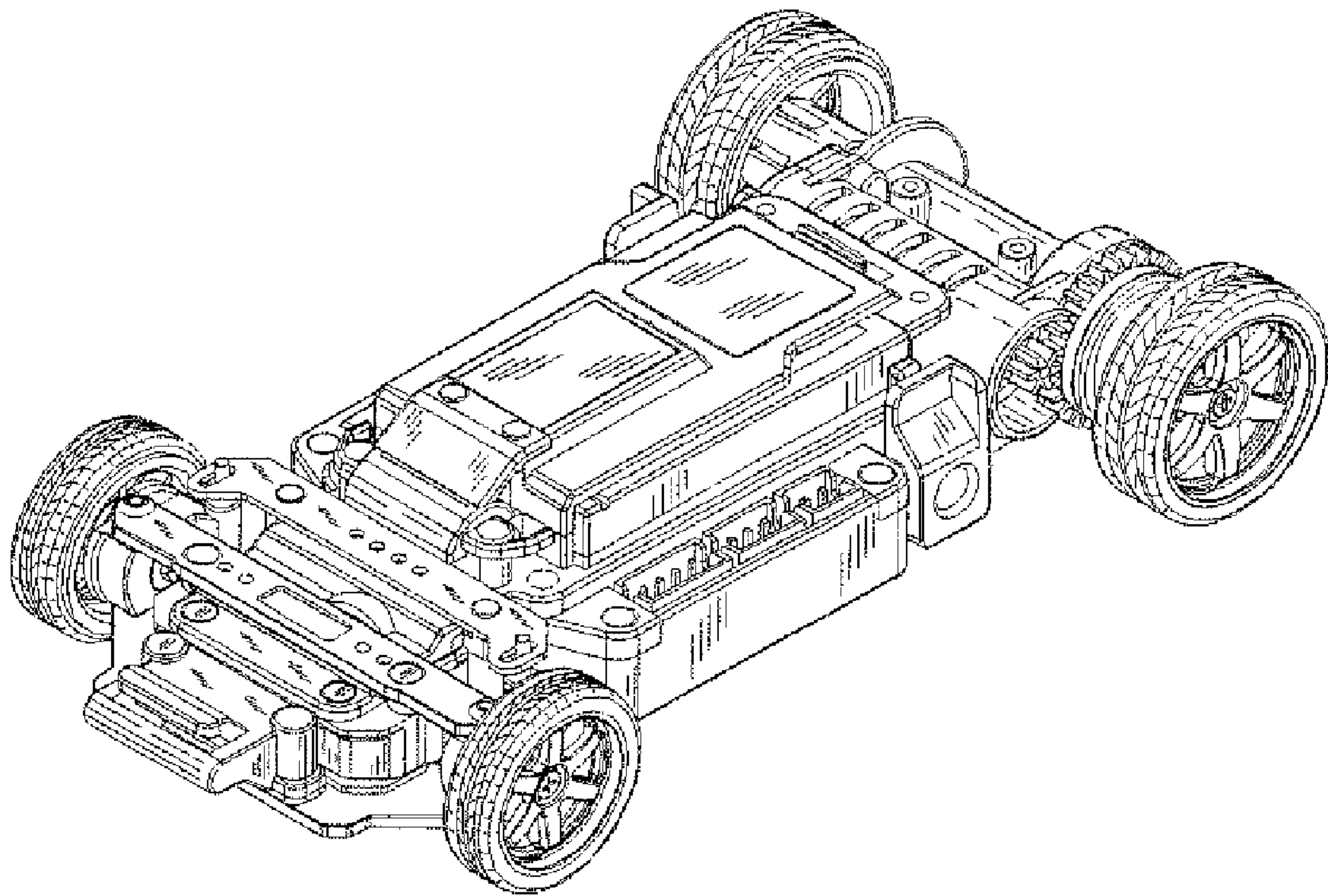


Fig. 1

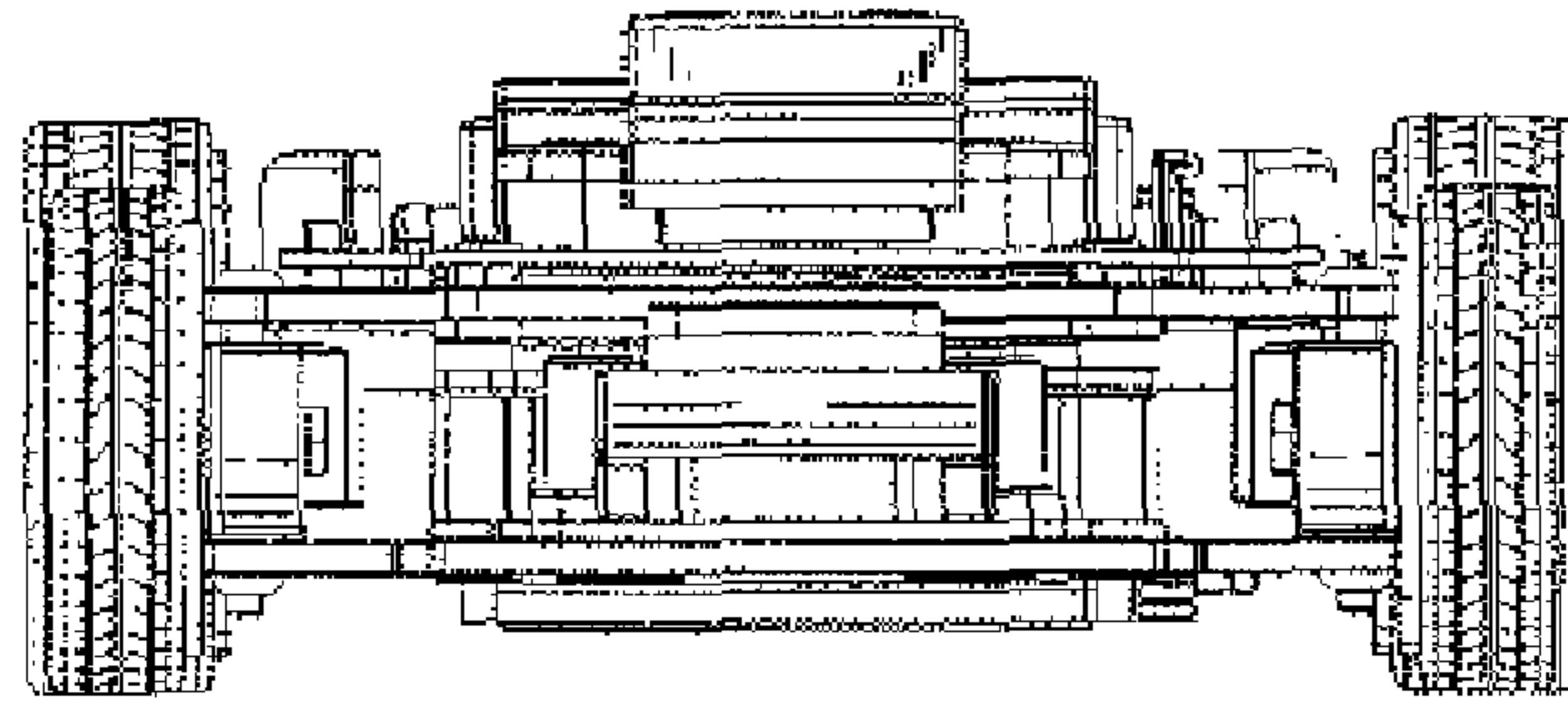


Fig. 2

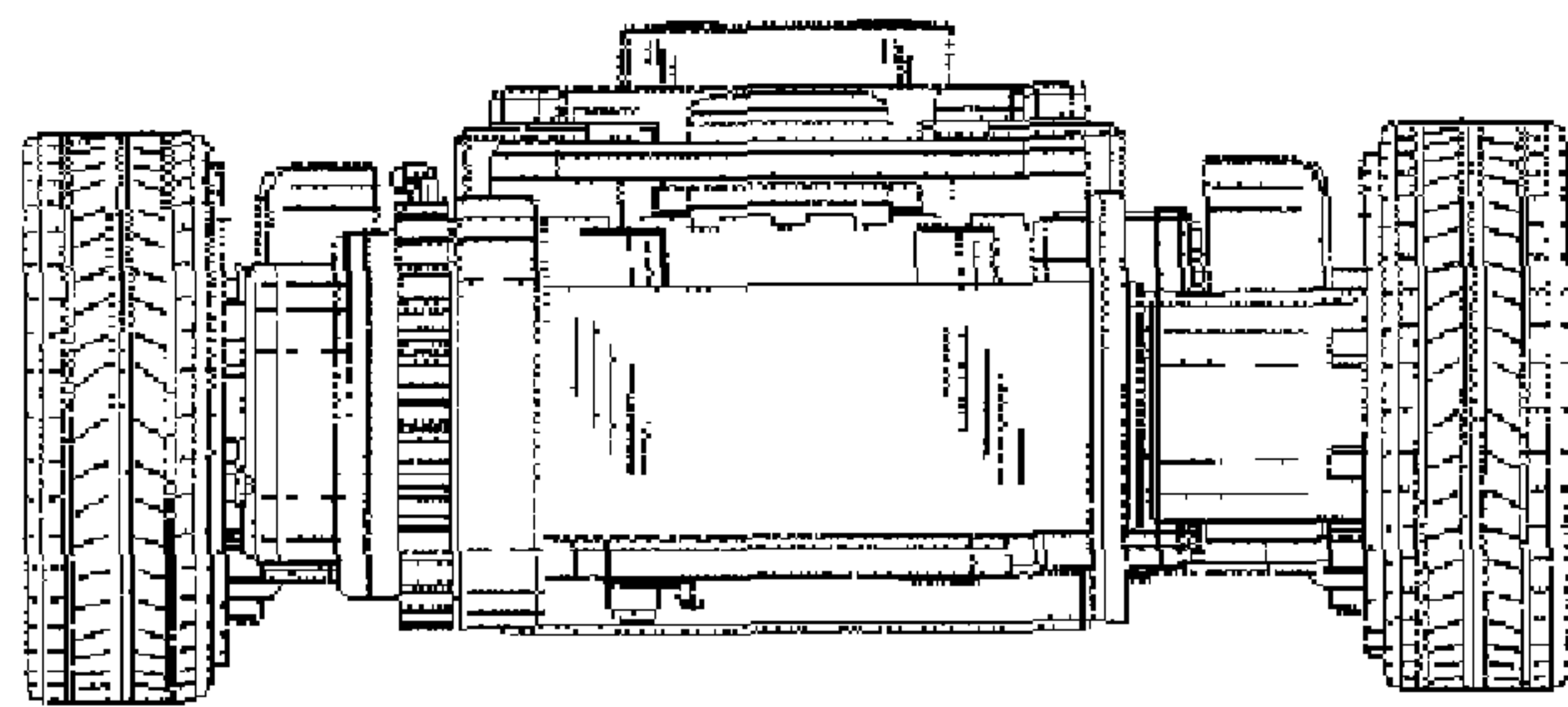


Fig. 3

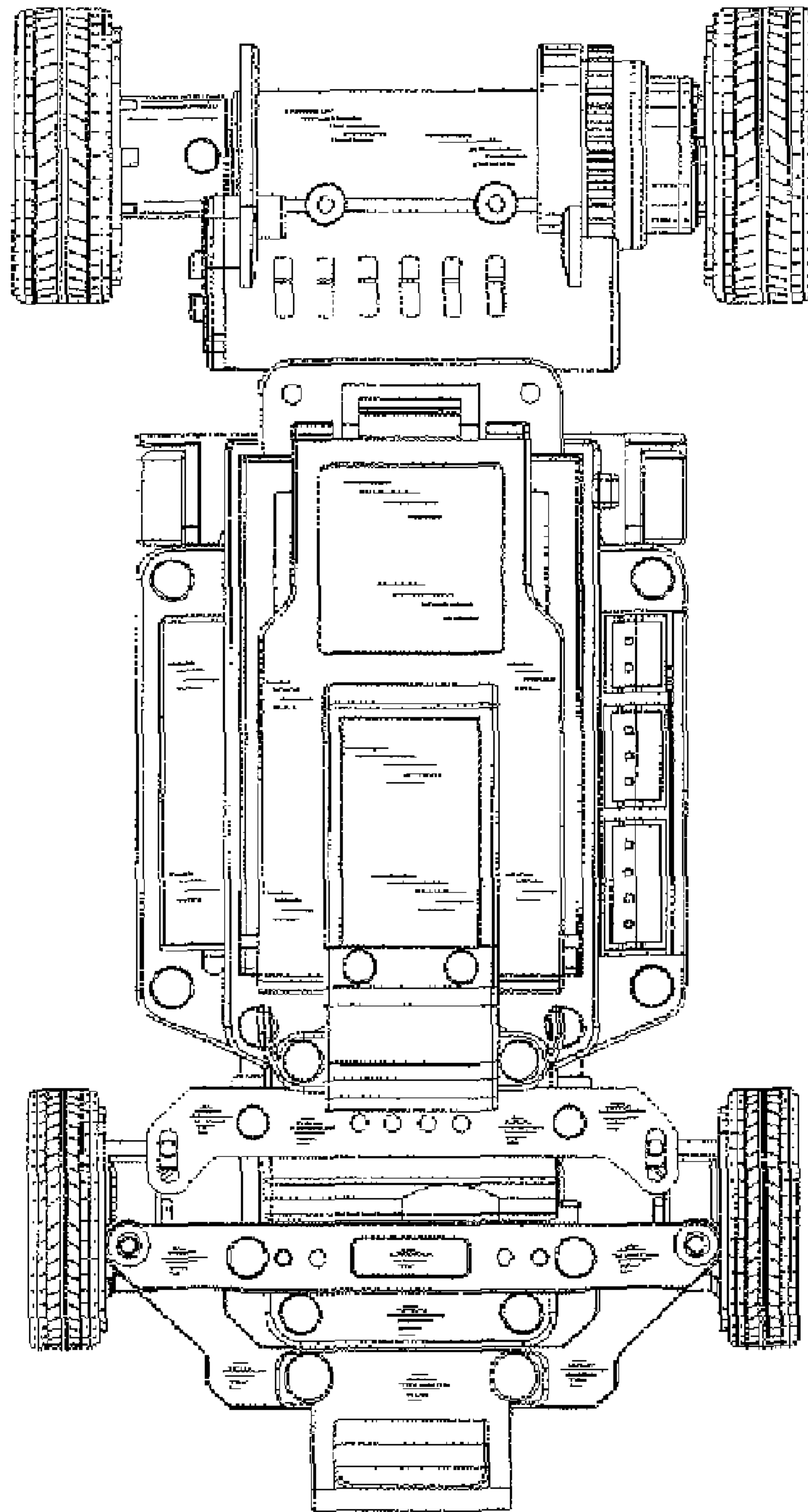


Fig. 4

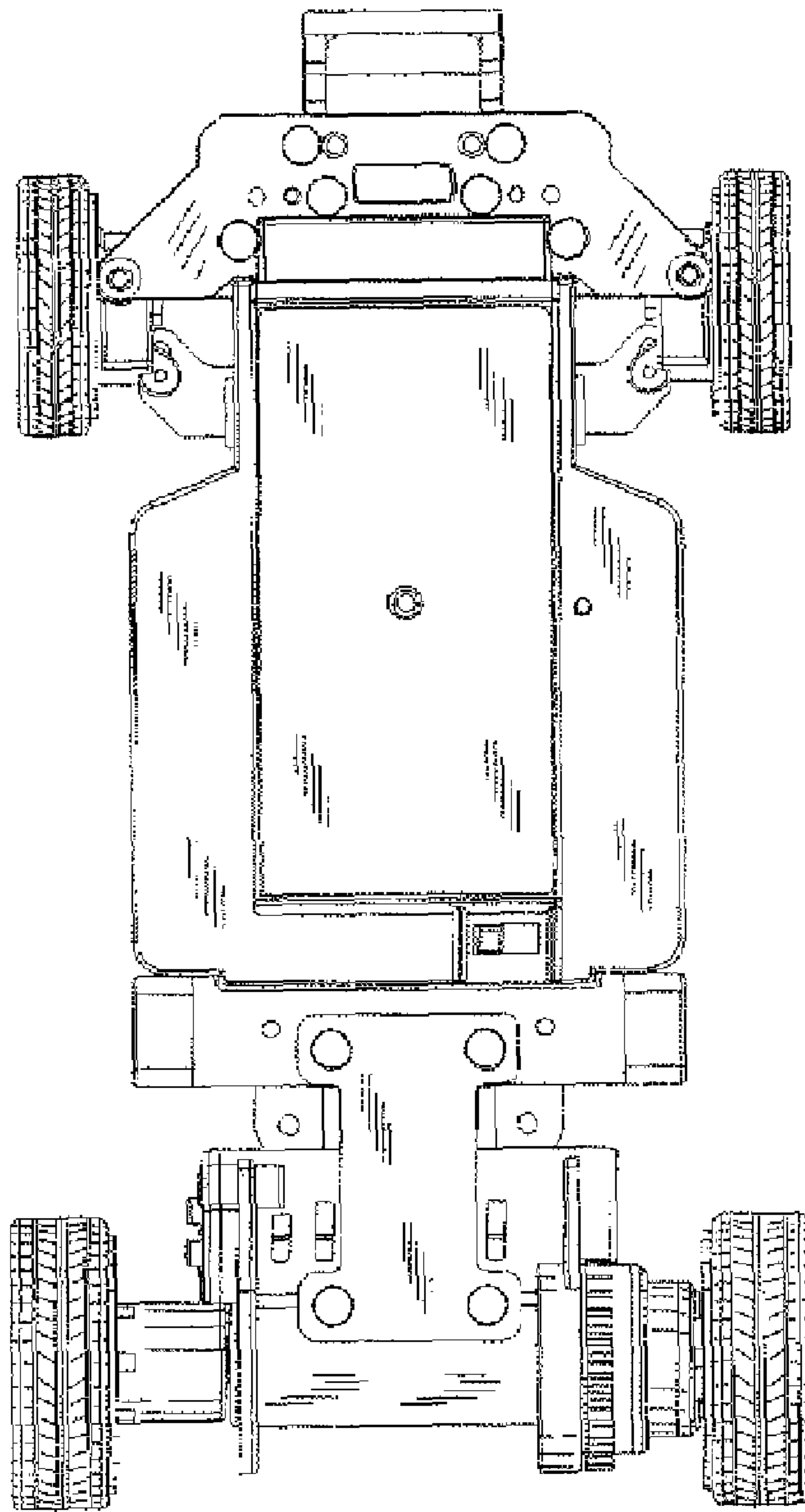


Fig. 5



Fig. 6

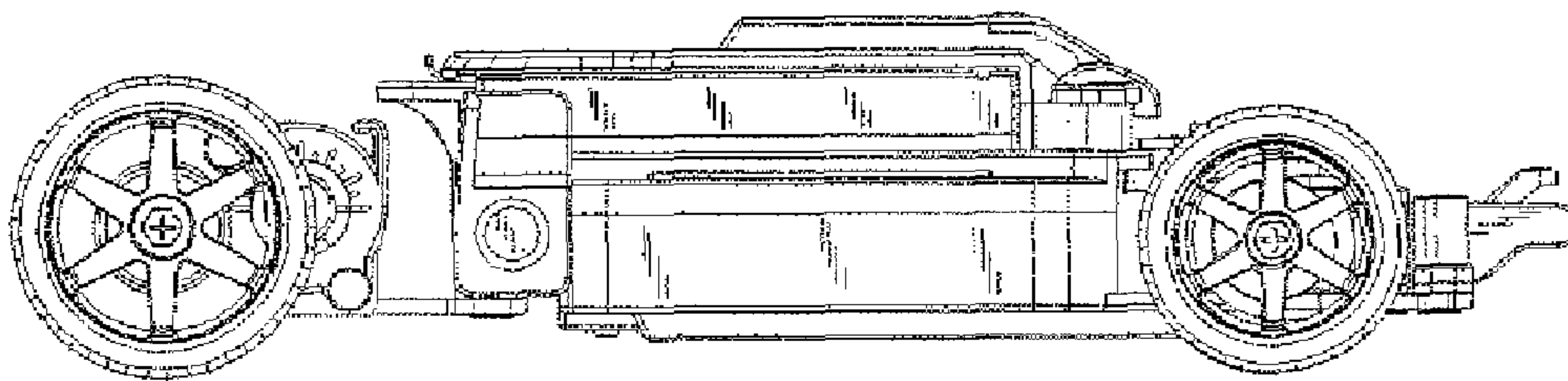


Fig. 7

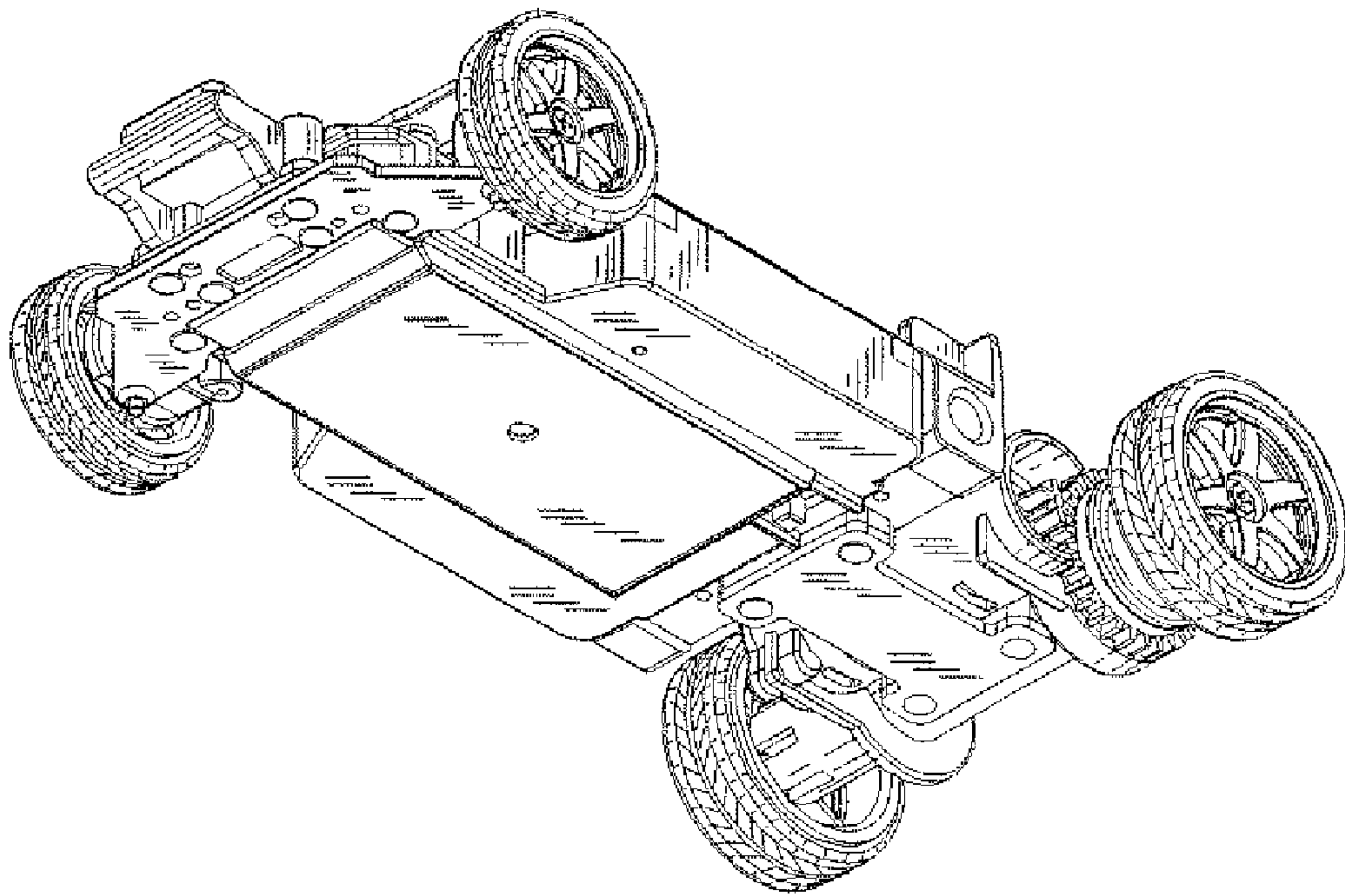


Fig. 8