



US00D593615S

(12) **United States Design Patent**
Woodard

(10) **Patent No.:** **US D593,615 S**
(45) **Date of Patent:** **** Jun. 2, 2009**

(54) **BOUNCING TOY AUTOMOBILE**

D471,136 S * 3/2003 Cofano D12/87
D490,125 S * 5/2004 Wei D21/551

(76) Inventor: **Otis Woodard**, 1913 W. 138th St.,
Compton, CA (US) 90222

* cited by examiner

(**) Term: **14 Years**

Primary Examiner—Holly H Baynham
Assistant Examiner—Cynthia M Chin

(21) Appl. No.: **29/320,214**

(57) **CLAIM**

(22) Filed: **Jun. 23, 2008**

I claim, the ornamental design for a bouncing toy automobile,
as shown and described.

(51) **LOC (9) Cl.** **21-01**

(52) **U.S. Cl.** **D21/551**

(58) **Field of Classification Search** D21/412,
D21/533, 549, 550–552, 559, 561, 562; D12/86–92,
D12/96, 98, 99; 446/465, 466, 468–471,
446/431, 443–449, 454–456

DESCRIPTION

See application file for complete search history.

FIG. 1 is a front elevational view of the bouncing toy auto-
mobile showing my new design;

FIG. 2 is a left-side elevational view of the bouncing toy
automobile thereof;

(56) **References Cited**

U.S. PATENT DOCUMENTS

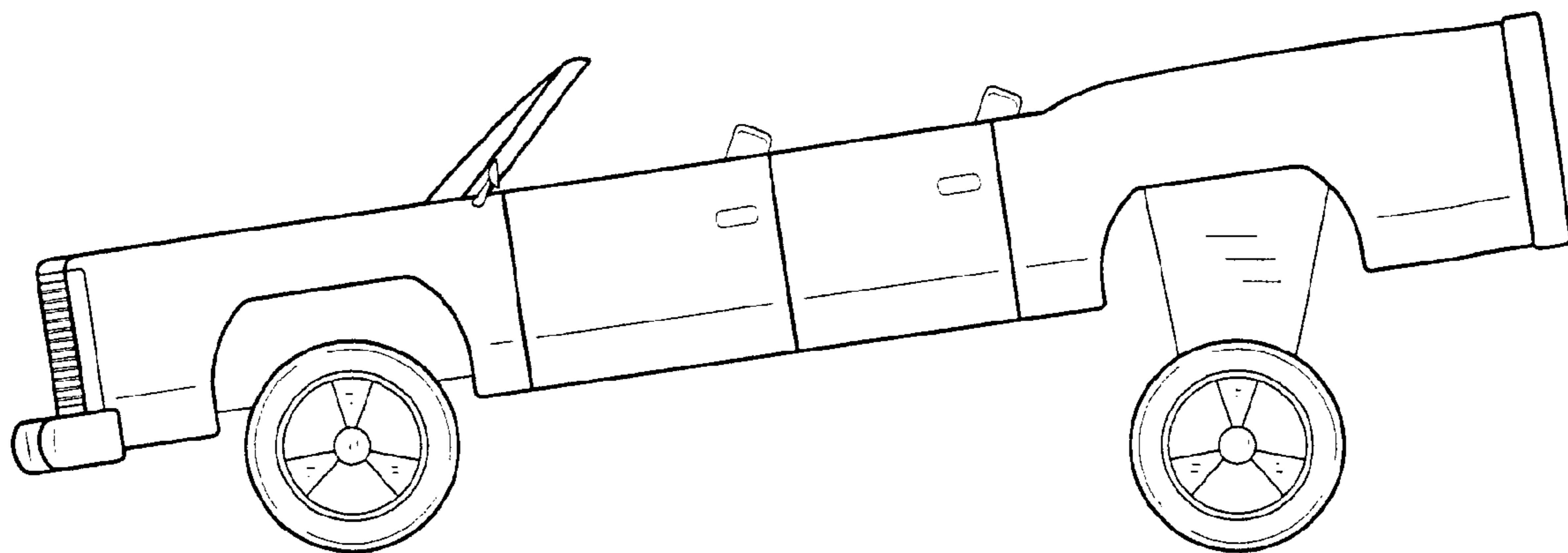
FIG. 3 is right-side elevational view of the bouncing toy
automobile thereof;

- D219,930 S * 2/1971 Fogarty et al. D21/551
- D266,778 S * 11/1982 Hilko D21/551
- D315,931 S * 4/1991 Berggren D21/551
- D333,327 S * 2/1993 Plater-Zyberk D21/433
- D366,295 S * 1/1996 McGovern D21/551
- D395,929 S * 7/1998 Boifava D21/433

FIG. 4 is a top plan view of the bouncing toy automobile
thereof; and,

FIG. 5 is a bottom plan view of the bouncing toy automobile
thereof.

1 Claim, 2 Drawing Sheets



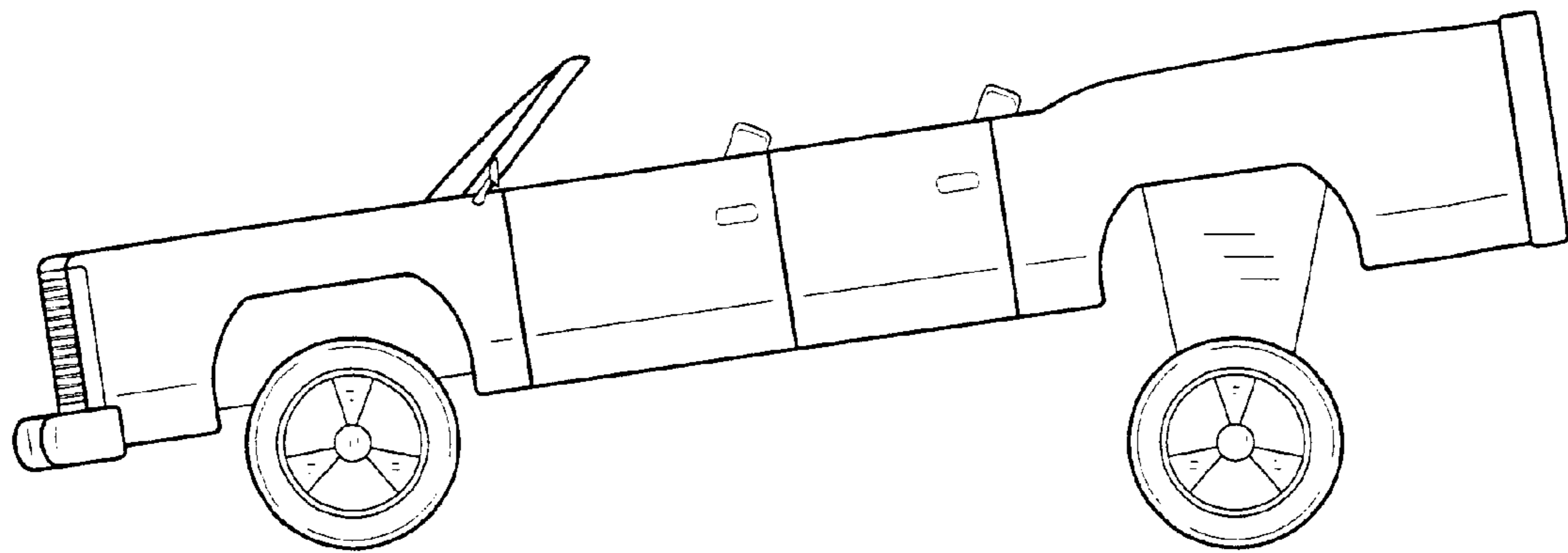


FIG. 1

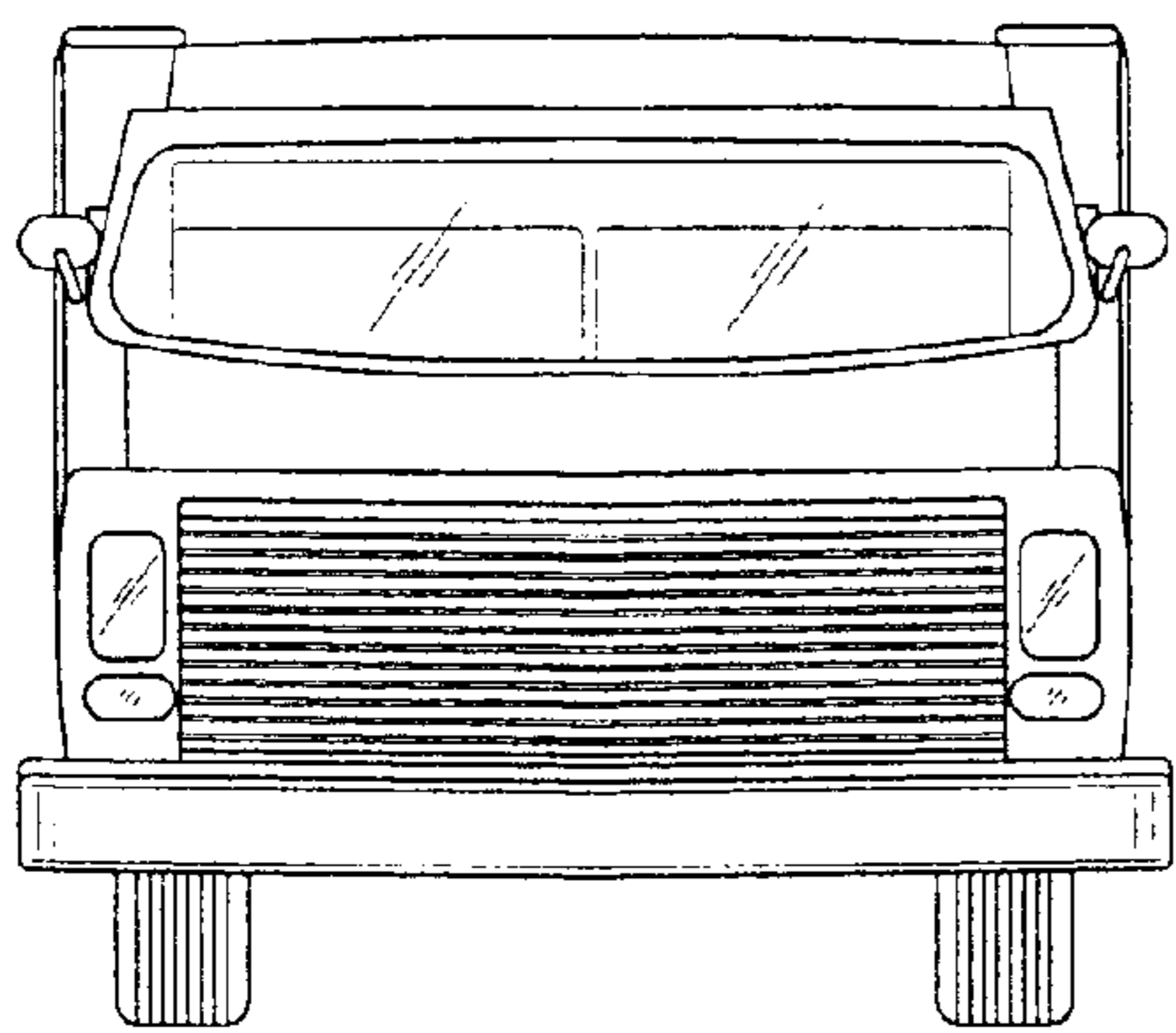


FIG. 2

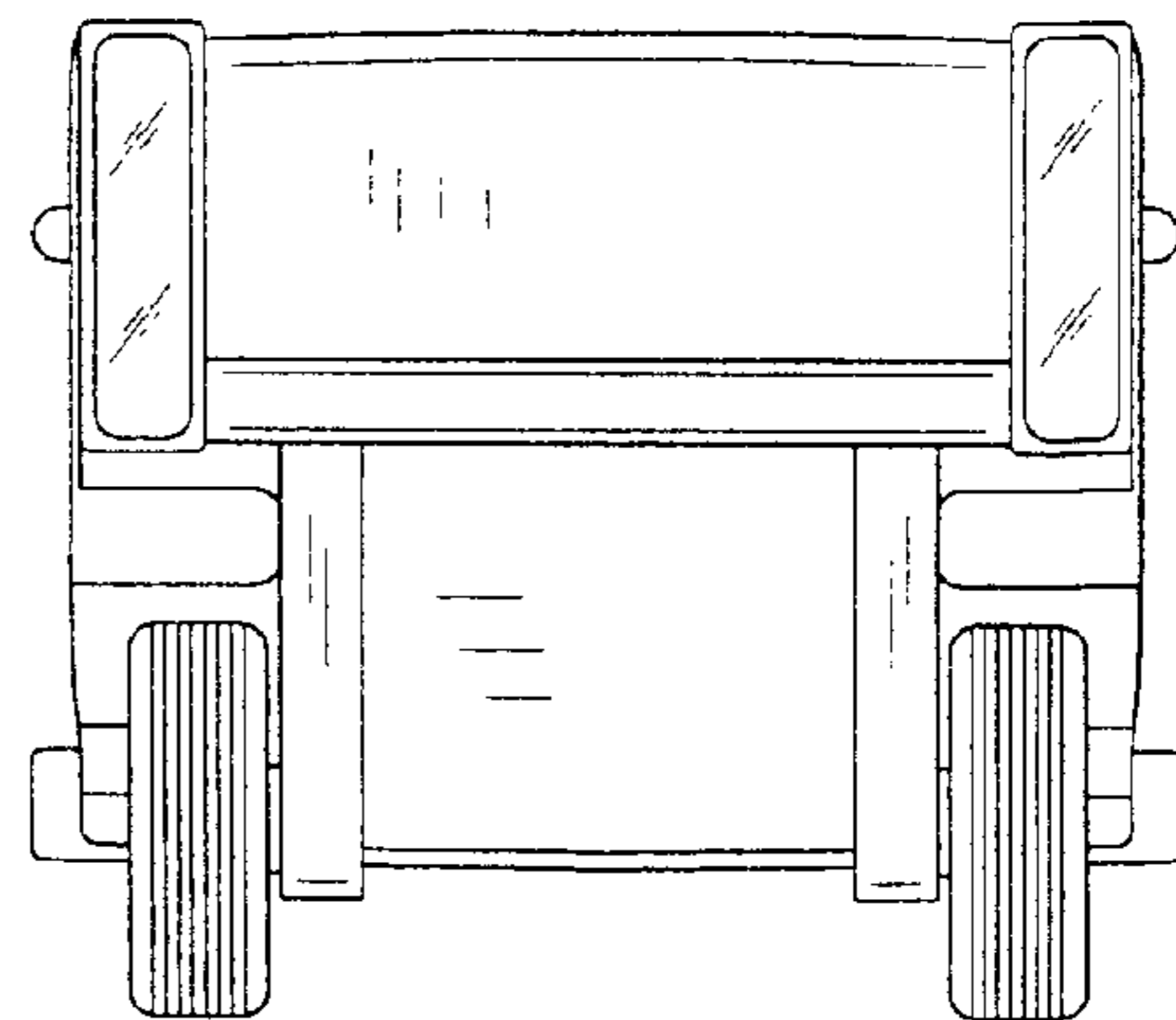


FIG. 3

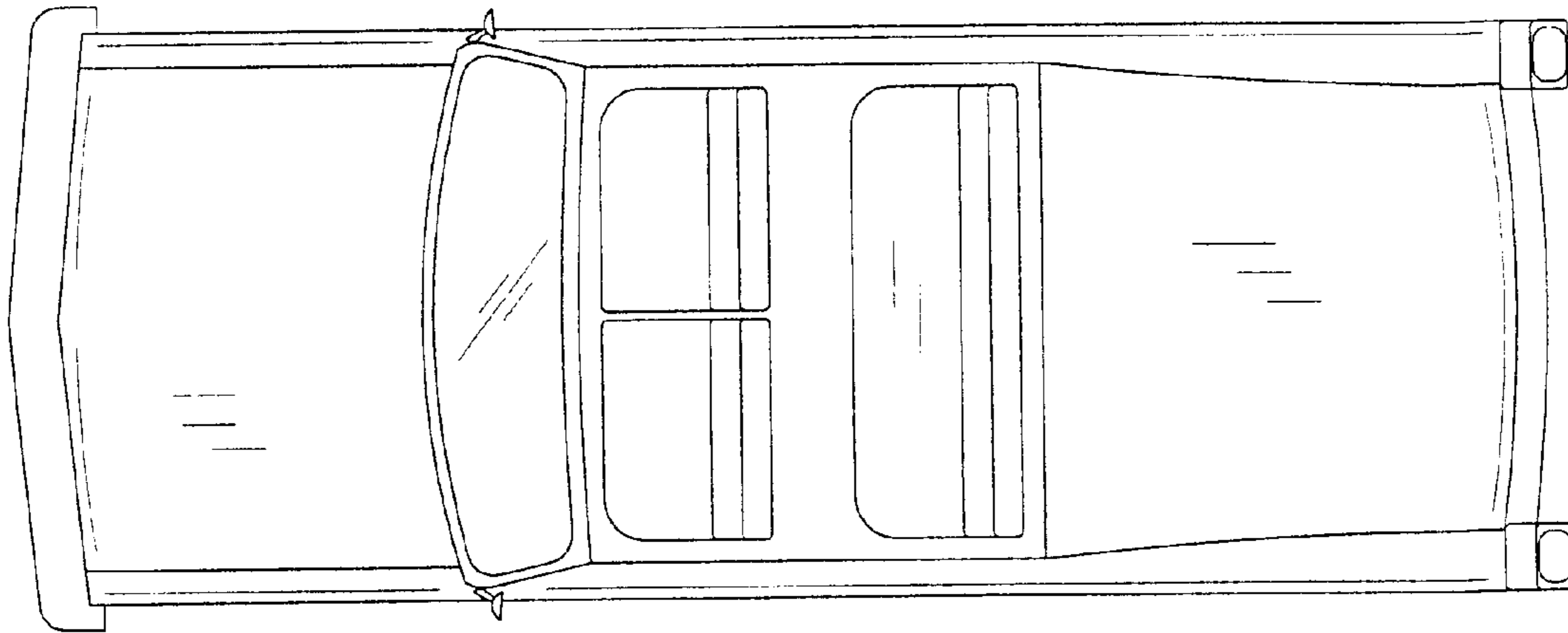


FIG. 4

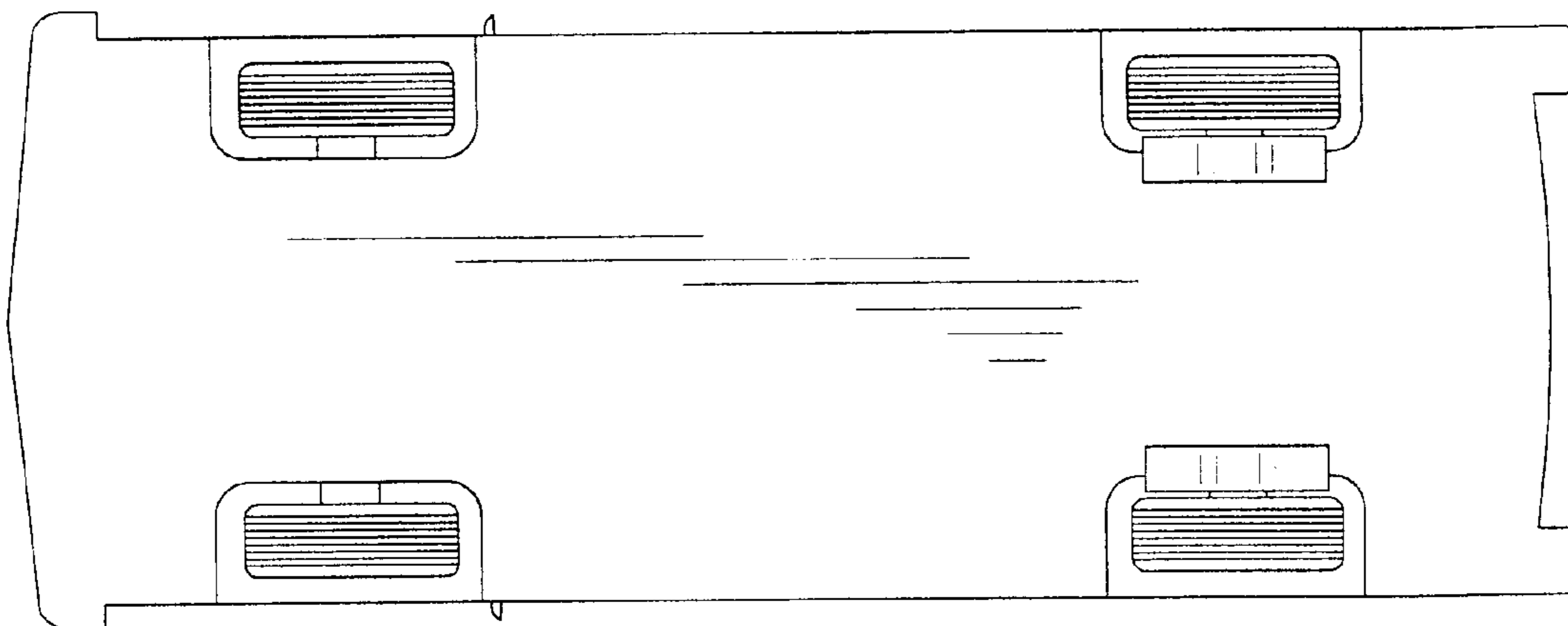


FIG. 5