



US00D593614S

(12) **United States Design Patent**
Didulo et al.

(10) **Patent No.:** **US D593,614 S**
(45) **Date of Patent:** **** Jun. 2, 2009**

(54) **NAMETAG HOLDER**

(75) Inventors: **Jensen Miguel Didulo**, Vancouver (CA);
Larry John Matier, Surrey (CA)

(73) Assignee: **Ilten Products Ltd.**, Richmond (CA)

(**) Term: **14 Years**

(21) Appl. No.: **29/277,196**

(22) Filed: **Feb. 16, 2007**

(30) **Foreign Application Priority Data**

Aug. 18, 2006 (CA) 117158

(51) **LOC (9) Cl.** **20-03**

(52) **U.S. Cl.** **D20/43**

(58) **Field of Classification Search** D20/10,
D20/15, 22, 27, 39, 42, 43, 99; 40/1.5, 1.6,
40/124.01, 124.07, 299.01, 538, 584, 606.12,
40/604.11, 625, 626, 628, 629, 650, 651,
40/658, 661, 662, 738; D6/300; D8/394,
D8/395; D14/439; 24/3.1, 3.4, 504; 283/56
See application file for complete search history.

(56) **References Cited**

U.S. PATENT DOCUMENTS

2,177,406 A * 10/1939 Hacker 40/1.5
D202,325 S * 9/1965 Foster et al. D20/10
3,256,575 A * 6/1966 Shibata 24/3.1
4,005,510 A * 2/1977 Noda 24/504
D356,832 S * 3/1995 Maxwell-Trumble et al. ... D20/
22
5,842,256 A * 12/1998 Anscher 24/3.4
D433,715 S * 11/2000 Bartz D20/22
D462,691 S * 9/2002 Attwood et al. D14/439

D480,760 S * 10/2003 Wieth et al. D20/10
D530,926 S * 10/2006 Sellers D6/300
7,174,607 B1 * 2/2007 Buettell 24/504
2006/0086025 A1 * 4/2006 Benedict et al. 40/606.12

* cited by examiner

Primary Examiner—Caron Veynar

Assistant Examiner—Mary Ann Calabrese

(74) *Attorney, Agent, or Firm*—Oyen Wiggs Green & Mutala
LLP

(57) **CLAIM**

The ornamental design for a nametag holder, as shown and described.

DESCRIPTION

FIG. 1 is a front isometric view of the applicant's nametag holder according to the Design;

FIG. 2 is a rear isometric view thereof;

FIG. 3 is a front elevational view thereof;

FIG. 4 is a rear elevational view thereof;

FIG. 5 is a top view thereof;

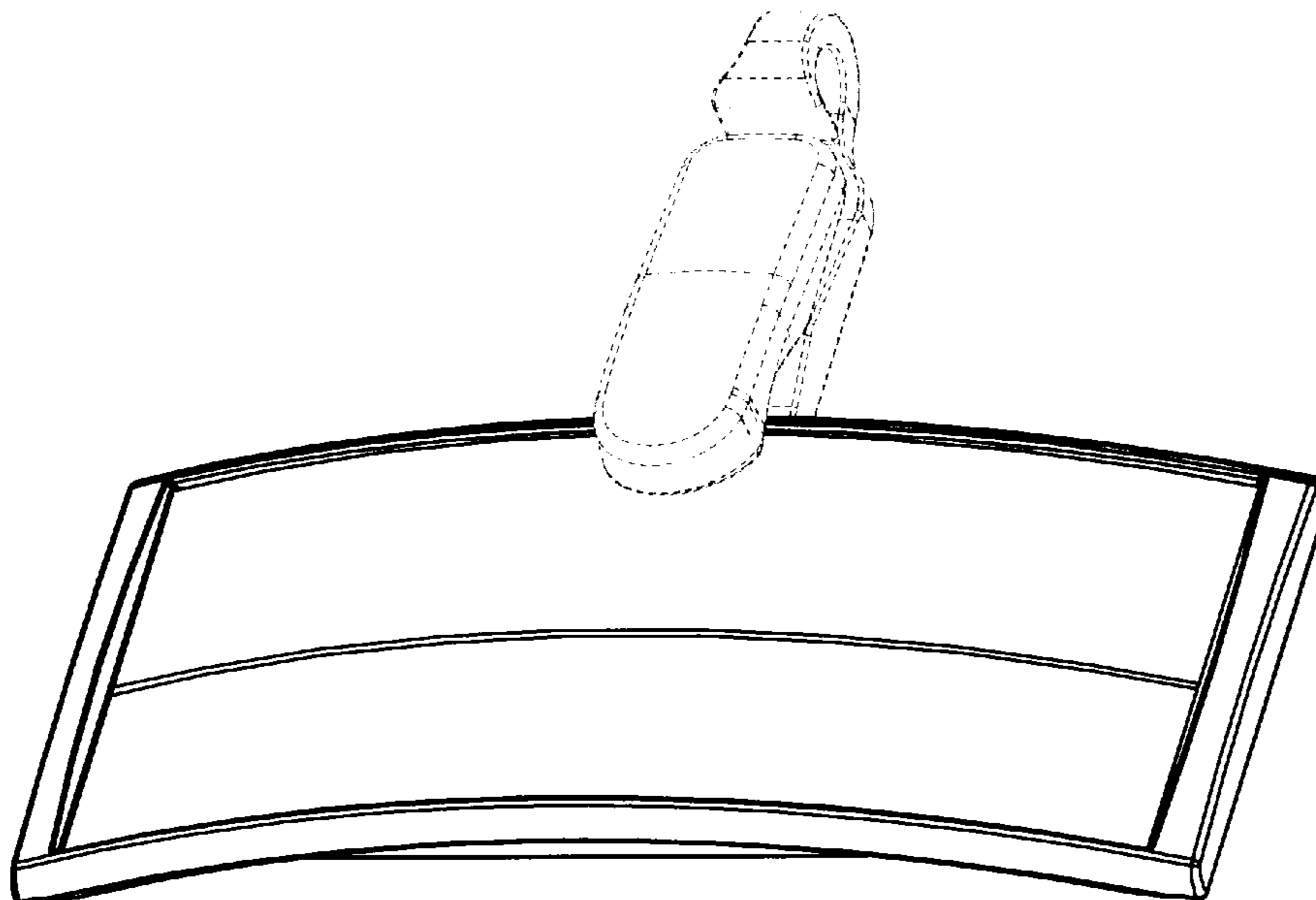
FIG. 6 is a side view thereof;

FIG. 7 is a front isometric view of the applicant's nametag holder attached to a lanyard clip, the clip being shown as environment and not forming part of the Design; and,

FIG. 8 is a rear isometric view of the applicant's nametag holder attached to a lanyard clip, the clip being shown as environment and not forming part of the Design.

The lanyard clip shown in broken lines in FIGS. 7 and 8 does not form part of the Design, but rather is intended to illustrate the environment of the applicant's nametag holder.

1 Claim, 8 Drawing Sheets



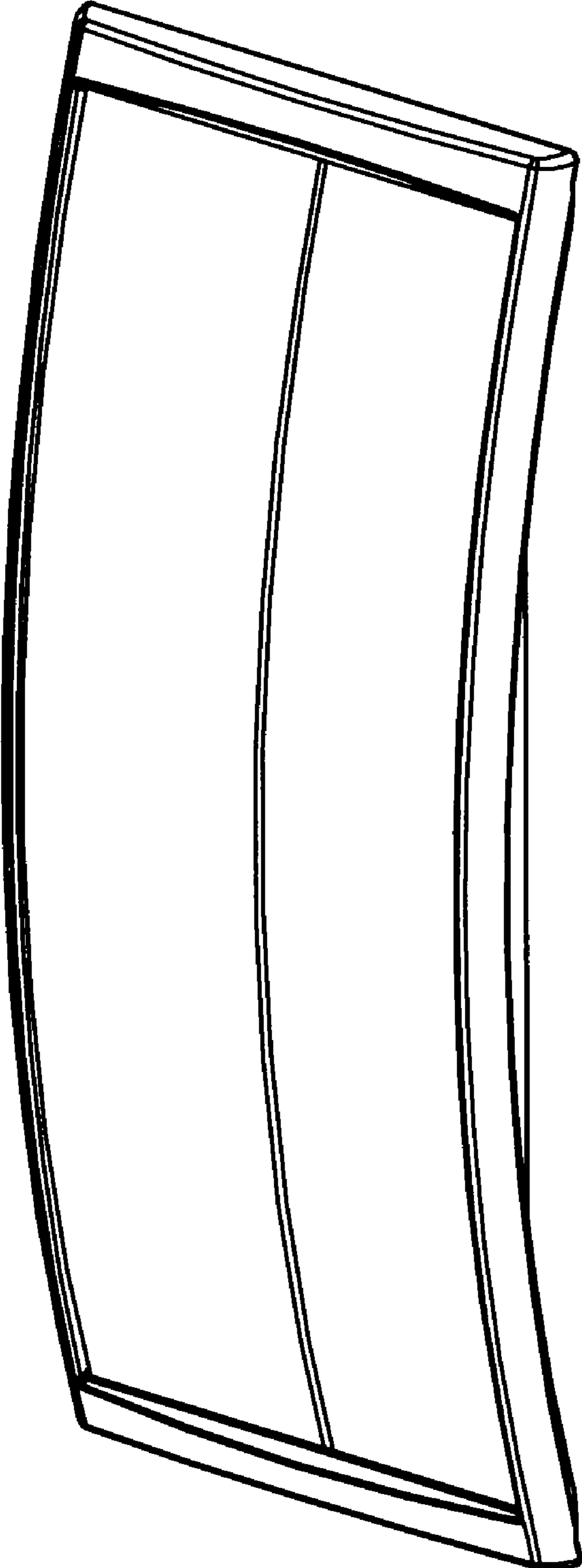


FIGURE 1

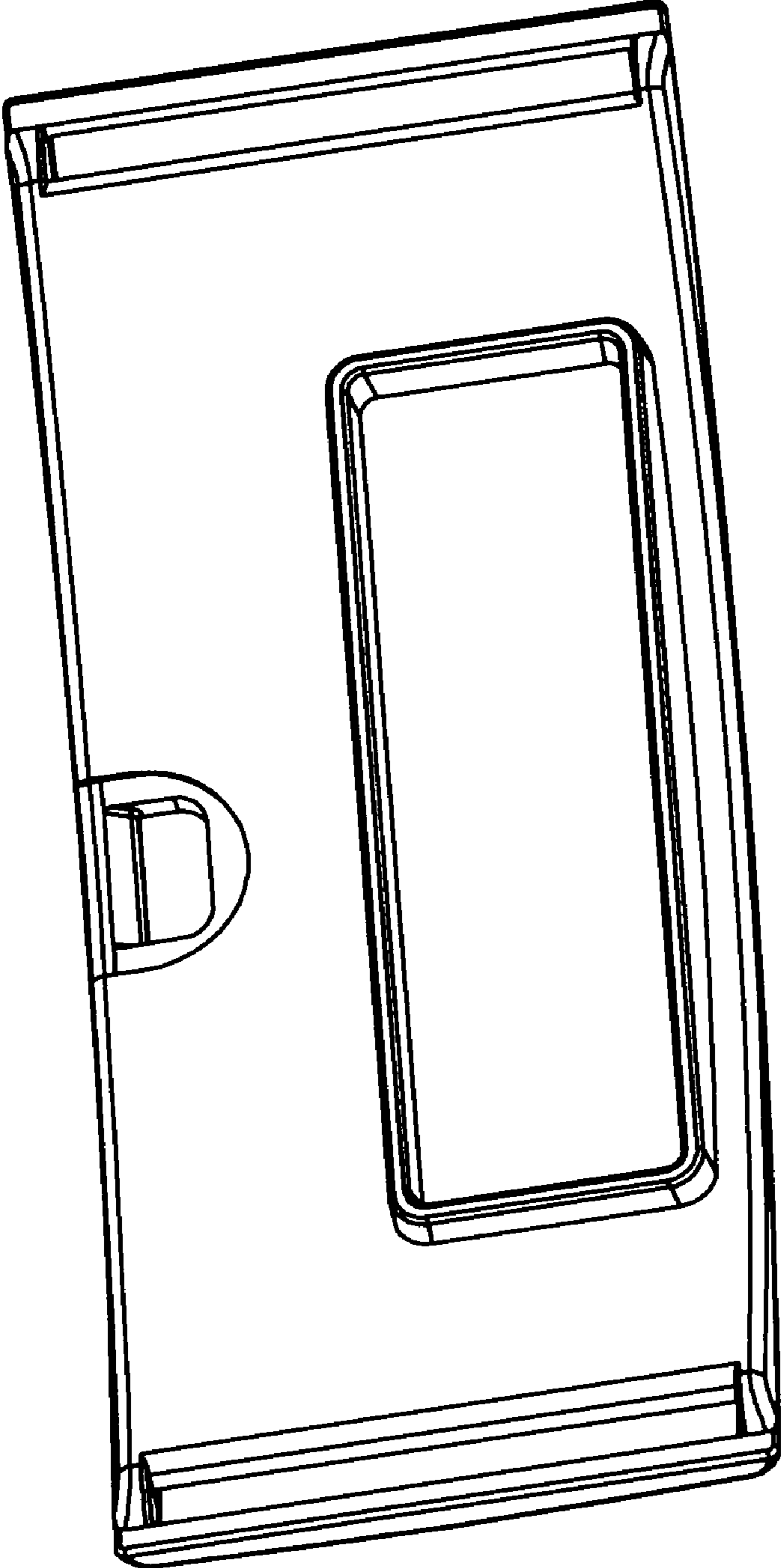


FIGURE 2

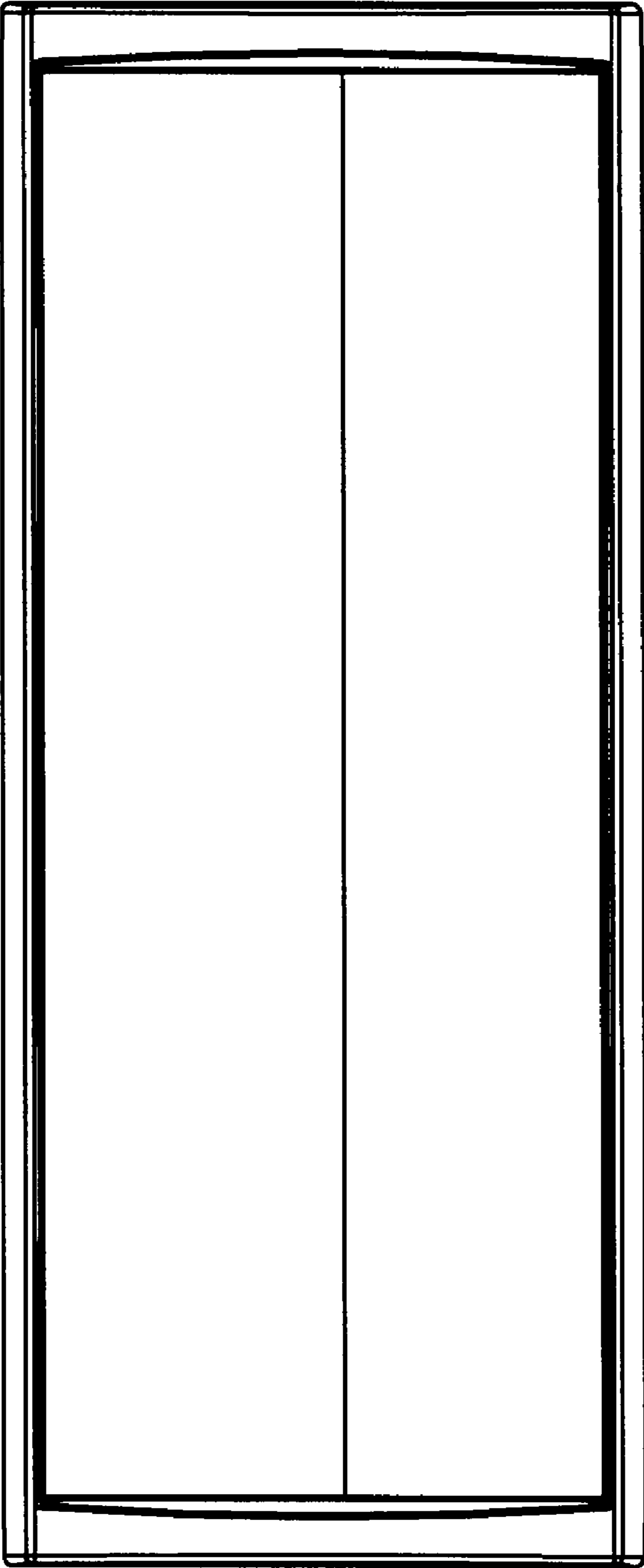


FIGURE 3

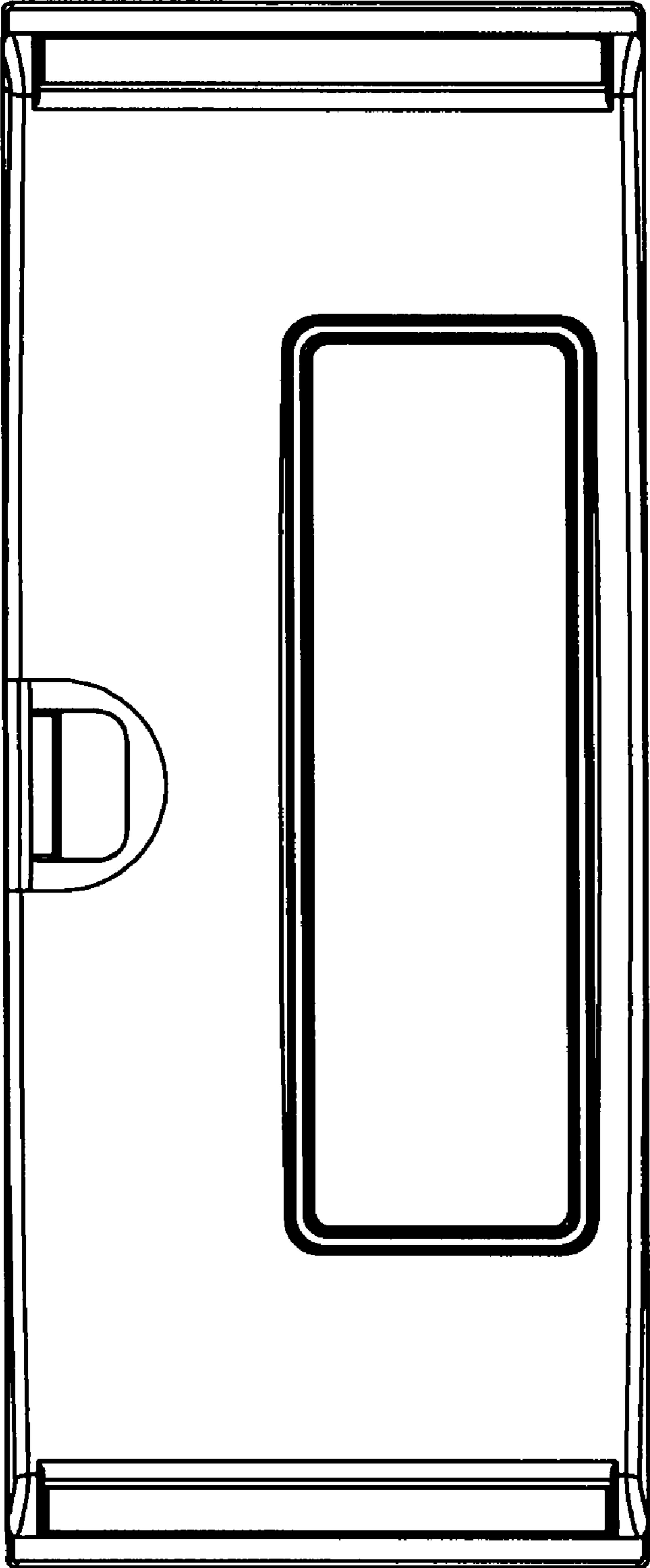


FIGURE 4

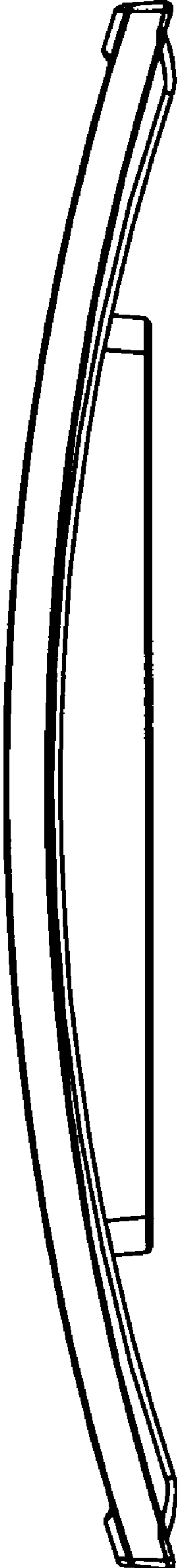


FIGURE 5

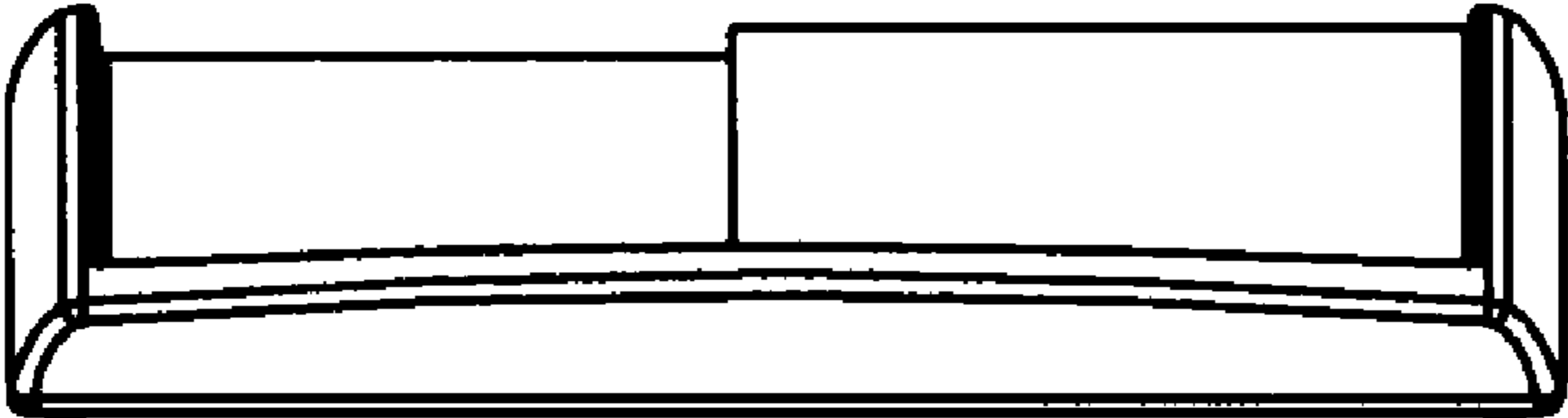


FIGURE 6

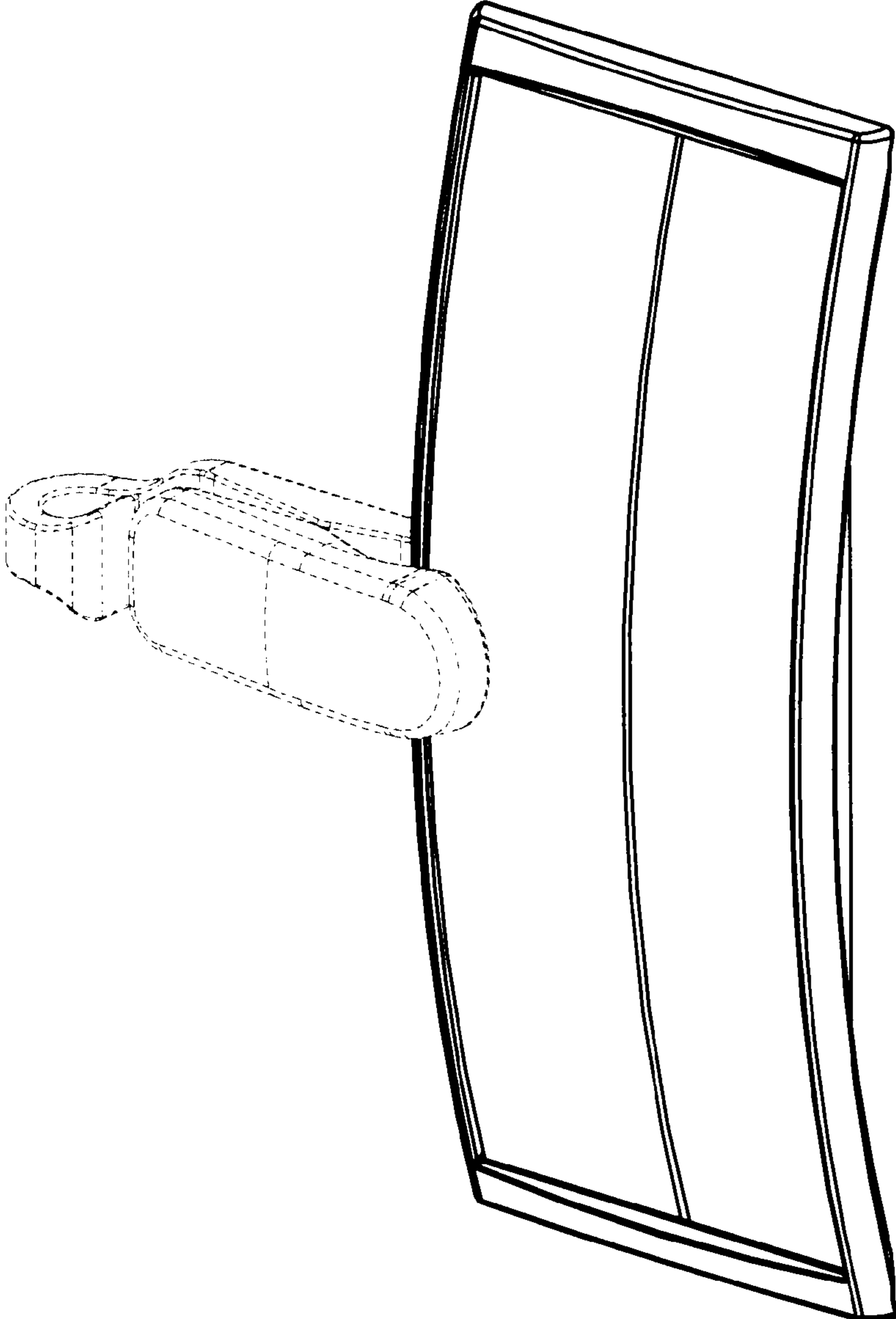


FIGURE 7

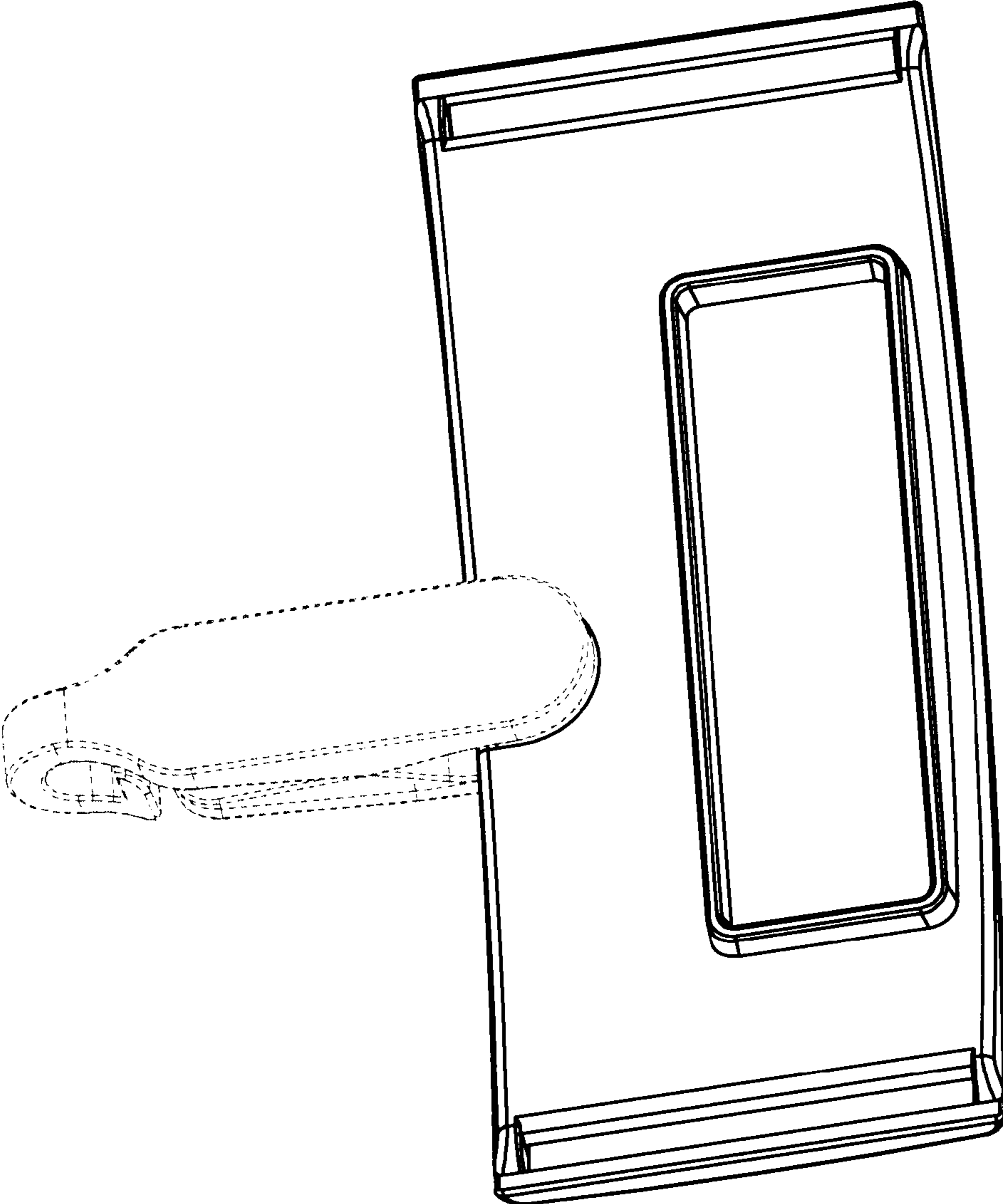


FIGURE 8