



US00D593612S

(12) **United States Design Patent**
Farnworth et al.

(10) **Patent No.:** **US D593,612 S**
(45) **Date of Patent:** **** Jun. 2, 2009**

(54) **MANUALLY OPERATED HOLE PUNCH**

(75) Inventors: **Stuart David Farnworth**, Westport, CT (US); **Jonathan A. Lee**, Milford, CT (US); **Javier Verdura**, Milford, CT (US)

(73) Assignee: **Acme United Corporation**, Fairfield, CT (US)

(**) Term: **14 Years**

(21) Appl. No.: **29/291,601**

(22) Filed: **Sep. 6, 2007**

(51) **LOC (9) Cl.** **19-02**

(52) **U.S. Cl.** **D19/72**

(58) **Field of Classification Search** D19/49, D19/50, 51, 72, 73; 83/684, 669, 620, 627, 83/618, 588, 563, 549, 522.19, 468, 449, 83/467.1, 277, 167; 412/42; 30/364, 363, 30/358, 233; 40/301; 156/513

See application file for complete search history.

(56) **References Cited**

U.S. PATENT DOCUMENTS

732,030	A *	6/1903	Allen	30/363
1,444,736	A *	2/1923	Fowler	30/363
D113,225	S *	2/1939	Heise	D19/72
2,449,839	A *	9/1948	Brittle	30/363
2,980,997	A *	4/1961	Hendricks	30/363
3,015,161	A *	1/1962	Semler et al.	30/363
3,274,687	A *	9/1966	Le Blanc	30/360
3,605,310	A *	9/1971	Brown	40/301
3,763,513	A *	10/1973	Cooley	412/42

4,291,464	A *	9/1981	Garrett	30/363
RE32,460	E *	7/1987	Leggett, Jr.	30/363
4,729,170	A *	3/1988	Hartmeister	30/363
4,987,683	A *	1/1991	Brych	30/363
D379,475	S *	5/1997	Mangler	D19/72
5,862,599	A *	1/1999	Johnson et al.	30/364
D451,143	S *	11/2001	Shapiro	D19/72
6,718,641	B2 *	4/2004	Hsuan	30/363
2004/0123713	A1 *	7/2004	Cofer	83/522.19
2005/0097758	A1 *	5/2005	Elkins	30/233

* cited by examiner

Primary Examiner—Cathron C Brooks

Assistant Examiner—Austin Murphy

(74) *Attorney, Agent, or Firm*—Alix, Yale & Ristas, LLP

(57) **CLAIM**

The ornamental design for the manually operated hole punch, as shown and described.

DESCRIPTION

FIG. 1 is a perspective view of the manually operated hole punch showing our new design;

FIG. 2 is a front view thereof;

FIG. 3 is a rear view thereof;

FIG. 4 is a top plan view thereof;

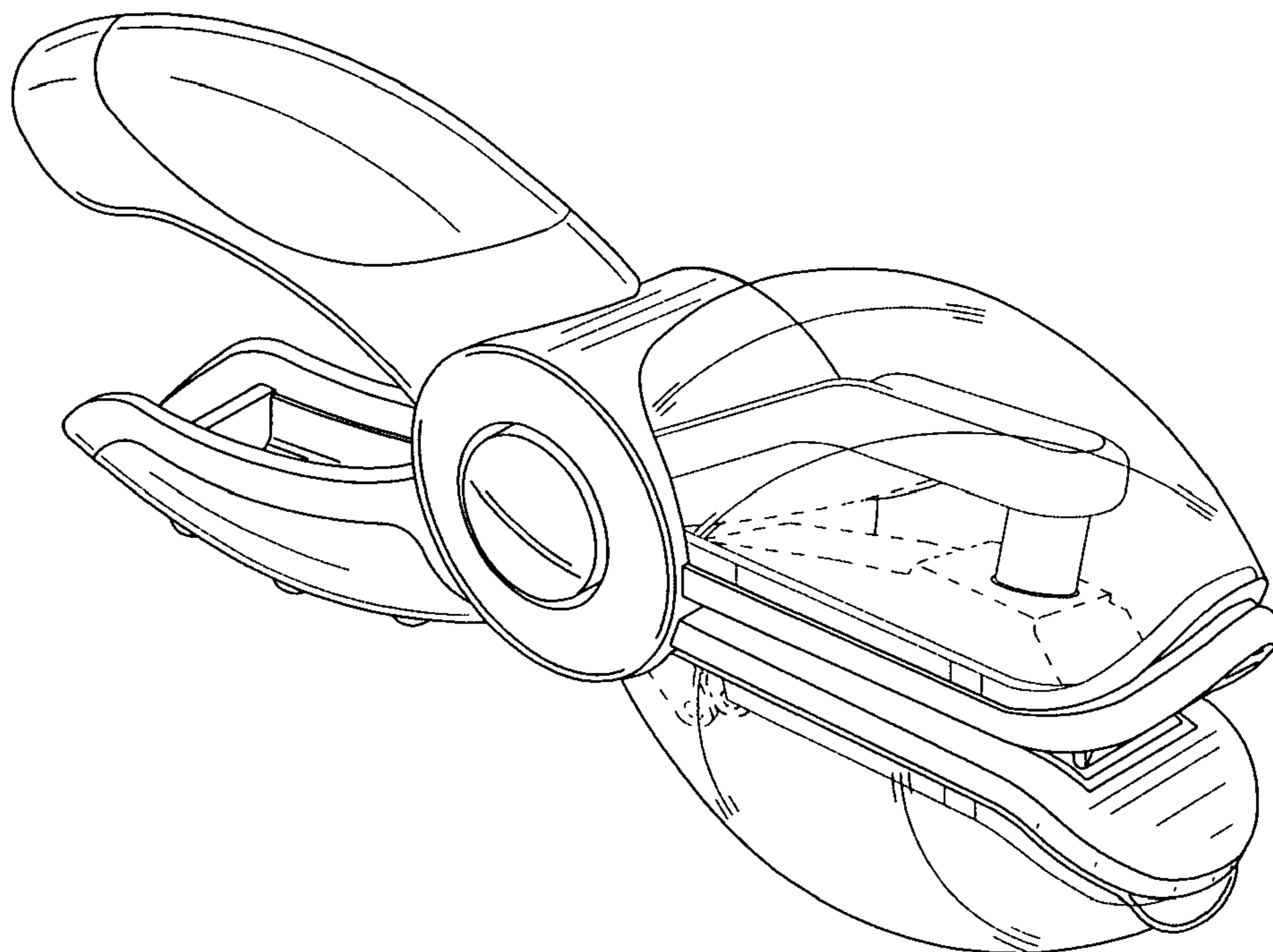
FIG. 5 is a bottom plan view thereof;

FIG. 6 is an enlarged right side view thereof; and,

FIG. 7 is an enlarged left side view thereof.

No claim is made to the portions shown in broken lines.

1 Claim, 3 Drawing Sheets



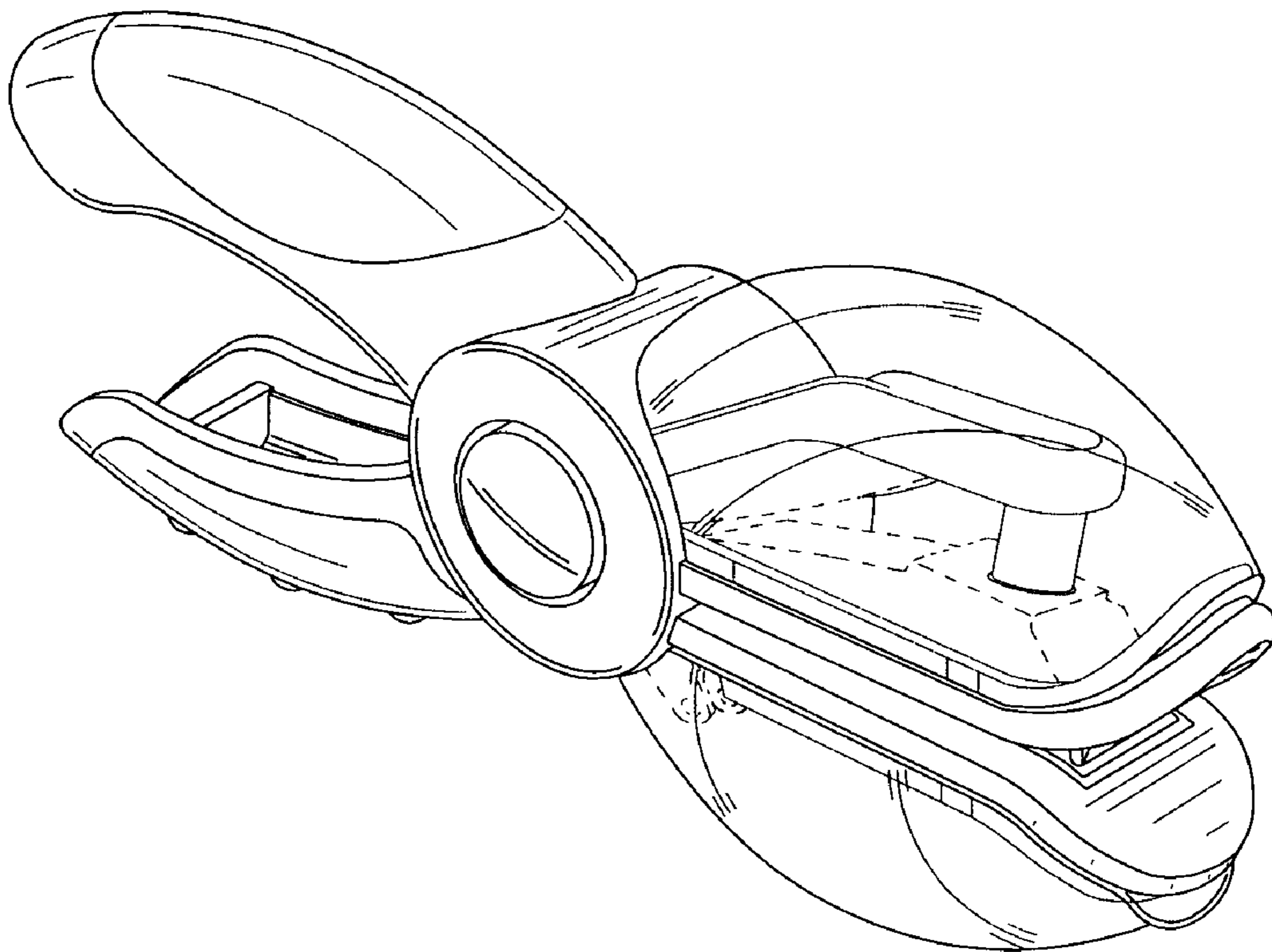


FIG. 1

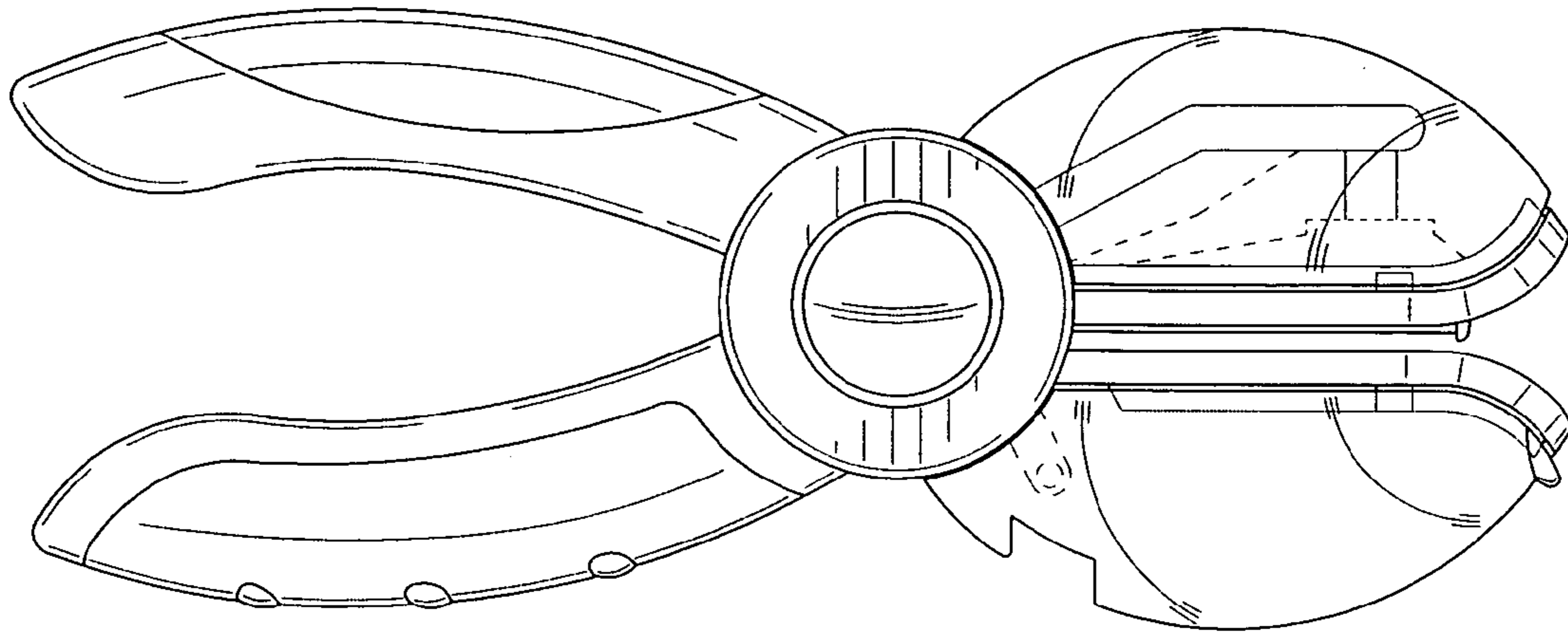


FIG. 2

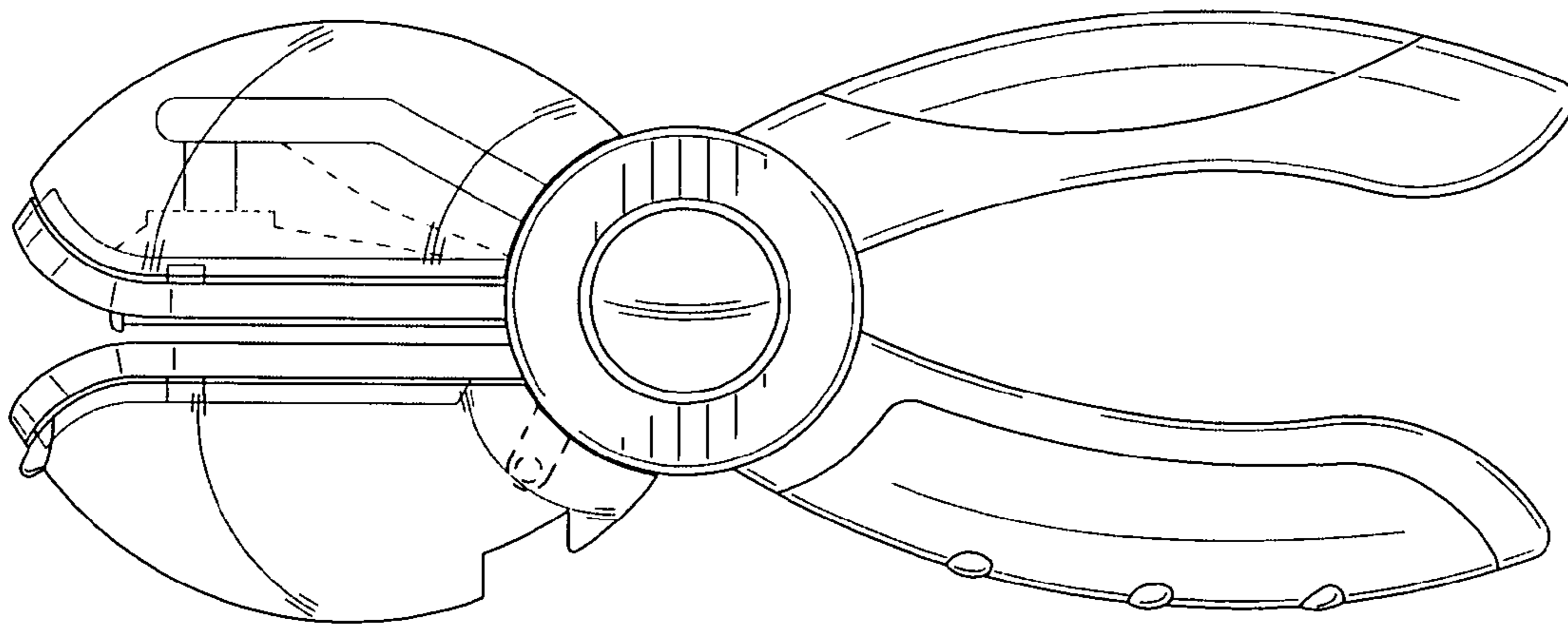


FIG. 3

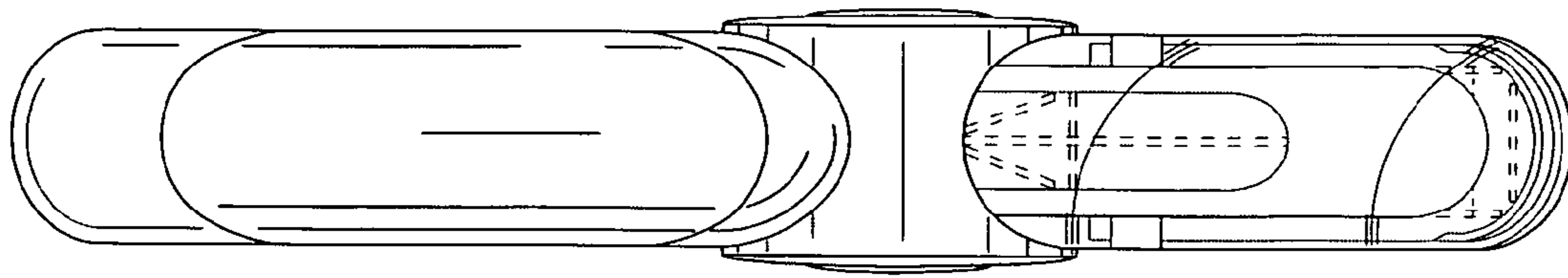


FIG. 4

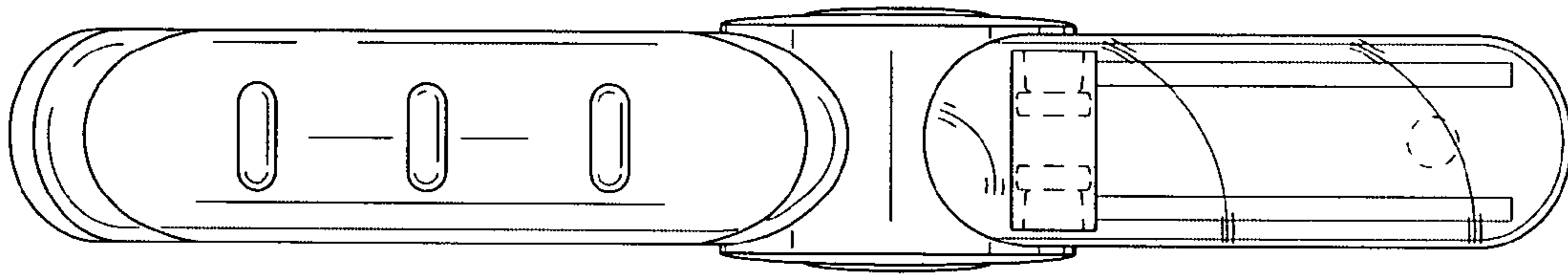


FIG. 5

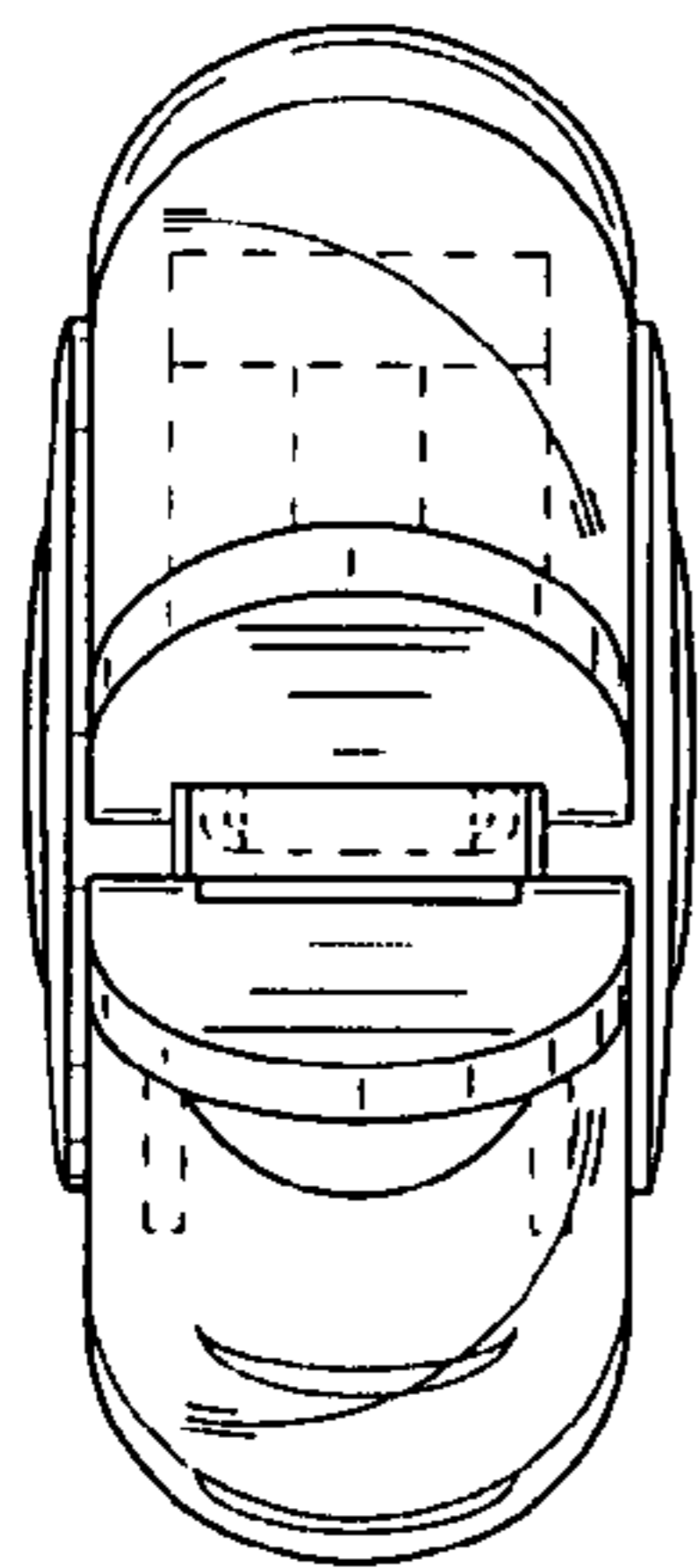


FIG. 6

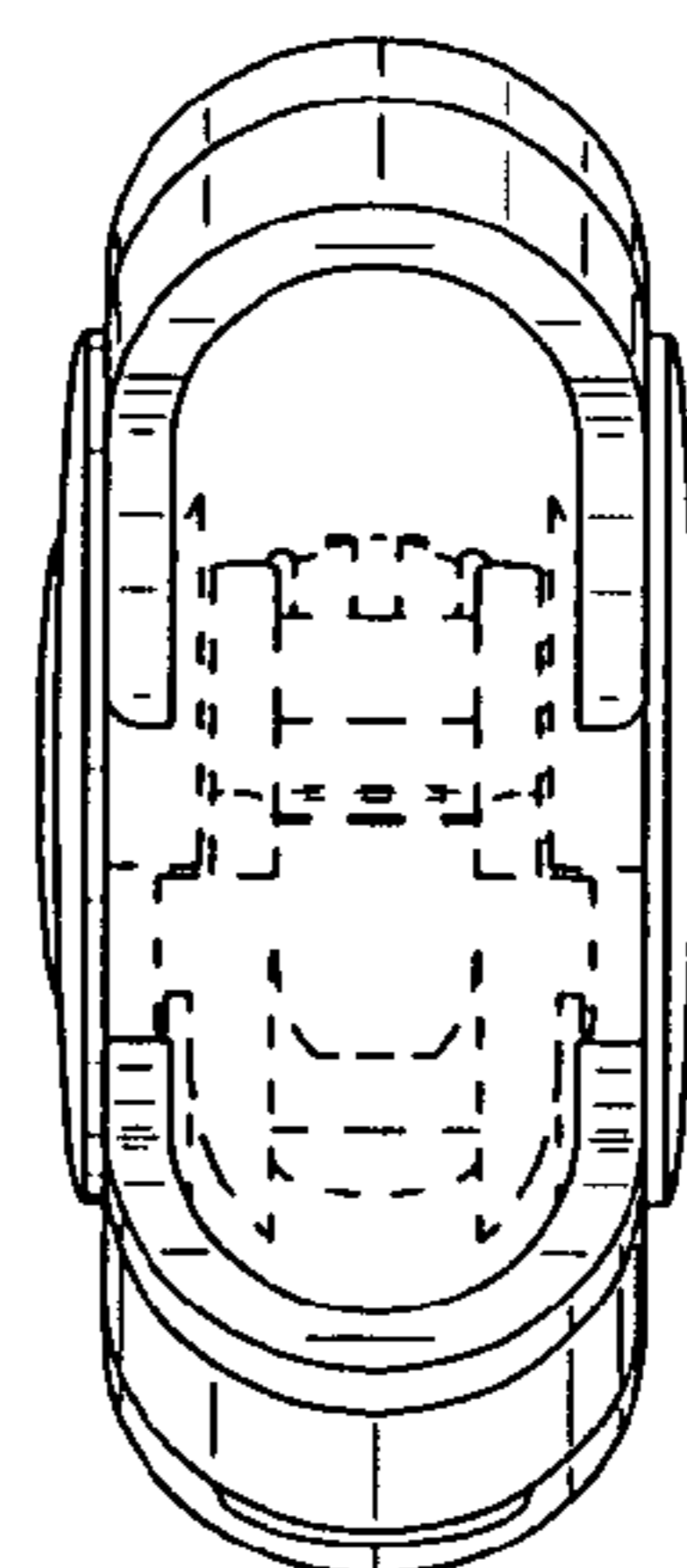


FIG. 7