



US00D593609S

(12) **United States Design Patent**
Blau

(10) **Patent No.:** **US D593,609 S**
(45) **Date of Patent:** **** Jun. 2, 2009**

(54) **DUPLEX CLIP**

(75) Inventor: **Eddie E. Blau**, Calabasas, CA (US)

(73) Assignee: **Innovation Specialties, Inc.**, Culver City, CA (US)

(**) Term: **14 Years**

(21) Appl. No.: **29/292,799**

(22) Filed: **Oct. 29, 2007**

(51) **LOC (9) Cl.** **19-02**

(52) **U.S. Cl.** **D19/65**

(58) **Field of Classification Search** D14/230–238,
D14/299, 358; D8/396; D19/65, 78, 86;
24/3.11, 501, 67.7, 326, 552, 504; D11/78.1;
D28/40, 92

See application file for complete search history.

(56) **References Cited**

U.S. PATENT DOCUMENTS

D302,568 S *	8/1989	Berger	D19/65
D306,876 S *	3/1990	Greenhut et al.	D19/65
5,052,085 A *	10/1991	Gau	24/501
5,079,808 A *	1/1992	Brown	24/67.7
5,318,292 A *	6/1994	De Marco	24/3.11
D375,976 S *	11/1996	Marguerie	D19/65
D392,181 S *	3/1998	Bries et al.	D8/395
D393,878 S *	4/1998	Suzuki	D19/65
D394,080 S *	5/1998	Chan	D18/19
D406,167 S *	2/1999	Wolff	D19/65
D406,169 S *	2/1999	Wolff	D19/65
D428,921 S *	8/2000	Saylor et al.	D19/65
D445,834 S *	7/2001	Huang	D19/78

D454,056 S *	3/2002	Kung	D8/395
D455,339 S *	4/2002	Tsai	D8/395
D477,029 S *	7/2003	Korowitz	D19/78
D477,364 S *	7/2003	Tsai	D19/65
D478,628 S *	8/2003	Sheldon et al.	D19/65
D488,834 S *	4/2004	Mandel et al.	D19/65
D497,183 S *	10/2004	Chiu	D19/65
D506,783 S *	6/2005	Siegel	D19/65
D514,434 S *	2/2006	Mariano et al.	D8/395
D522,850 S *	6/2006	Mandel	D8/395
D525,117 S *	7/2006	Mariano et al.	D8/395
D529,375 S *	10/2006	Cetera	D8/395
D565,662 S *	4/2008	Reardon et al.	D19/65

* cited by examiner

Primary Examiner—Cathron C Brooks

Assistant Examiner—Austin Murphy

(74) *Attorney, Agent, or Firm*—Thomas I. Rozsa

(57) **CLAIM**

The ornamental design for a duplex clip, as shown and described.

DESCRIPTION

FIG. 1 is a perspective view of the duplex clip, showing my new design;

FIG. 2 is a top plan view;

FIG. 3 is bottom plan view;

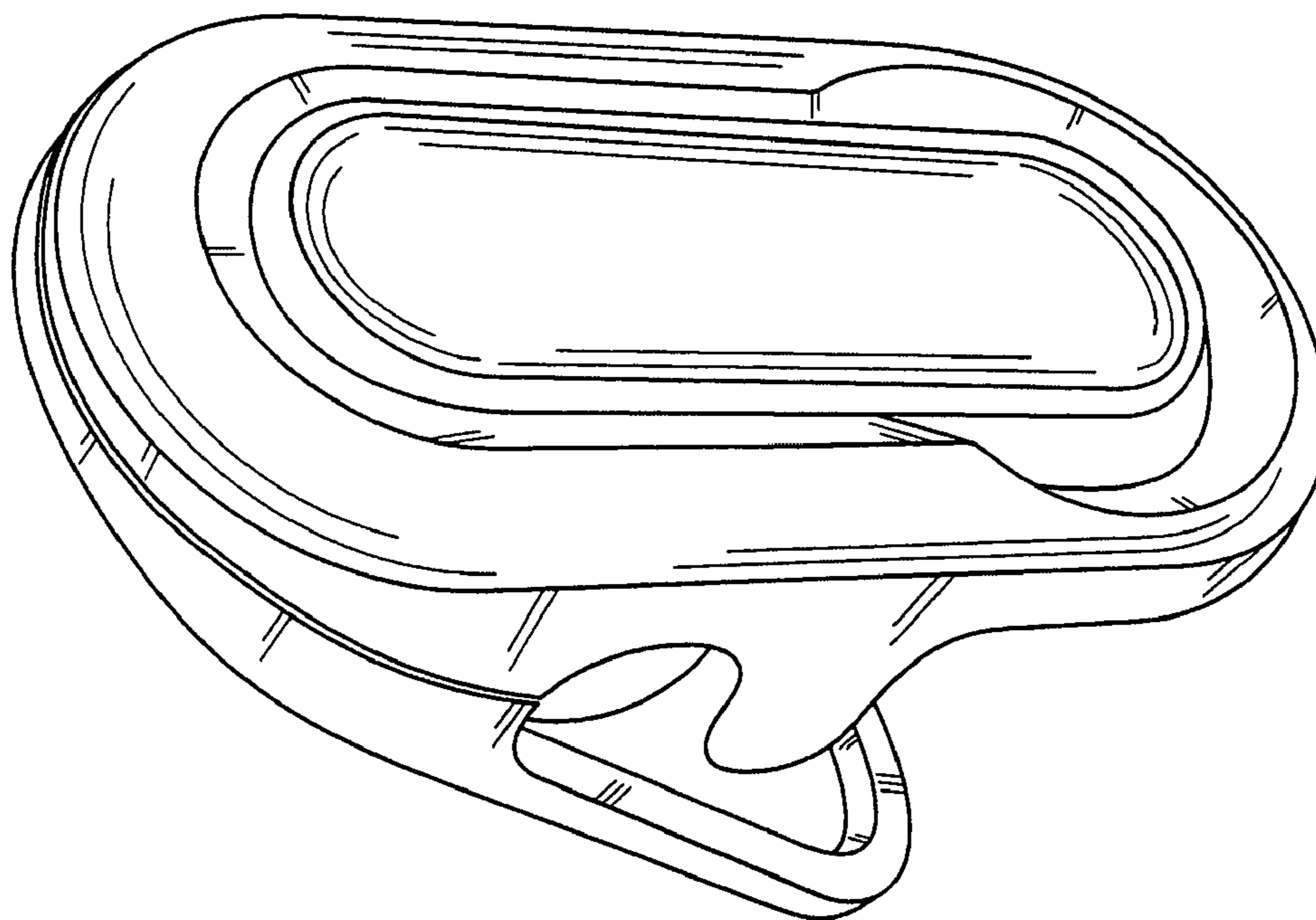
FIG. 4 is a front elevational view;

FIG. 5 is a rear elevational view;

FIG. 6 is a side view when viewed from the left side; and,

FIG. 7 is a side view when viewed from the right side.

1 Claim, 6 Drawing Sheets



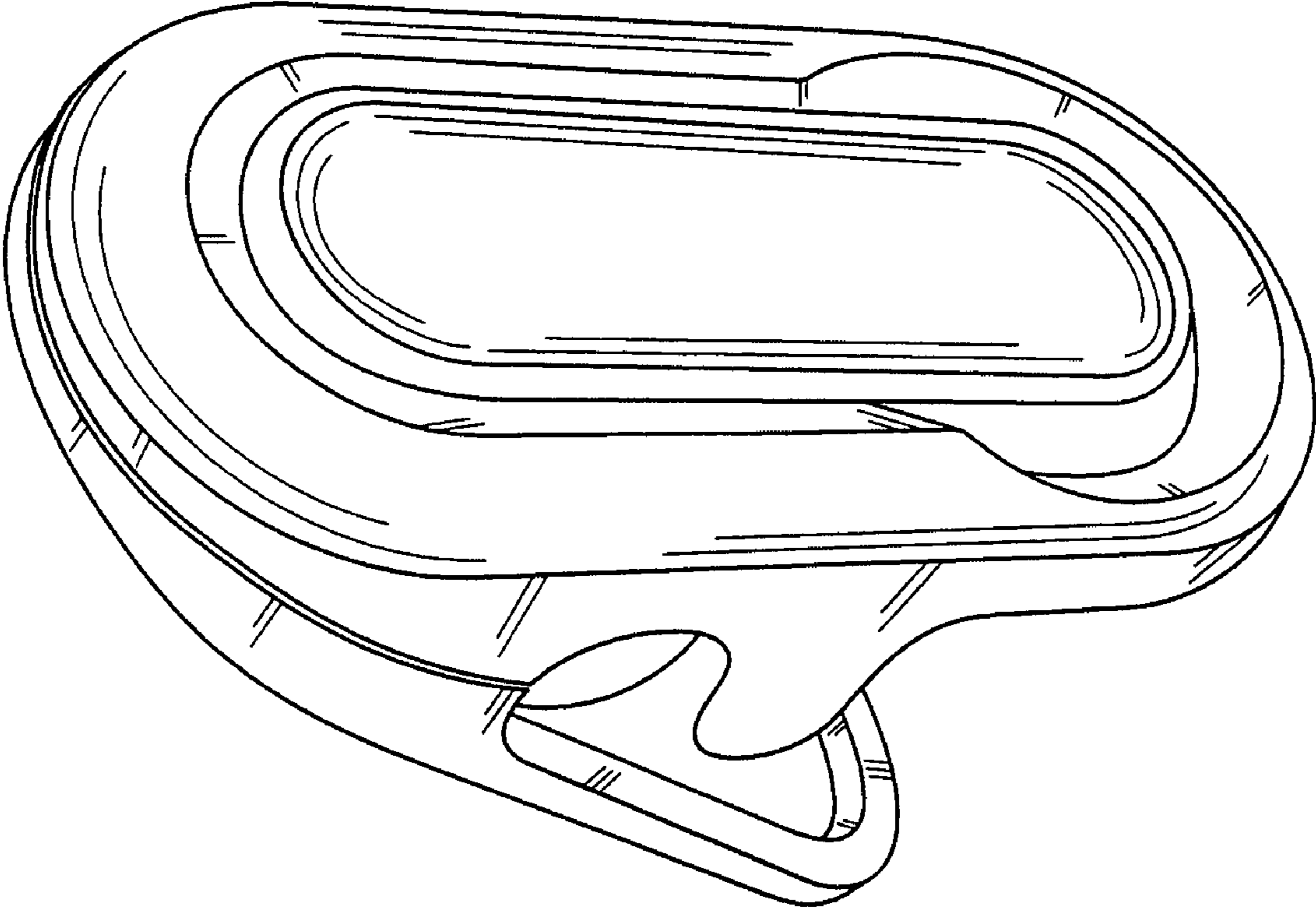


FIG. 1

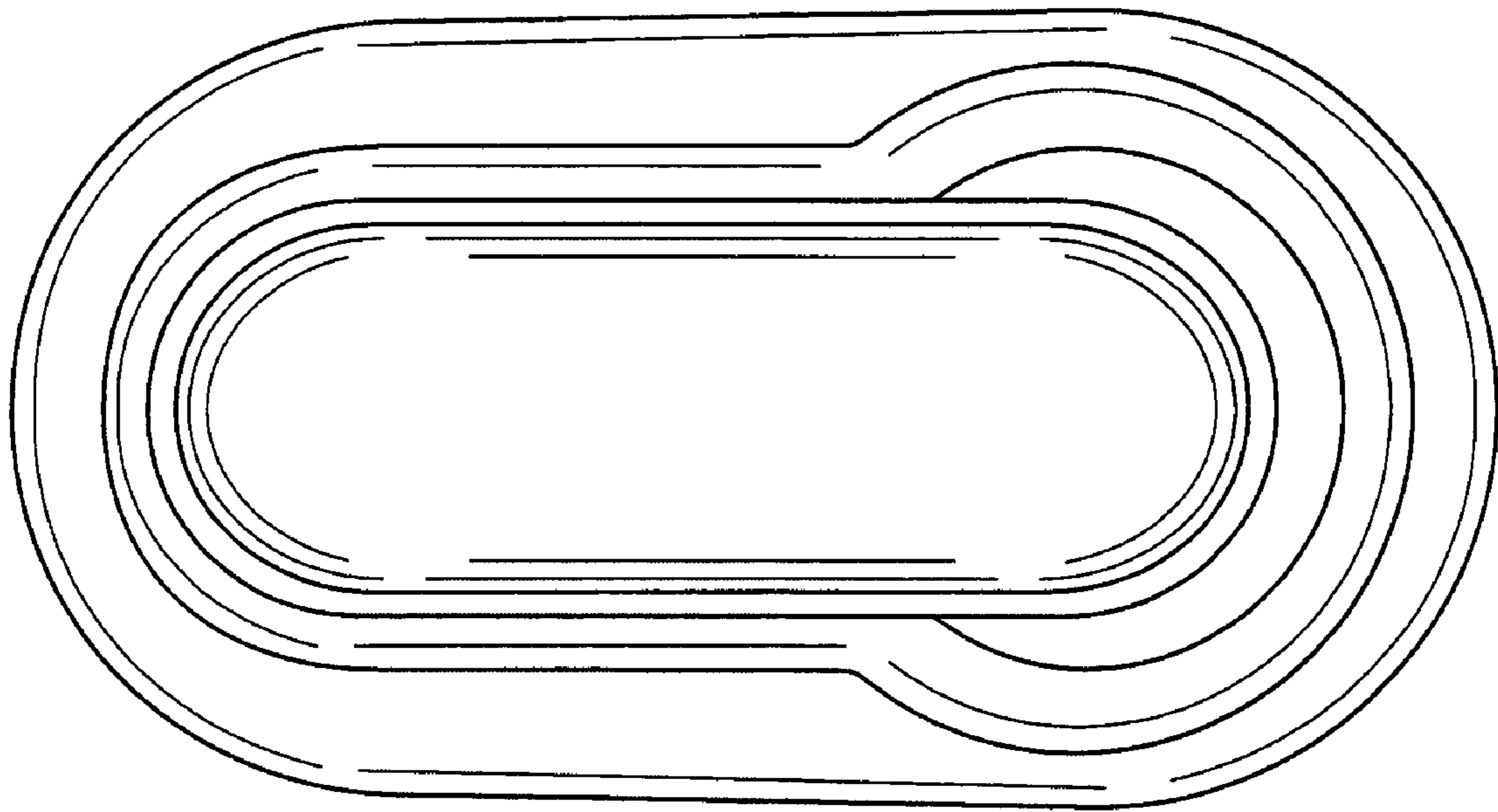


FIG. 2

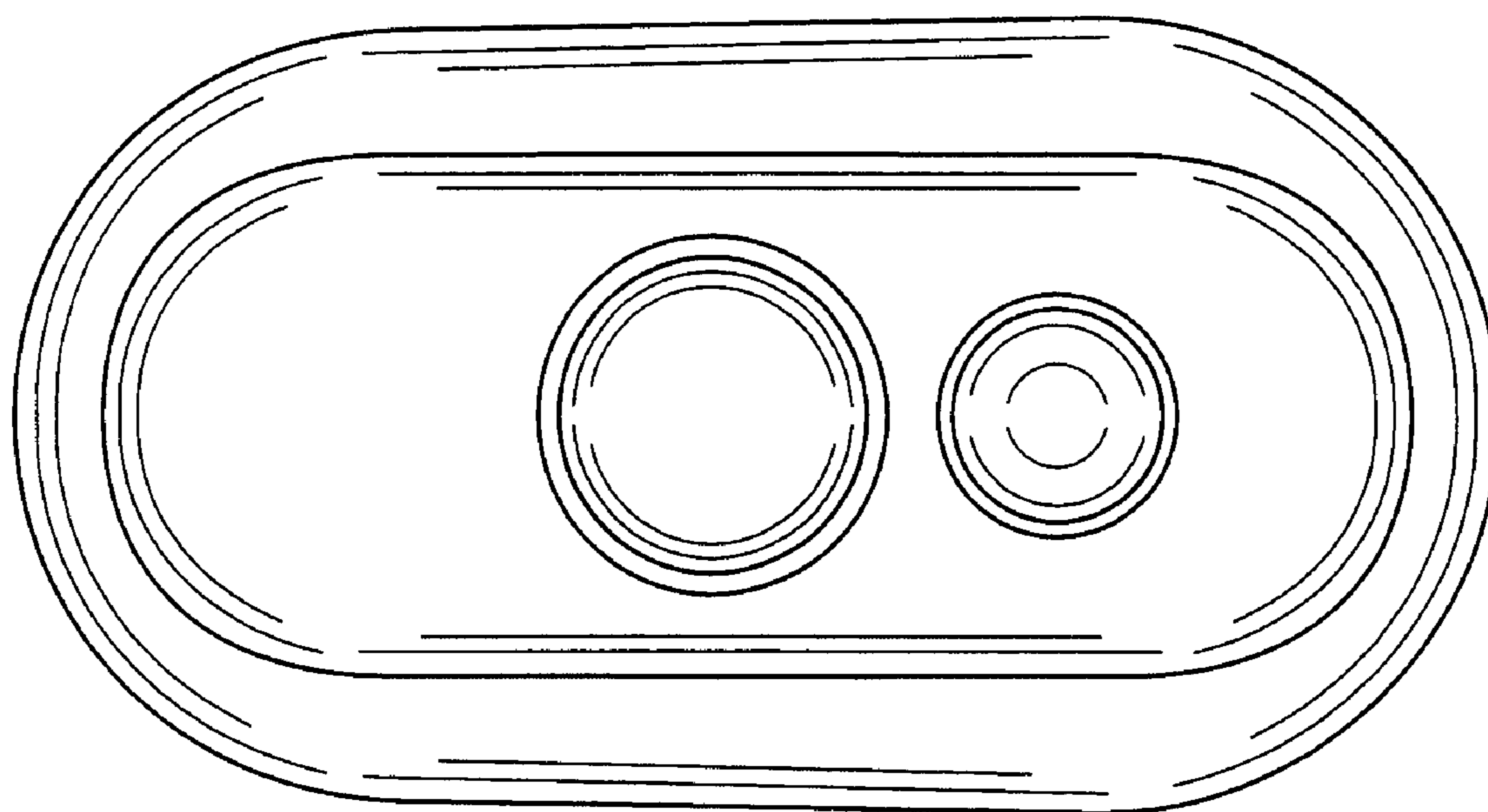


FIG. 3

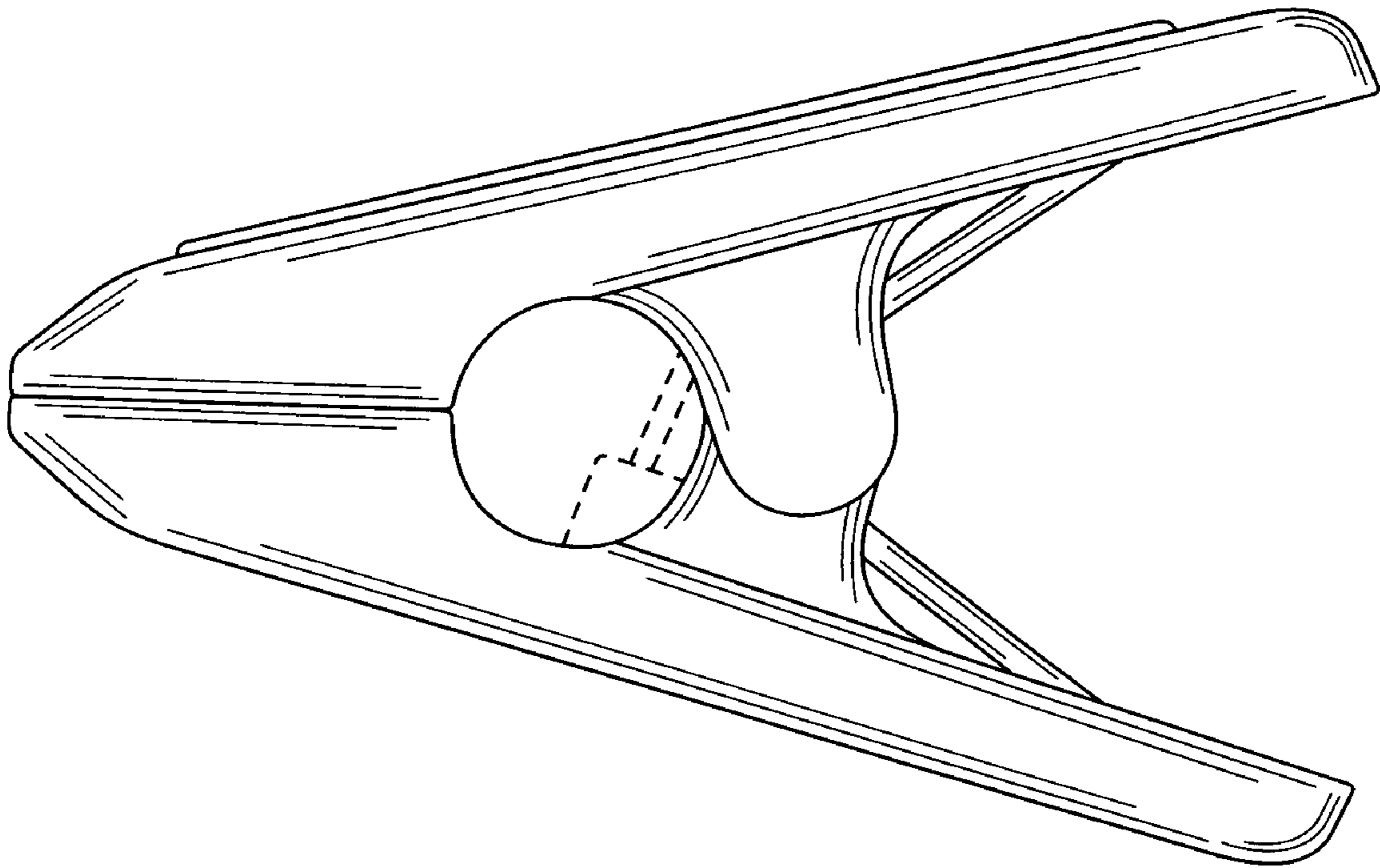


FIG. 4

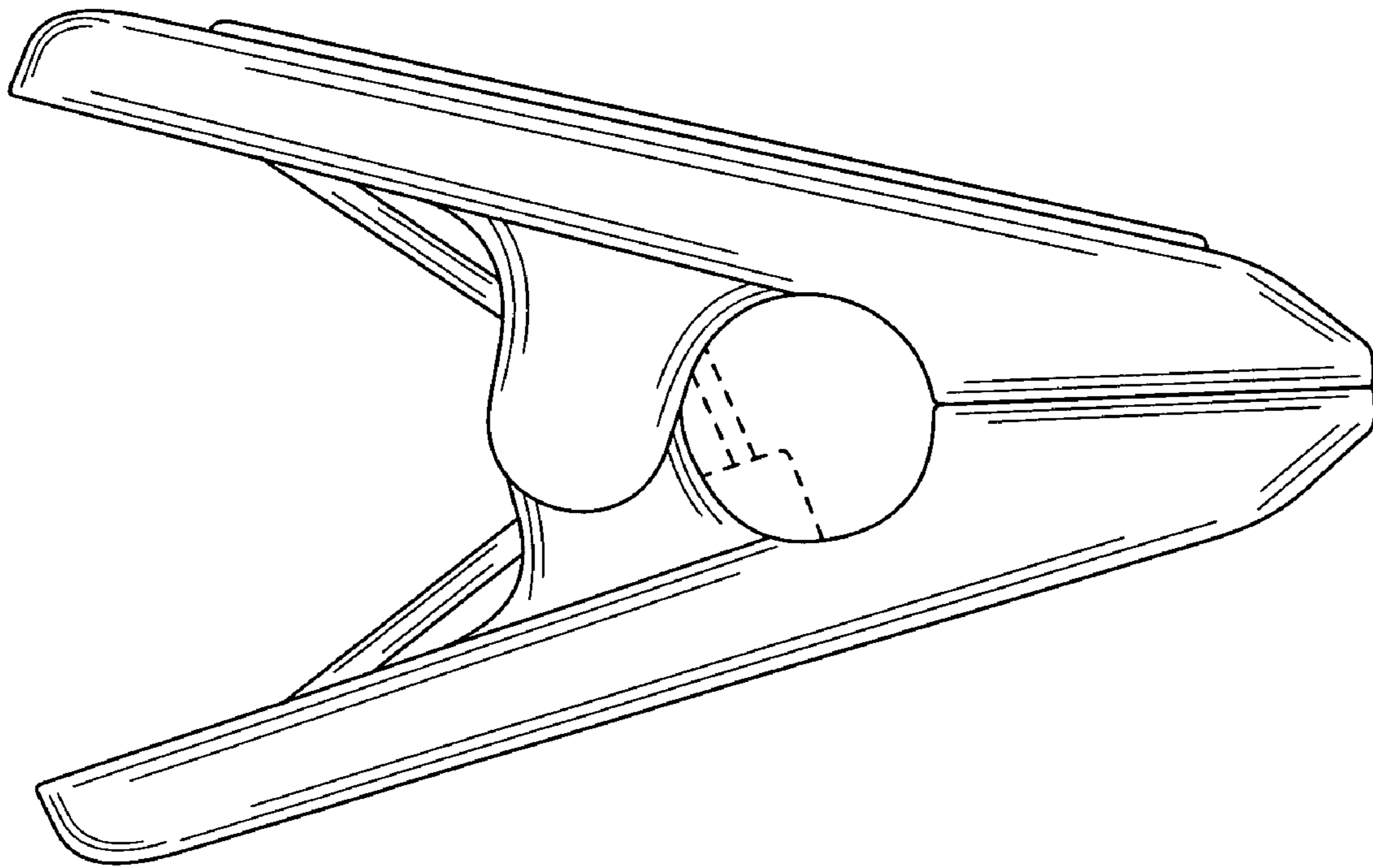


FIG. 5

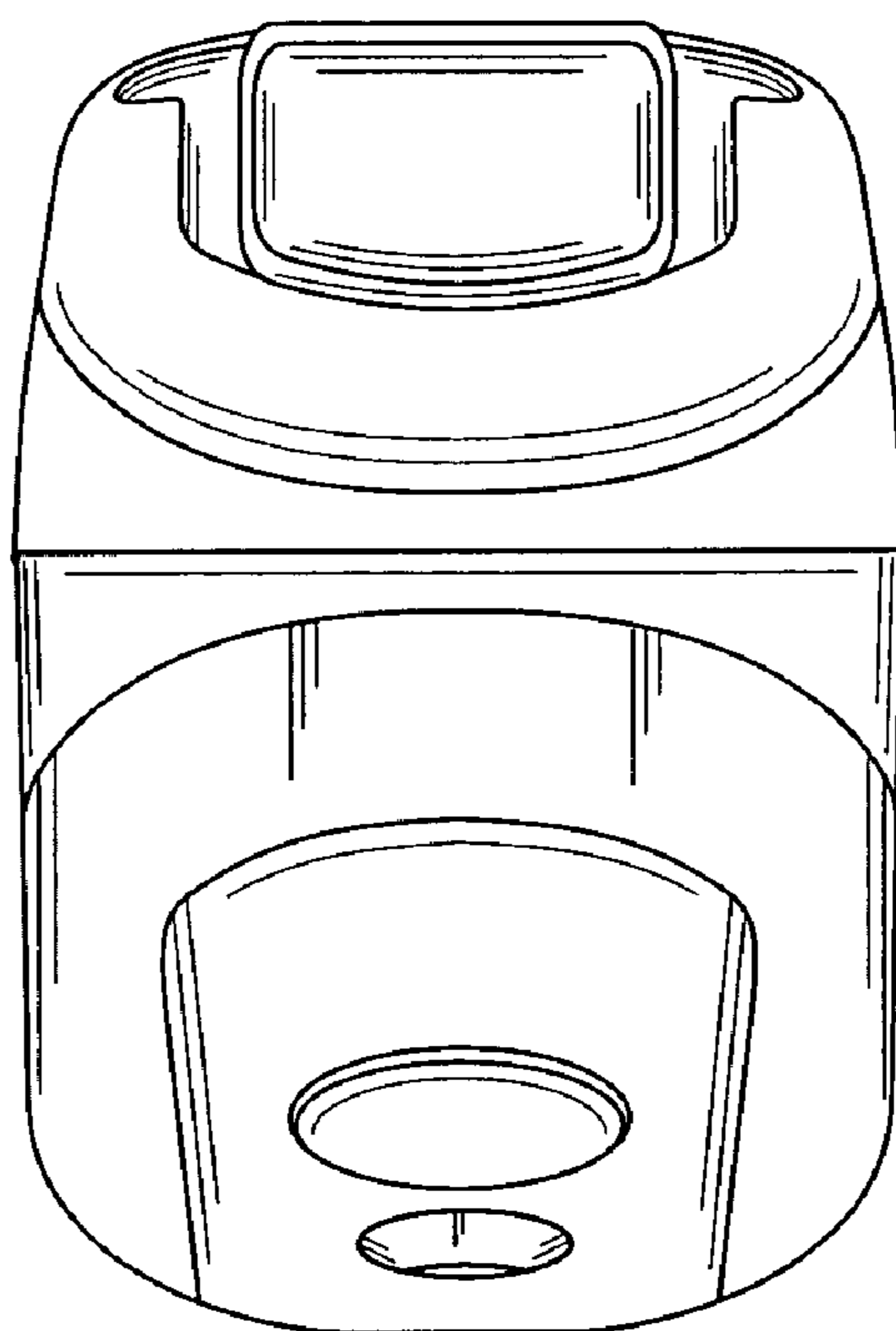


FIG. 6

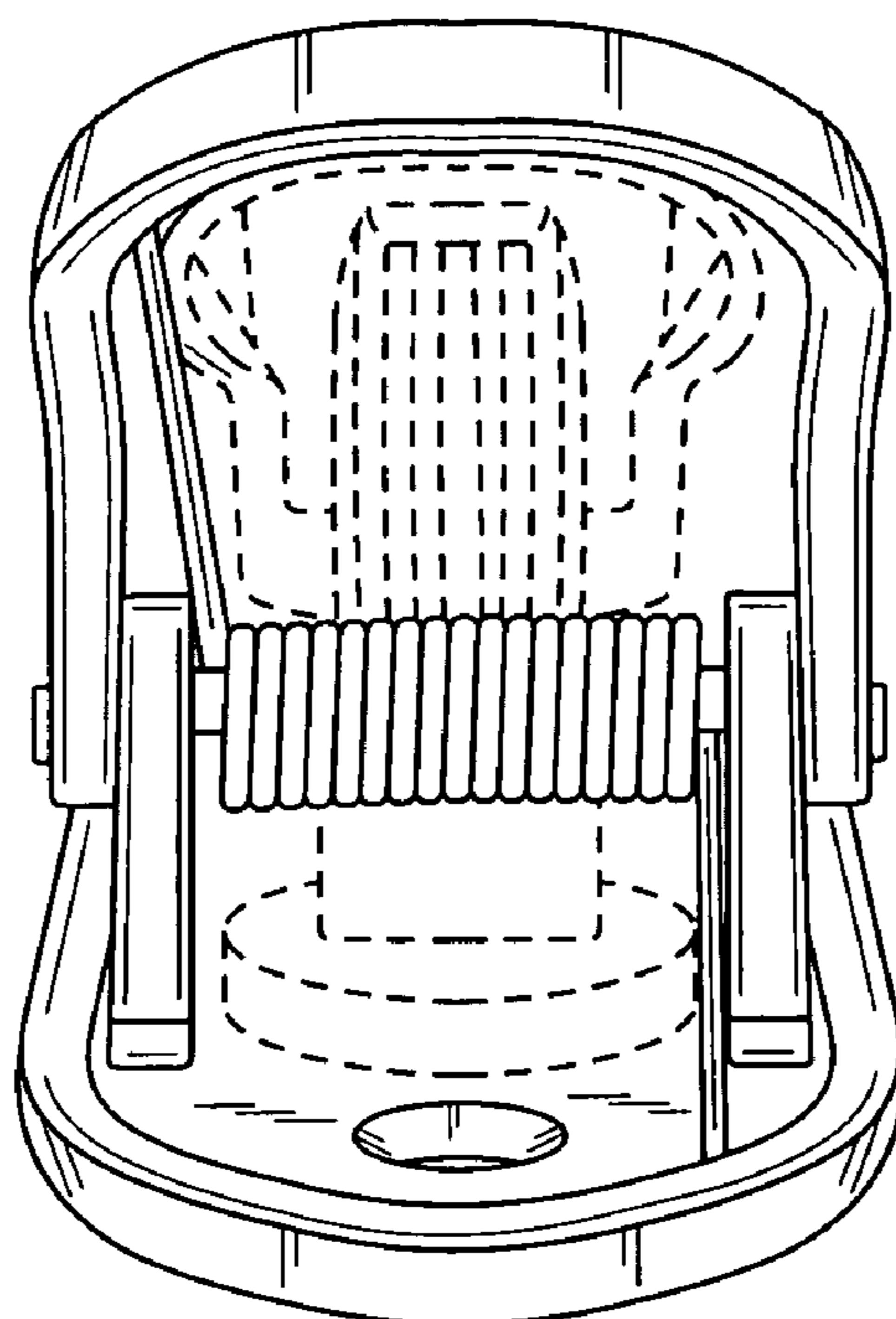


FIG. 7