

US00D593608S

(12) **United States Design Patent**
Urdarevik

(10) **Patent No.:** **US D593,608 S**
(45) **Date of Patent:** **** Jun. 2, 2009**

(54) **WELDING EDUCATIONAL DISPLAY**

D529,962 S * 10/2006 Nesenoff D19/62
D566,767 S * 4/2008 Urdarevik D19/62

(76) **Inventor:** **Slobodan Urdarevik**, 2750 Burnock Dr.,
Portage, MI (US) 49024

* cited by examiner

(**) **Term:** **14 Years**

Primary Examiner—Robert A. Delehanty
Assistant Examiner—Mark Cavanna

(21) **Appl. No.:** **29/297,285**

(22) **Filed:** **Nov. 8, 2007**

(57) **CLAIM**

(51) **LOC (9) Cl.** **19-07**

(52) **U.S. Cl.** **D19/62**

(58) **Field of Classification Search** D19/59-64;
D15/122, 144; 434/224, 365-430; 122/DIG. 16;
140/112; 219/121.13, 121.45, 121.63, 136,
219/617; D6/409, 509, 635

The ornamental design for welding educational display, as shown and described.

See application file for complete search history.

DESCRIPTION

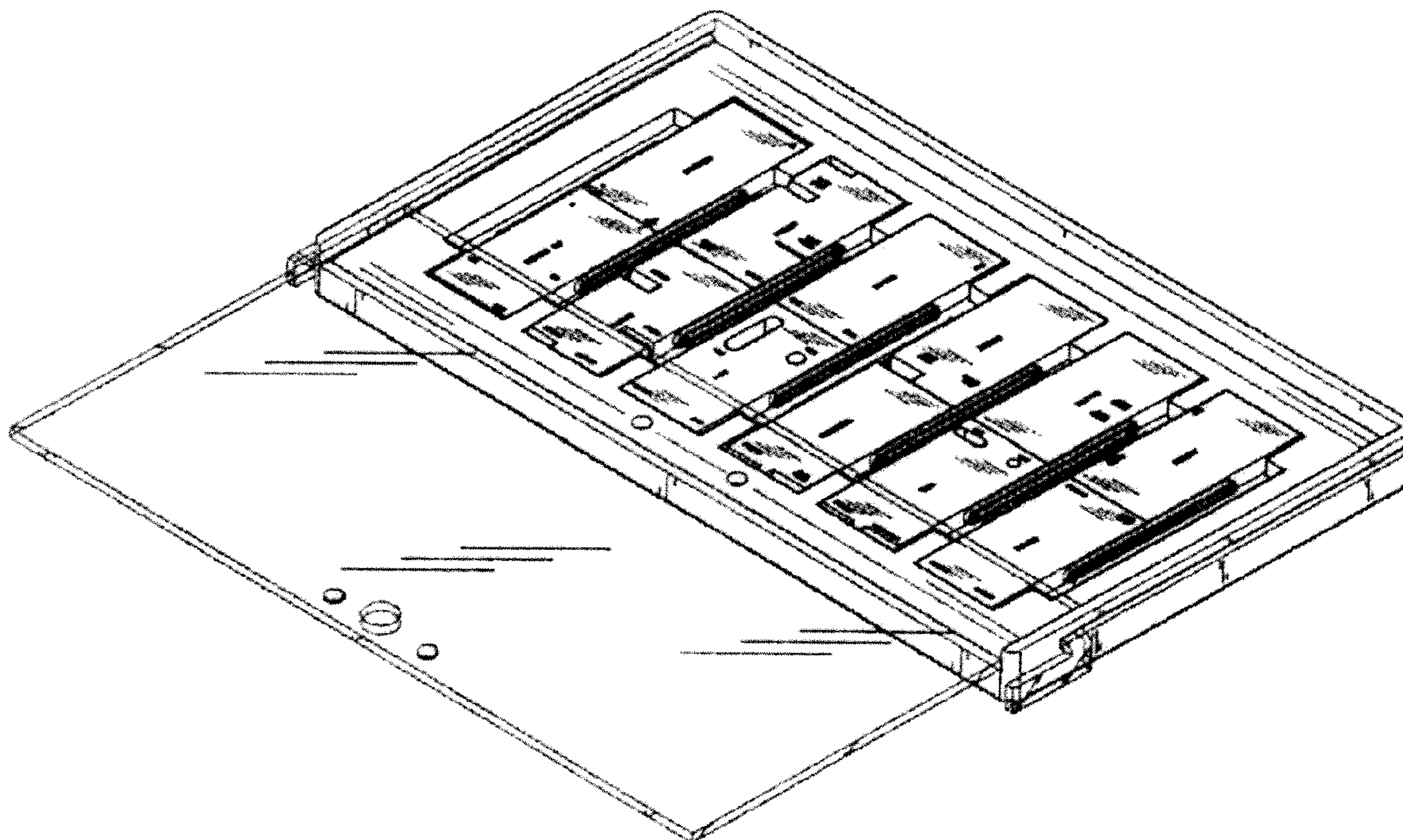
(56) **References Cited**

U.S. PATENT DOCUMENTS

3,277,589 A * 10/1966 Berdan et al. 434/224
D264,351 S * 5/1982 Dresens D19/59
4,332,568 A * 6/1982 Hyink 434/224
D286,060 S * 10/1986 Morey D19/62
D528,162 S * 9/2006 Lucas D19/62

FIG. 1 is a front perspective view of a welding educational display showing my new design;
FIG. 2 is a front view thereof;
FIG. 3 is a rear view thereof;
FIG. 4 is a left view thereof;
FIG. 5 is a right view thereof;
FIG. 6 is a top view thereof; and,
FIG. 7 is a bottom view thereof.

1 Claim, 7 Drawing Sheets



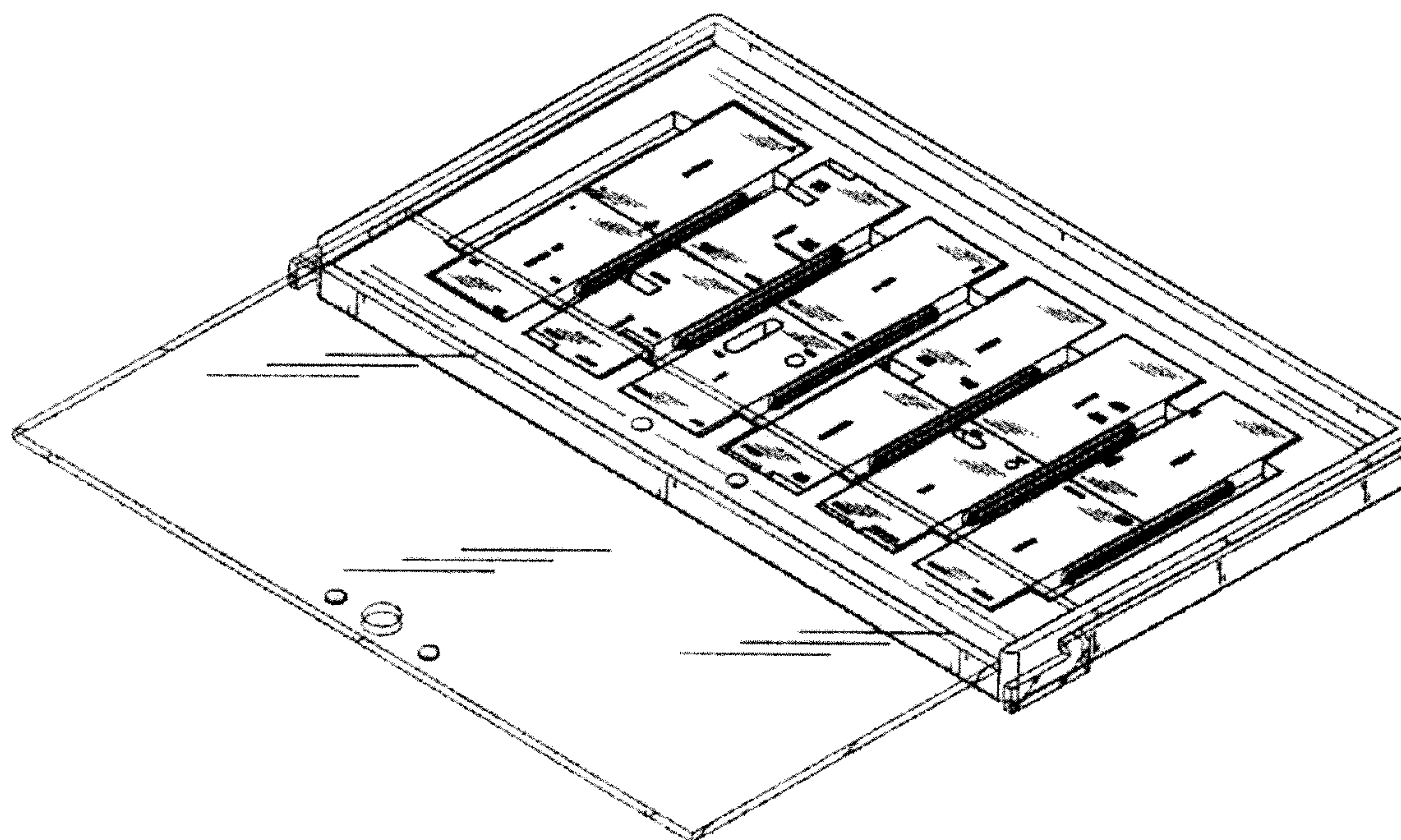


FIG.1

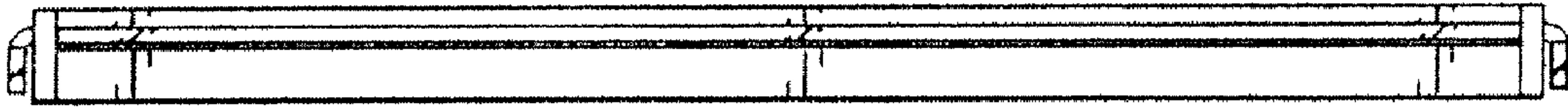


FIG.2

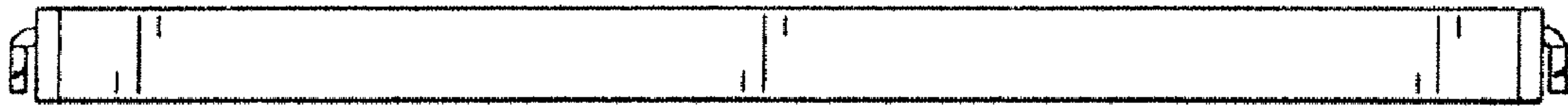


FIG.3

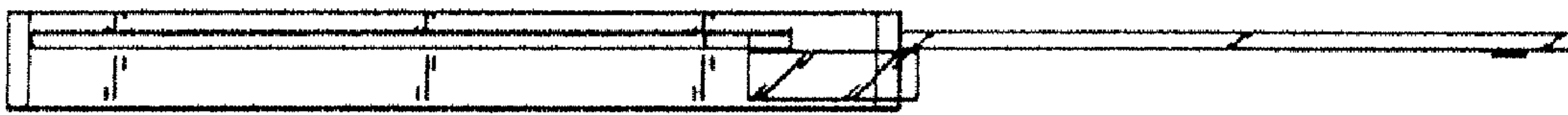


FIG.4

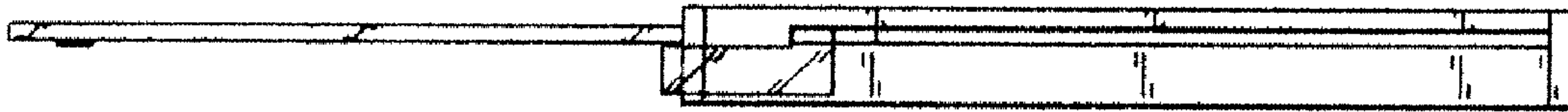


FIG.5

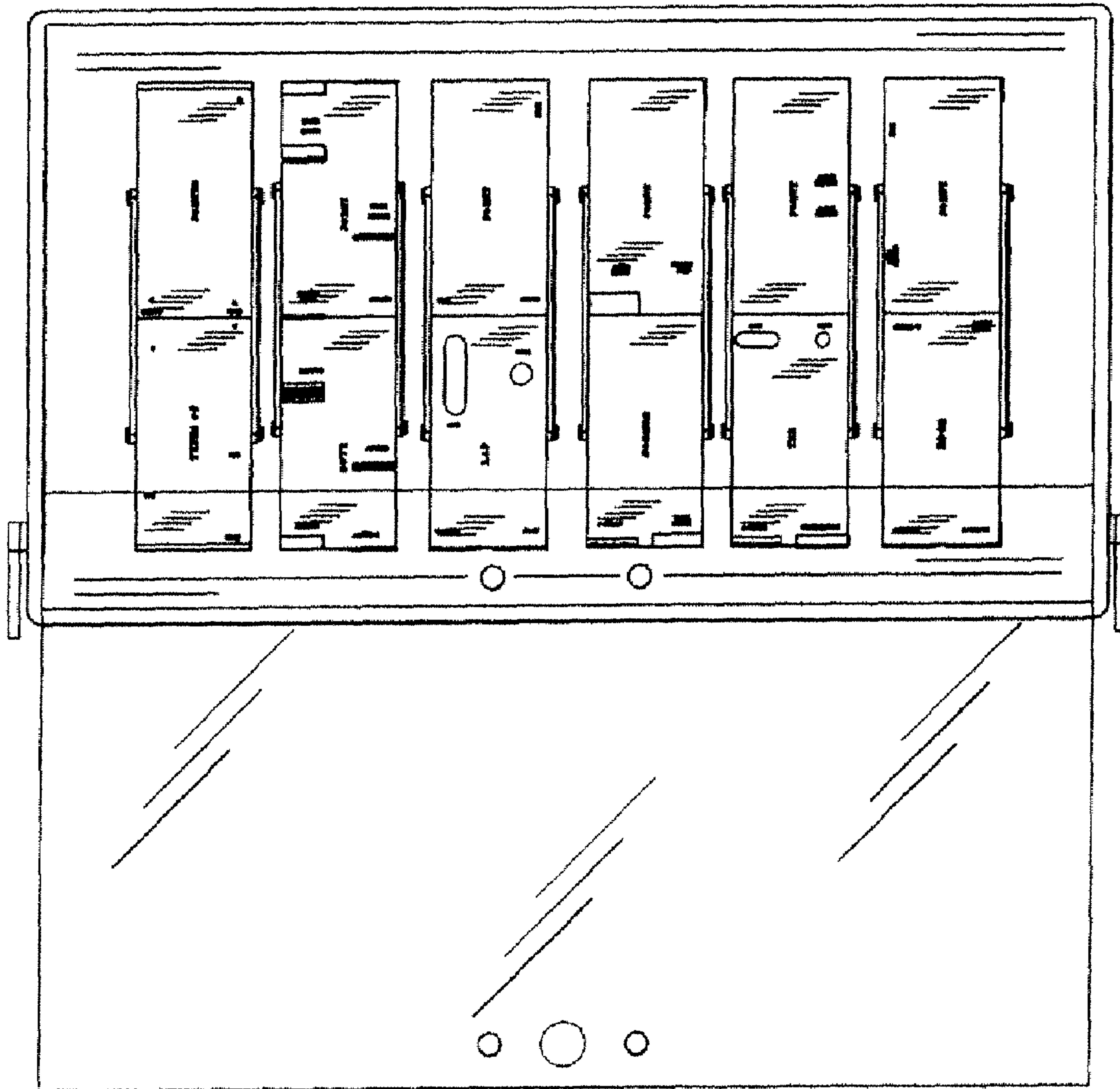


FIG.6

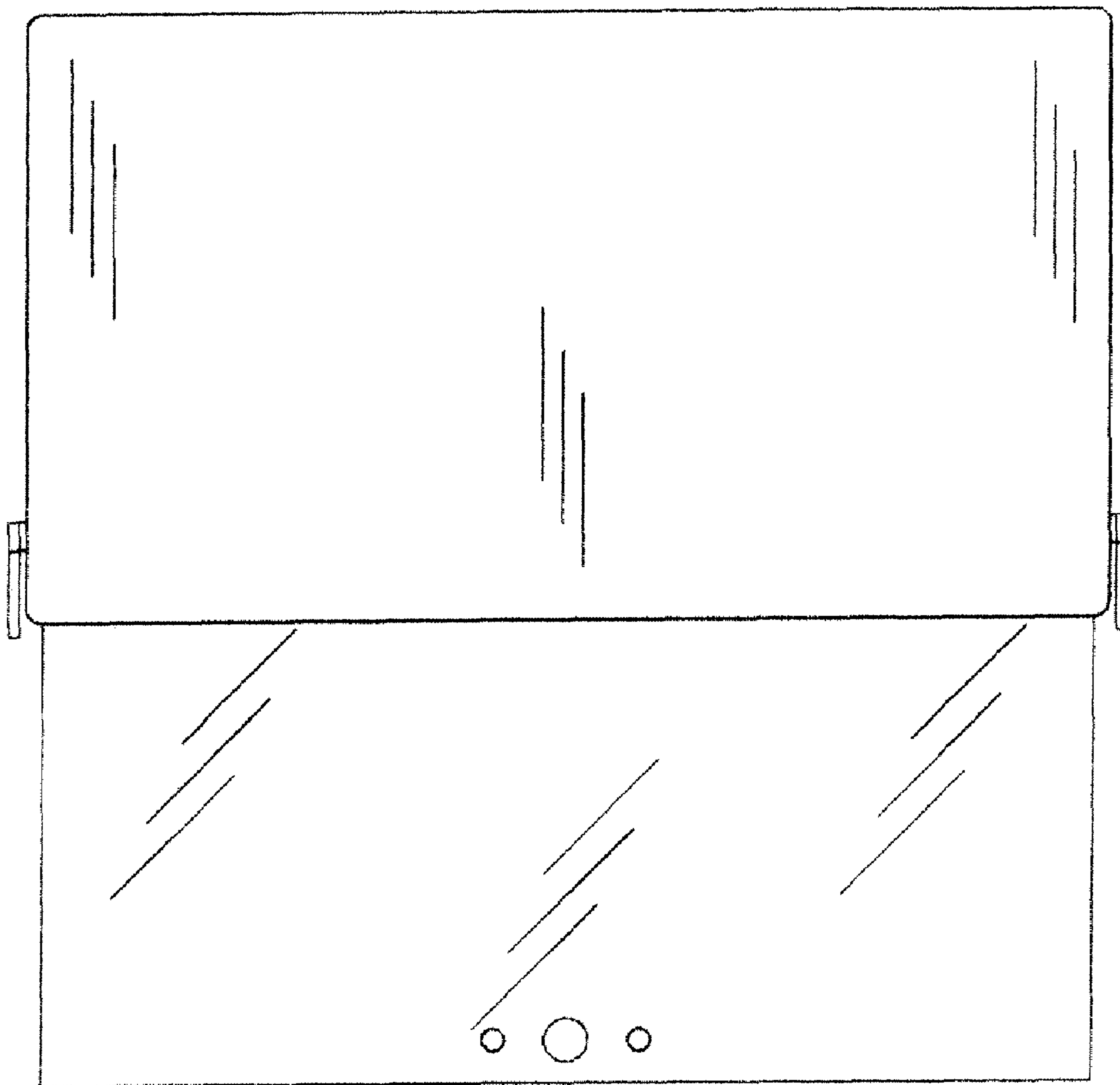


FIG.7