



US00D593599S

(12) **United States Design Patent**  
**Peterson et al.**

(10) **Patent No.:** **US D593,599 S**  
(45) **Date of Patent:** **\*\* Jun. 2, 2009**

(54) **TRIMMER**

(75) Inventors: **Michael E. Peterson**, Fairfield, CT (US); **P. Y. Gu**, Guangzhou (CN); **Javier Verdura**, Milford, CT (US)

(73) Assignee: **Acme United Corporation**, Fairfield, CT (US)

(\*\*) Term: **14 Years**

(21) Appl. No.: **29/281,584**

(22) Filed: **Jun. 26, 2007**

(51) **LOC (9) Cl.** ..... **18-04**

(52) **U.S. Cl.** ..... **D18/34.8**

(58) **Field of Classification Search** ..... D18/34.1-34.9;  
241/100, 236, 101.78; 83/613, 614, 623,  
83/57-68; 164/468; 30/294, 296.1, 275.4,  
30/276

See application file for complete search history.

(56) **References Cited**

**U.S. PATENT DOCUMENTS**

0,612,120	A	10/1898	Pierce	
0,417,693	A	12/1898	Wiegand	
0,791,793	A	6/1905	Johnson	
0,909,227	A	1/1909	Ridgely	
0,957,409	A	5/1910	Brening	
1,376,747	A	5/1921	Dorr	
4,046,044	A	9/1977	Paterson	
4,685,366	A	8/1987	Beder	
5,027,684	A	7/1991	Neukam	
D319,840	S *	9/1991	Hatsumi et al.	D18/34.8
5,069,097	A	12/1991	Mori	
5,322,001	A	6/1994	Boda	
D377,368	S *	1/1997	Rellinger	D18/34.8
D379,193	S *	5/1997	Cornell	D18/34.8
5,671,647	A	9/1997	Mori	

(Continued)

**FOREIGN PATENT DOCUMENTS**

DE 1743938 4/1957

DE	42097778	1/1993
DE	20207589	9/2002
EP	0893212	1/1999
EP	0933172 B1	3/2004
FR	2724340 A1	3/1996
GB	1143254	2/1969
GB	2040207	8/1980
KR	200428871 Y1	10/2006

*Primary Examiner*—Charles A Rademaker  
(74) *Attorney, Agent, or Firm*—Whyte Hirschboeck Dudek SC

(57) **CLAIM**

The ornamental design for a trimmer, as shown and described.

**DESCRIPTION**

This application is related to U.S. patent application Ser. No. 60/946,316 filed Jun. 26, 2007 which is hereby incorporated by reference.

FIG. 1 is a top perspective view of a trimmer showing our new design;

FIG. 2 is an end elevation thereof;

FIG. 3 is a right side elevation thereof;

FIG. 4 is a top plan view thereof;

FIG. 5 is a bottom plan view thereof;

FIG. 6 is a top perspective view thereof shown in an open position;

FIG. 7 is an end elevation thereof;

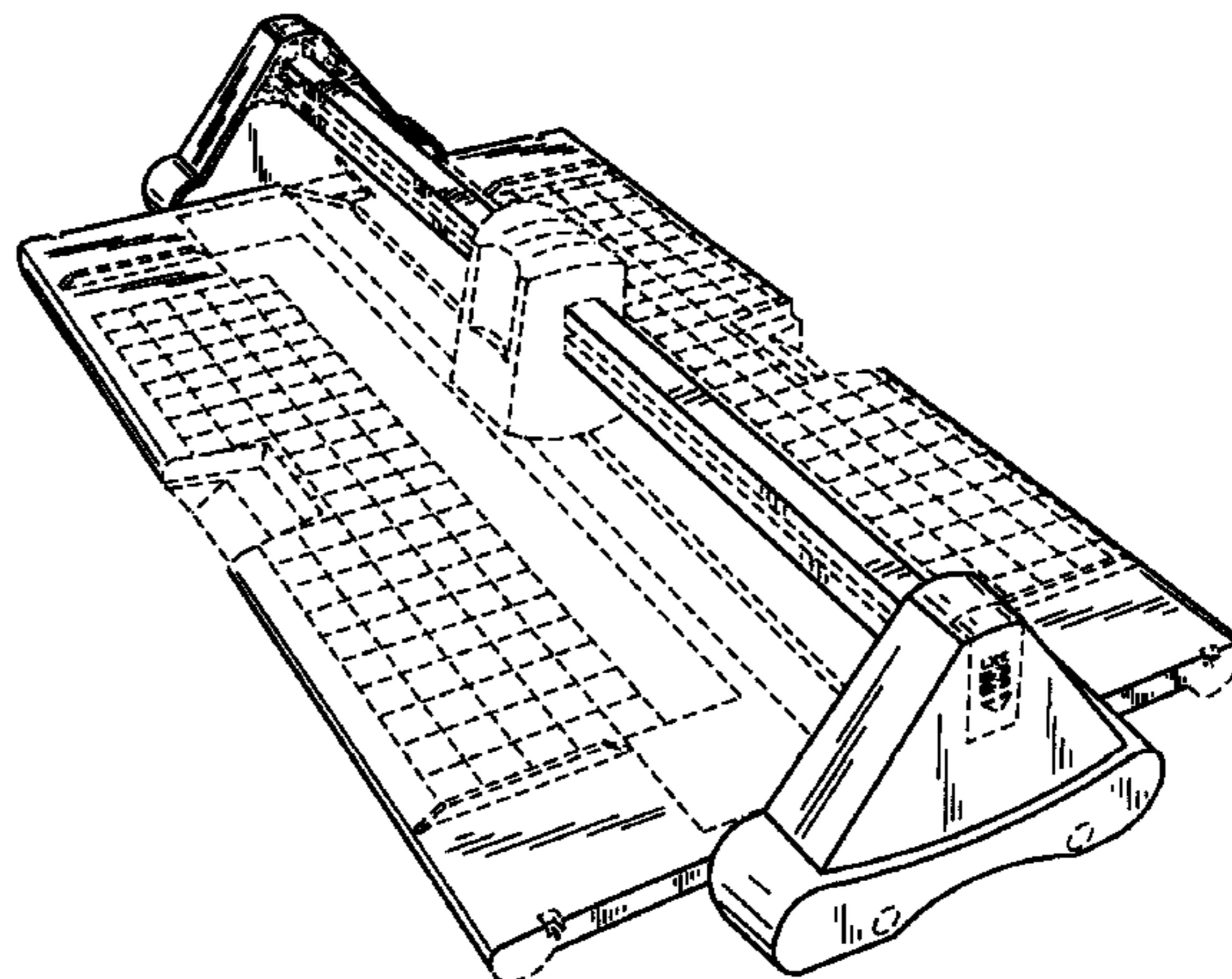
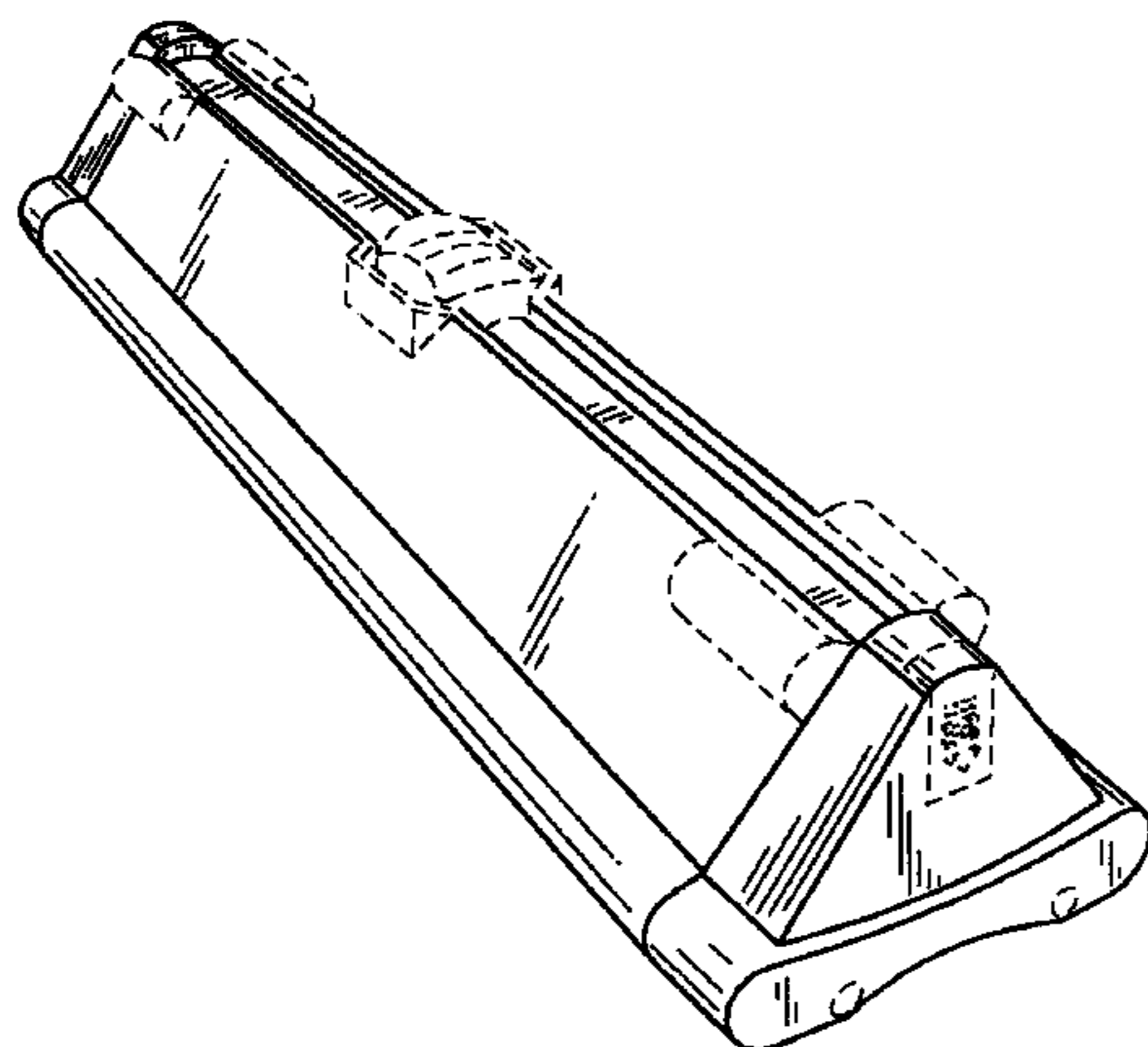
FIG. 8 is a right side elevation thereof;

FIG. 9 is a top plan view thereof; and,

FIG. 10 is a bottom plan view thereof.

The broken lines shown in the drawings represent environmental structure and form no part of the claim.

**1 Claim, 6 Drawing Sheets**



# US D593,599 S

Page 2

---

## U.S. PATENT DOCUMENTS

D388,819 S *	1/1998	Huen	.....	D18/34.5	D536,367 S *	2/2007	Gunter et al.	.....	D18/34.9
5,711,077 A	1/1998	Schulz			D543,583 S *	5/2007	Workman et al.	.....	D18/34.3
D412,716 S *	8/1999	Kroger	.....	D18/34.5	7,299,731 B2 *	11/2007	Schulz	.....	83/614
D417,693 S	12/1999	Daley, Jr.			D559,304 S *	1/2008	Lam et al.	.....	D18/34.8
5,996,459 A	12/1999	Cornell			D559,307 S *	1/2008	Lam et al.	.....	D18/34.9
D425,548 S *	5/2000	Rellinger	.....	D18/34.8	2002/0096031 A1	7/2002	Yang		
6,098,515 A	8/2000	Daley, Jr.			2003/0140757 A1	7/2003	Carlson		
6,460,443 B1	10/2002	Hsiao			2003/0140761 A1	7/2003	Schulz		
6,540,451 B1	4/2003	Mori			2003/0154835 A1	8/2003	Nunex		
D528,590 S *	9/2006	Bathard et al.	.....	D18/34.8	2005/0028663 A1	2/2005	Volfson		
D534,204 S *	12/2006	Workman et al.	.....	D18/34.3					

\* cited by examiner

FIG. 1

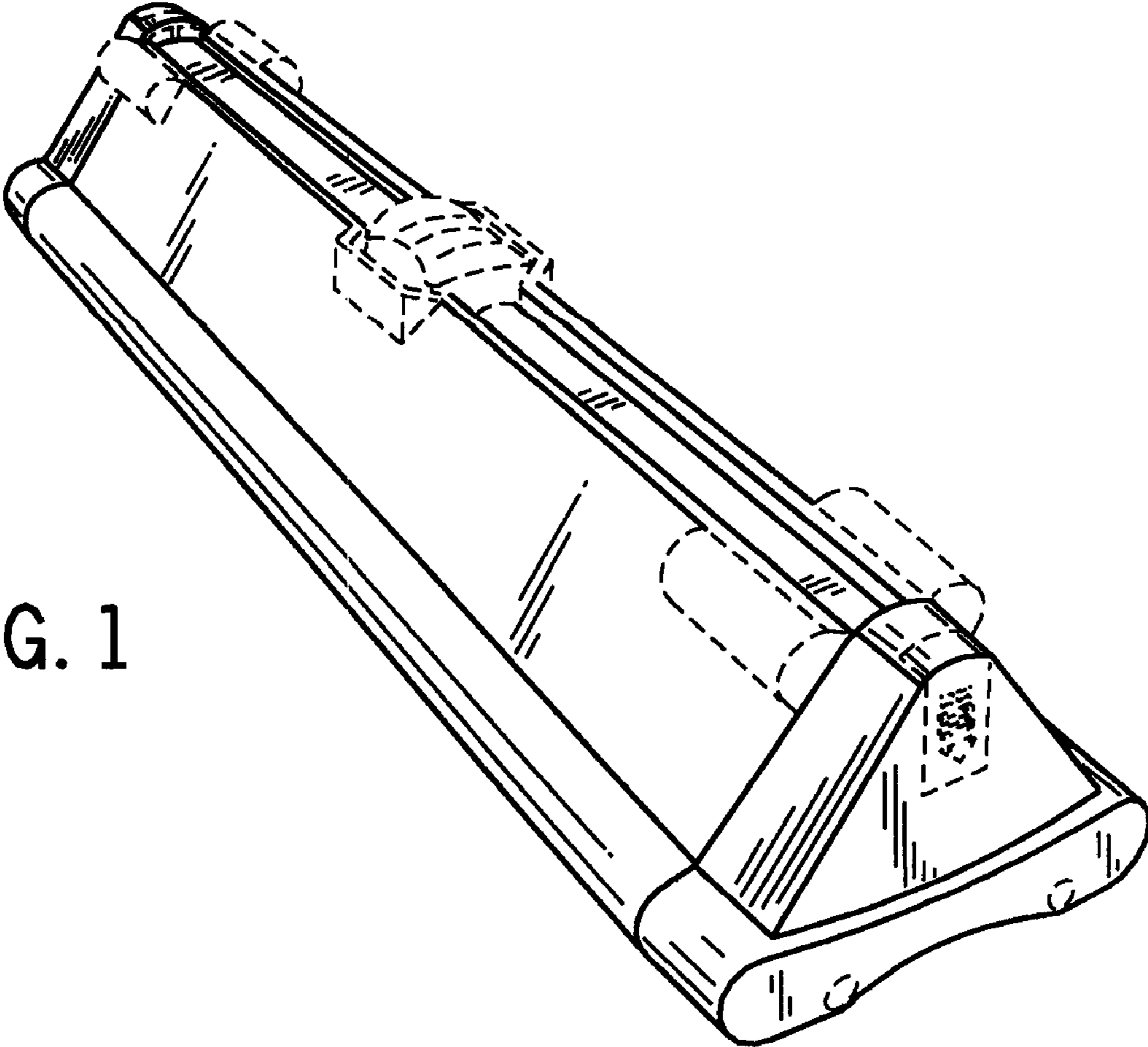
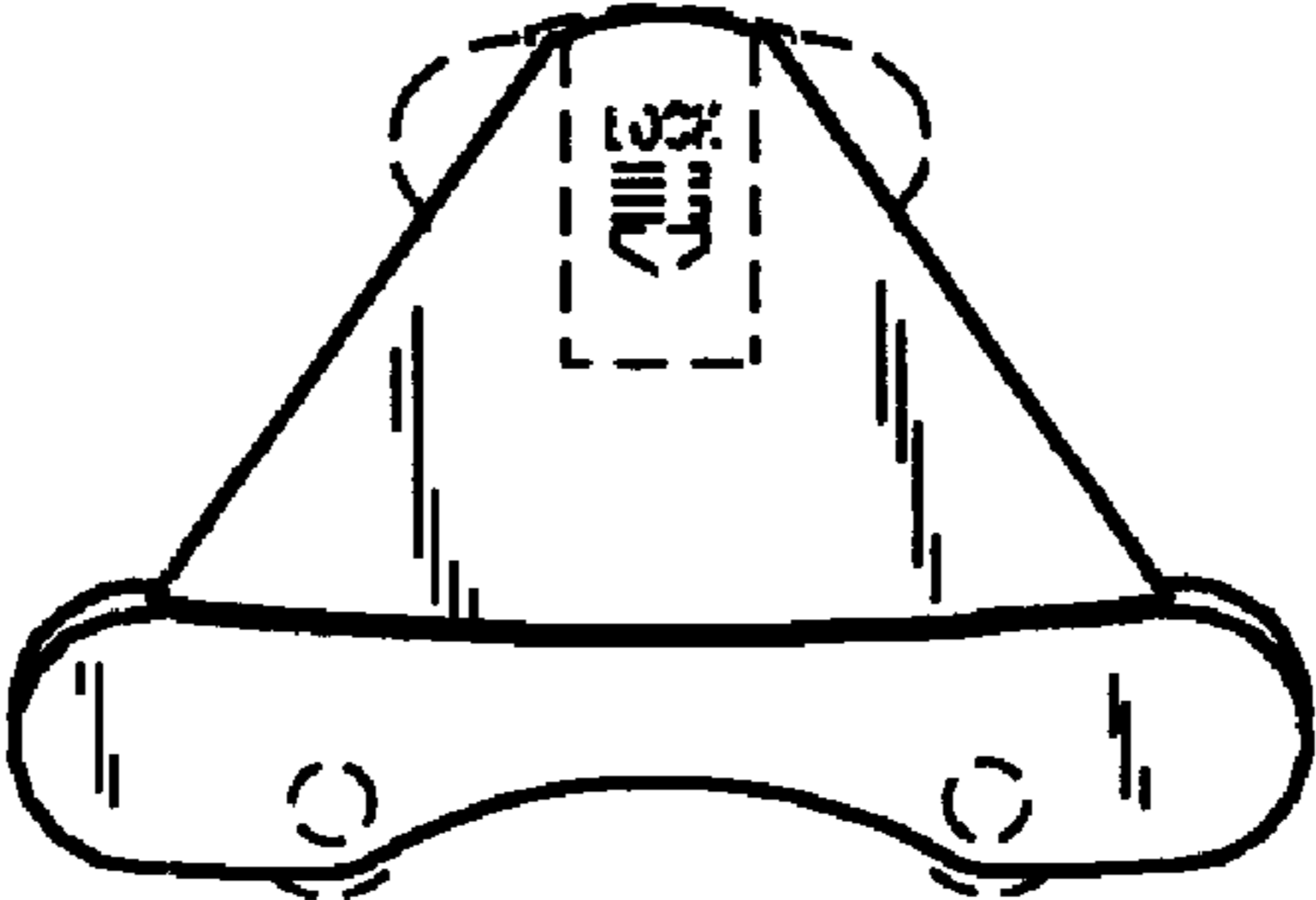


FIG. 2



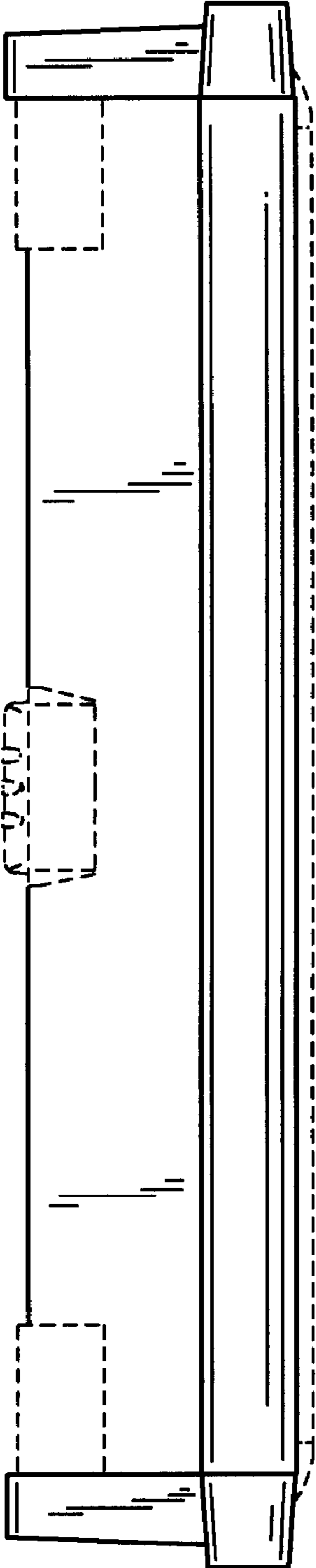


FIG. 3

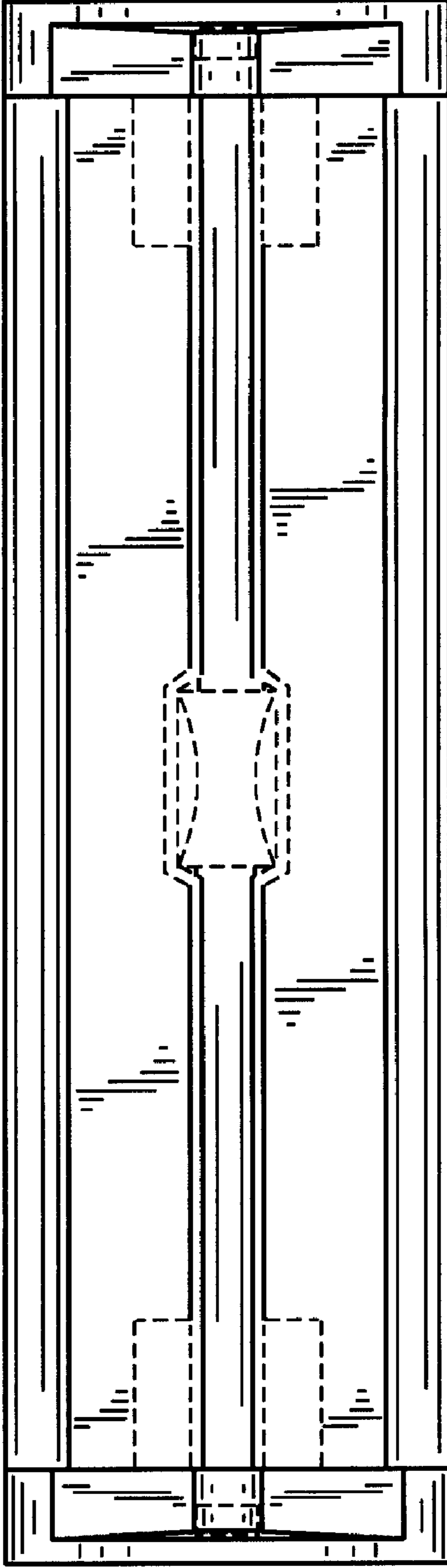


FIG. 4

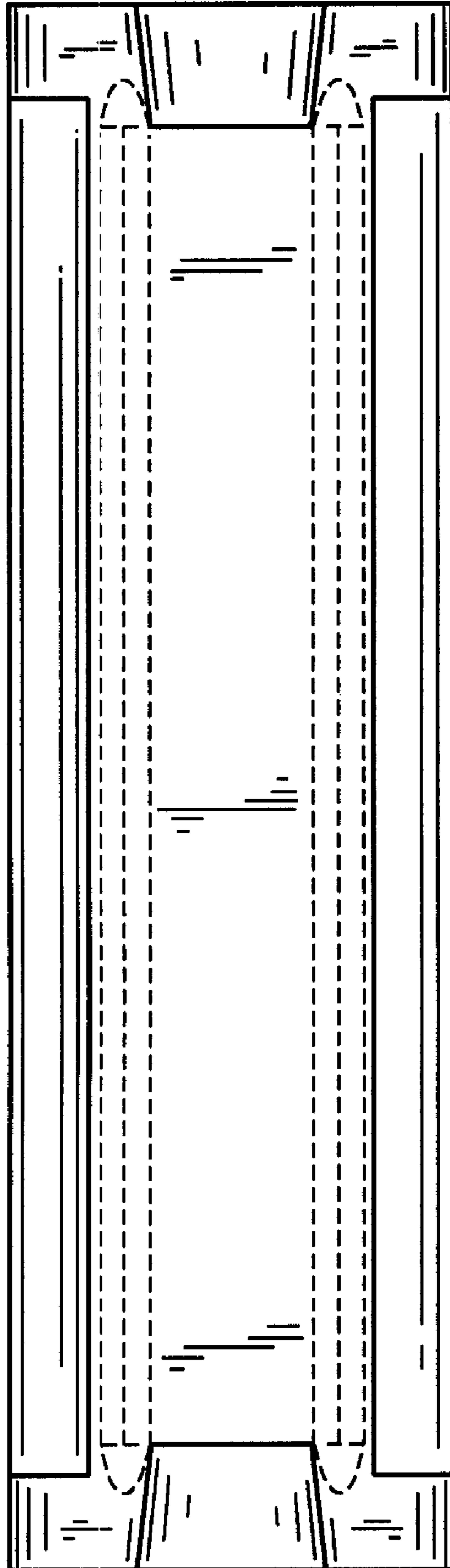


FIG. 5

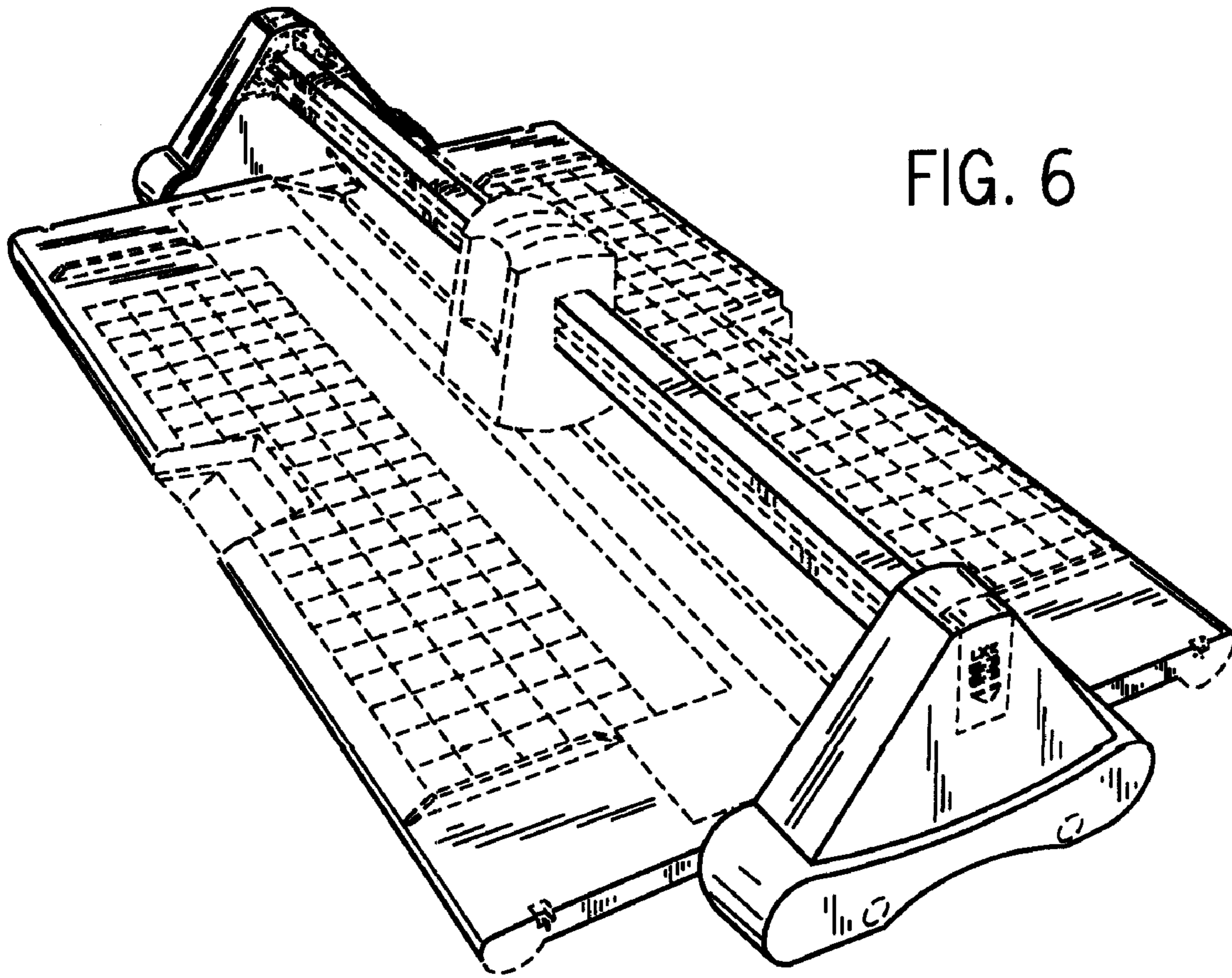


FIG. 6

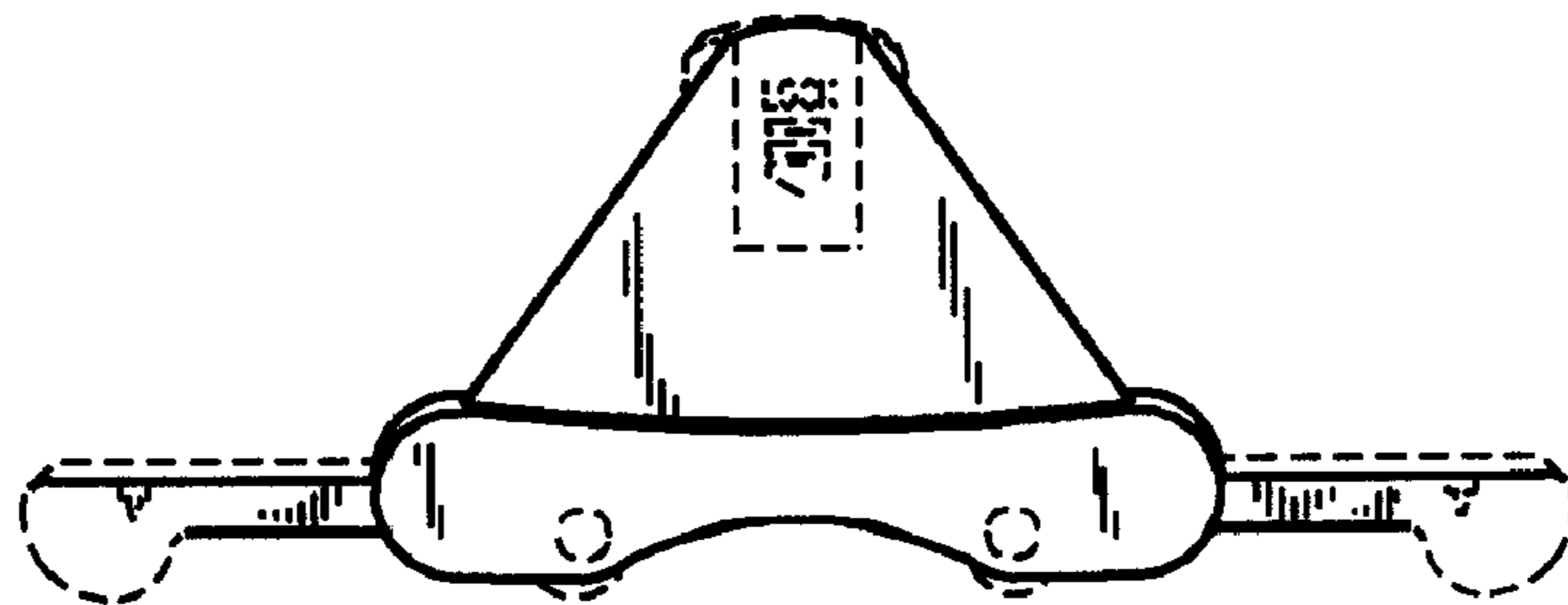


FIG. 7

FIG. 8

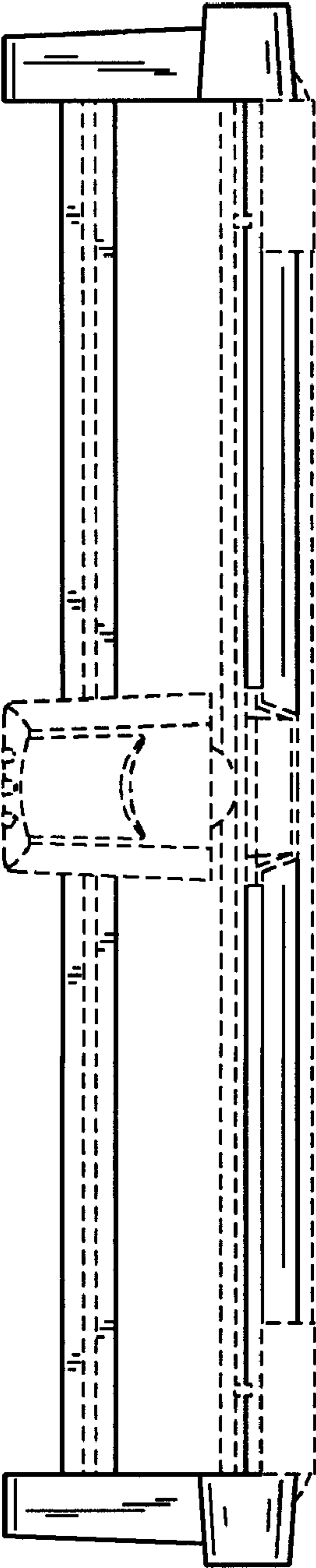
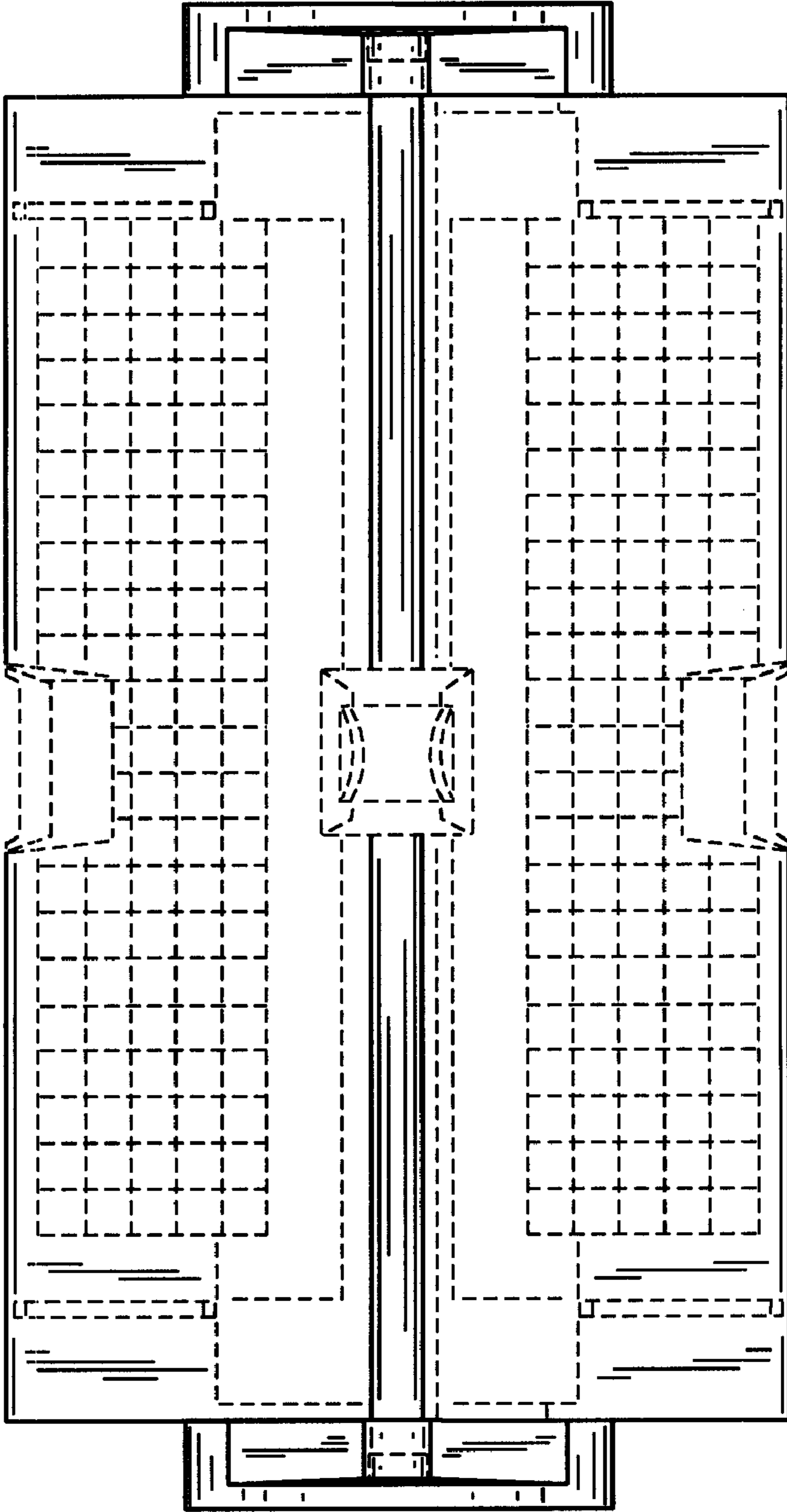


FIG. 9



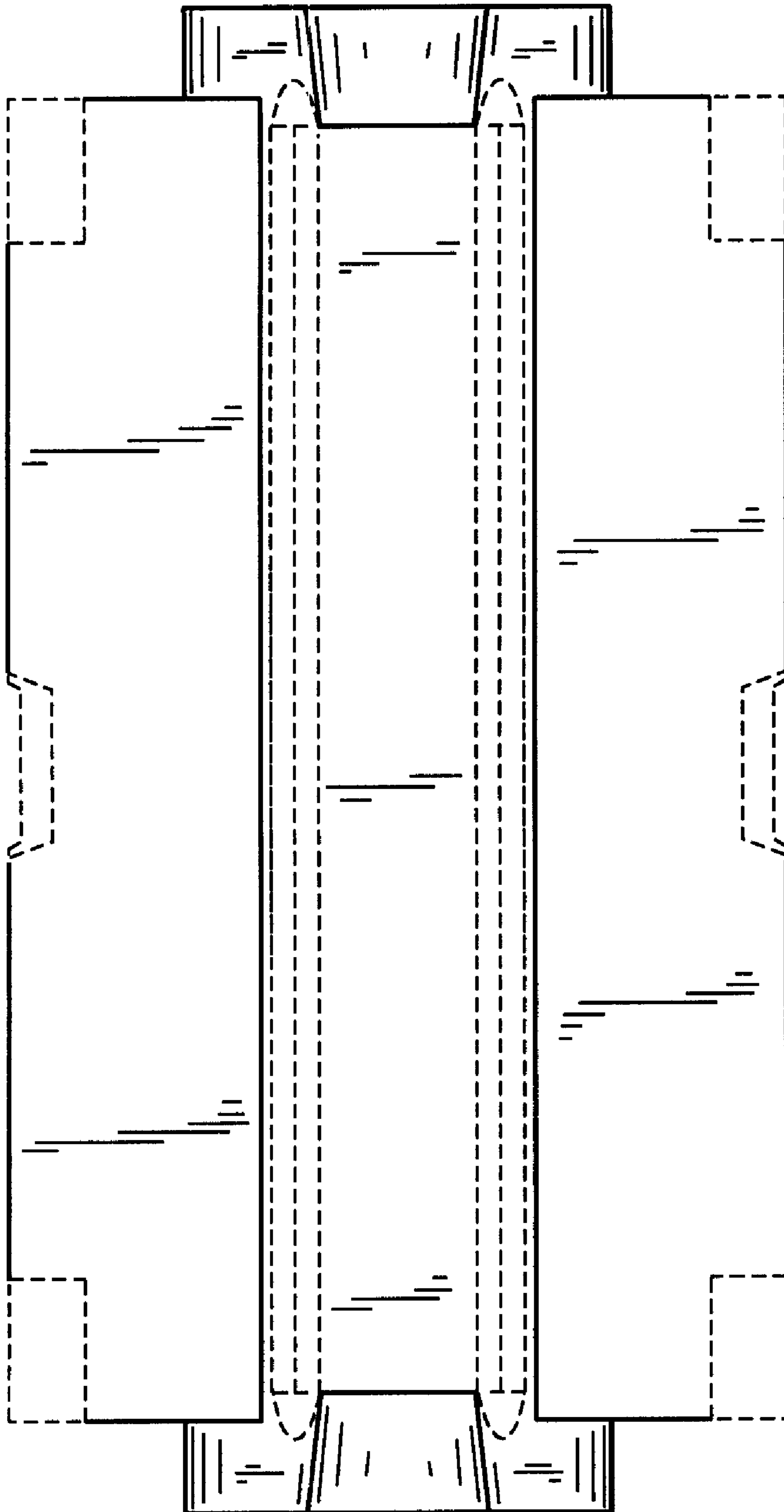


FIG. 10