



US00D593595S

(12) **United States Design Patent**
Kubota et al.

(10) **Patent No.:** **US D593,595 S**
(45) **Date of Patent:** **** Jun. 2, 2009**

(54) **INK RIBBON CARTRIDGE FOR THERMAL TRANSFER PRINTER**

(75) Inventors: **Tsuyoshi Kubota**, Minamikoma-gun (JP); **Daisuke Kaneoya**, Minamikoma-gun (JP)

(73) Assignee: **Nisca Kabushiki Kaisha**, Yamanashi (JP)

(**) Term: **14 Years**

(21) Appl. No.: **29/293,691**

(22) Filed: **Dec. 7, 2007**

(30) **Foreign Application Priority Data**

Sep. 11, 2007 (JP) 2007-024686

(51) **LOC (9) Cl.** **18-01**

(52) **U.S. Cl.** **D18/12**

(58) **Field of Classification Search** D14/462, D14/471, 474-477, 481-484; D18/12, 36, D18/40, 43, 44, 56; 222/DIG. 1; 347/49, 347/214, 222; 399/24-27, 107-111; 400/194, 400/196, 205, 207, 242

See application file for complete search history.

(56) **References Cited**

U.S. PATENT DOCUMENTS

D216,225 S * 12/1969 Grupp D14/481
3,614,012 A * 10/1971 Edelman et al. 242/345

D270,914 S * 10/1983 Nader D18/44
D357,696 S * 4/1995 Lucas et al. D18/12
D453,180 S * 1/2002 Matsumoto et al. D18/12
D467,265 S * 12/2002 Suzuki et al. D18/40
D537,105 S * 2/2007 Obenshain et al. D18/12
D544,536 S * 6/2007 Motoki et al. D18/56
2005/0212898 A1 * 9/2005 Lee 347/222

* cited by examiner

Primary Examiner—Caron Veynar

Assistant Examiner—Garth Rademaker

(74) *Attorney, Agent, or Firm*—Day Pitney LLP

(57) **CLAIM**

The ornamental design for an ink ribbon cartridge for thermal transfer printer, as shown and described.

DESCRIPTION

FIG. 1 is a front elevation view of an ink ribbon cartridge for thermal transfer printer;

FIG. 2 is a right-side elevation view thereof;

FIG. 3 is a left-side elevation view thereof;

FIG. 4 is a top plan view thereof;

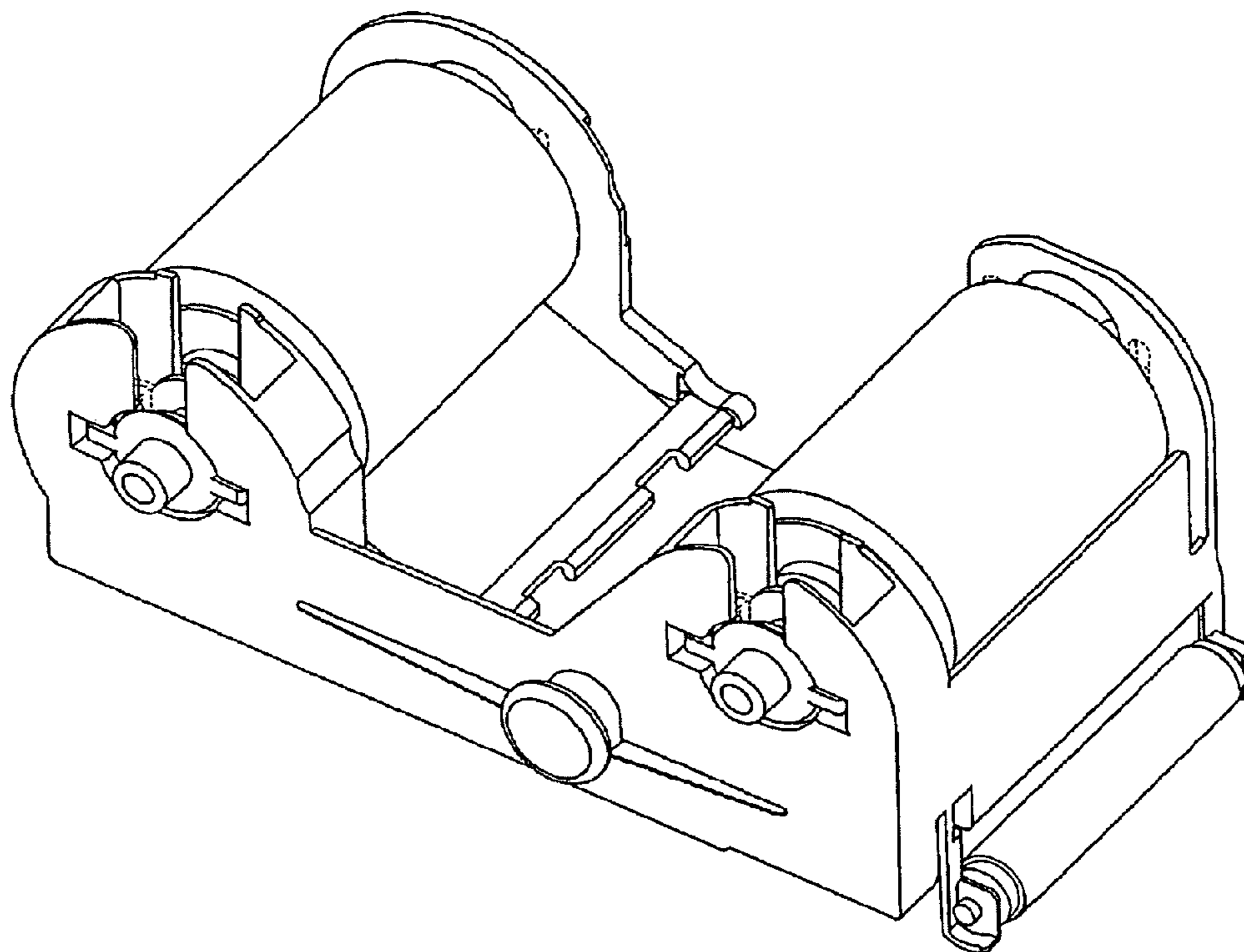
FIG. 5 is a bottom plan view thereof;

FIG. 6 is a back elevation view thereof; and,

FIG. 7 is a perspective view thereof.

The broken line areas in the drawings show environmental subject matter and form no part of the claimed design.

1 Claim, 7 Drawing Sheets



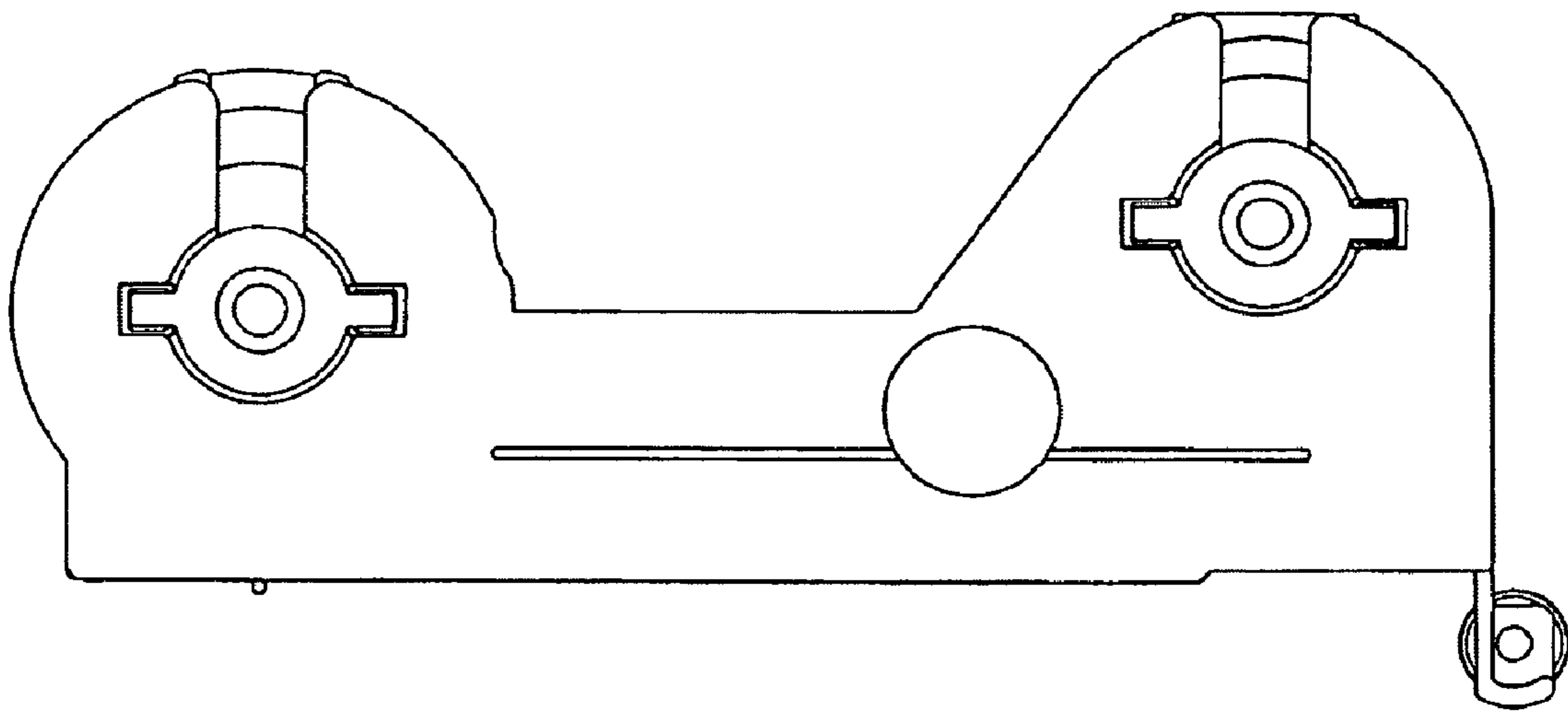


FIG. 1

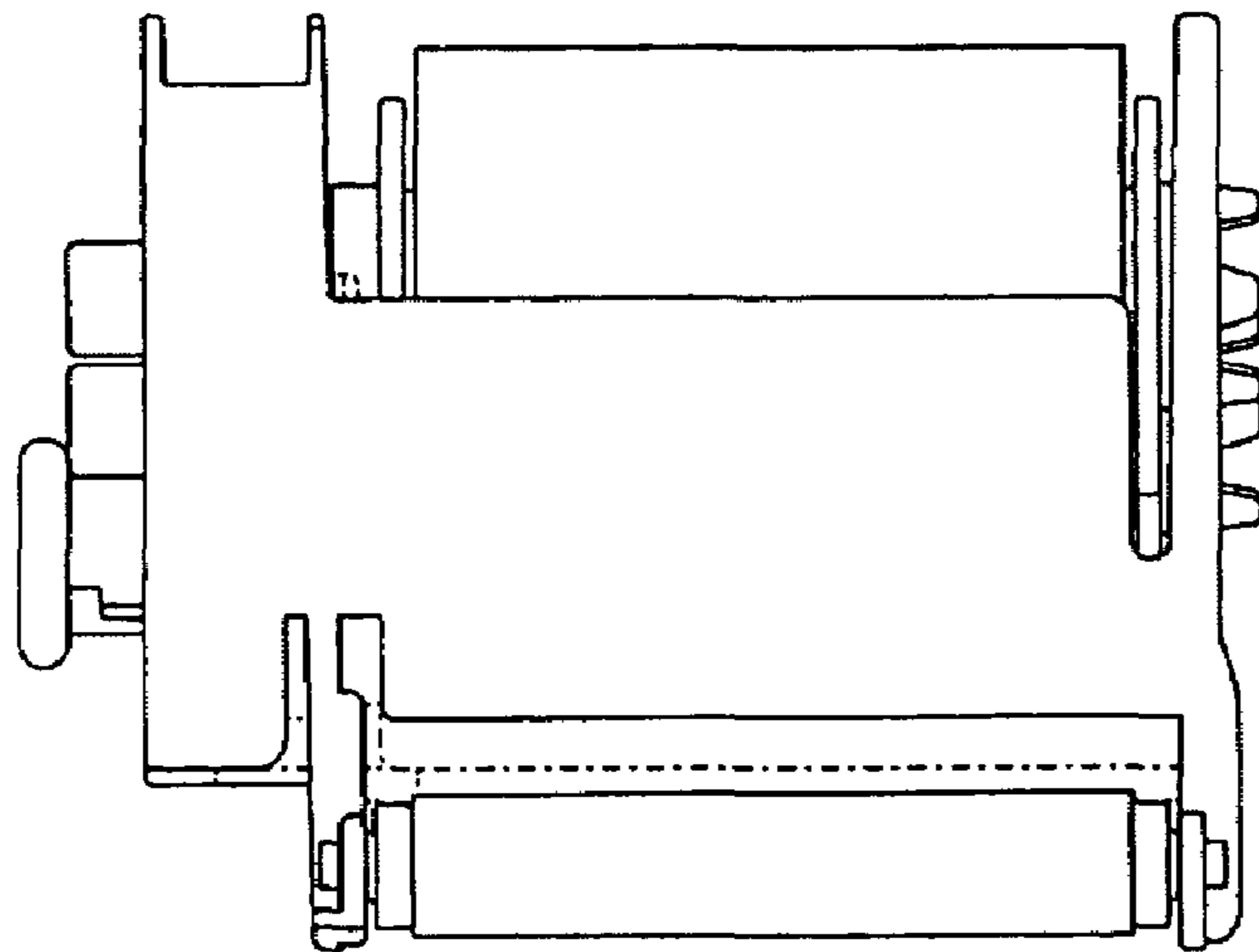


FIG. 2

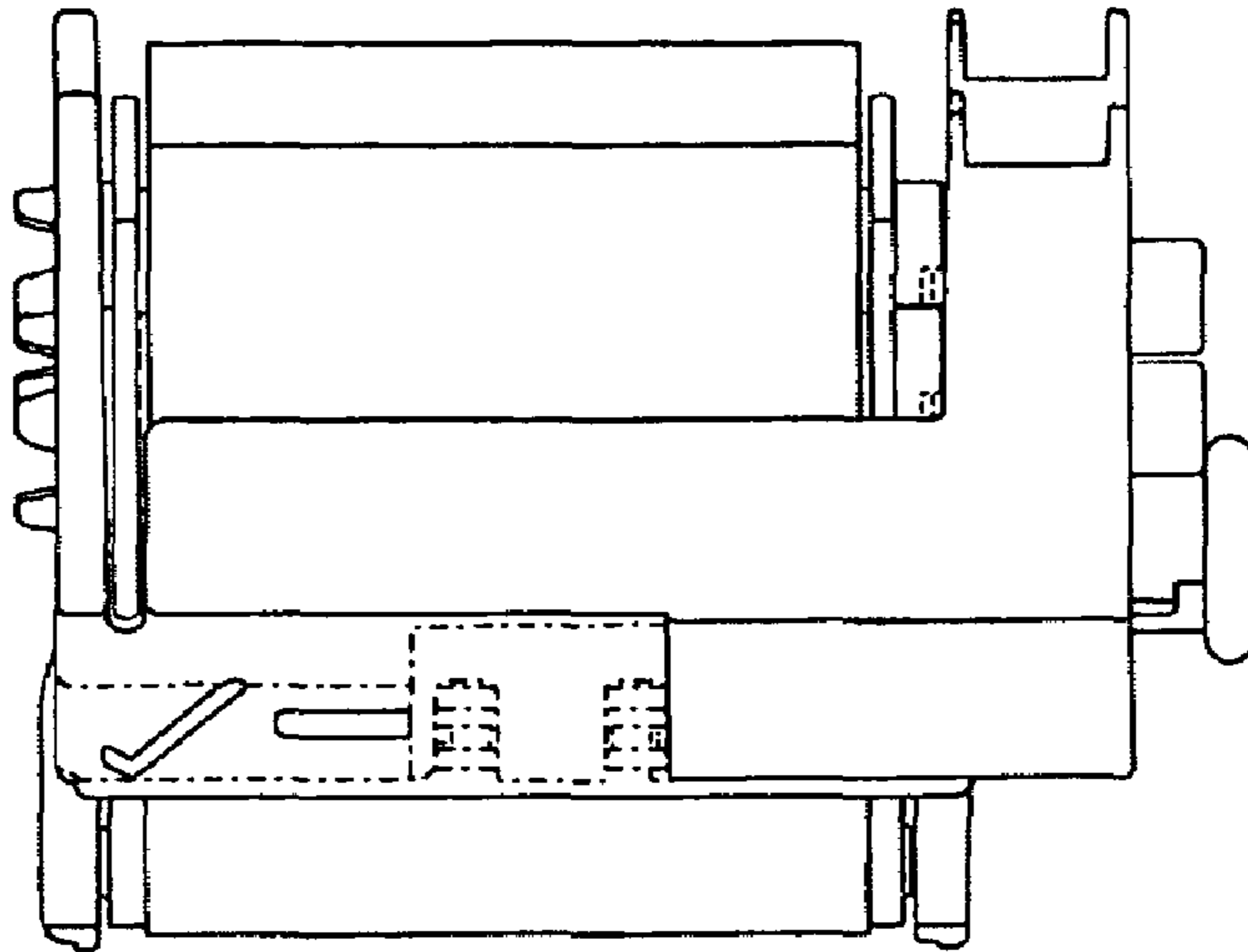


FIG. 3

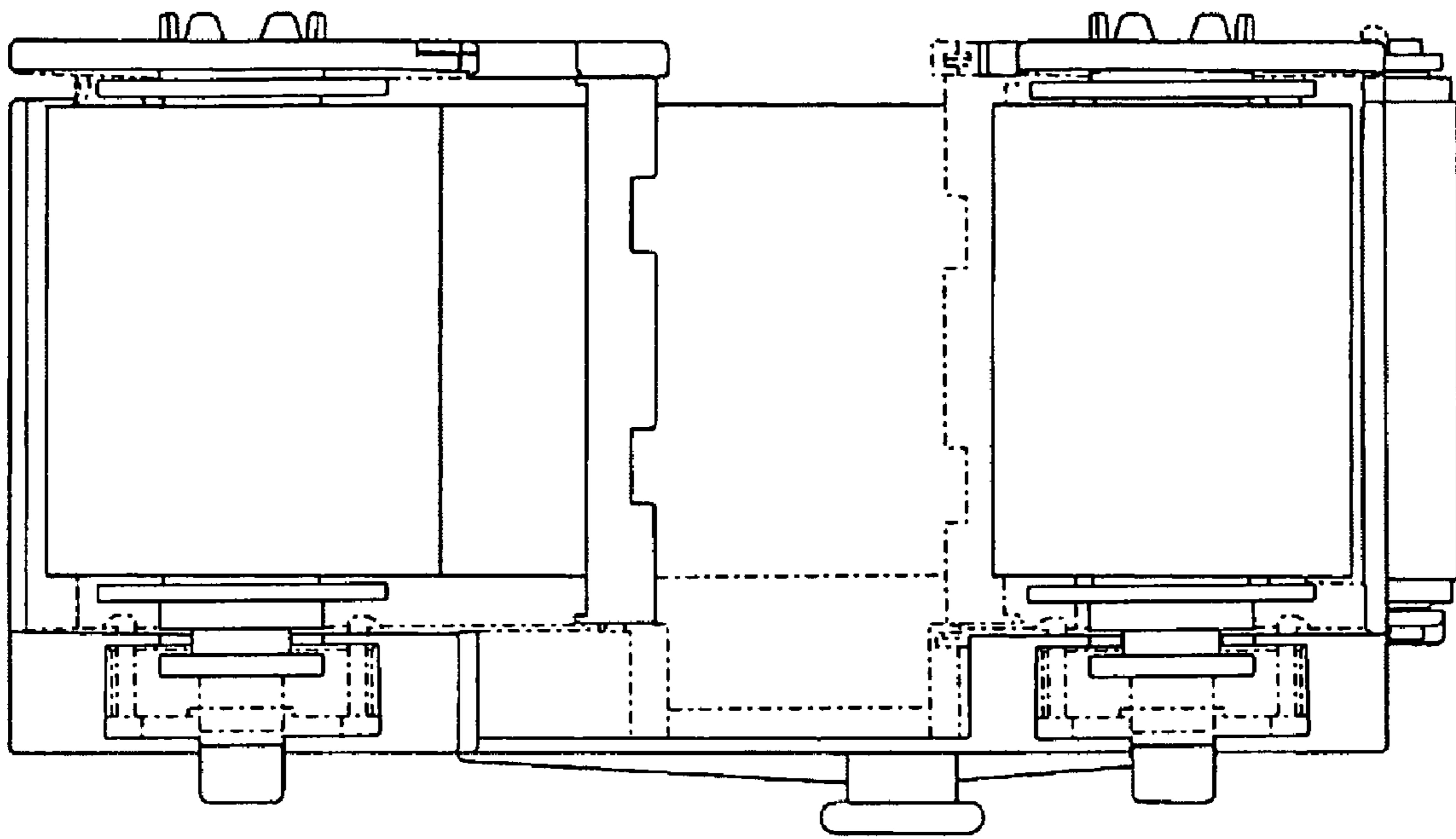


FIG. 4

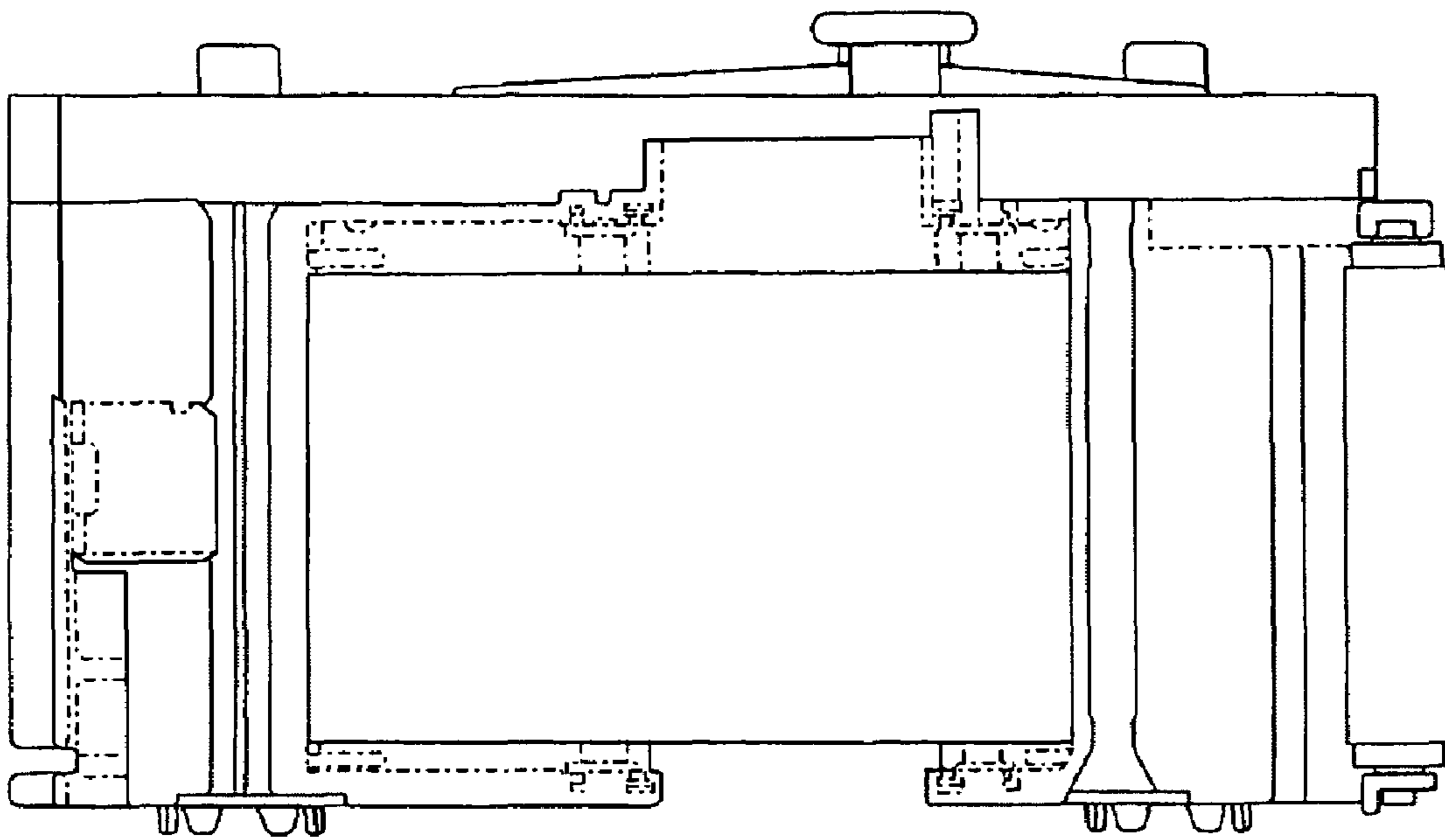


FIG. 5

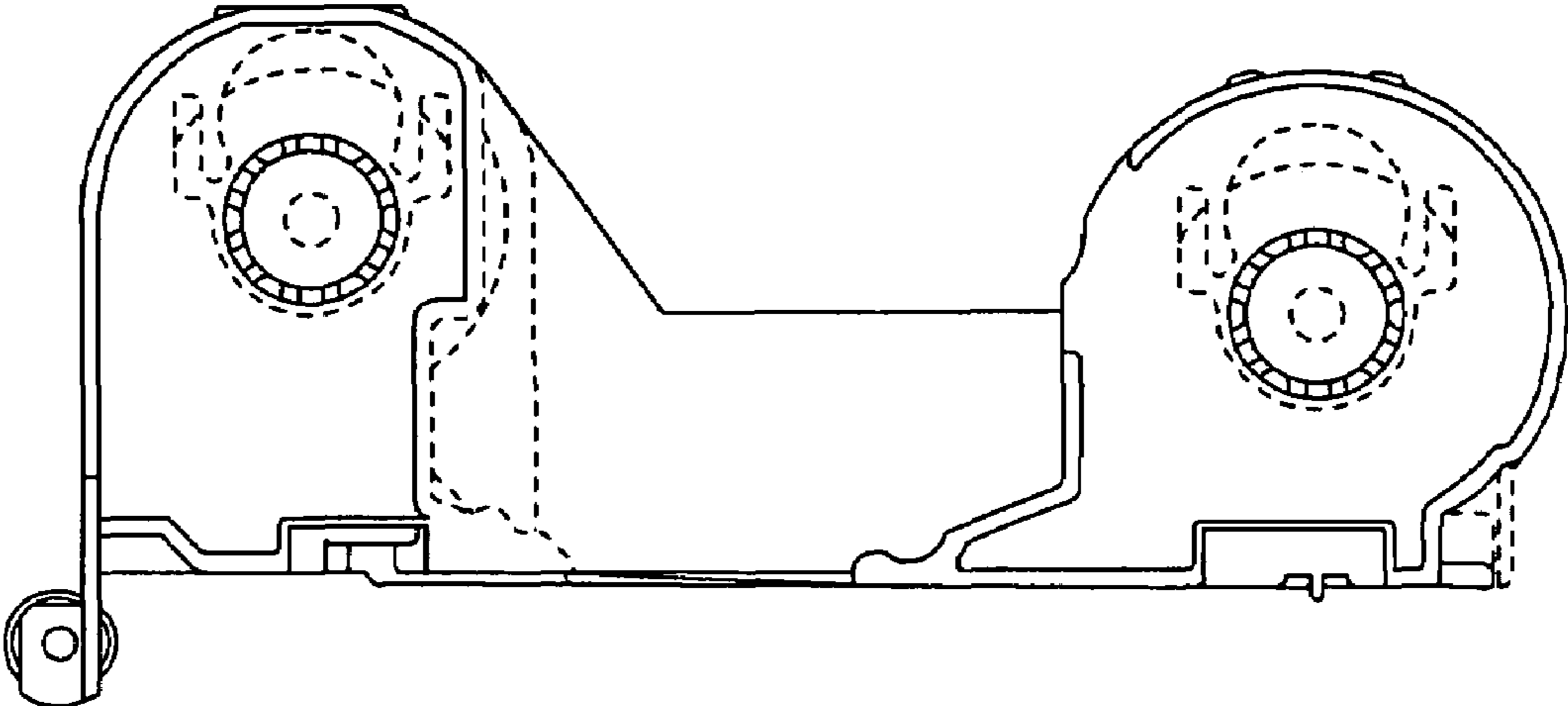


FIG. 6

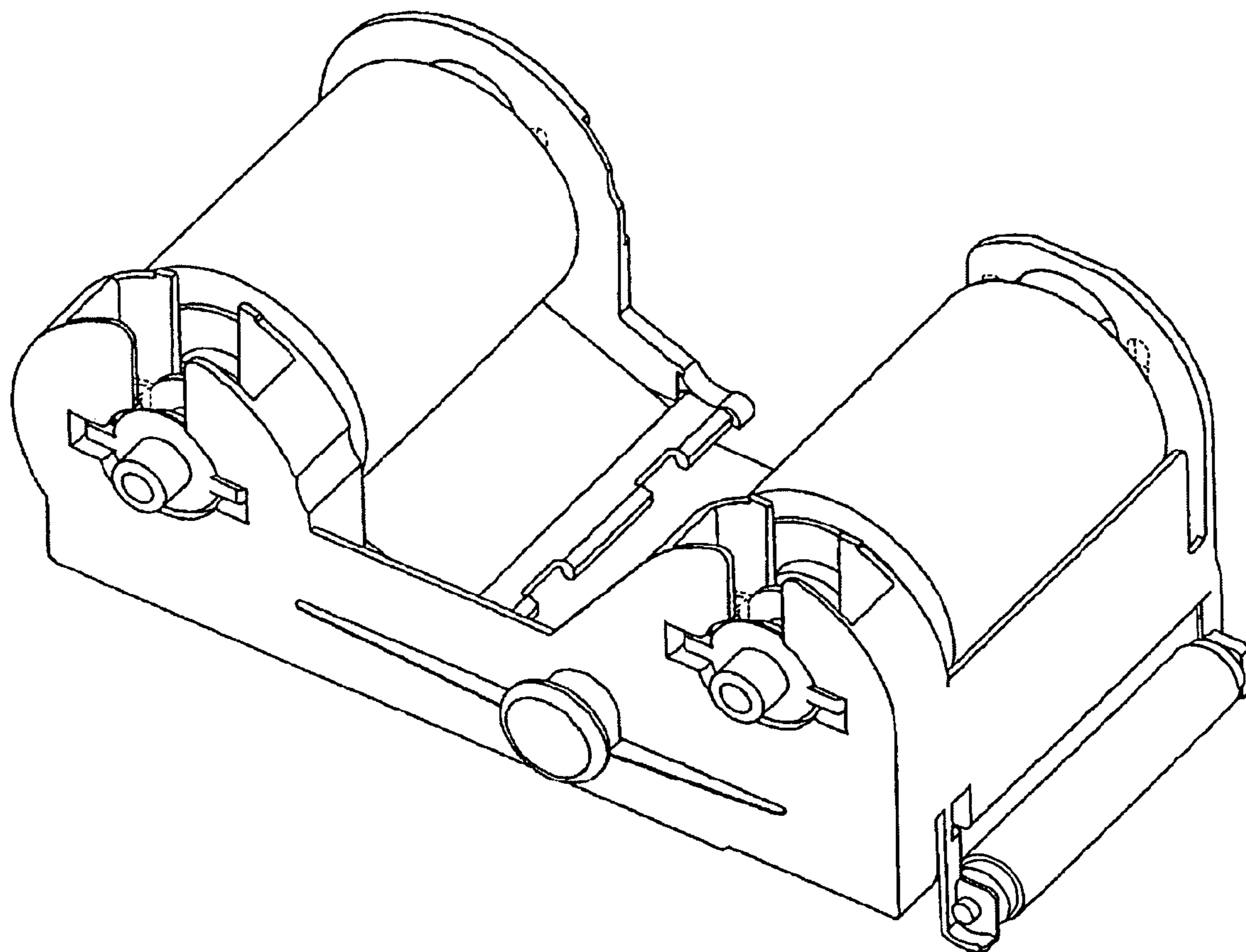


FIG. 7