

US00D593593S

(12) **United States Design Patent**  
**Fuchs**

(10) **Patent No.:** **US D593,593 S**  
(45) **Date of Patent:** **\*\* Jun. 2, 2009**

(54) **EYEGLASSES**

(75) Inventor: **Gerhard Fuchs**, Kauns (AT)

(73) Assignee: **Silhouette International Schmied AG**,  
Linz (AT)

(\*\*) Term: **14 Years**

(21) Appl. No.: **29/317,162**

(22) Filed: **Apr. 23, 2008**

(30) **Foreign Application Priority Data**

Feb. 14, 2008 (EM) ..... 000879036-0004

(51) **LOC (9) Cl.** ..... **16-06**

(52) **U.S. Cl.** ..... **D16/315; D16/335; D16/334**

(58) **Field of Classification Search** ..... D16/101,  
D16/300-342; D29/109-110; D24/110.2;  
351/41, 44, 51-52, 62, 158, 92, 103-123,  
351/140, 153, 45-46; 2/426-432, 447-449,  
2/441, 434-437, 13, 15; D21/483, 659-661

See application file for complete search history.

(56) **References Cited**

**U.S. PATENT DOCUMENTS**

D13,053 S	7/1882	Meyer et al.	
719,790 A	2/1903	Gregory	
2,269,037 A	1/1942	Oker	
2,669,903 A	2/1954	Tardy	
D198,643 S	7/1964	Wilson	
4,187,007 A	2/1980	Lauffer	
D285,092 S	8/1986	Baum	
D305,900 S	2/1990	Samuel	
5,471,257 A	11/1995	Houmand	
D392,661 S	3/1998	Porsche et al.	
D394,447 S	5/1998	Khantzis	
D405,105 S	2/1999	Gerani	
5,880,807 A *	3/1999	Devercelli	351/106
D413,138 S	8/1999	Flanagan	
5,956,116 A	9/1999	Ishiyama	
D426,566 S	6/2000	Hirschman et al.	
D429,752 S	8/2000	Polland	
D430,191 S	8/2000	Hirschman et al.	

D434,790 S	12/2000	Lepou et al.	
6,290,355 B1	9/2001	Chen	
D455,451 S	4/2002	Onodera	
D465,509 S	11/2002	Jamin	
D467,960 S	12/2002	Jamin	
D472,254 S	3/2003	Mitchell, Jr.	
D473,581 S	4/2003	Hirschman	
D476,676 S	7/2003	Nielsen	
D480,413 S	10/2003	Nielsen	
D481,059 S	10/2003	Egbert et al.	
6,655,800 B2	12/2003	Takeda et al.	
D488,829 S	4/2004	Hester	
D489,393 S	5/2004	Hester	
6,729,725 B1	5/2004	Cheng	
D491,214 S *	6/2004	Nielsen	D16/327
D495,357 S	8/2004	Nielsen	
D508,514 S	8/2005	Hester	
D533,579 S	12/2006	Raile	
D536,023 S	1/2007	Park	
D537,862 S	3/2007	Mouclier	
D540,845 S *	4/2007	Nakanishi	D16/315
D542,329 S	5/2007	Hester	
D543,230 S *	5/2007	Nakanishi	D16/315
D554,176 S	10/2007	Elmore	
D556,819 S	12/2007	Fuchs	

(Continued)

**OTHER PUBLICATIONS**

U.S. Appl. No. 29/248,024, filed Jul. 26, 2006, In re: Fuchs, entitled *Eyewear*.

(Continued)

*Primary Examiner*—Raphael Barkai  
(74) *Attorney, Agent, or Firm*—Alston & Bird LLP

(57) **CLAIM**

The ornamental design for eyeglasses, as shown and described.

**DESCRIPTION**

FIG. 1 is a perspective view of eyeglasses showing my new design;

FIG. 2 is a front elevation view thereof;

FIG. 3 is a rear elevation view thereof;

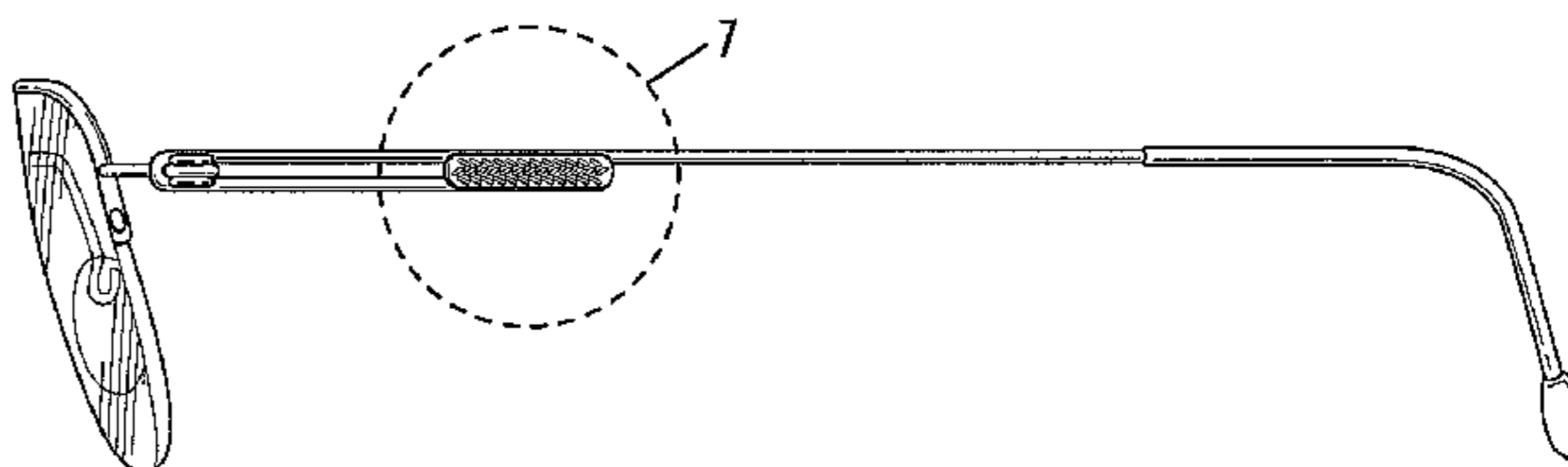
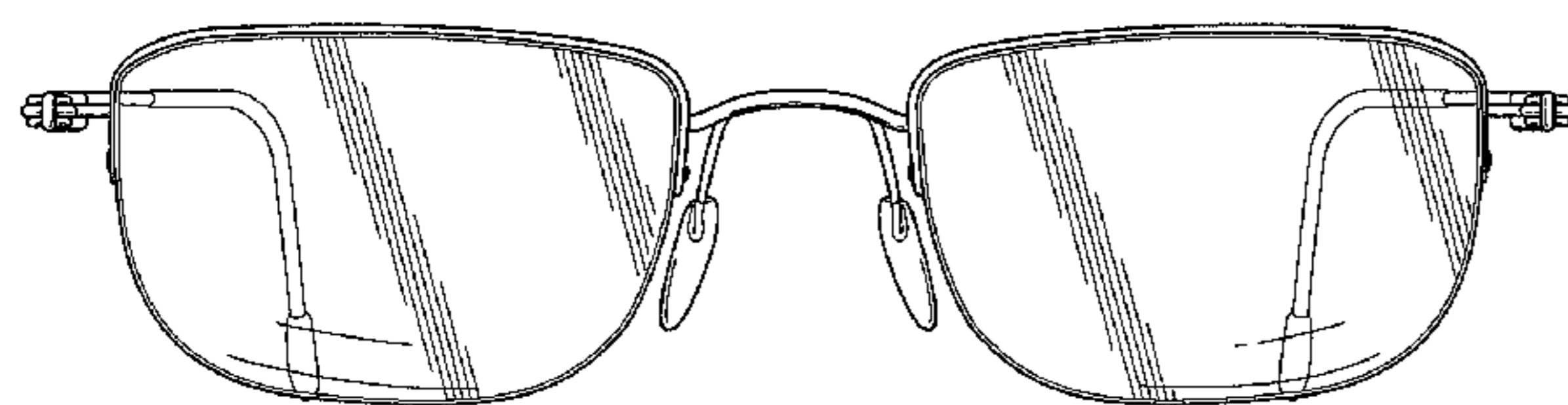


FIG. 4 is a top plan view thereof;

FIG. 5 is a bottom plan view thereof;

FIG. 6 is a left side elevation view thereof, the right side elevation view being a mirror image thereof; and,

FIG. 7 is an enlarged view of a portion of FIG. 6.

Broken lines shown herein for illustrative purposes form no part of the claimed design.

**1 Claim, 6 Drawing Sheets**

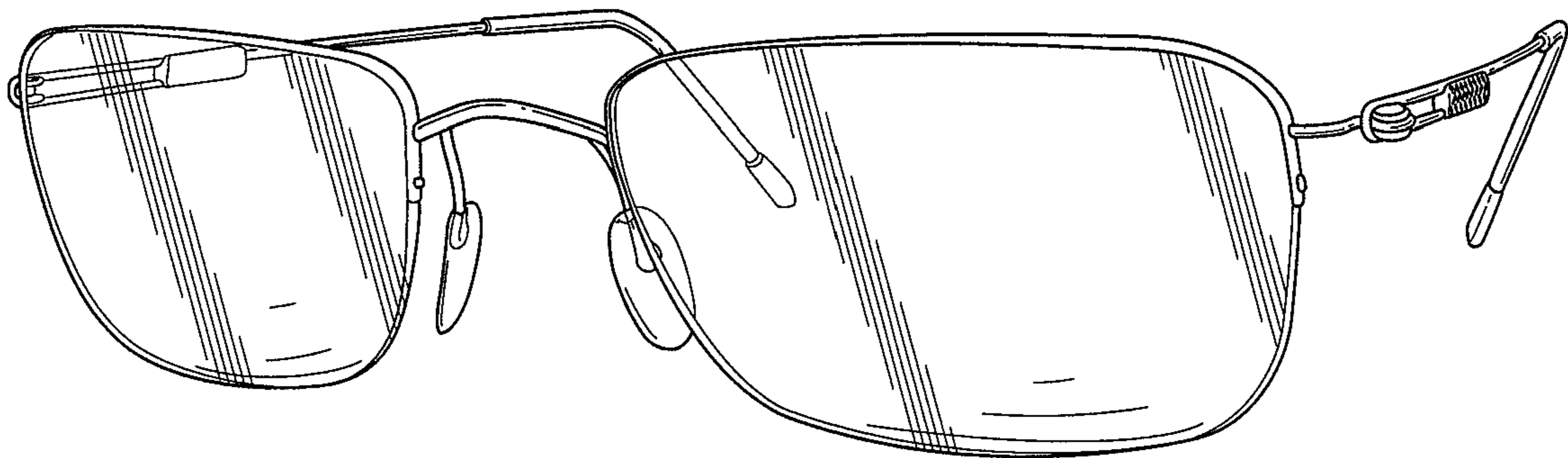
U.S. PATENT DOCUMENTS

D567,838 S 4/2008 Fuchs  
D567,839 S 4/2008 Fuchs  
D581,445 S \* 11/2008 Nakanishi ..... D16/315  
2005/0286012 A1 12/2005 Ogren et al.

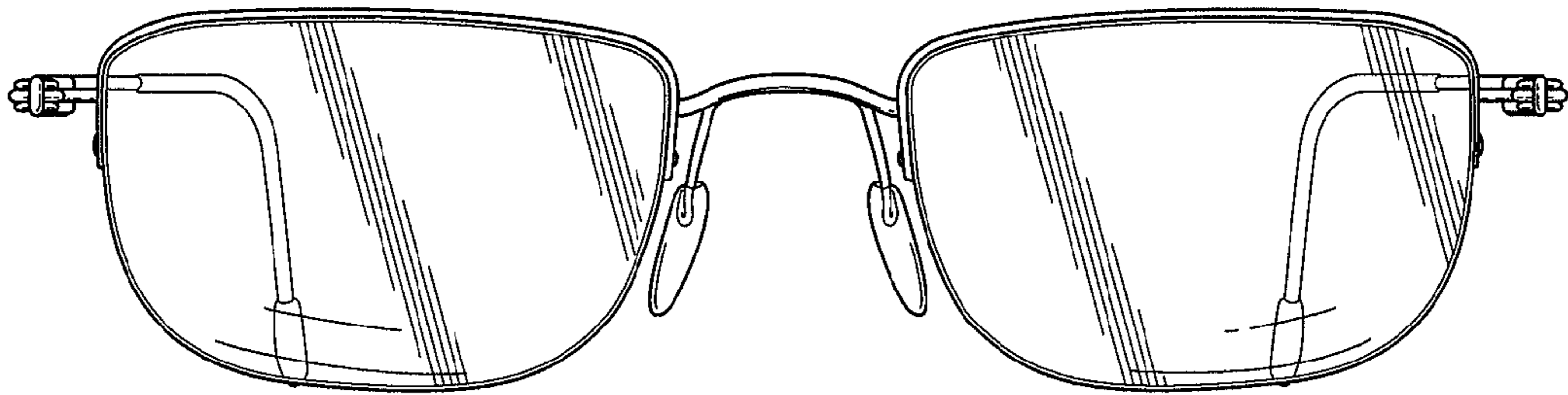
OTHER PUBLICATIONS

U.S. Appl. No. 29/248,025, filed Jul. 26, 2006; In re: Fuchs, entitled *Eyewear*.  
U.S. Appl. No. 29/250,112, filed Nov. 2, 2006; In re: Fuchs, entitled *Eyewear*.  
U.S. Appl. No. 29/250,113, filed Nov. 2, 2006; In re: Fuchs, entitled *Eyewear*.  
U.S. Appl. No. 29/278,599, filed Apr. 3, 2007; In re: Fuchs, entitled *Eyeglasses*.  
U.S. Appl. No. 29/281,183, filed Jun. 18, 2007; In re: Fuchs, entitled *Eyeglasses*.  
Sunglass Hut catalog, p. 21, 2002.  
U.S. Appl. No. 29/302,914, filed Jan. 28, 2008; In re: Fuchs; entitled: *Eyeglasses*.  
America's premier paver catalog, CAD design: Patterns.

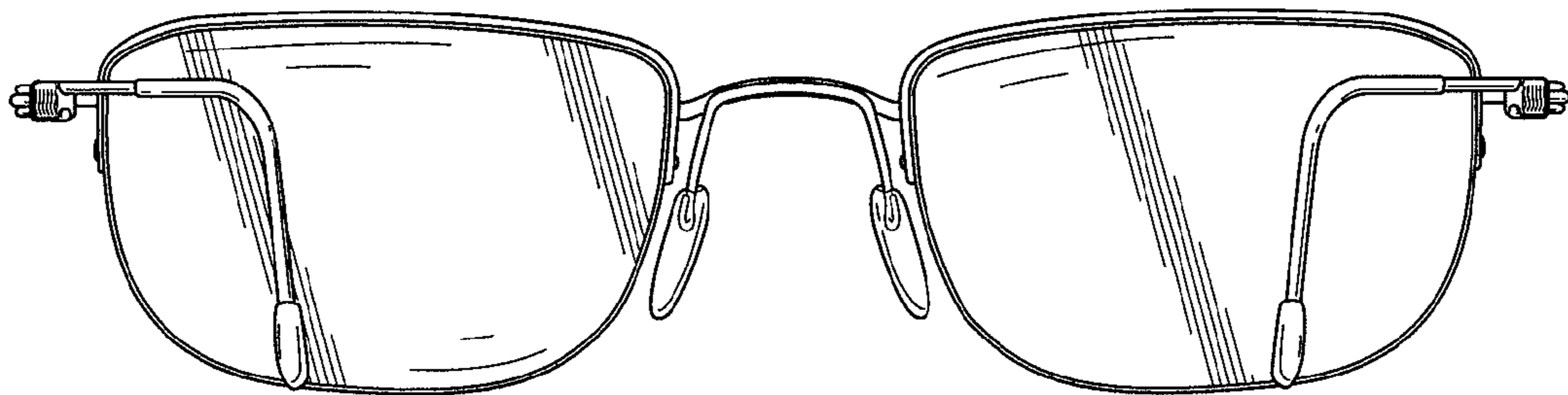
\* cited by examiner



**FIG. 1**



**FIG. 2**



**FIG. 3**

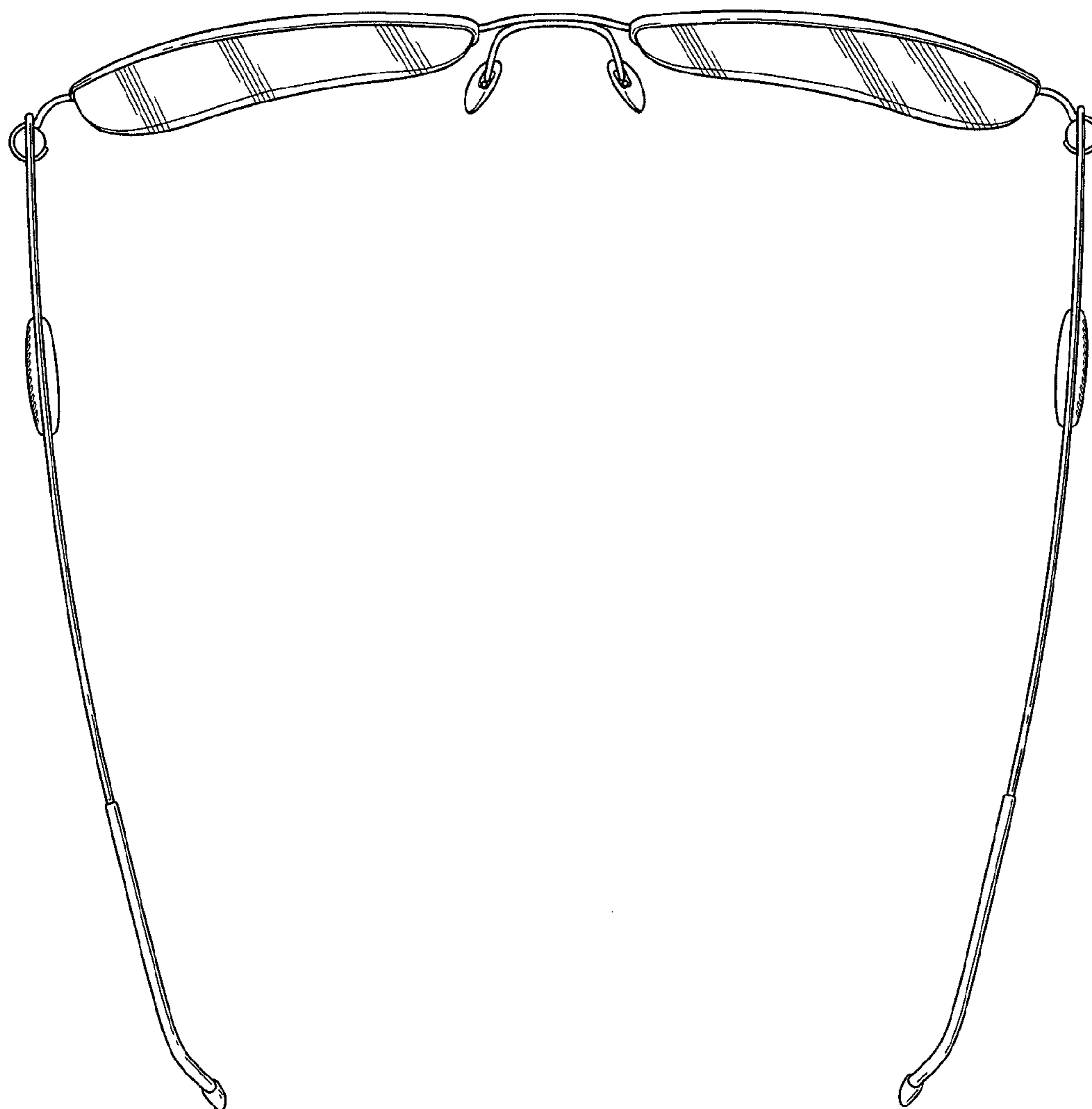


FIG. 4

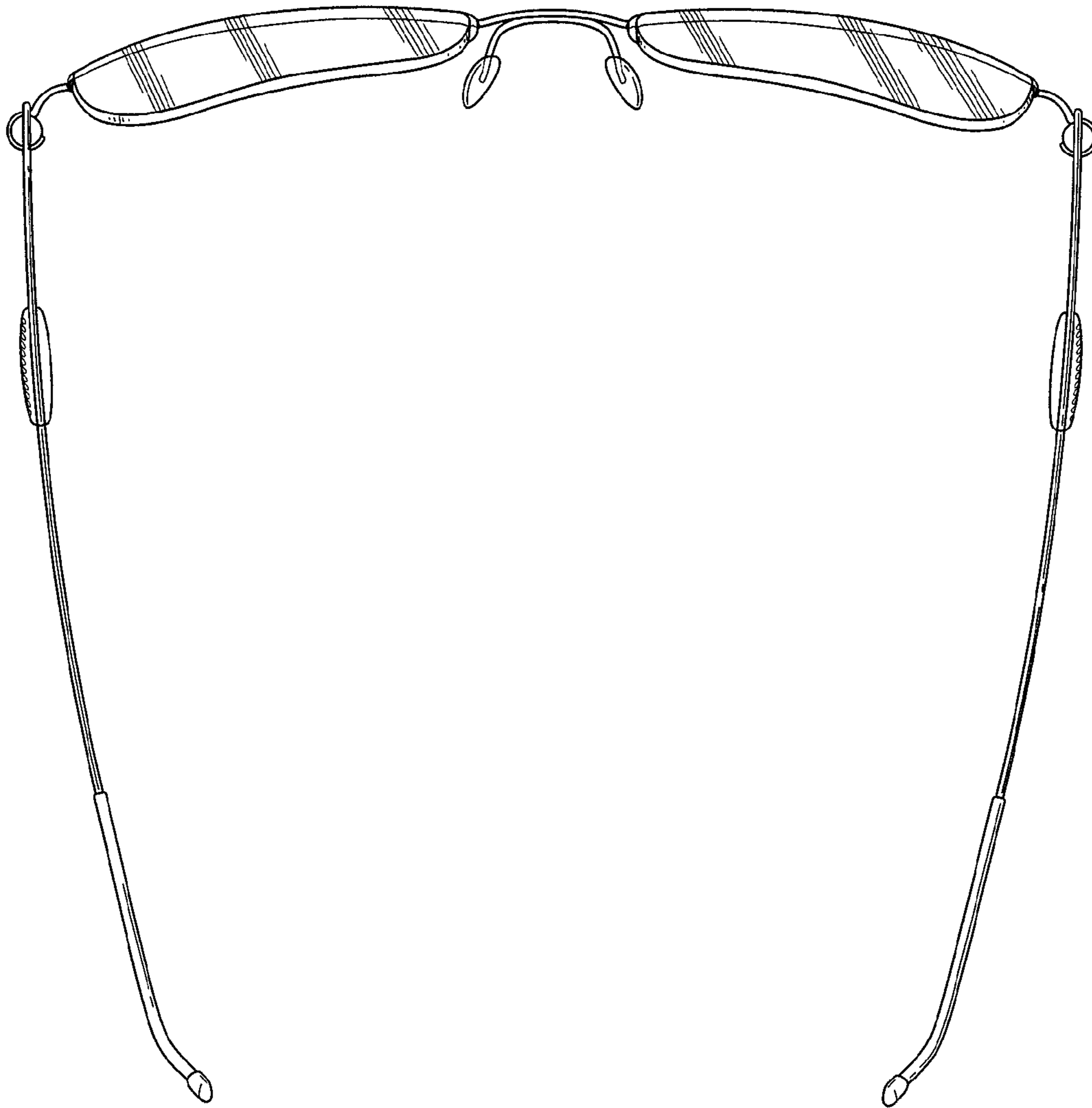


FIG. 5

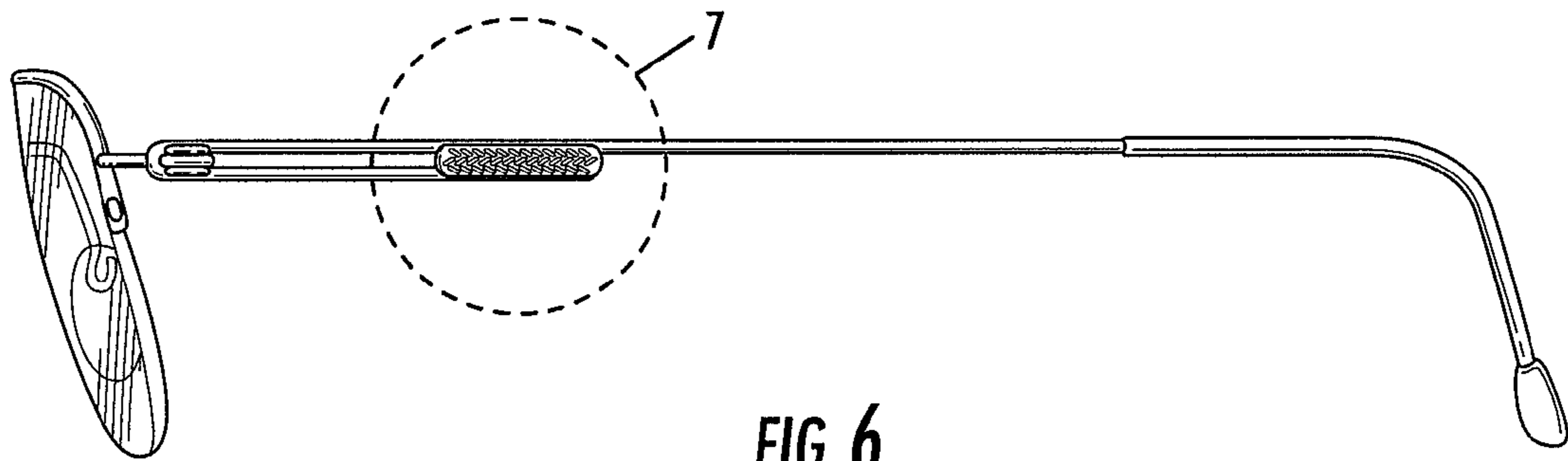
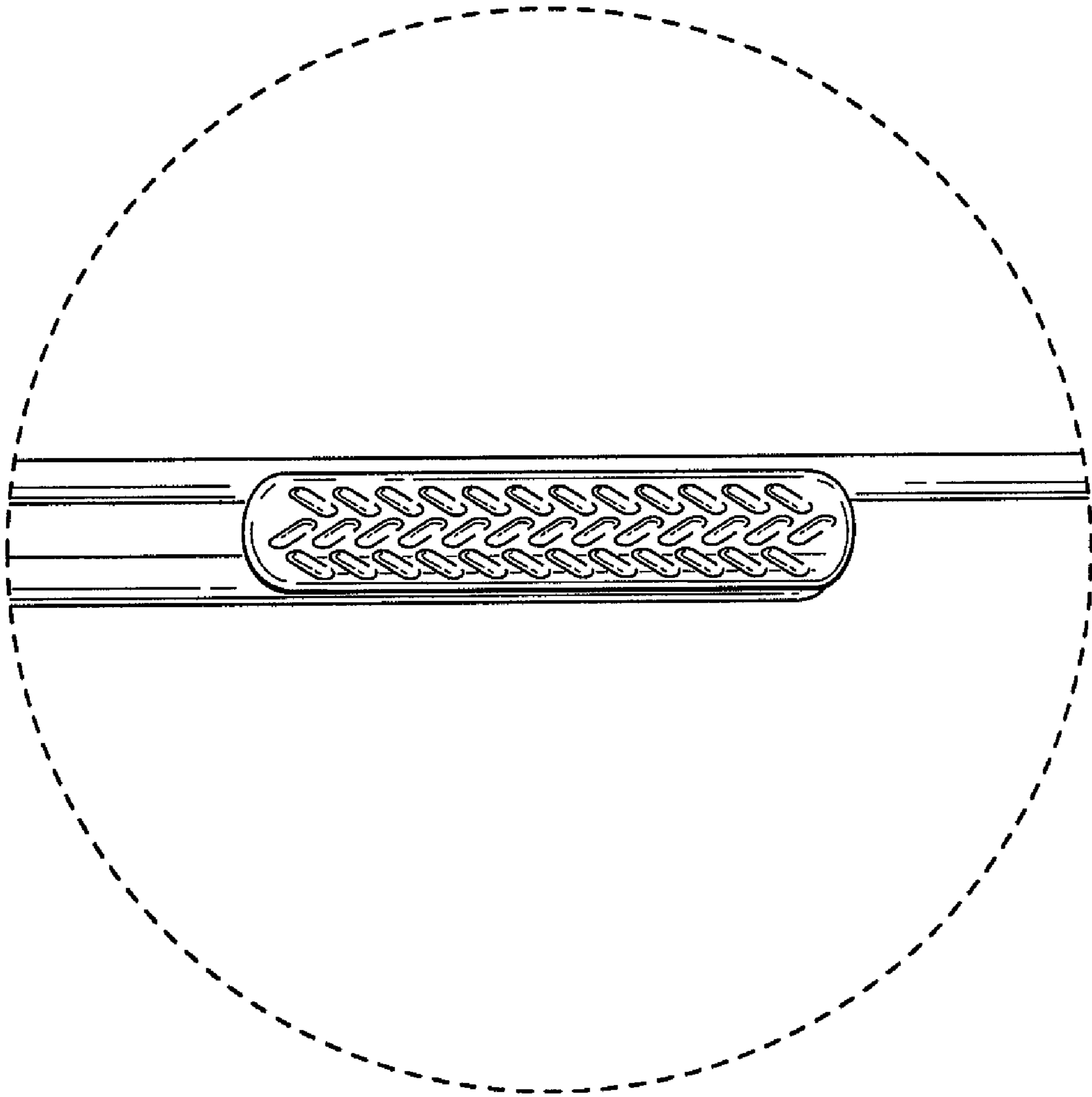


FIG. 6



**FIG. 7**