



US00D593591S

(12) **United States Design Patent**  
**Hochendoner et al.**

(10) **Patent No.:** **US D593,591 S**  
(45) **Date of Patent:** **\*\* Jun. 2, 2009**

(54) **INFLATABLE SCREEN**

(75) Inventors: **David Hochendoner**, Allison Park, PA  
(US); **Tsai Chun Chin**, Hsin Tien (TW)

(73) Assignee: **Sima Products Corporation**, Oakmont,  
PA (US)

(\*\*) Term: **14 Years**

(21) Appl. No.: **29/307,805**

(22) Filed: **May 14, 2008**

(51) **LOC (9) Cl.** ..... **16-05**

(52) **U.S. Cl.** ..... **D16/241**

(58) **Field of Classification Search** ..... D16/235,  
D16/241; 160/24, 38, 39, 351; 359/443,  
359/444; 396/3, 4

See application file for complete search history.

(56) **References Cited**

U.S. PATENT DOCUMENTS

3,511,555	A *	5/1970	O'Brien	.....	359/443
3,720,455	A	3/1973	Sahlin		
4,323,301	A	4/1982	Spector		
4,597,633	A	7/1986	Fussell		
4,802,734	A	2/1989	Walter		
D323,338	S	1/1992	Court		
D357,492	S	4/1995	Henry		
5,471,797	A	12/1995	Murphy		
5,982,537	A	11/1999	Koizumi et al.		

6,008,938	A	12/1999	Suehle et al.		
6,036,249	A *	3/2000	Kuntz	.....	160/135
6,739,725	B2 *	5/2004	Ben-Ari	.....	359/443
6,819,487	B2 *	11/2004	Palovuori et al.	.....	359/443
D543,229	S	5/2007	Hochendoner		
2005/0068618	A1	3/2005	Poretskin		
2007/0086088	A1 *	4/2007	Astill	.....	359/443
2007/0153375	A1 *	7/2007	Peterson et al.	.....	359/443

\* cited by examiner

*Primary Examiner*—Adir Aronovich

(74) *Attorney, Agent, or Firm*—Buchanan Ingersoll &  
Rooney PC

(57) **CLAIM**

An ornamental design for an inflatable screen, as shown and described.

**DESCRIPTION**

FIG. 1 is a perspective view of an inflatable screen showing our new design.

FIG. 2 is a front elevational view thereof.

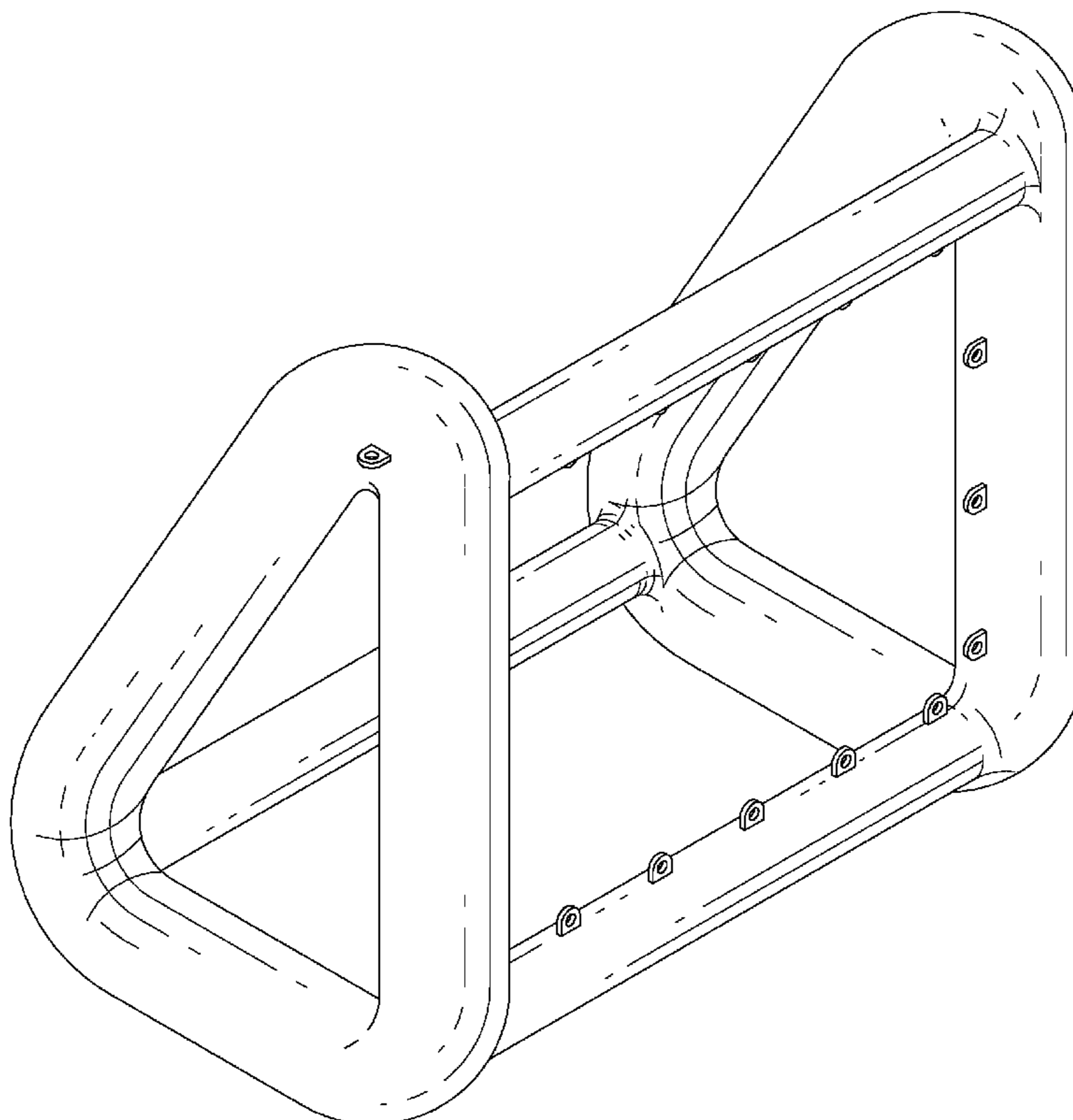
FIG. 3 is a rear elevational view thereof.

FIG. 4 is a right side elevational view, the left side being a mirror image of this view.

FIG. 5 is a top view thereof; and,

FIG. 6 is a bottom view thereof.

**1 Claim, 4 Drawing Sheets**



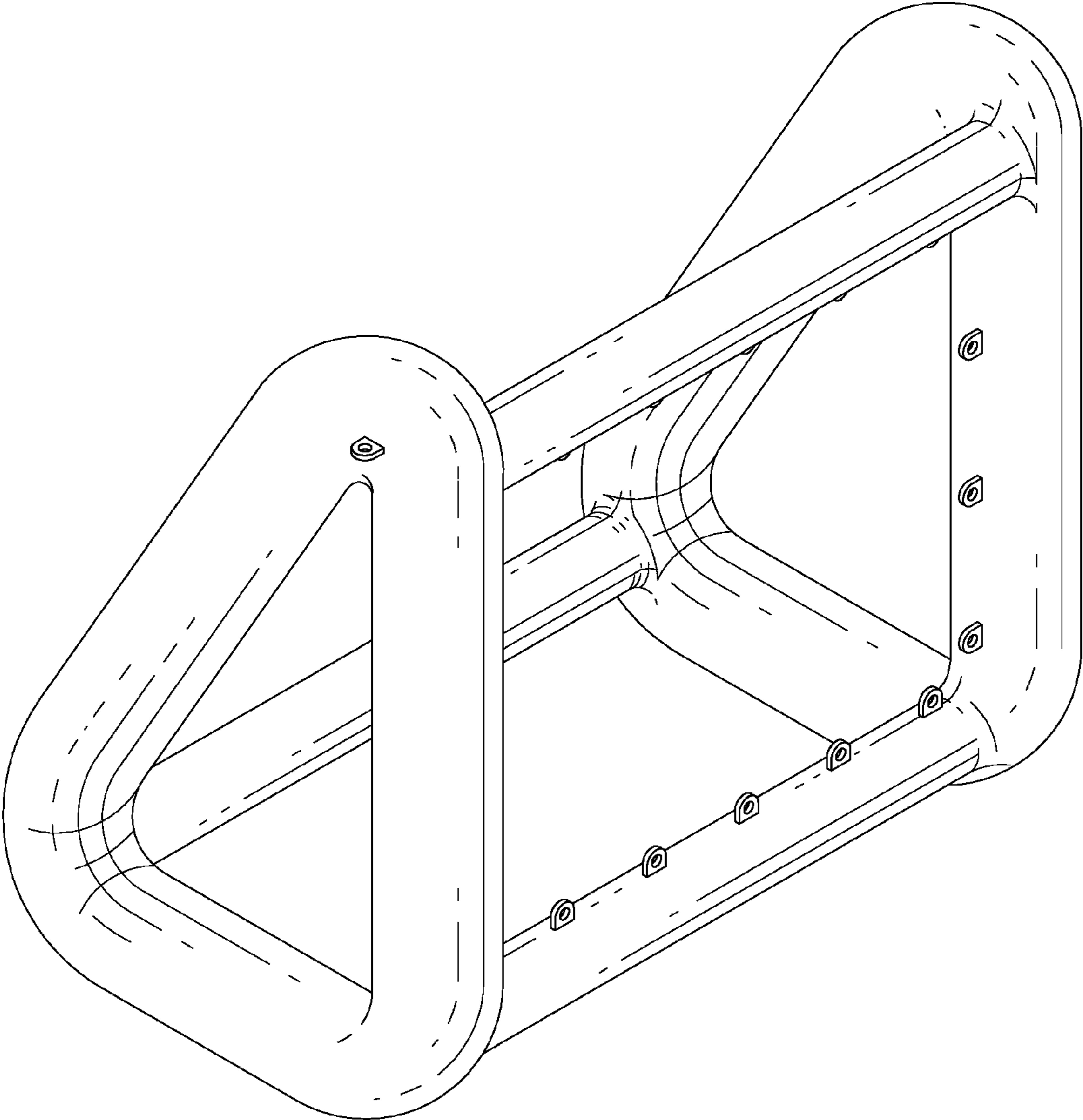
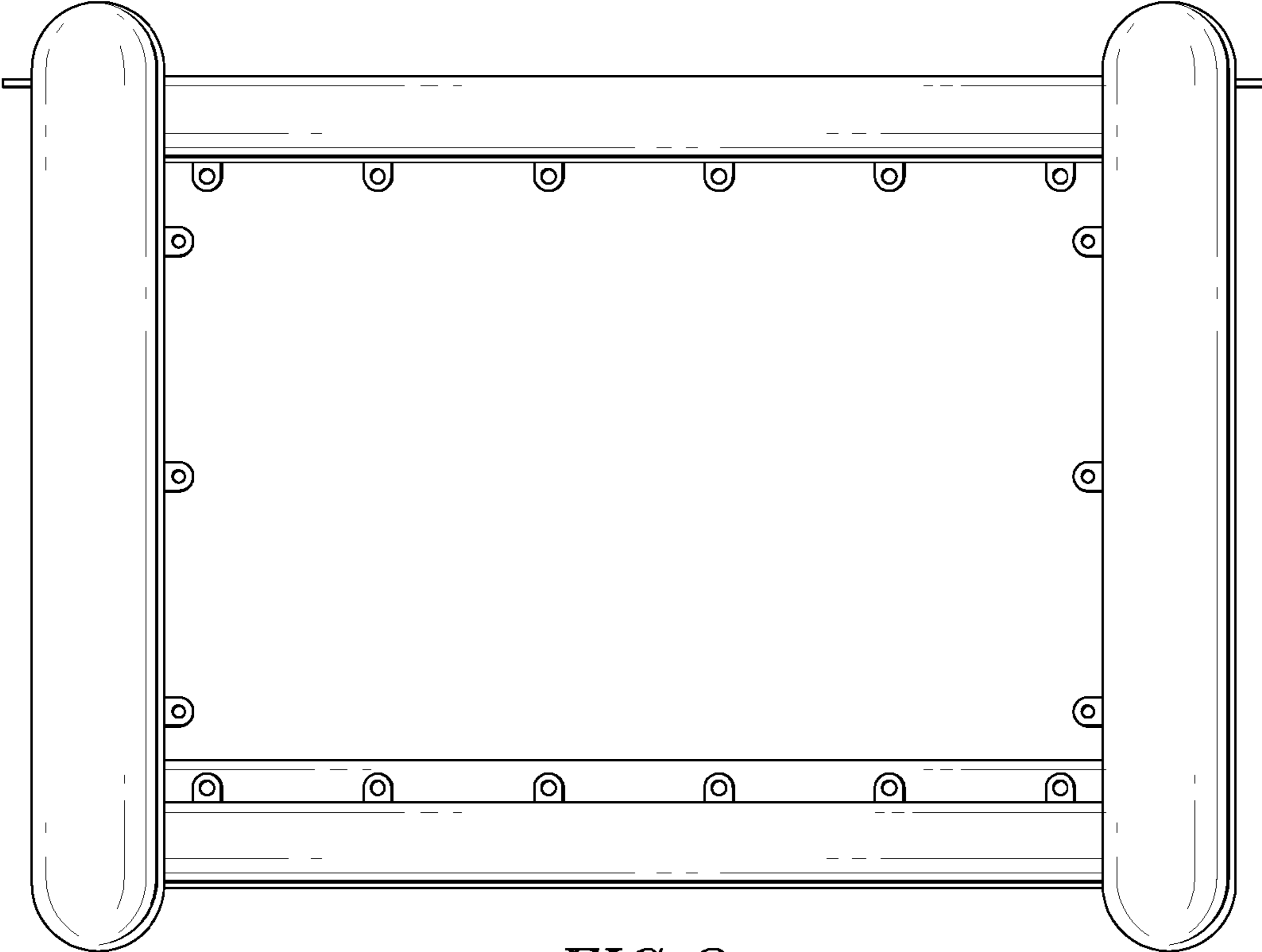
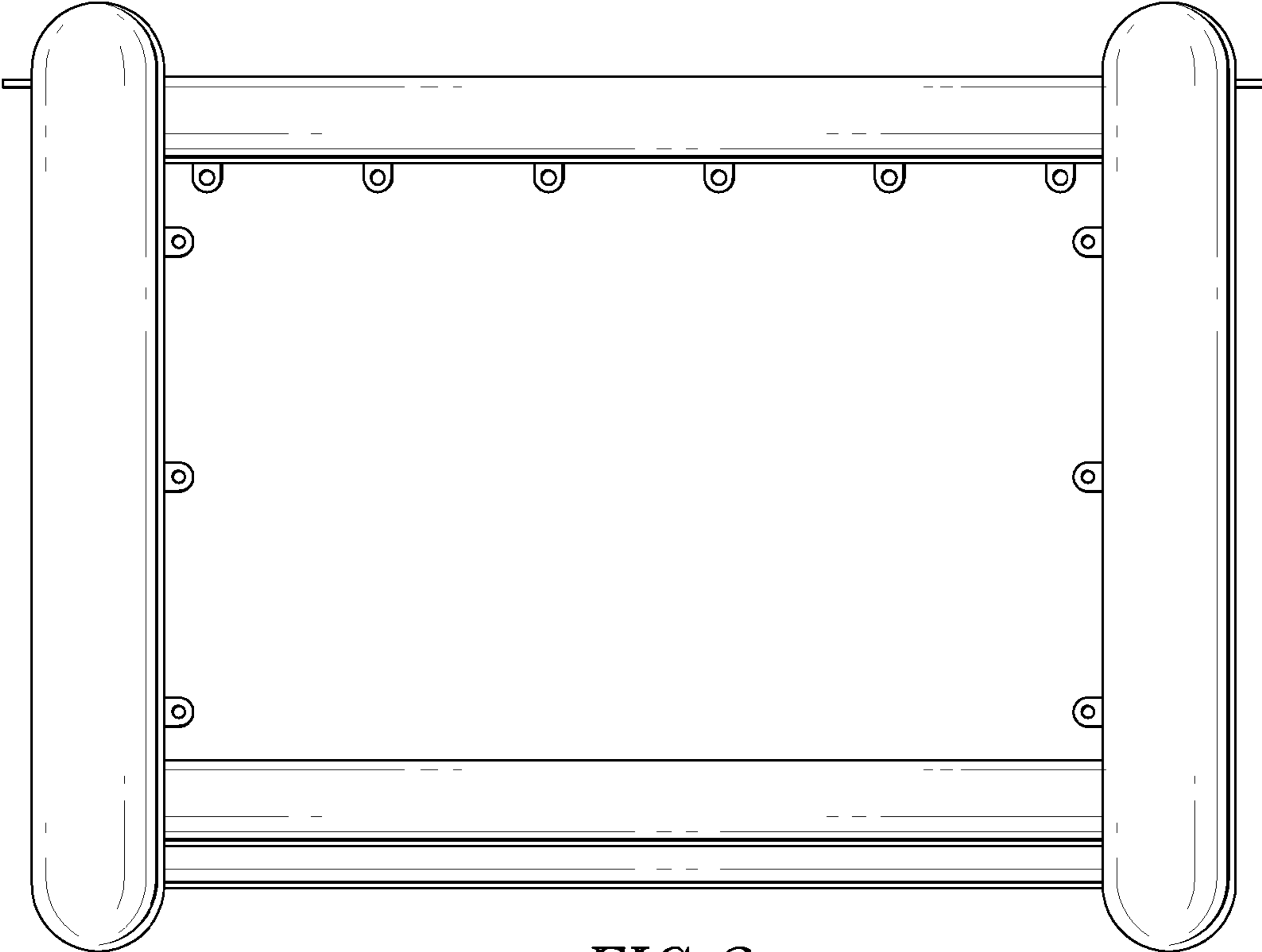


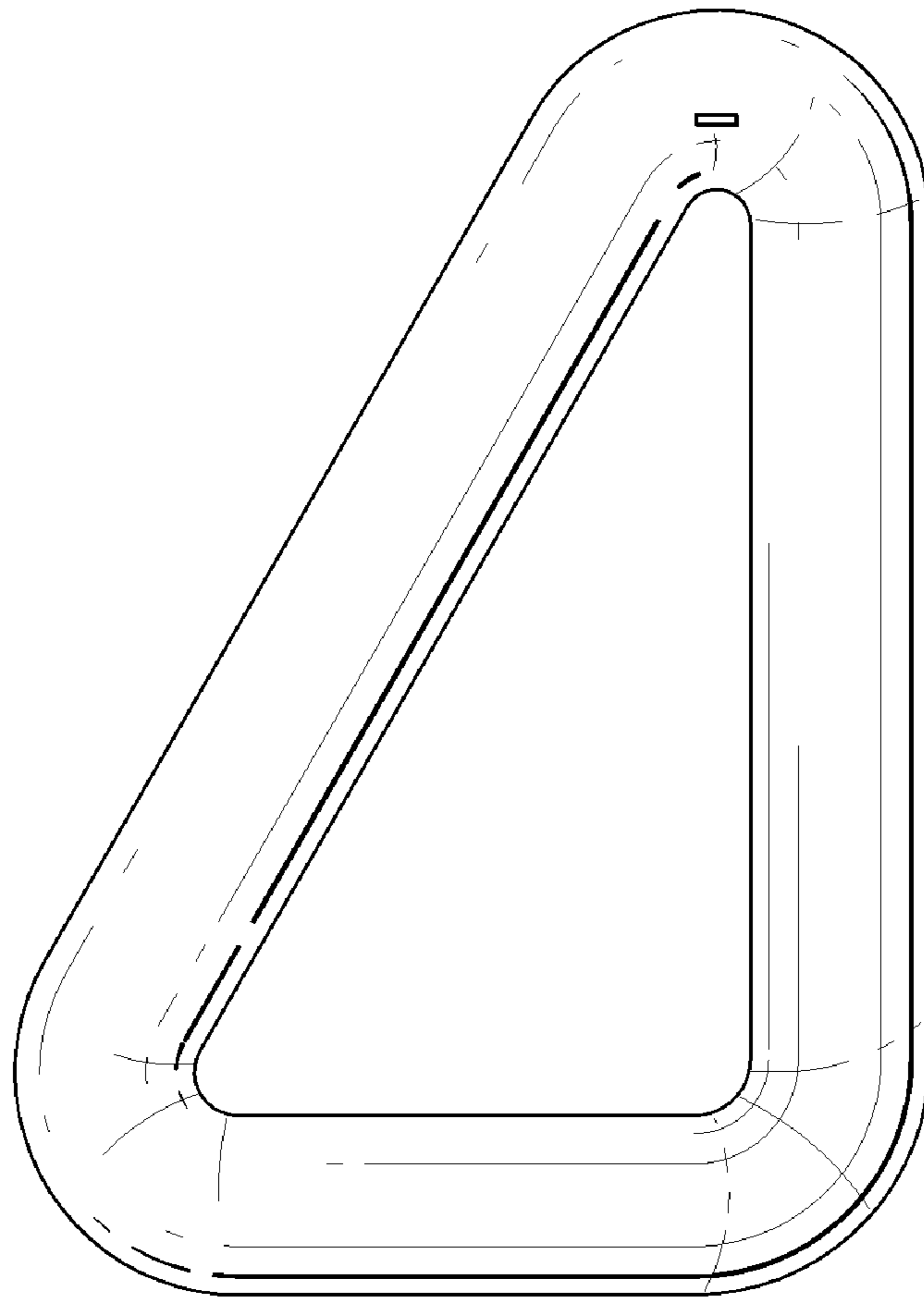
FIG. 1



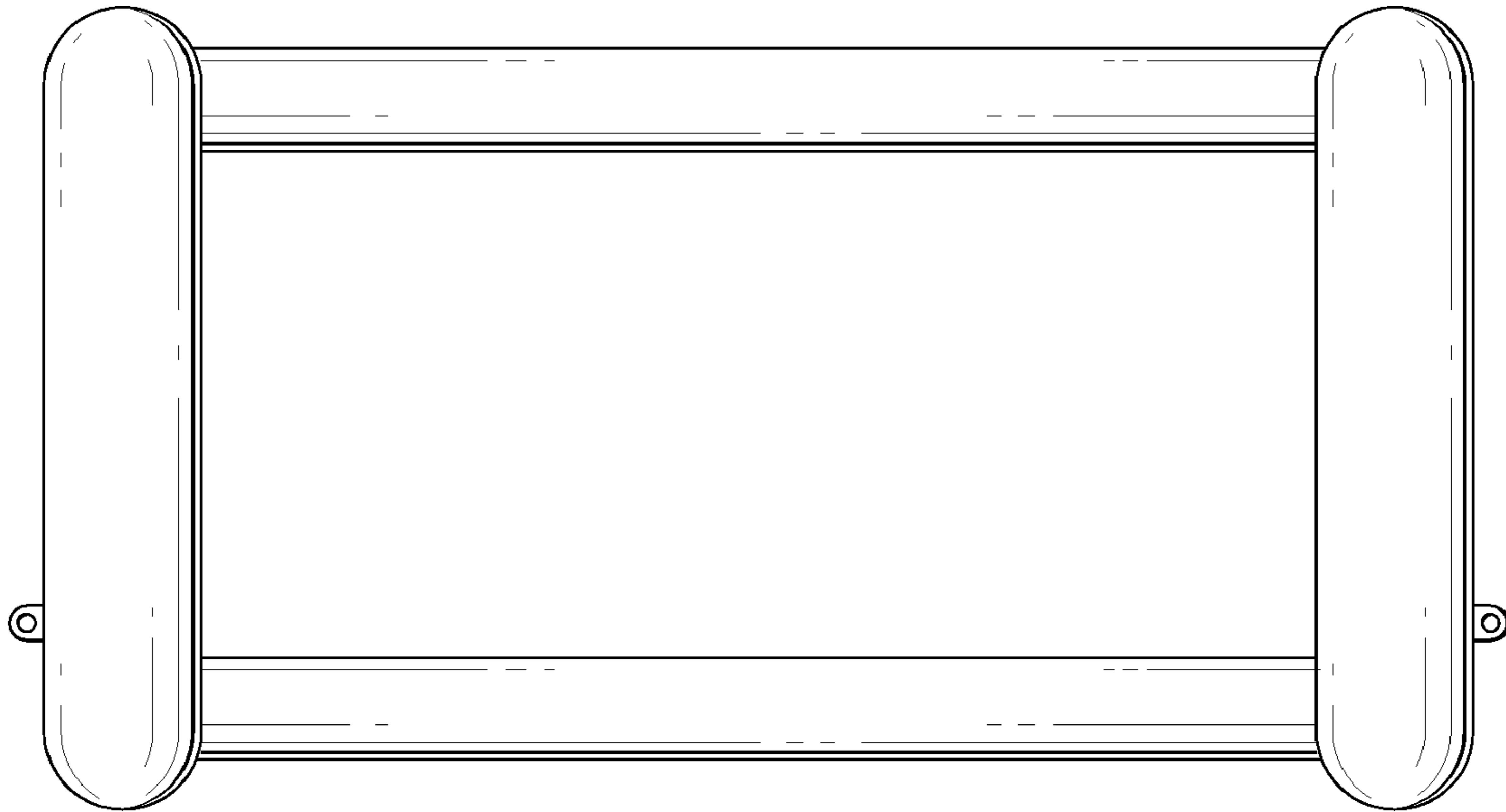
*FIG. 2*



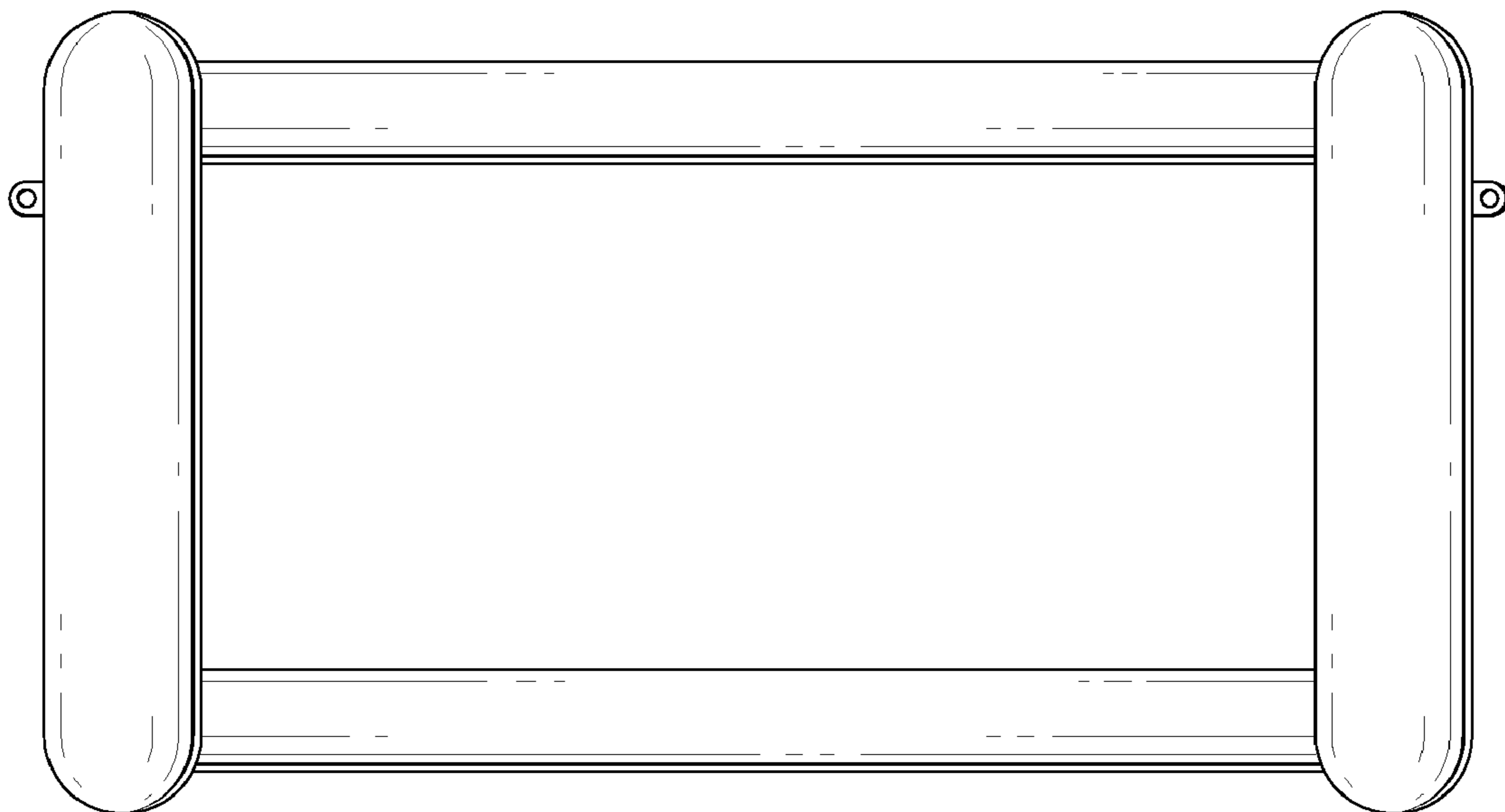
*FIG. 3*



*FIG. 4*



*FIG. 5*



*FIG. 6*