

US00D593588S

(12) **United States Design Patent**  
**Tsuchiya et al.**

(10) **Patent No.:** **US D593,588 S**  
(45) **Date of Patent:** **\*\* Jun. 2, 2009**

(54) **VIDEO CAMERA WITH HARD DISC RECORDER**

D576,187 S \* 9/2008 Hayashi et al. .... D16/202  
D581,439 S \* 11/2008 Narita et al. .... D16/202  
D584,754 S \* 1/2009 Chung et al. .... D16/202  
2007/0153120 A1 \* 7/2007 Kajikawa et al. .... 348/373

(75) Inventors: **Hitoshi Tsuchiya**, Kanagawa (JP); **Shuji Tanifuji**, Kanagawa (JP)

\* cited by examiner

(73) Assignee: **Victor Company of Japan, Limited**, Kanagawa (JP)

*Primary Examiner*—Adir Aronovich  
(74) *Attorney, Agent, or Firm*—Osha • Liang LLP

(\*\*) Term: **14 Years**

(57) **CLAIM**

(21) Appl. No.: **29/301,975**

The ornamental design for a video camera with hard disc recorder, as shown and described.

(22) Filed: **Mar. 26, 2008**

(30) **Foreign Application Priority Data**

Nov. 7, 2007 (JP) ..... 2007-030724

**DESCRIPTION**

(51) **LOC (9) Cl.** ..... **16-01**

FIG. 1 is a perspective view of the front, right side and top plan of a video camera with hard disc recorder showing our new design;

(52) **U.S. Cl.** ..... **D16/202**

FIG. 2 is a front view thereof;

(58) **Field of Classification Search** ..... D16/200–205, D16/208, 218; 348/143, 151, 373–376; 396/535–541  
See application file for complete search history.

FIG. 3 is a rear view thereof;

FIG. 4 is a top plan view thereof;

FIG. 5 is a bottom view thereof;

FIG. 6 is a left view thereof; and,

FIG. 7 is a right view thereof.

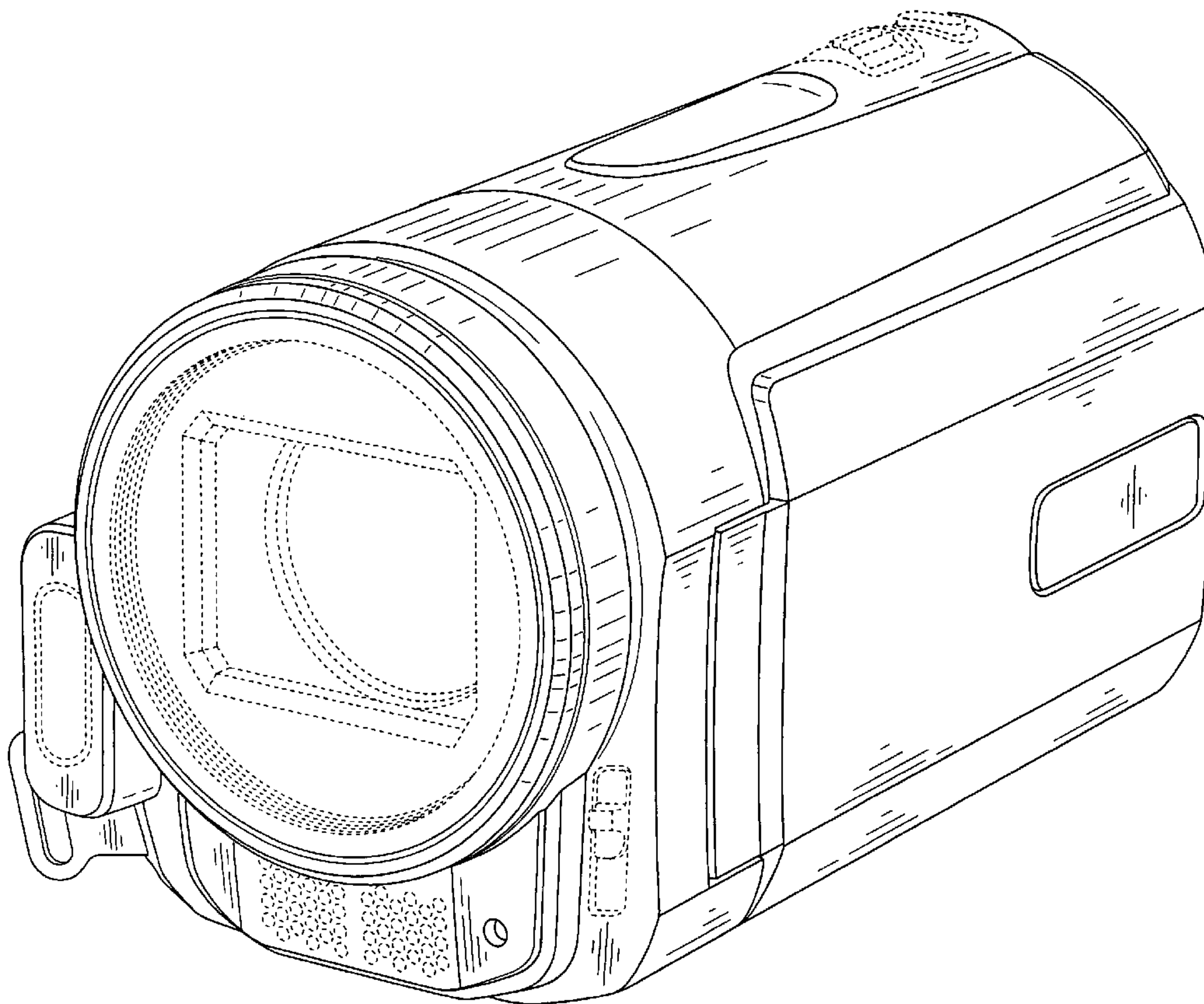
(56) **References Cited**

**U.S. PATENT DOCUMENTS**

D544,514 S \* 6/2007 Tanifuji et al. .... D16/202  
D561,800 S \* 2/2008 Sadatsuki et al. .... D16/202  
D575,317 S \* 8/2008 Hayashi et al. .... D16/202

The elements shown in broken lines are for illustrative purposes only and form no part of the claimed design.

**1 Claim, 7 Drawing Sheets**



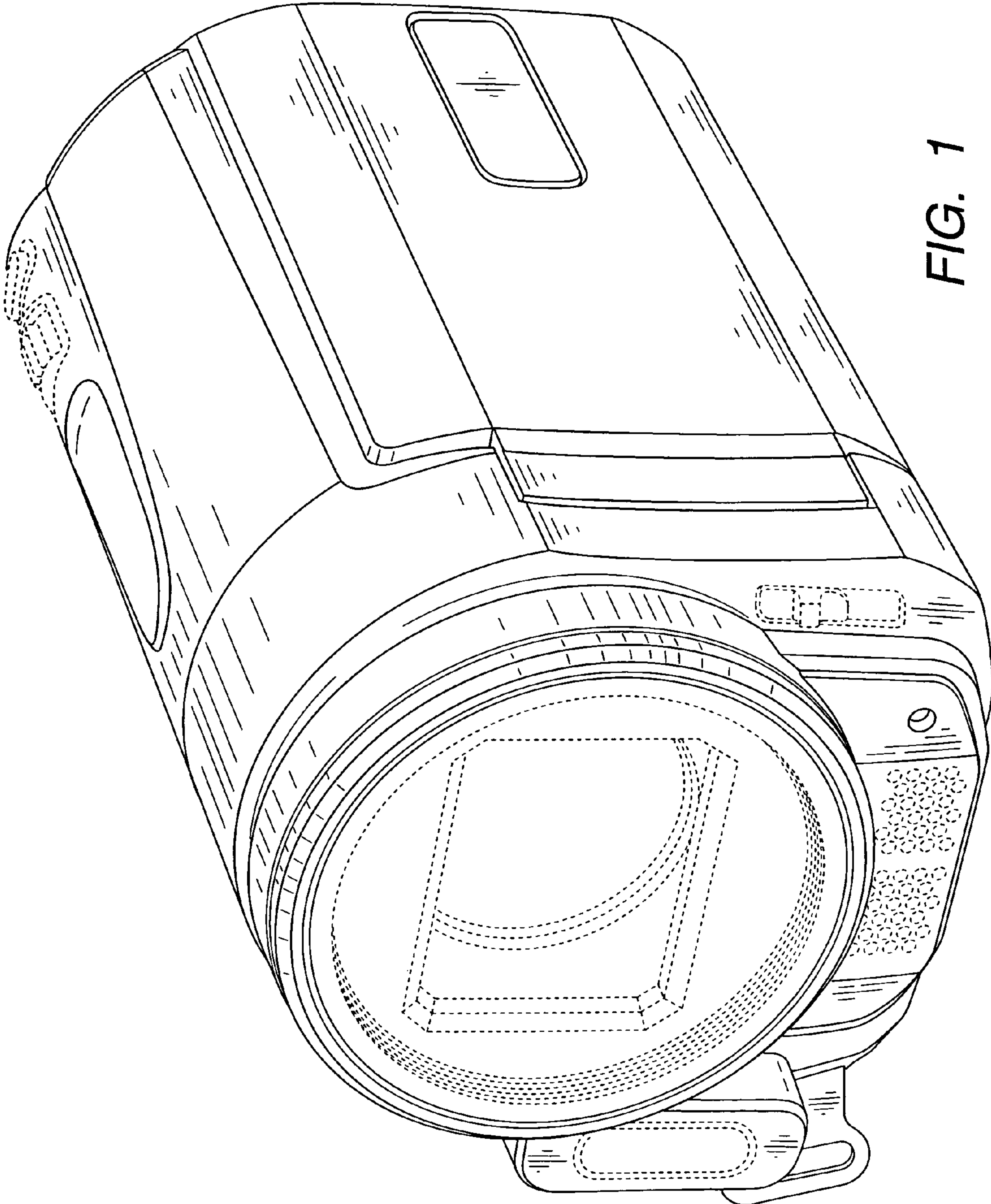
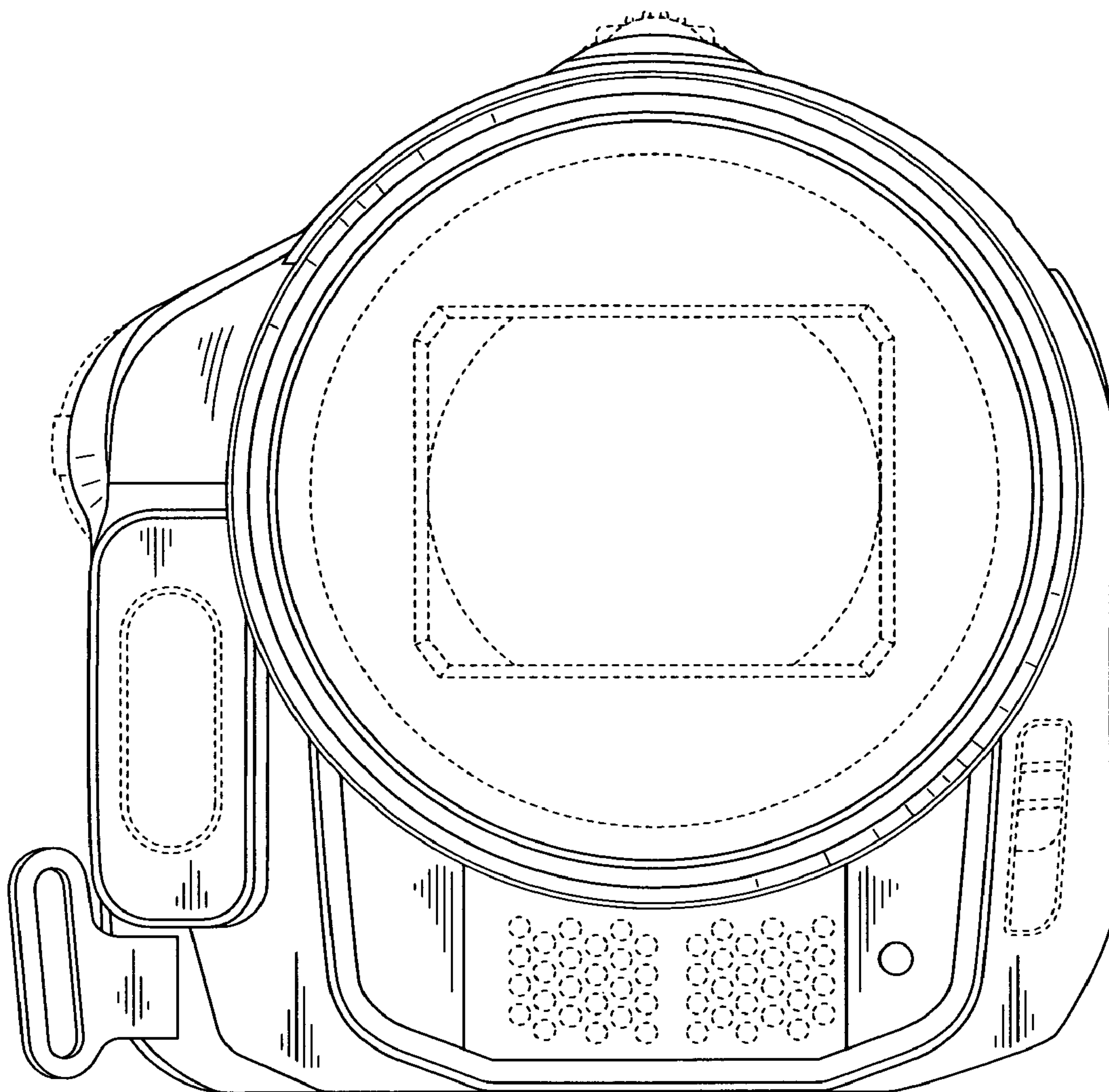
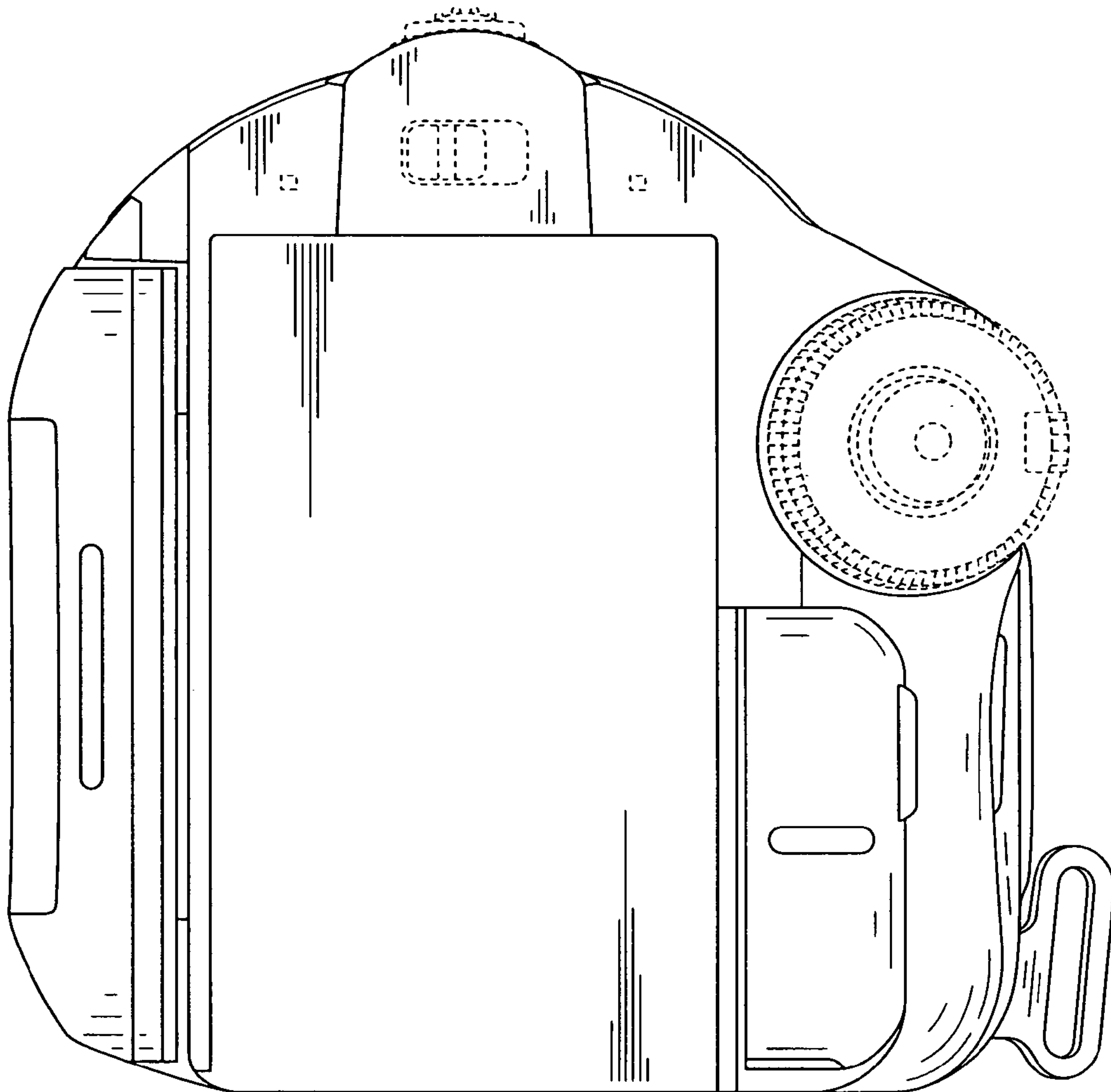


FIG. 1



**FIG. 2**





*FIG. 3*

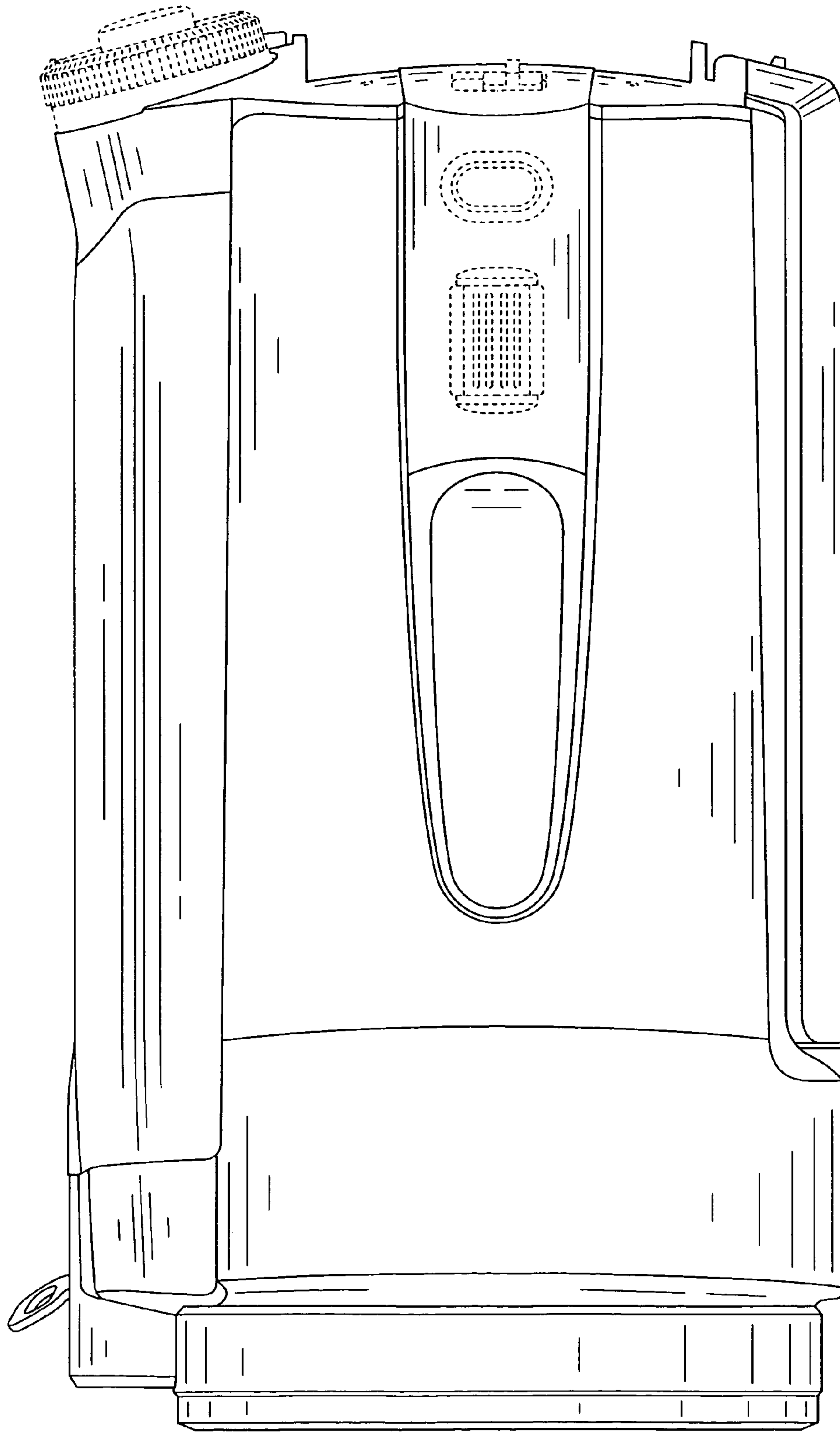


FIG. 4

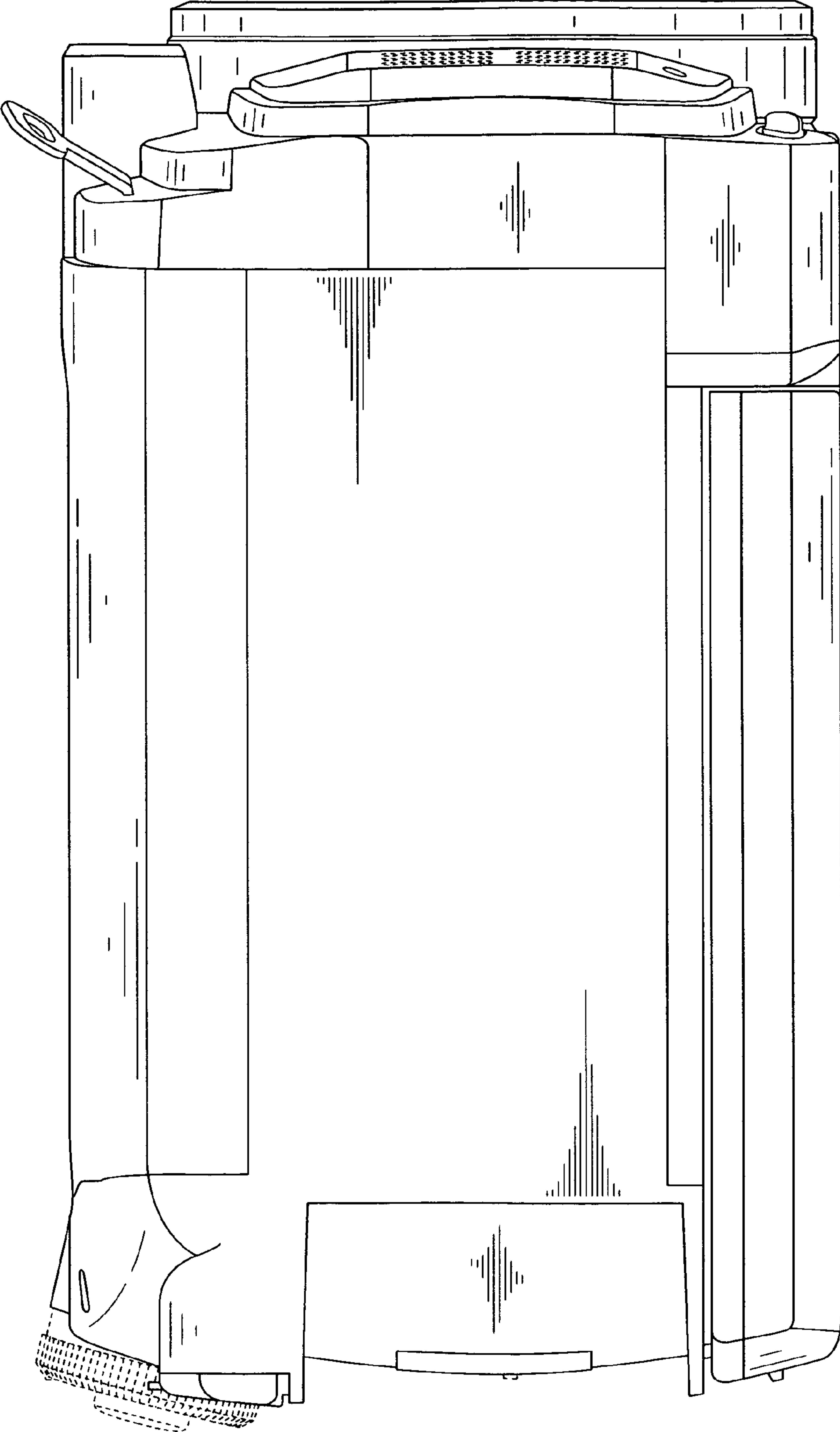


FIG. 5

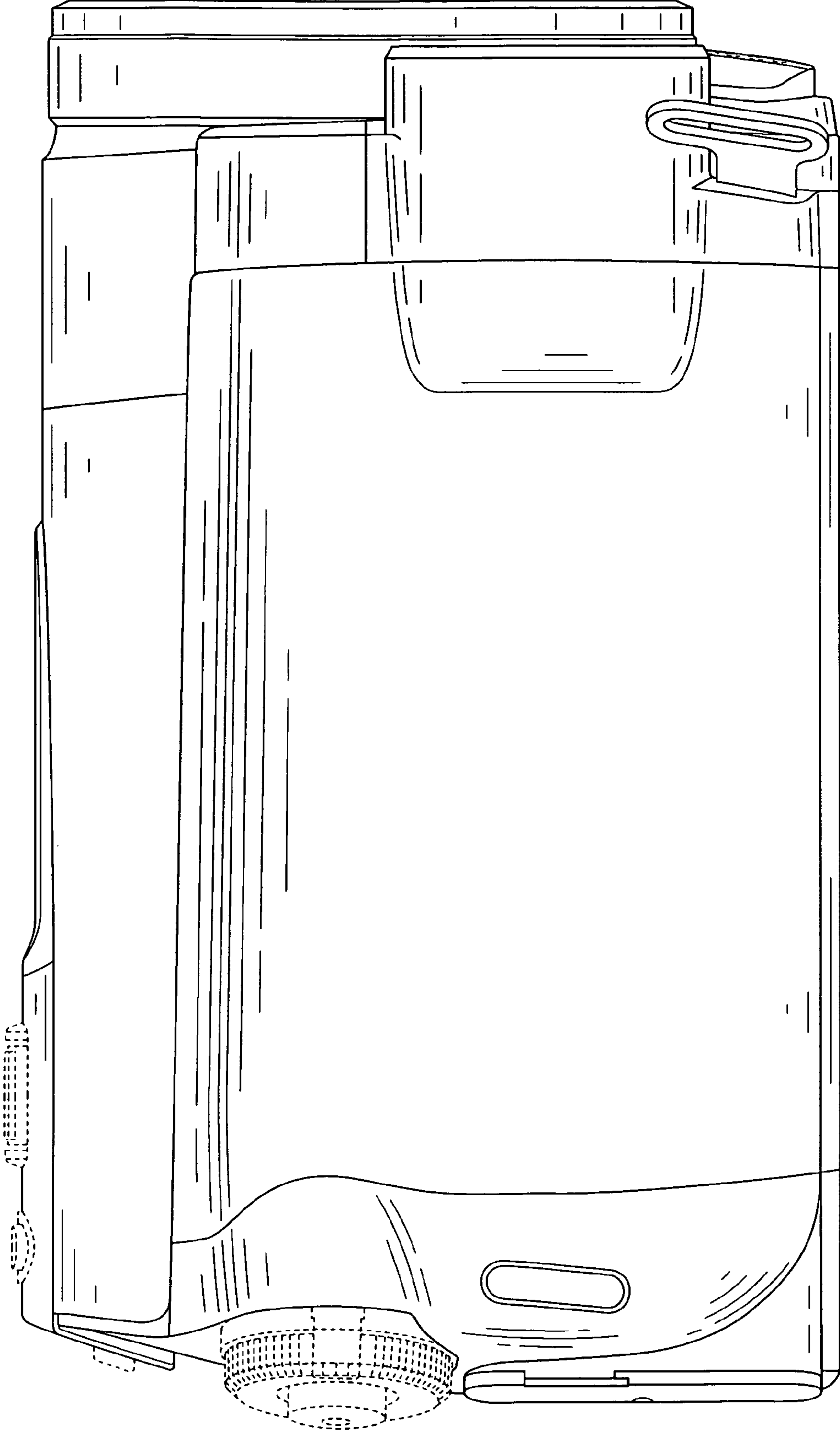


FIG. 6

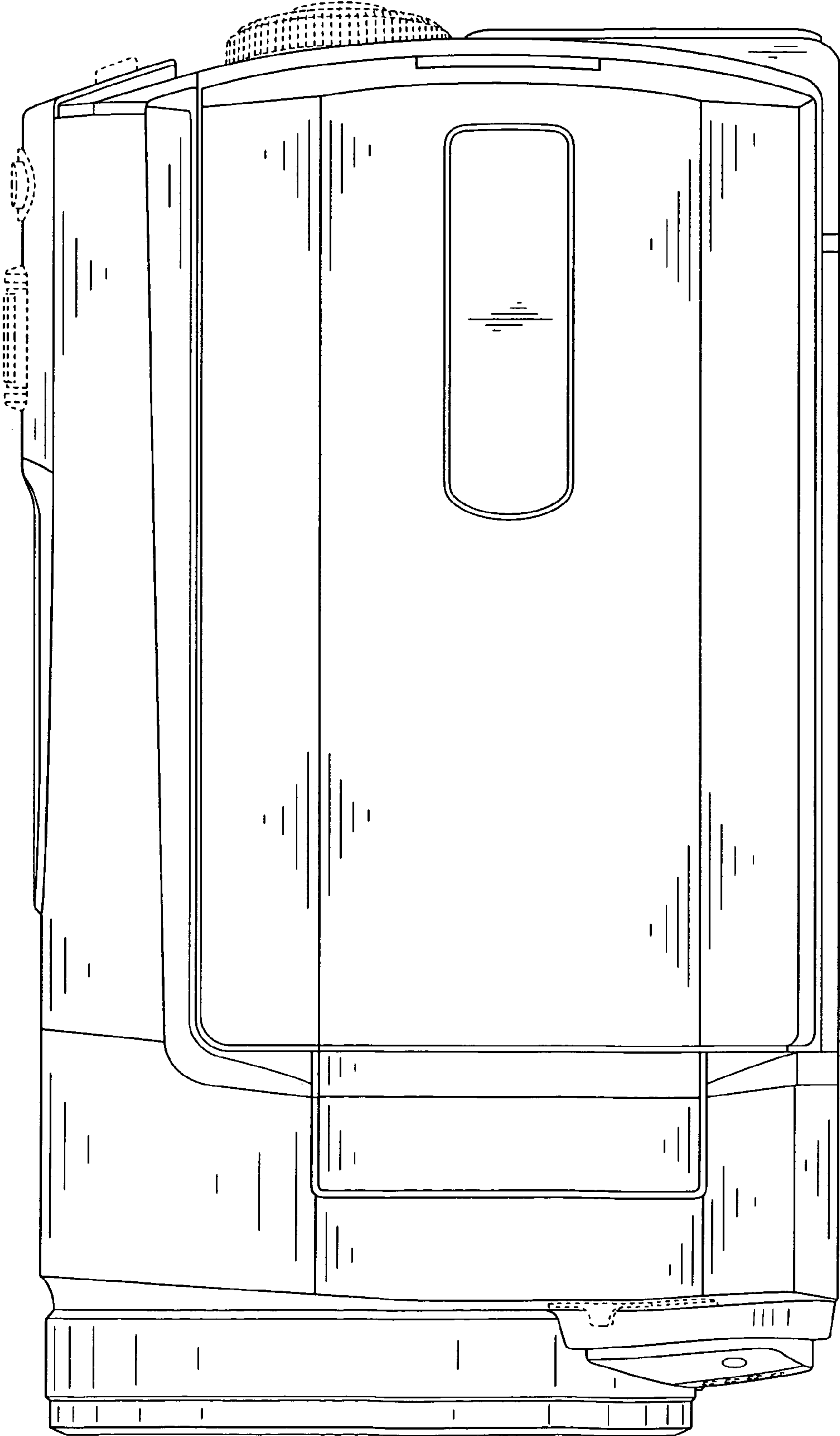


FIG. 7