



US00D593587S

(12) **United States Design Patent**  
**Hamilton**

(10) **Patent No.:** **US D593,587 S**  
(45) **Date of Patent:** **\*\* Jun. 2, 2009**

(54) **BINOCULAR INTERPUPILLARY DISTANCE LOCK APPARATUS**

(75) Inventor: **Samuel J. Hamilton**, Mount Horeb, WI (US)

(73) Assignee: **Sheltered Wings, Inc.**, Middletown, WI (US)

(\*\*) Term: **14 Years**

(21) Appl. No.: **29/305,041**

(22) Filed: **Mar. 12, 2008**

(51) **LOC (9) Cl.** ..... **16-06**

(52) **U.S. Cl.** ..... **D16/133; D16/130**

(58) **Field of Classification Search** ..... D16/130, D16/131, 133, 134, 135, 219, 220, 338; 359/353, 359/382, 383, 384, 811, 819, 827, 409, 413; 403/321, 322.1; 16/338, 374  
See application file for complete search history.

(56) **References Cited**

**U.S. PATENT DOCUMENTS**

2,032,866	A *	3/1936	Black	.....	359/827
2,136,149	A *	11/1938	Nuchterlein	.....	359/827
2,287,468	A *	6/1942	Ciski	.....	359/827
3,431,043	A *	3/1969	Cassidy et al.	.....	359/413
D231,858	S *	6/1974	Huckenbeck	.....	D16/133
D240,458	S *	7/1976	Takah et al.	.....	D16/133

D241,165	S *	8/1976	Huckenbeck	.....	D16/133
D241,680	S *	9/1976	Huckenbeck	.....	D16/133
D241,978	S *	10/1976	Huckenbeck	.....	D16/133
D245,081	S *	7/1977	Gerdorn	.....	D16/133
4,909,617	A *	3/1990	Boyd	.....	359/511
D387,787	S *	12/1997	Palmer	.....	D16/130

\* cited by examiner

*Primary Examiner*—Paula Greene

(74) *Attorney, Agent, or Firm*—Langlotz Patent & Trademark Works, Inc.; Bennet K. Langlotz

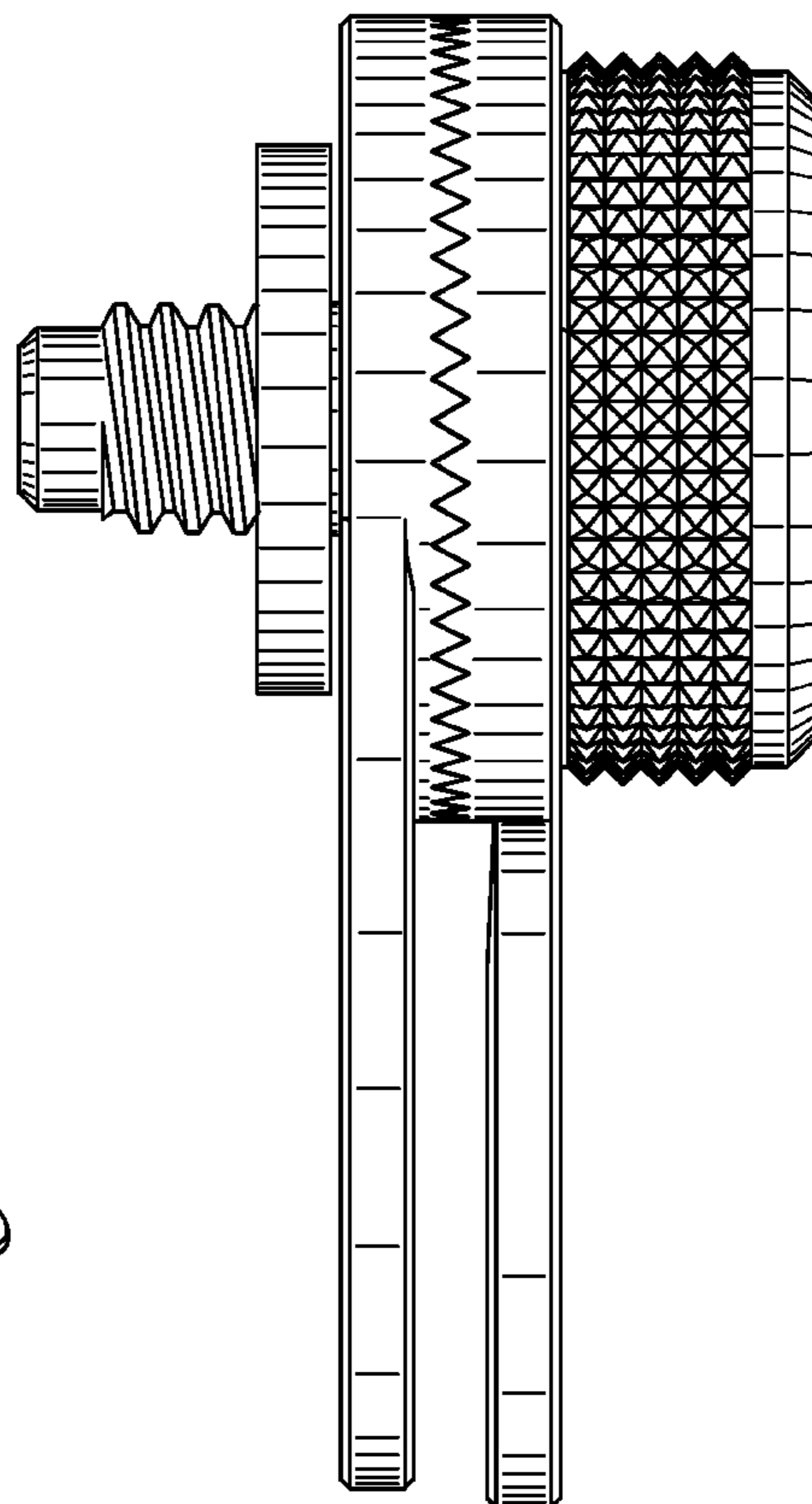
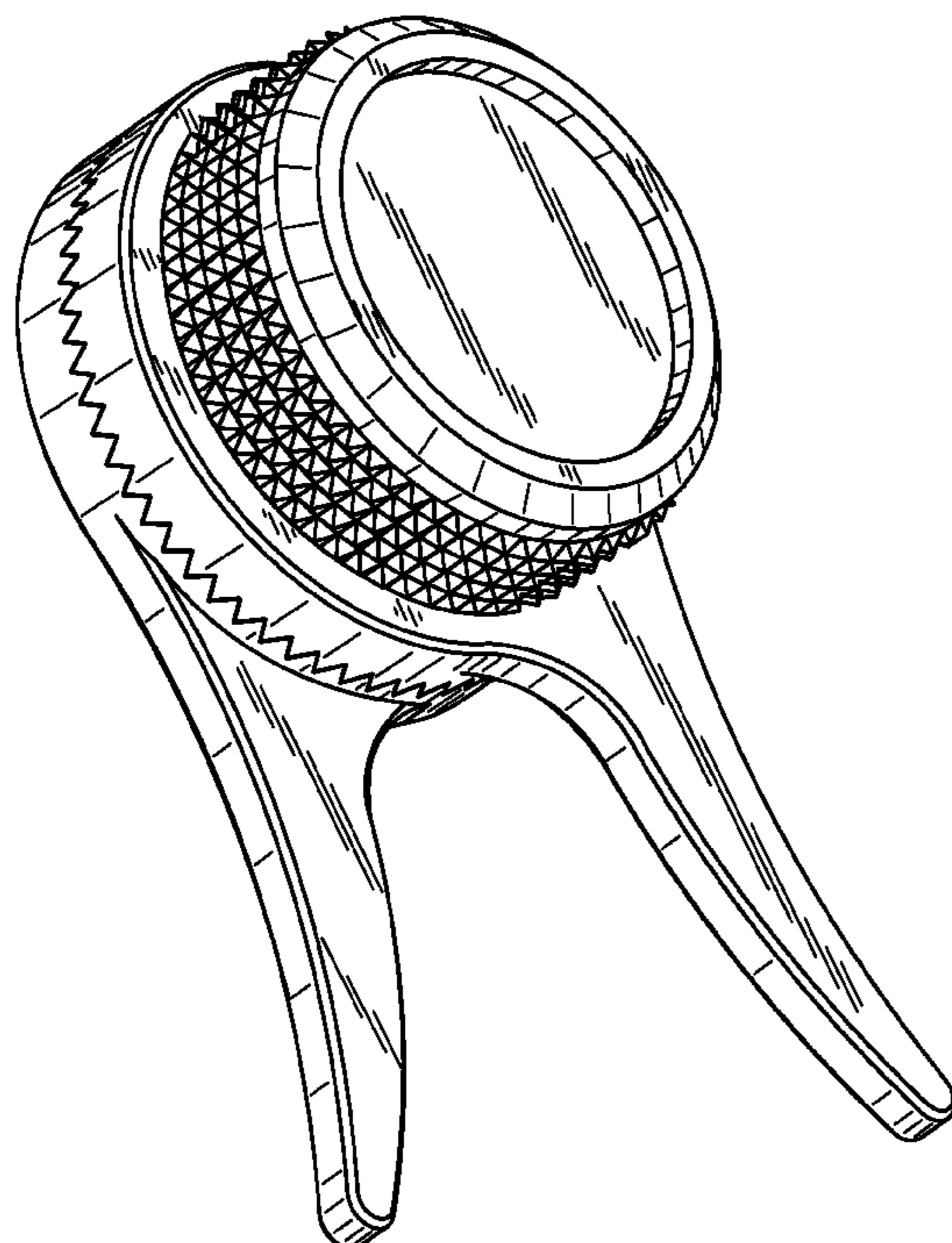
(57) **CLAIM**

The ornamental design for a binocular interpupillary distance lock apparatus, as shown and described.

**DESCRIPTION**

FIG. 1 is a front elevation view of a binocular interpupillary distance lock apparatus in accordance with the new design; FIG. 2 is a front, right and bottom perspective view thereof; FIG. 3 is a left elevation view thereof; FIG. 4 is a right elevation view thereof; FIG. 5 is a top plan view thereof; FIG. 6 is a bottom plan view thereof; FIG. 7 is a left and rear elevation view thereof; and, FIG. 8 is a rear elevation view thereof.

**1 Claim, 8 Drawing Sheets**



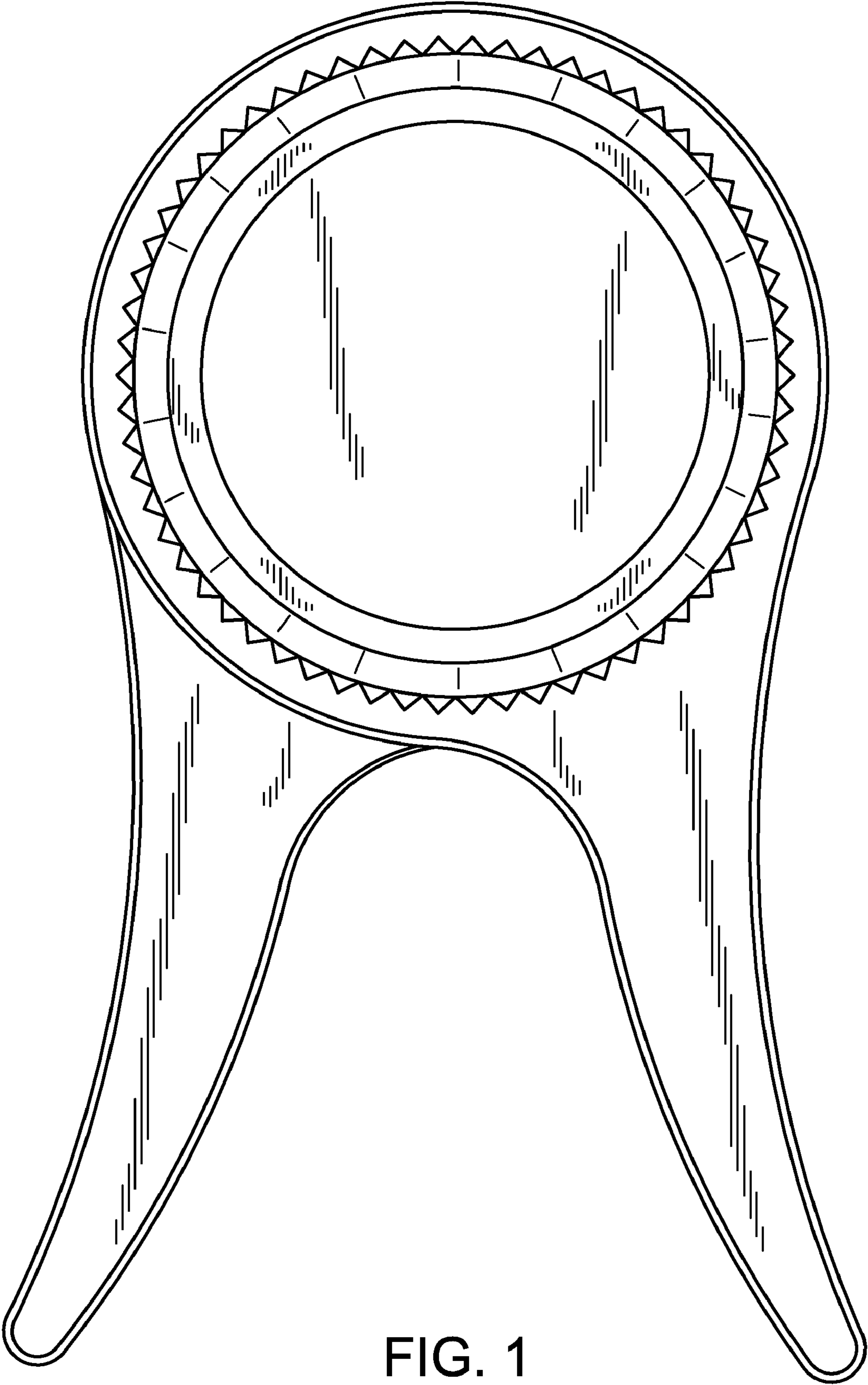


FIG. 1

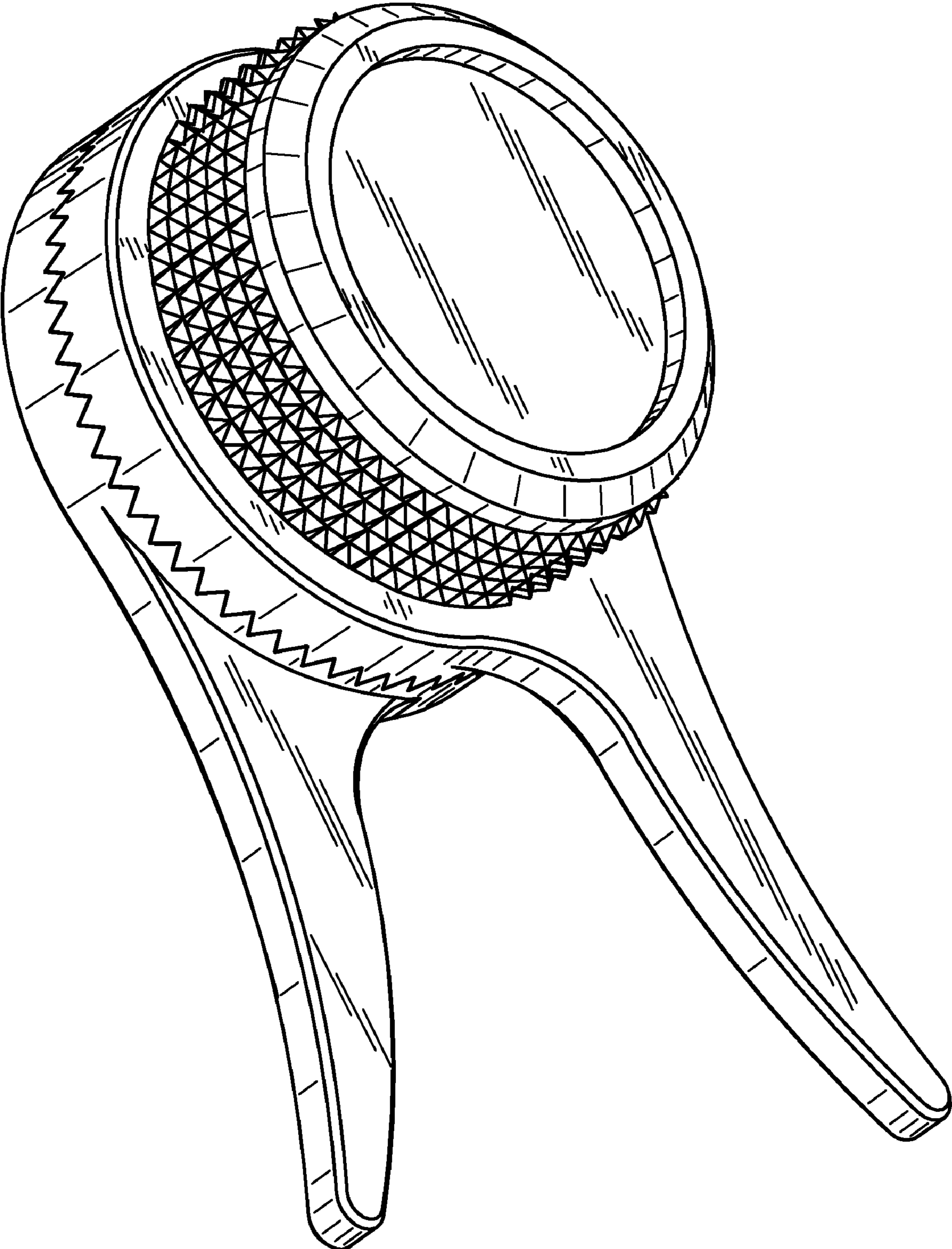


FIG. 2

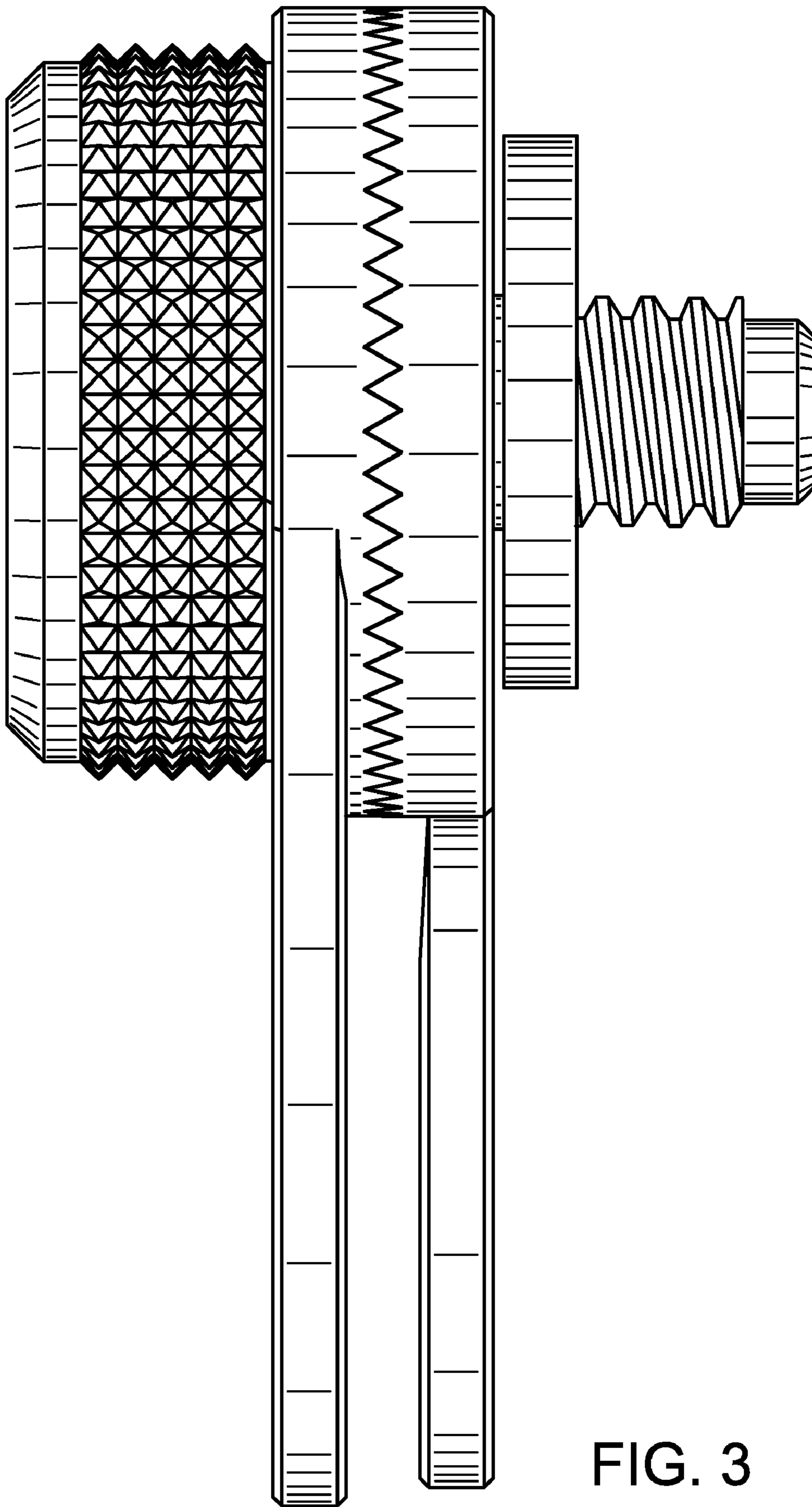


FIG. 3

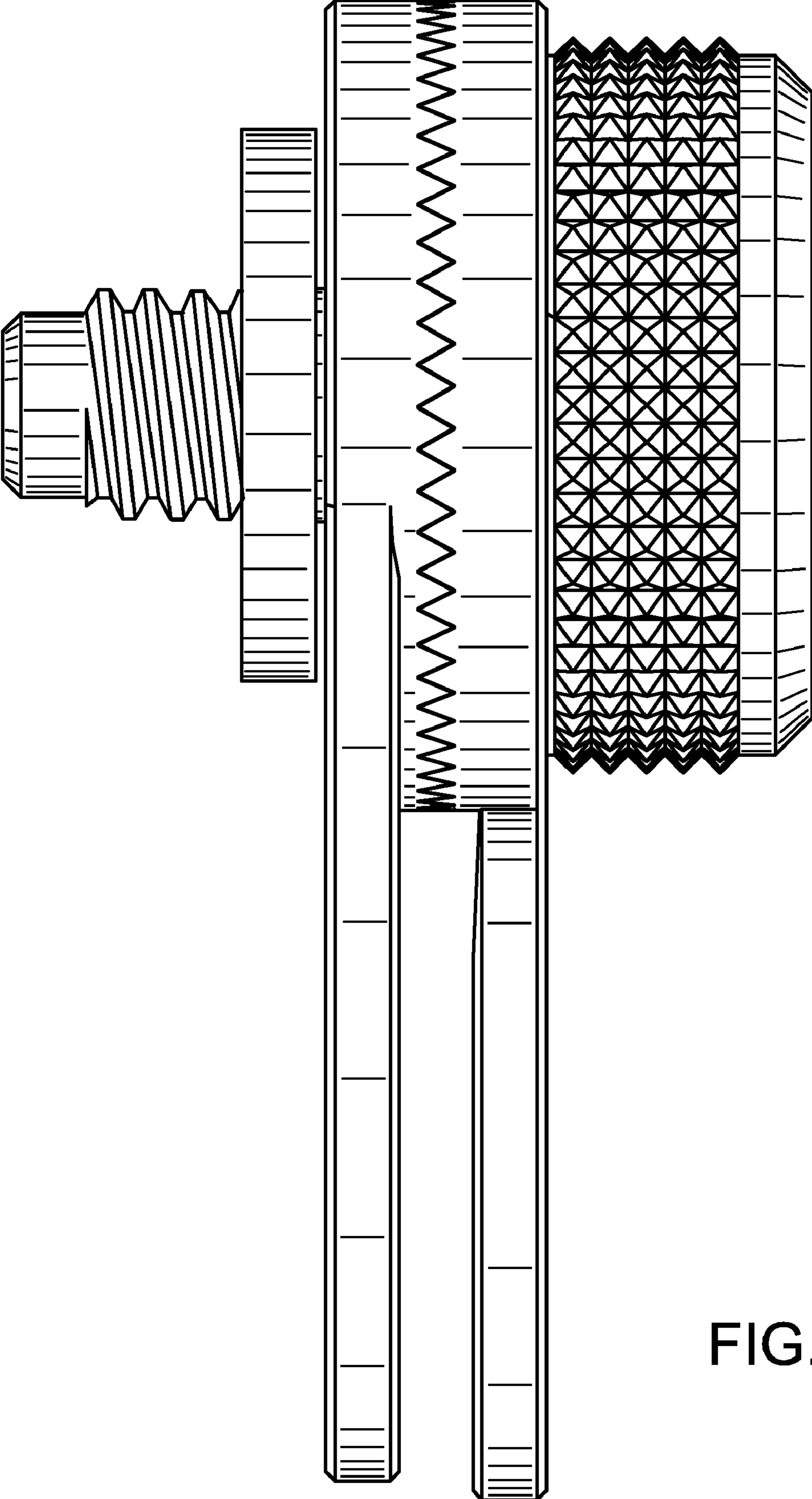


FIG. 4

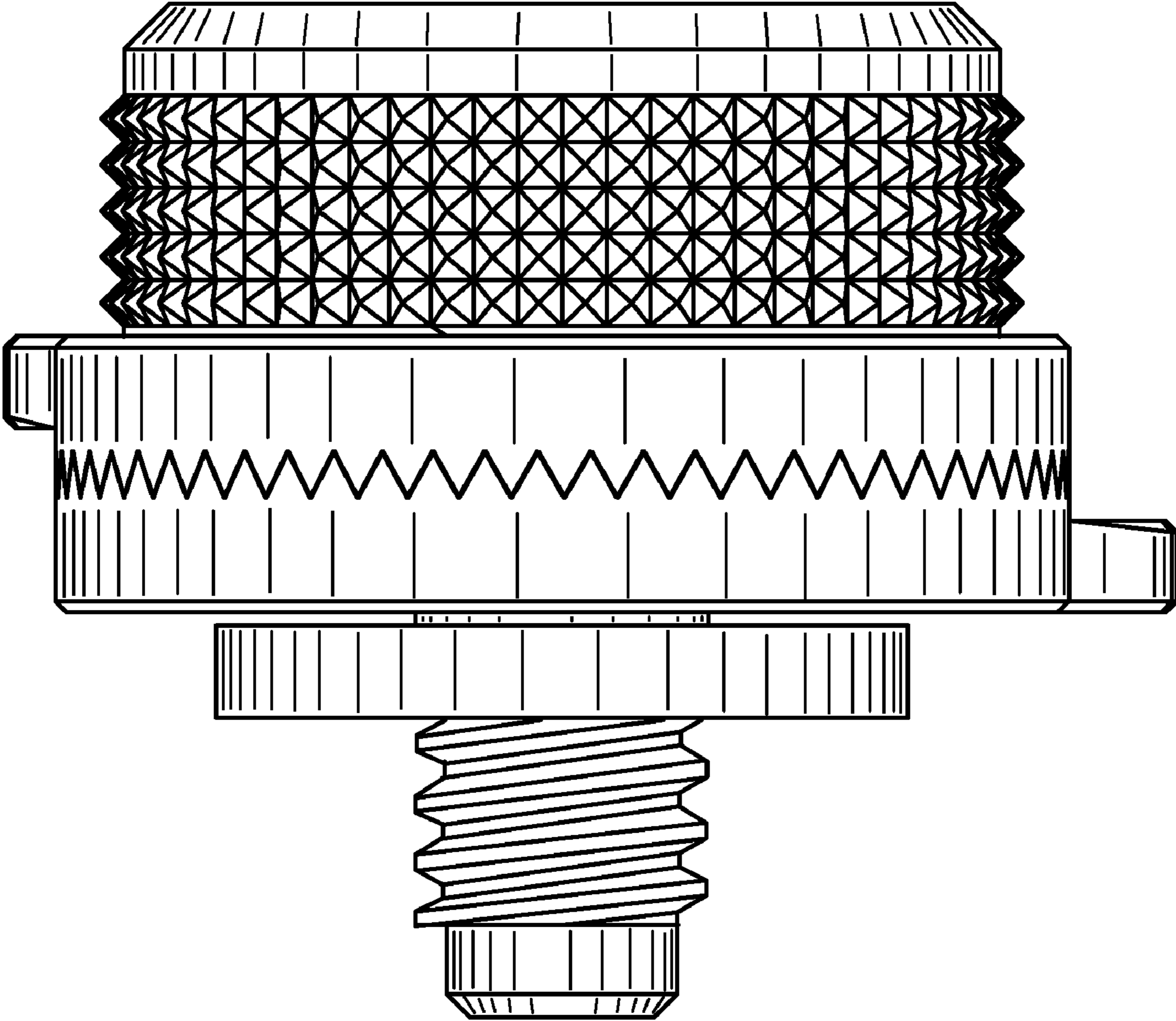


FIG. 5

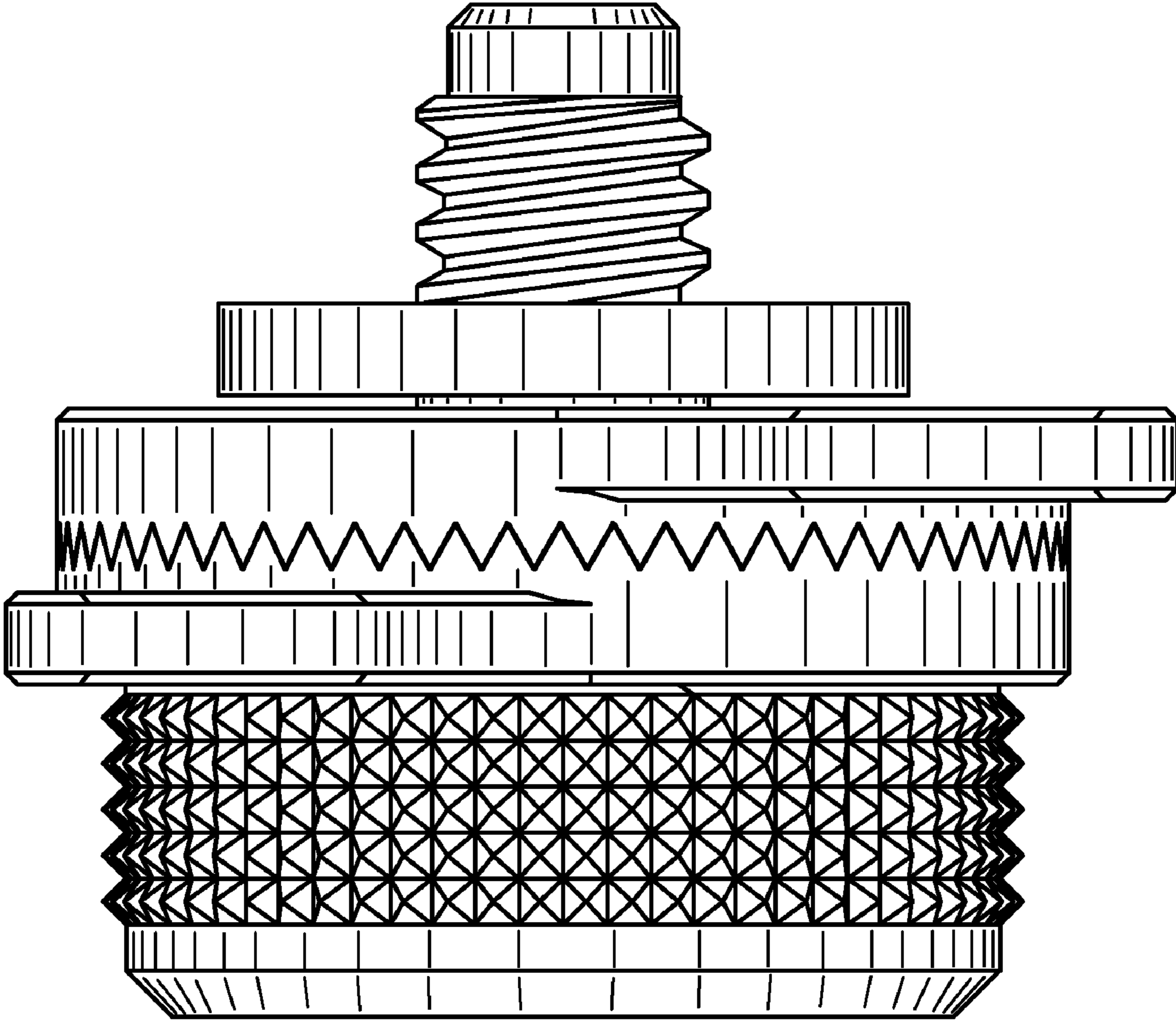


FIG. 6

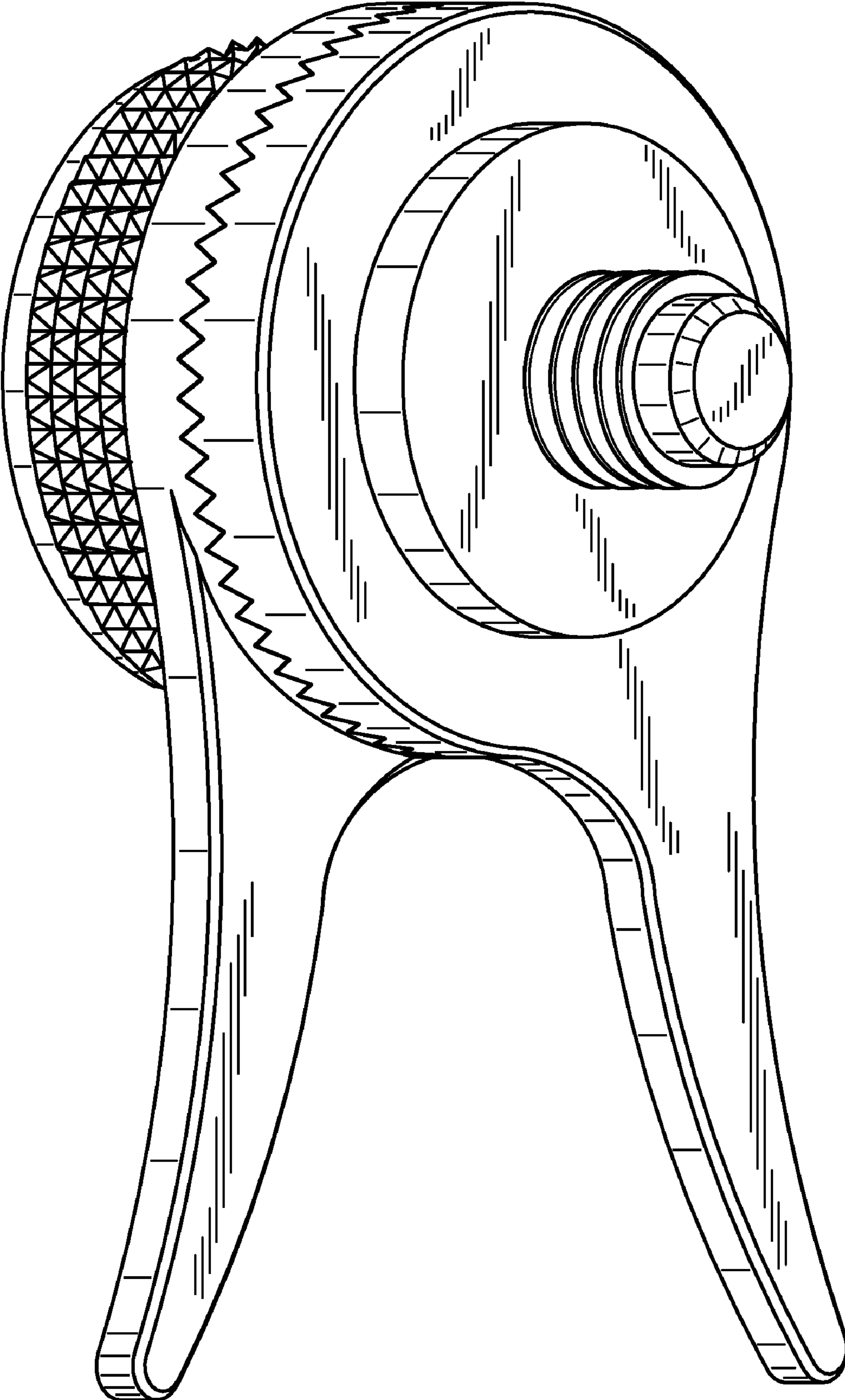


FIG. 7



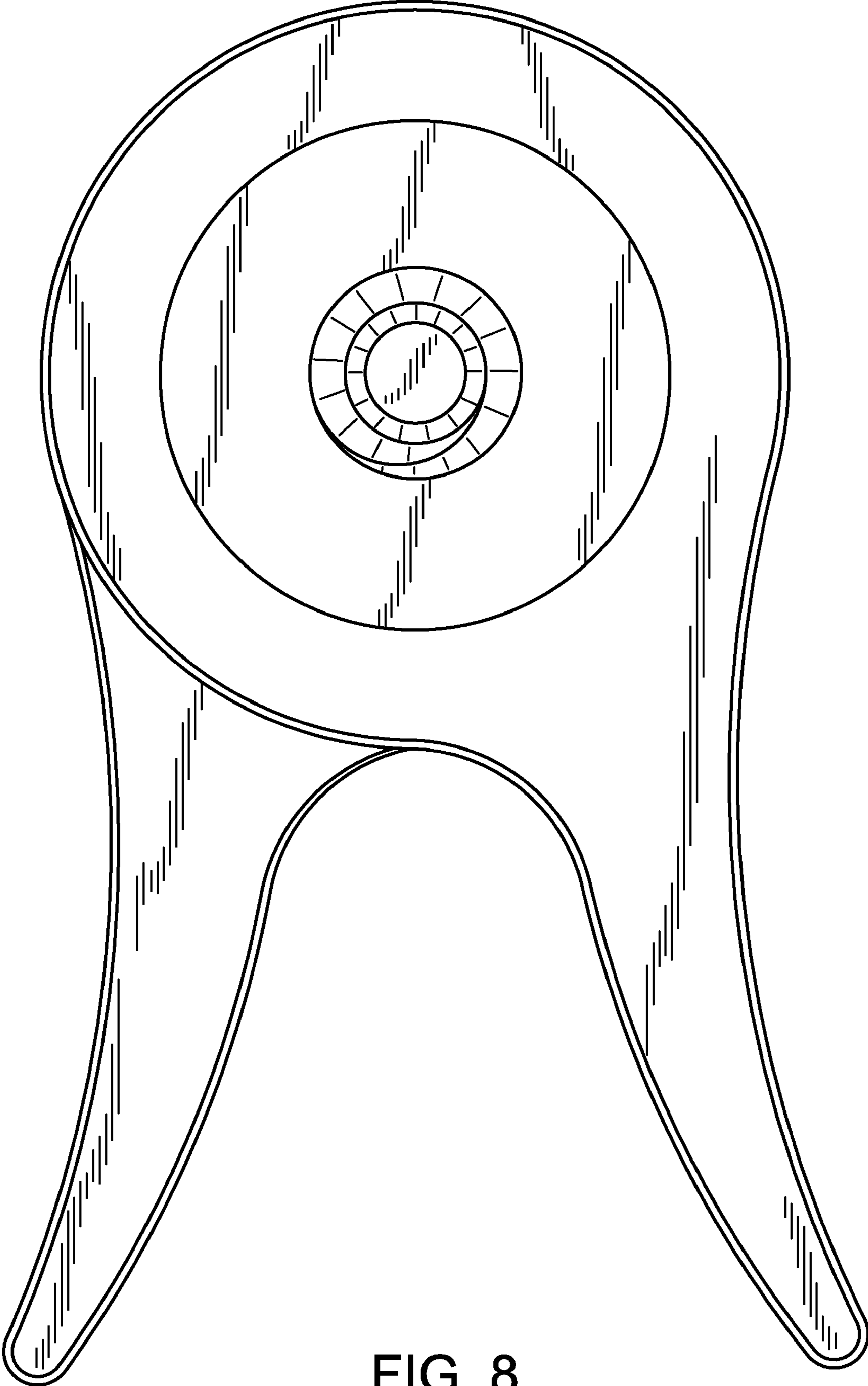


FIG. 8