



US00D593586S

(12) **United States Design Patent**  
**Hashimoto et al.**

(10) **Patent No.:** **US D593,586 S**  
(45) **Date of Patent:** **\*\* Jun. 2, 2009**

(54) **HEAT SEALER**

(75) Inventors: **Yasuo Hashimoto**, Osaka (JP); **Junichi Kawaguchi**, Osaka (JP); **Kazuyoshi Tarumoto**, Osaka (JP)

(73) Assignee: **Fujimpulse Co., Ltd.**, Osaka (JP)

(\*\*) Term: **14 Years**

(21) Appl. No.: **29/303,244**

(22) Filed: **Feb. 4, 2008**

(30) **Foreign Application Priority Data**

Dec. 27, 2007 (JP) ..... 2007-035975

(51) **LOC (9) Cl.** ..... **15-09**

(52) **U.S. Cl.** ..... **D15/146**

(58) **Field of Classification Search** ..... D15/144,  
D15/144.1, 144.2, 145, 146; D18/50, 54;  
53/258, 260, 284.7, 373, 373.2-373.8, 374.8,  
53/374.9, 390, 405, 432-434, 510-512, 526,  
53/529, DIG. 2, 570-572, 579; 156/497,  
156/515, 583.1-583.91; 219/230, 240, 243;  
400/613.1-613.4, 691-694

See application file for complete search history.

(56) **References Cited**

**U.S. PATENT DOCUMENTS**

D182,225 S \* 3/1958 Chaffee ..... D15/146  
D238,444 S \* 1/1976 Schipper ..... D15/146  
D277,386 S \* 1/1985 Yamada ..... D15/146  
D281,169 S \* 10/1985 Hillier ..... D15/146  
D285,799 S \* 9/1986 Yamada ..... D15/146  
D289,054 S \* 3/1987 Coleby ..... D15/146

(Continued)

**FOREIGN PATENT DOCUMENTS**

JP 960844 8/1996

*Primary Examiner*—Sandra Snapp  
*Assistant Examiner*—Patricia Palasik

(74) *Attorney, Agent, or Firm*—Knobbe Martens Olson & Bear LLP

(57) **CLAIM**

The ornamental design for a heat sealer, as shown and described.

**DESCRIPTION**

FIG. 1 is a perspective view of a heat sealer showing our new design when a lid is closed.

FIG. 2 is a front view thereof when the lid is closed.

FIG. 3 is a back view thereof when the lid is closed.

FIG. 4 is a right side view thereof when the lid is closed.

FIG. 5 is a left side view thereof when the lid is closed.

FIG. 6 is a top view thereof when the lid is closed.

FIG. 7 is a bottom view thereof when the lid is closed.

FIG. 8 is a perspective view thereof when the lid is opened and the magnifying glass is in place for use.

FIG. 9 is a front view thereof when the lid is opened and the magnifying glass is in place for use.

FIG. 10 is a back view thereof when the lid is opened and the magnifying glass is in place for use.

FIG. 11 is a right view thereof when the lid is opened and the magnifying glass is in place for use.

FIG. 12 is a left view thereof when the lid is opened and the magnifying glass is in place for use.

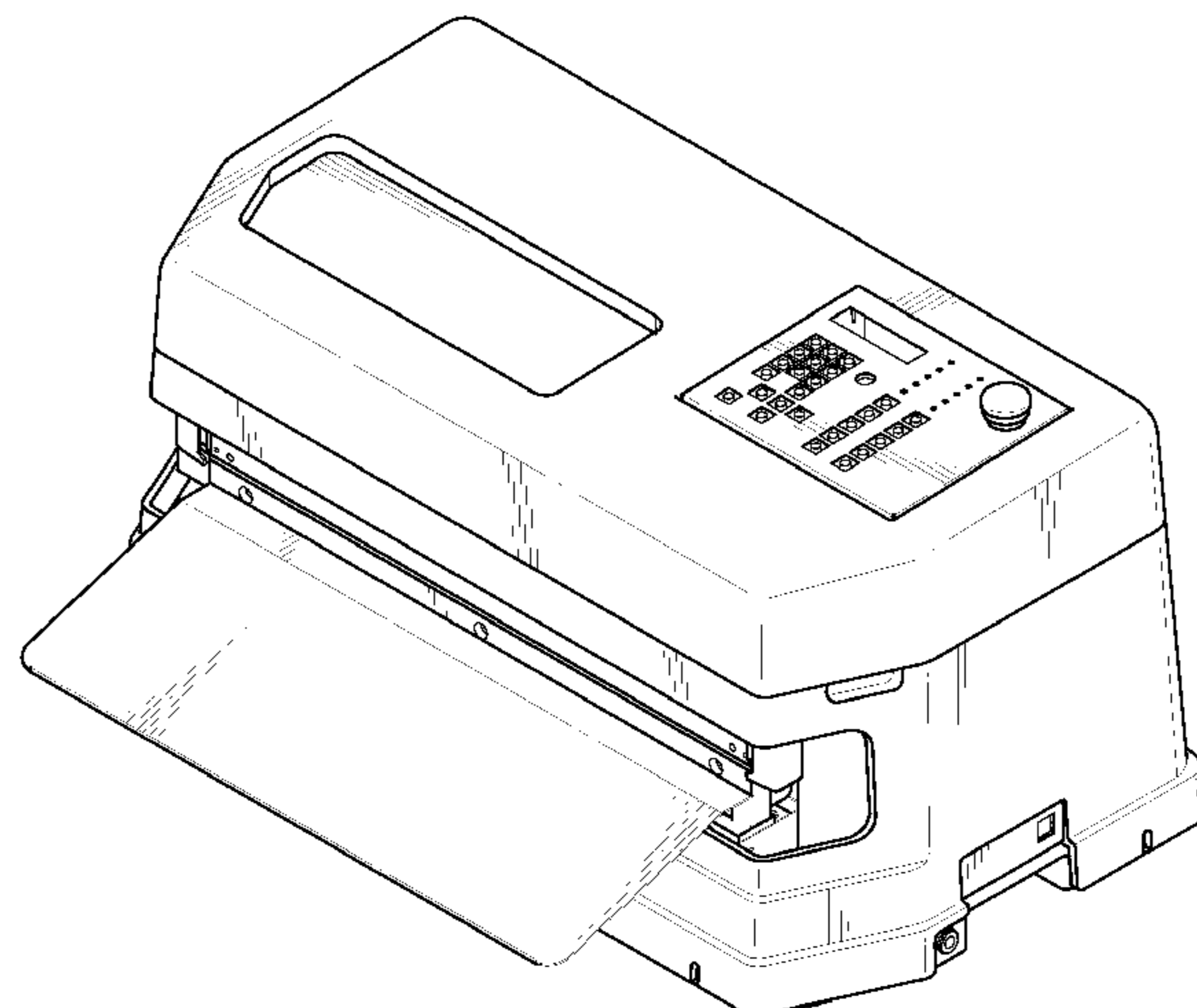
FIG. 13 is a top view thereof when the lid is opened and the magnifying glass is in place for use.

FIG. 14 is a bottom view thereof when the lid is opened; and,

FIG. 15 is a perspective view thereof where the lid is opened and the magnifying glass is on its side for storage.

The broken lines in FIGS. 7 and 14 are included for the purpose of illustrating portions of the heat sealer and form no part of the claimed design.

**1 Claim, 11 Drawing Sheets**



# US D593,586 S

Page 2

---

## U.S. PATENT DOCUMENTS

D298,758 S *	11/1988	Makihara .....	D15/146	D442,198 S *	5/2001	Yamashita .....	D15/145
D301,238 S *	5/1989	Makihara .....	D15/146	D443,638 S *	6/2001	Kobayashi et al. ....	D18/54
5,232,538 A *	8/1993	Liu .....	156/359	D448,403 S *	9/2001	Omuro et al. ....	D14/425
D373,596 S *	9/1996	Sekine et al. ....	D18/55	D501,503 S *	2/2005	Leong et al. ....	D18/55
D441,394 S *	5/2001	Kobayashi et al. ....	D18/54	D561,822 S *	2/2008	Tatara et al. ....	D18/50

\* cited by examiner

FIG. 1

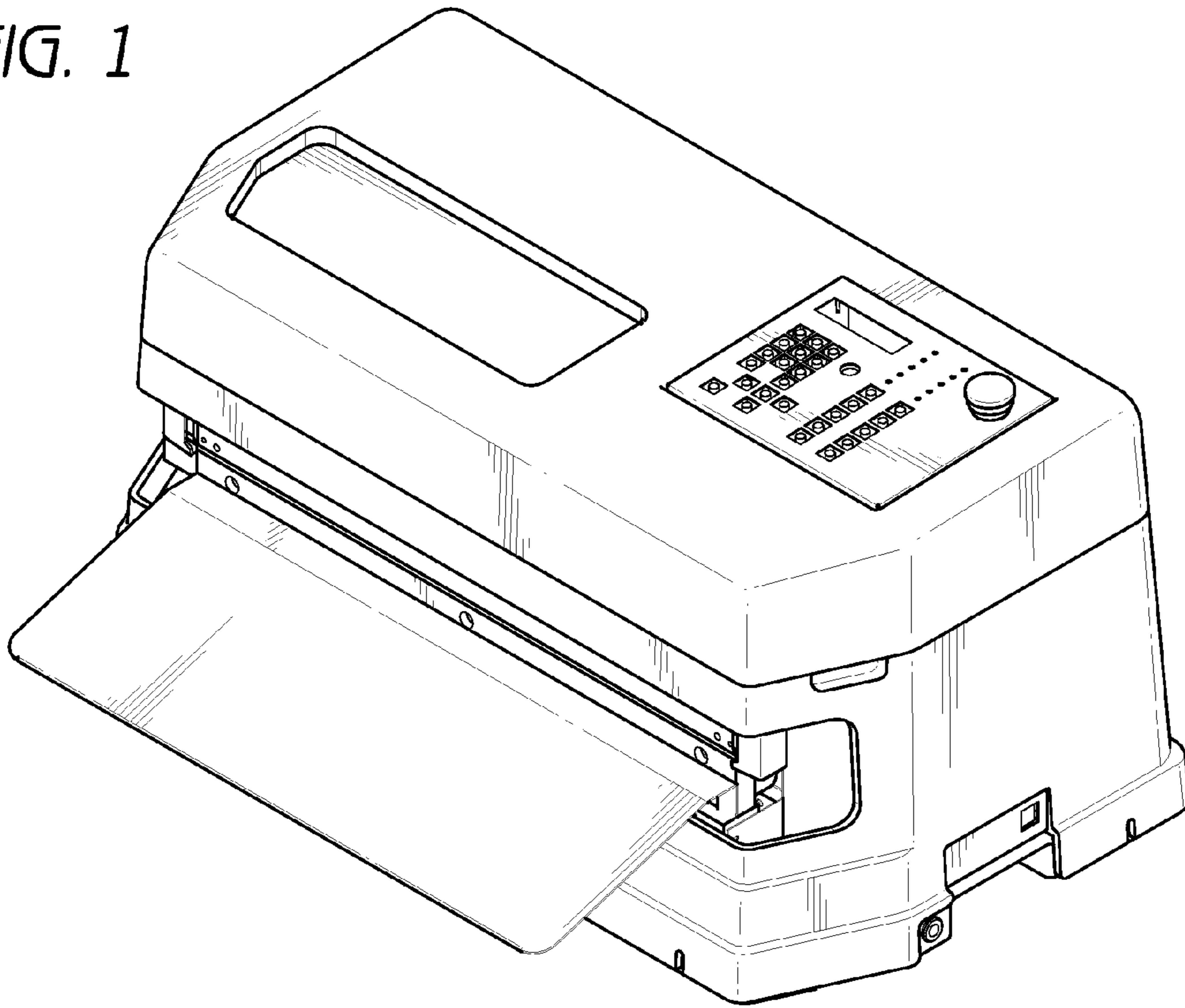


FIG. 2

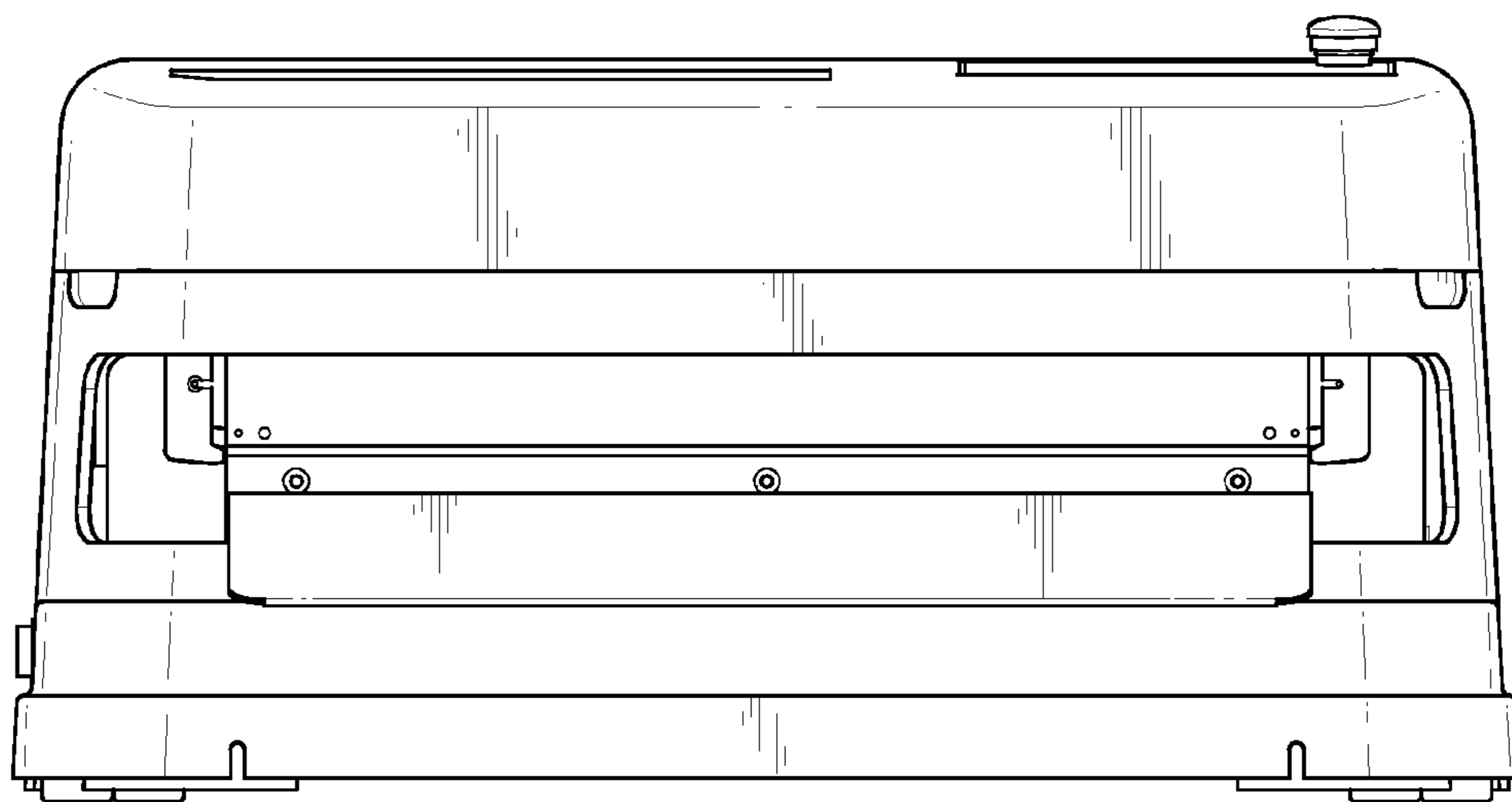


FIG. 3

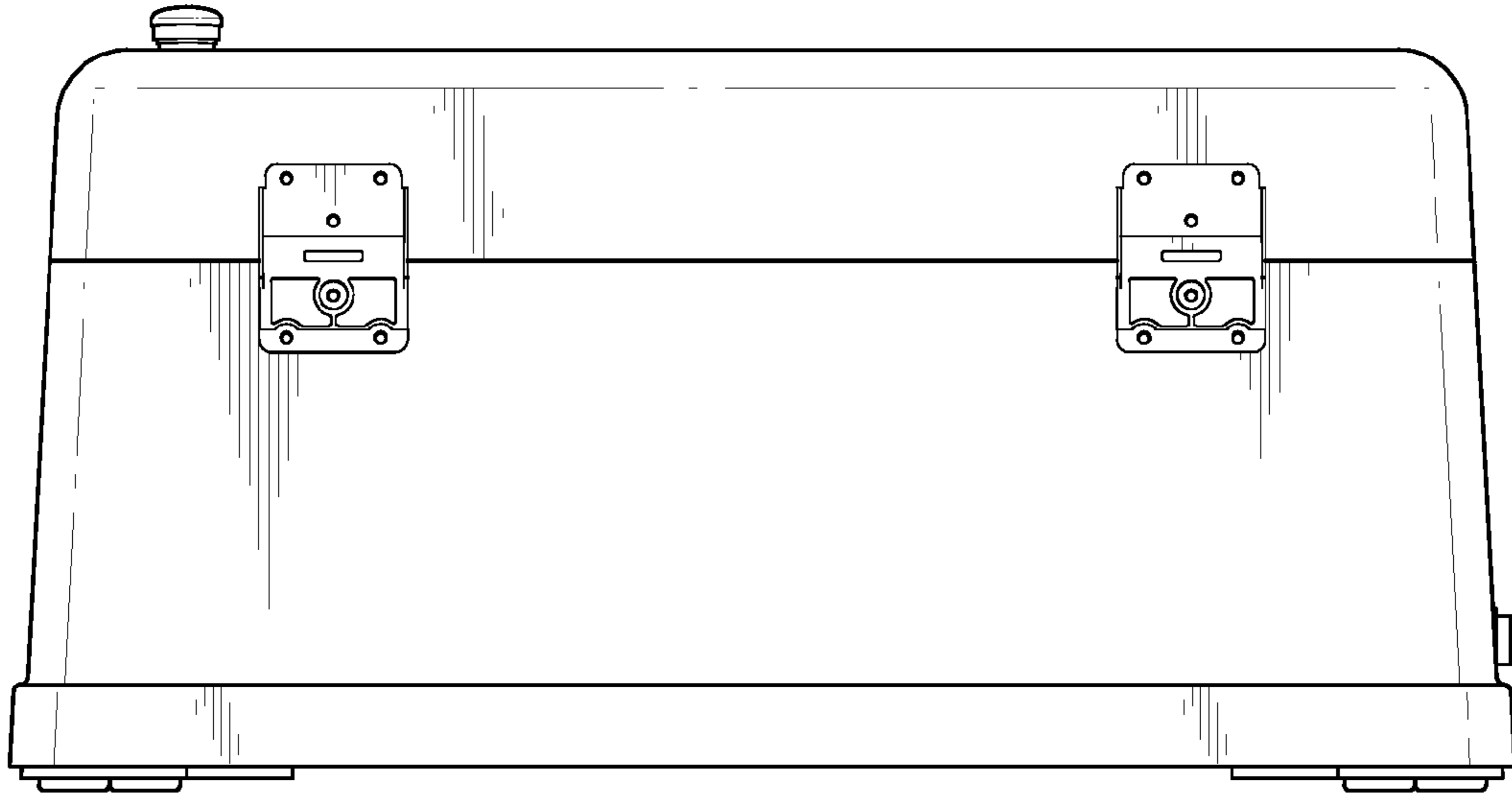


FIG. 4

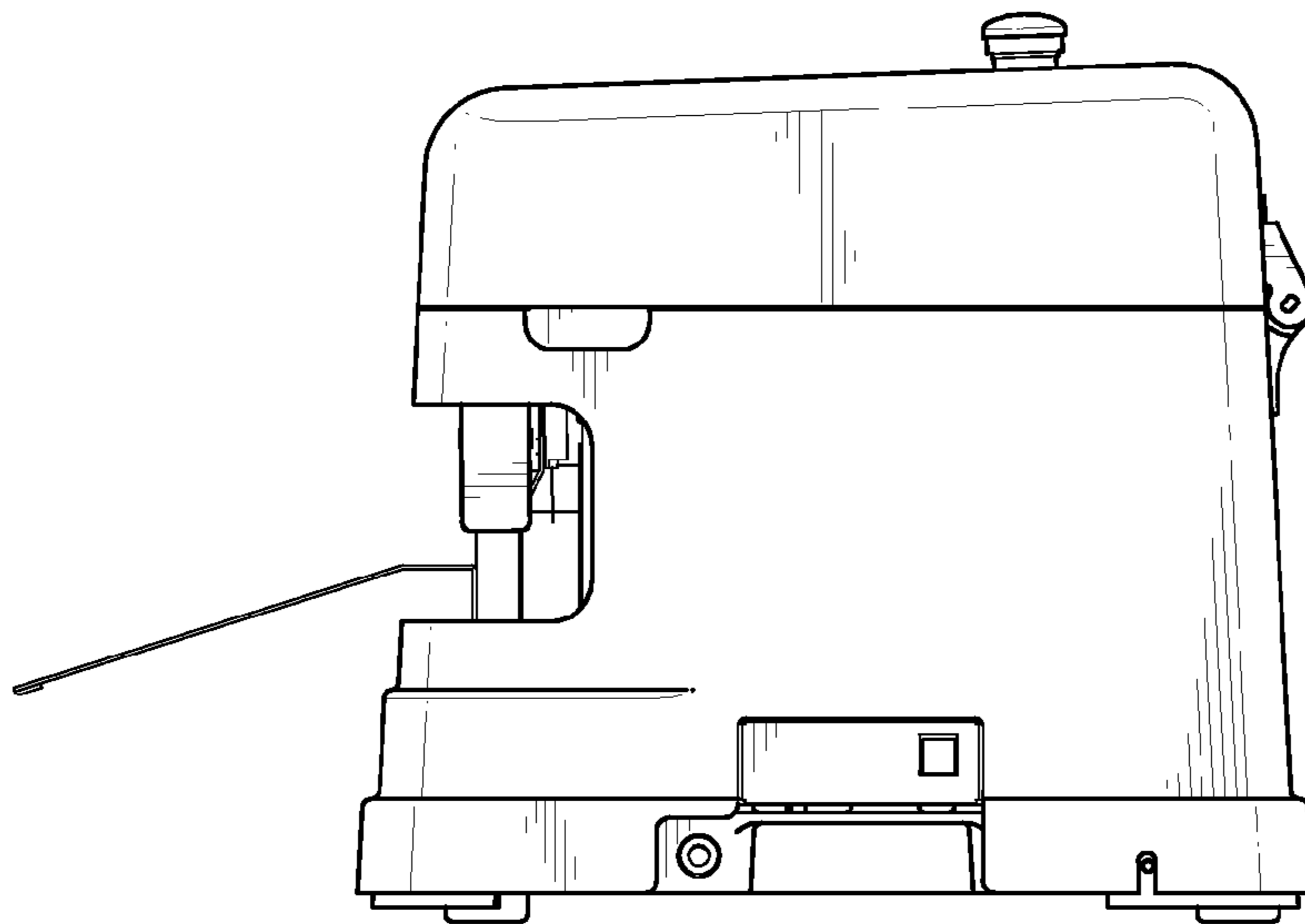


FIG. 5

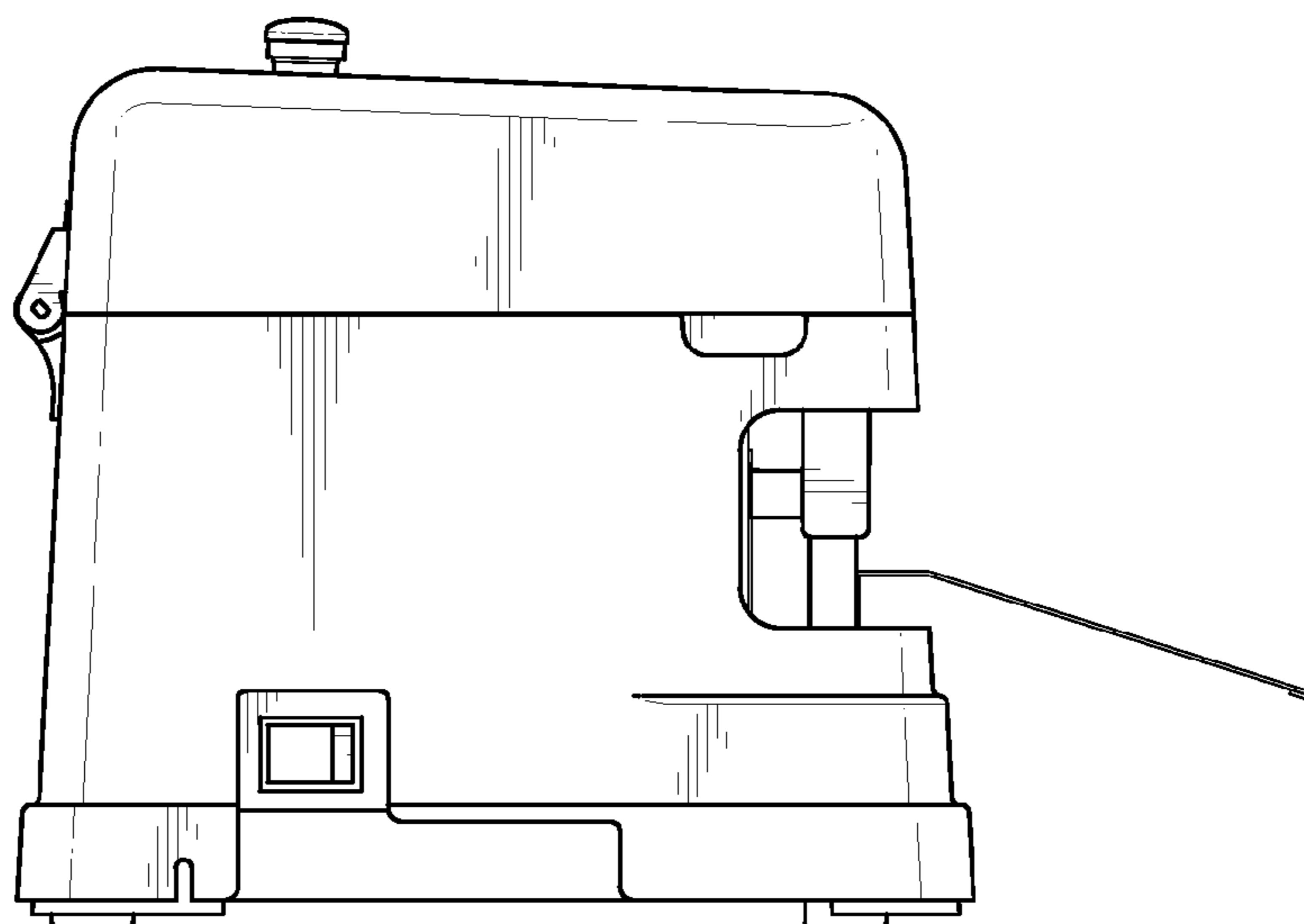
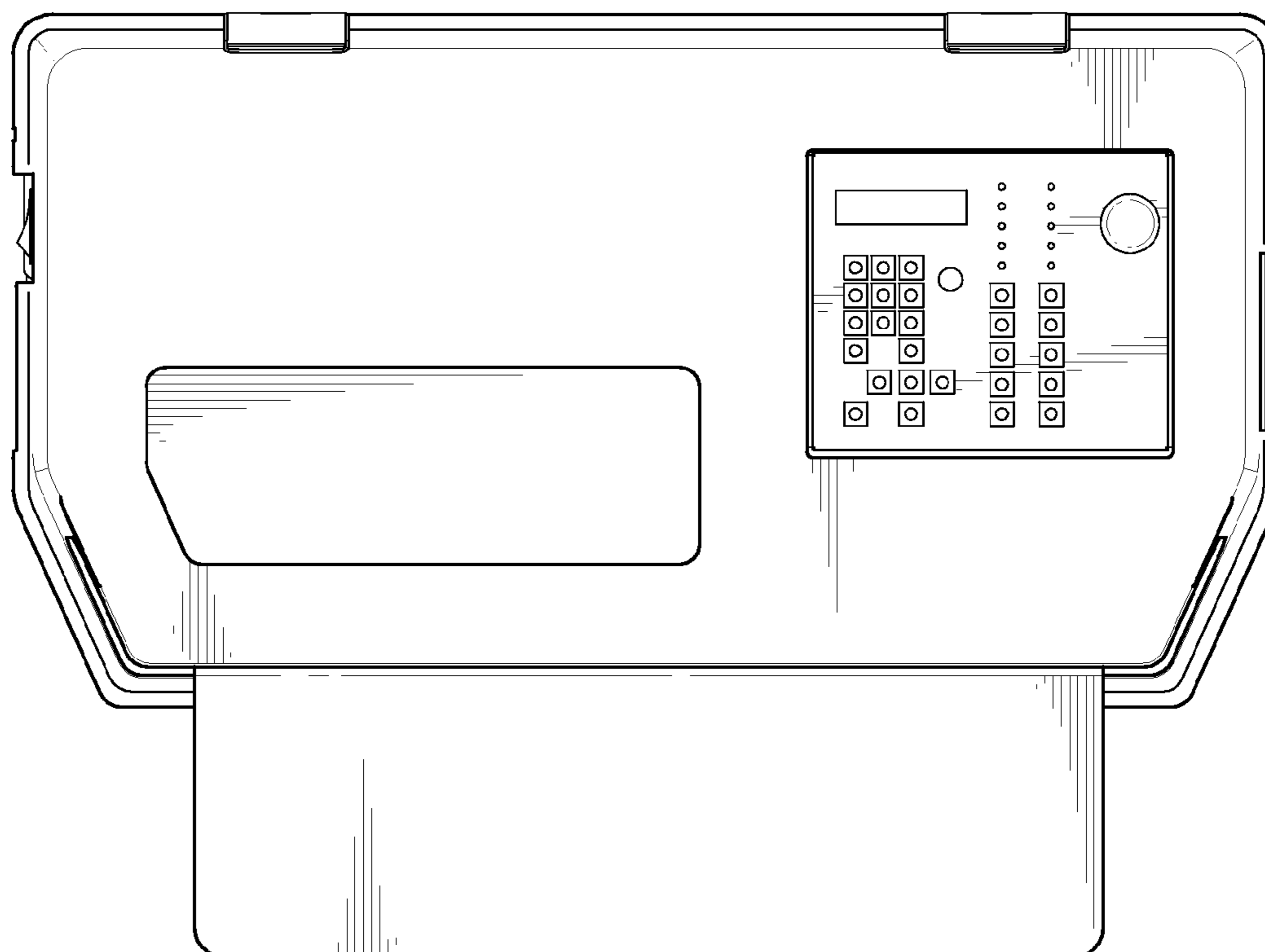


FIG. 6



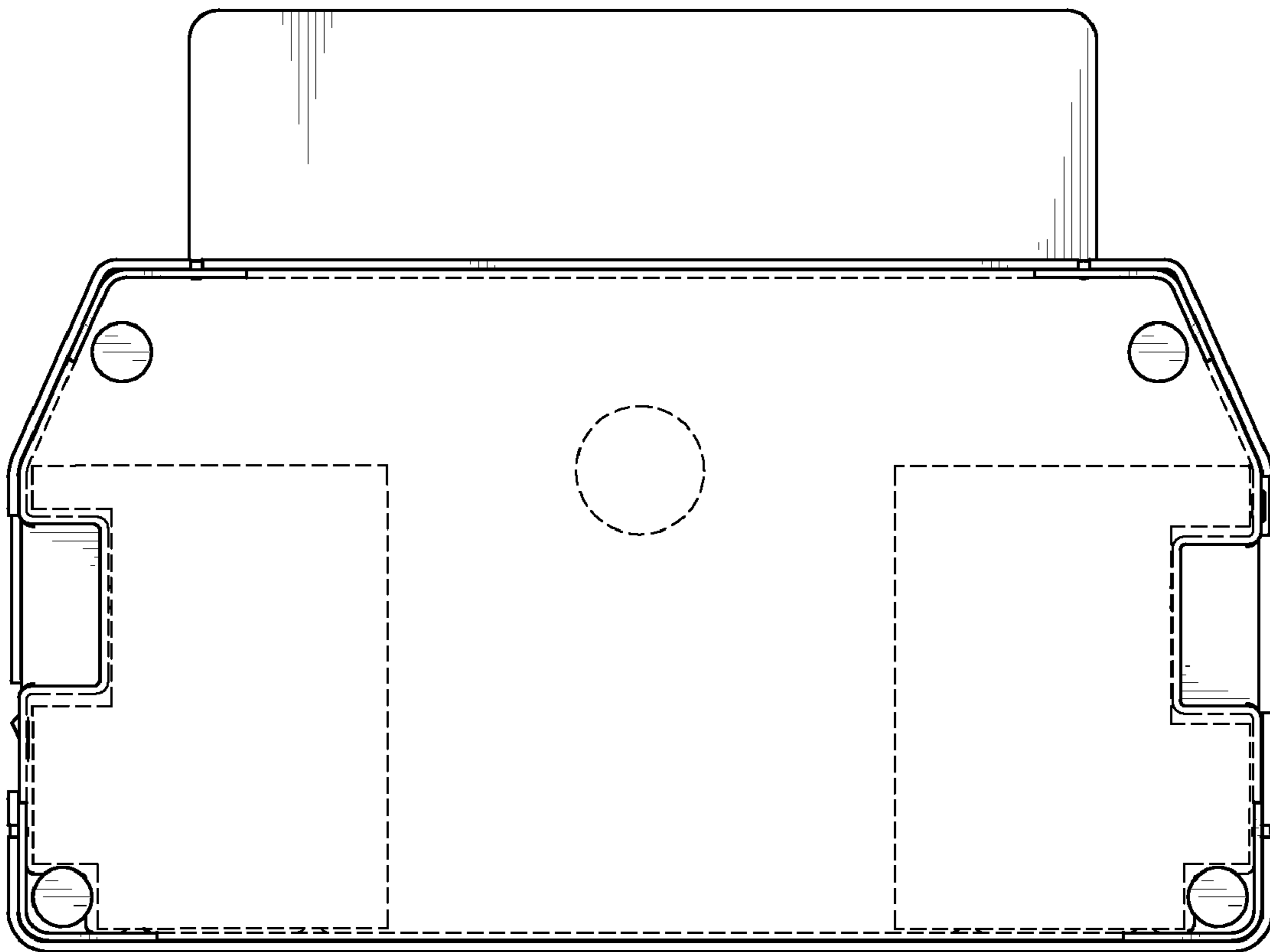
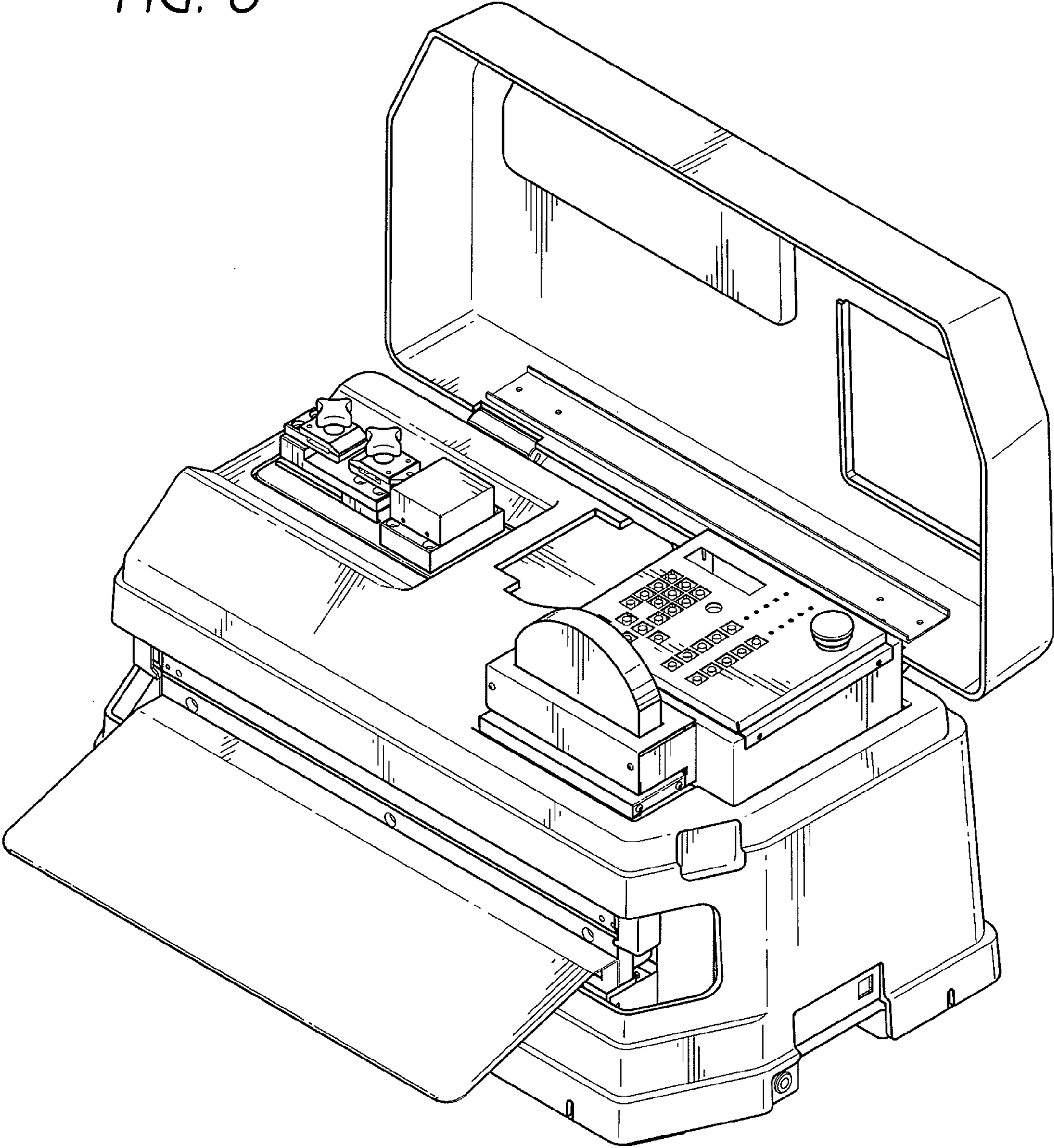


FIG. 7

FIG. 8



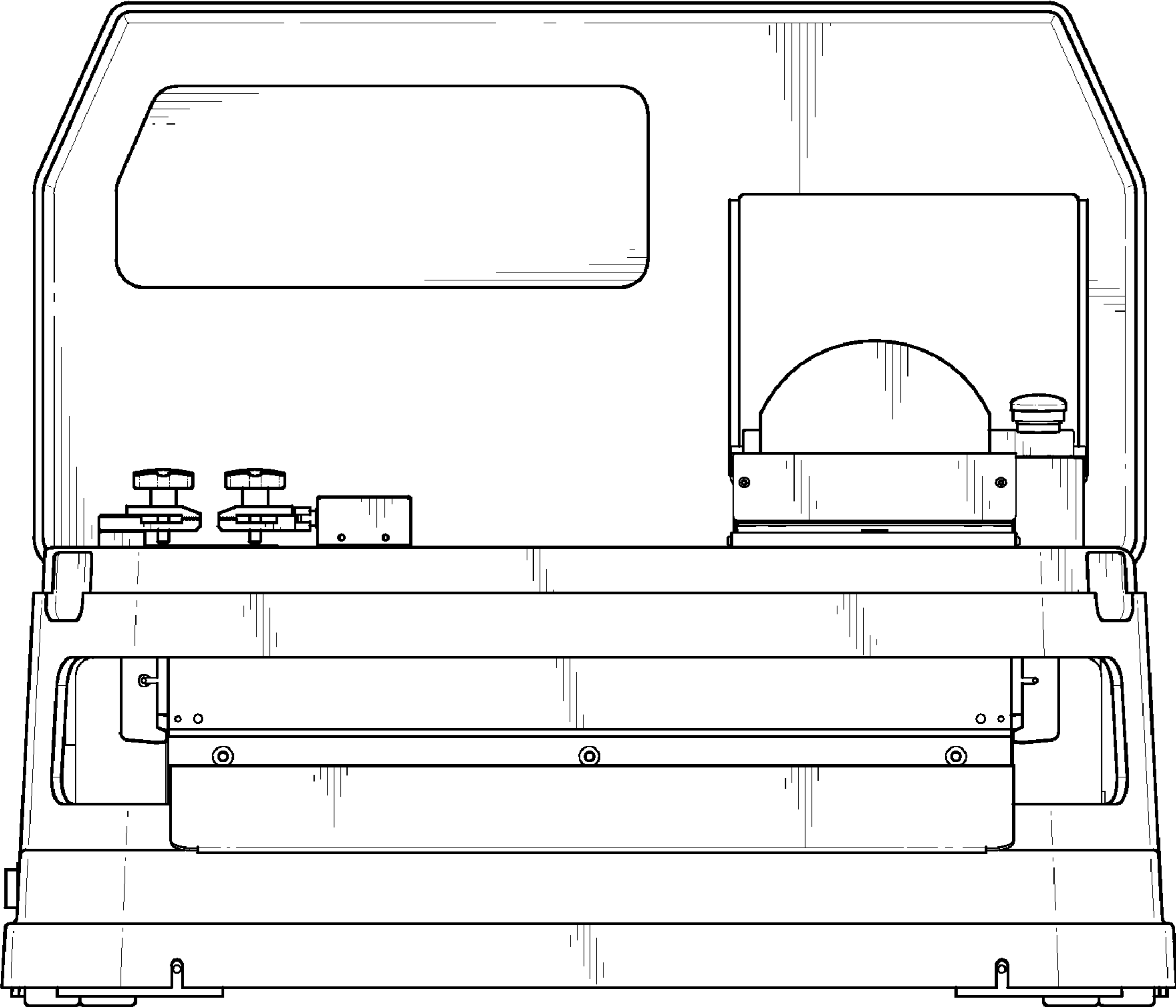


FIG. 9



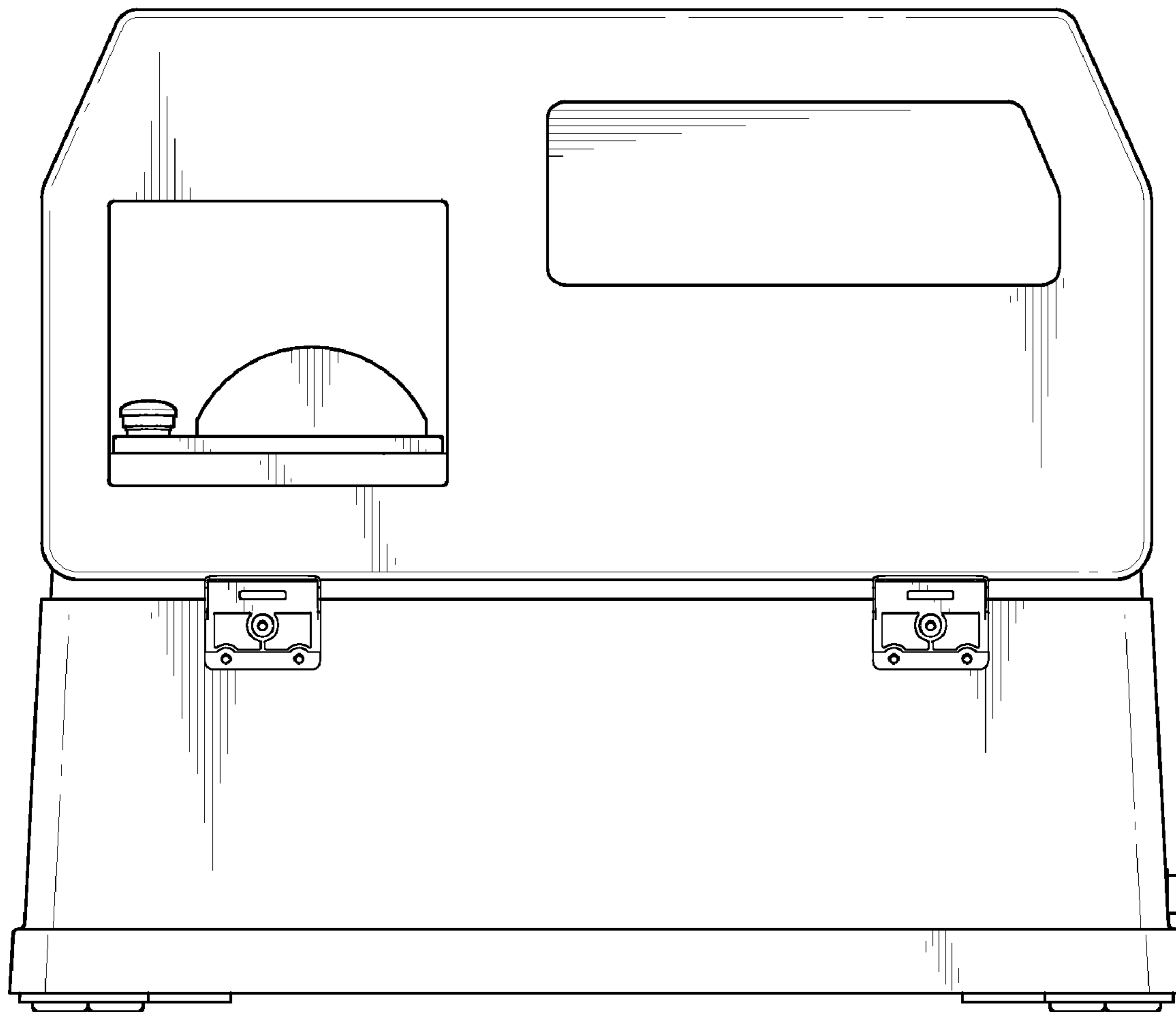


FIG. 10

FIG. 11

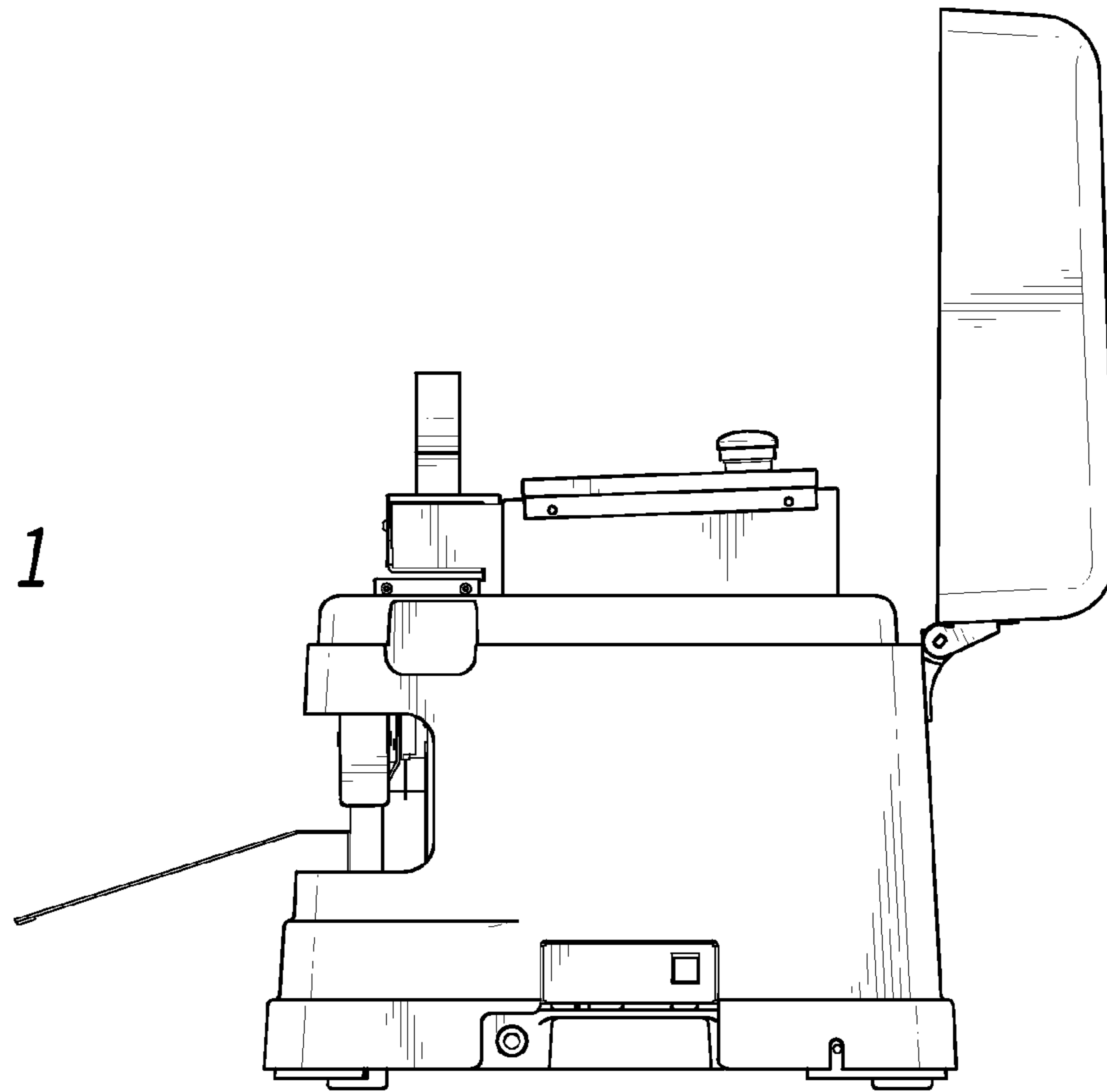
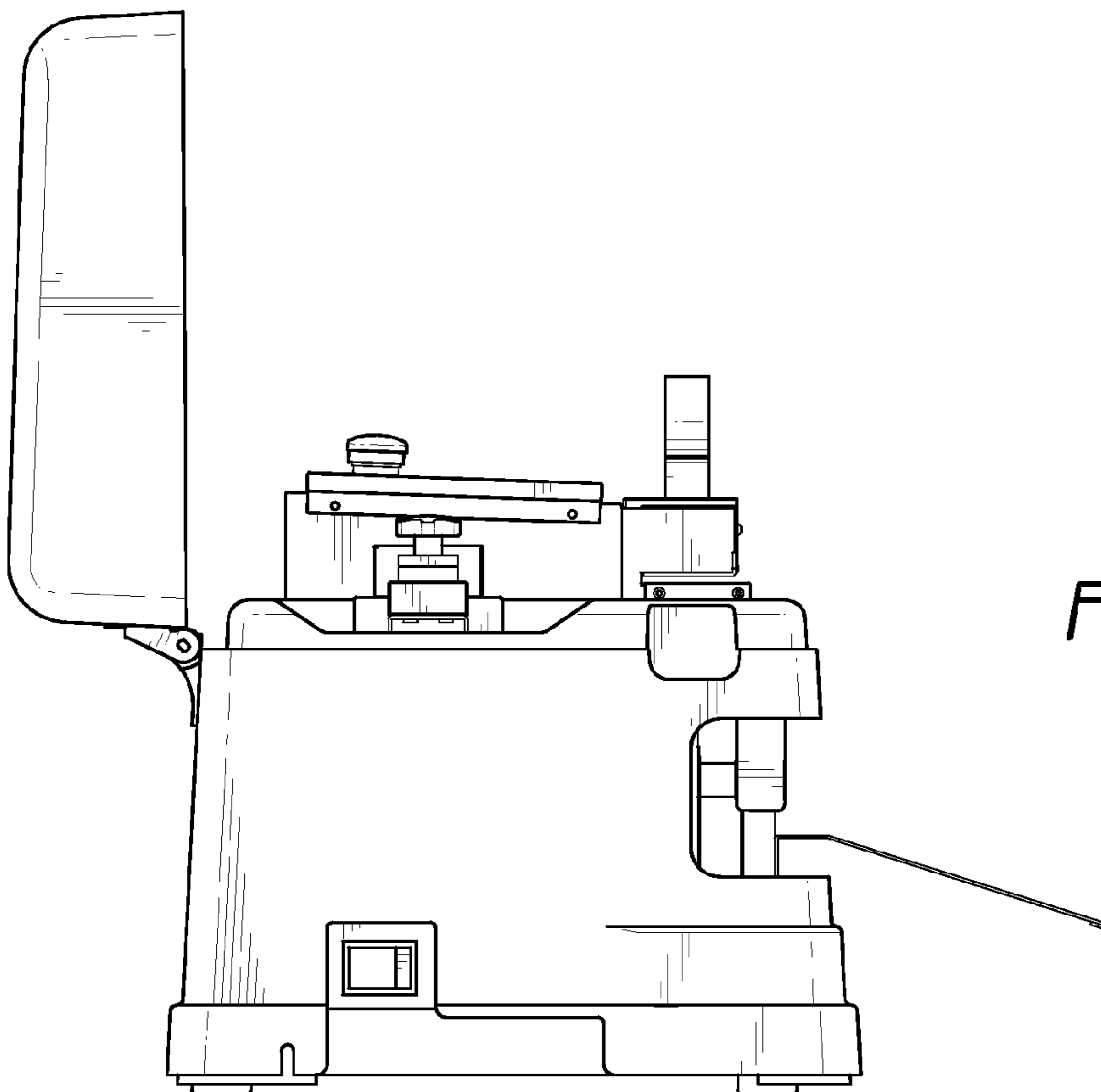


FIG. 12



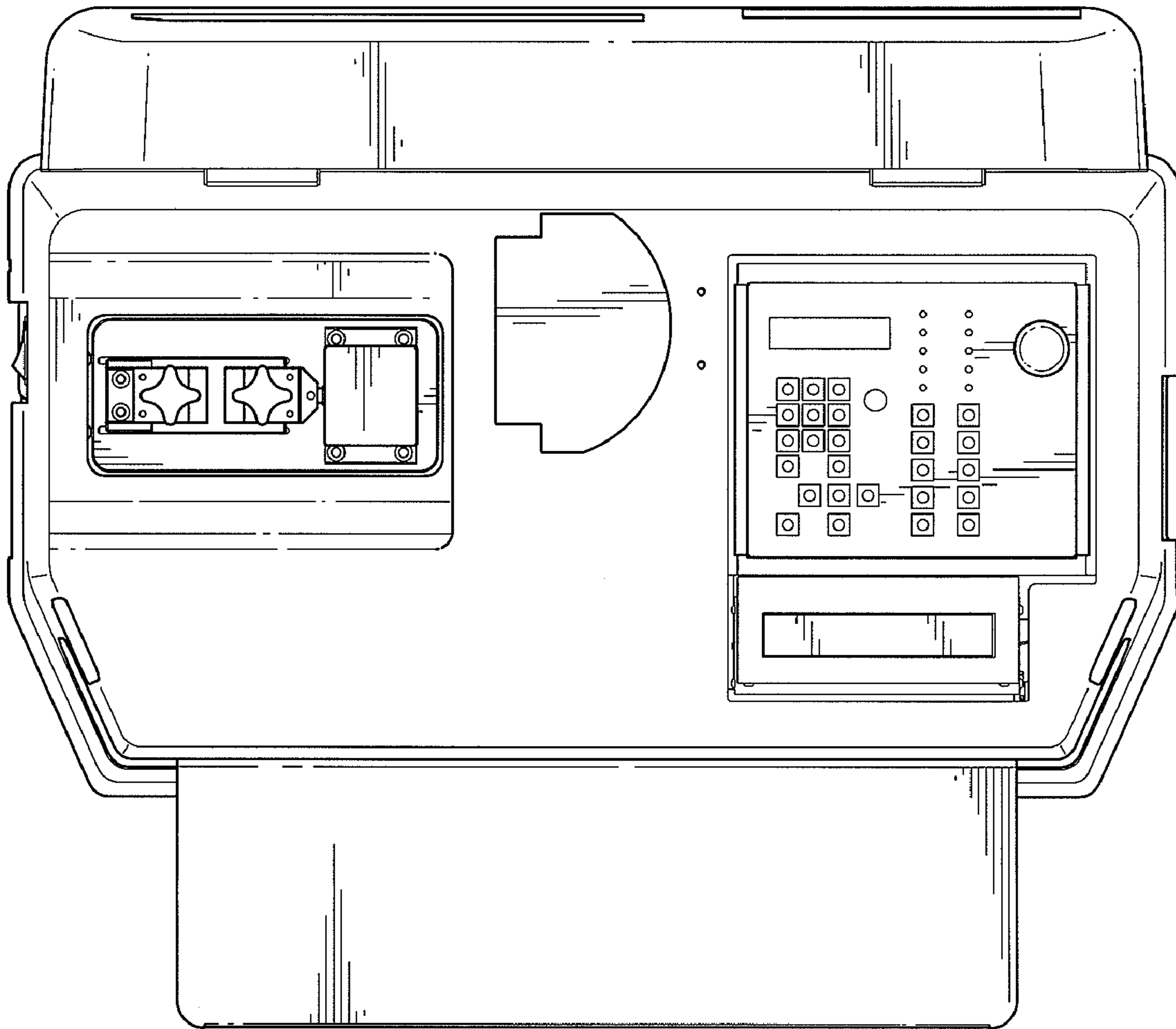


FIG. 13

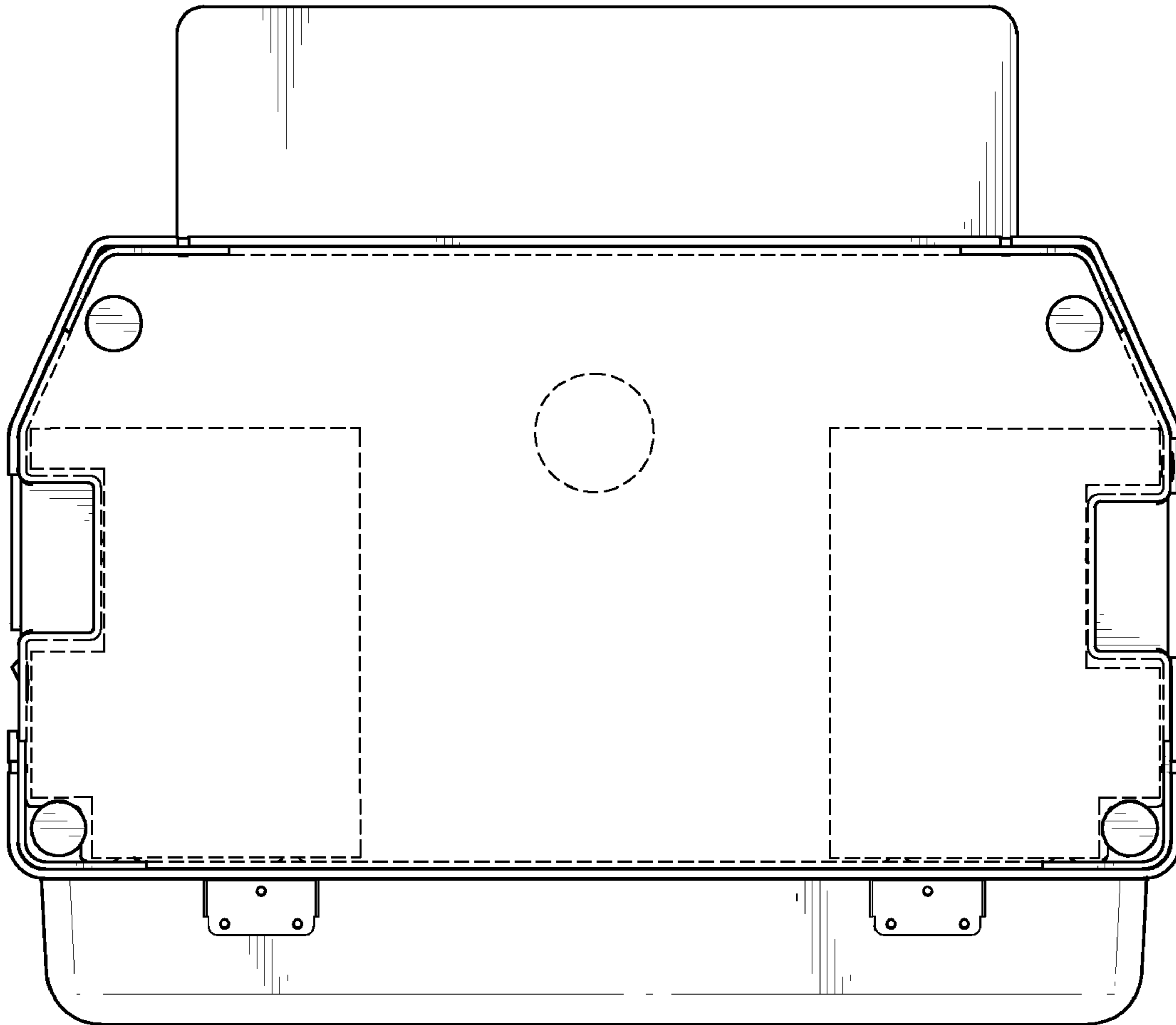


FIG. 14

FIG. 15

