



US00D593581S

(12) **United States Design Patent**  
**Sammons**

(10) **Patent No.:** **US D593,581 S**

(45) **Date of Patent:** **\*\* Jun. 2, 2009**

(54) **ENGINE CYLINDER HEAD**

(76) Inventor: **James Roland Sammons**, 2645 W.  
Allen, Springfield, MO (US) 65810

(\*\*) Term: **14 Years**

(21) Appl. No.: **29/295,748**

(22) Filed: **Oct. 5, 2007**

(51) **LOC (9) Cl.** ..... **15-01**

(52) **U.S. Cl.** ..... **D15/5**

(58) **Field of Classification Search** ..... D15/1-5;  
D12/110, 114, 126; 184/6.6, 6.7, 6.8, 6.9;  
123/90.38, 41.6, 41.61, 41.69, 291, 55.1,  
123/197.3, 196 R, 193.1, 193.5, 193.3, 193.2,  
123/193.4, 41.71, 54.1

See application file for complete search history.

(56) **References Cited**

**U.S. PATENT DOCUMENTS**

6,332,449	B1 *	12/2001	Girard	.....	123/336
6,823,825	B1 *	11/2004	Hwang et al.	.....	123/90.15
6,955,147	B2 *	10/2005	Baek	.....	123/90.38
7,409,939	B2 *	8/2008	Hughes et al.	.....	123/90.39
2008/0011280	A1 *	1/2008	Tawarada et al.	.....	123/572

\* cited by examiner

*Primary Examiner*—Ian Simmons

*Assistant Examiner*—Wan Laymon

(74) *Attorney, Agent, or Firm*—Martin & Associates, L.L.C.;  
Derek P. Martin

(57) **CLAIM**

The ornamental design for an engine cylinder head, as shown  
and described.

**DESCRIPTION**

FIG. 1 is a top view of an engine cylinder head showing my  
new design;

FIG. 2 is a side view of the intake side thereof, where the  
broken lines in FIG. 2 are included for the purpose of illus-  
trating a portion of the engine cylinder head that forms no part  
of the claimed design;

FIG. 3 is a bottom view thereof;

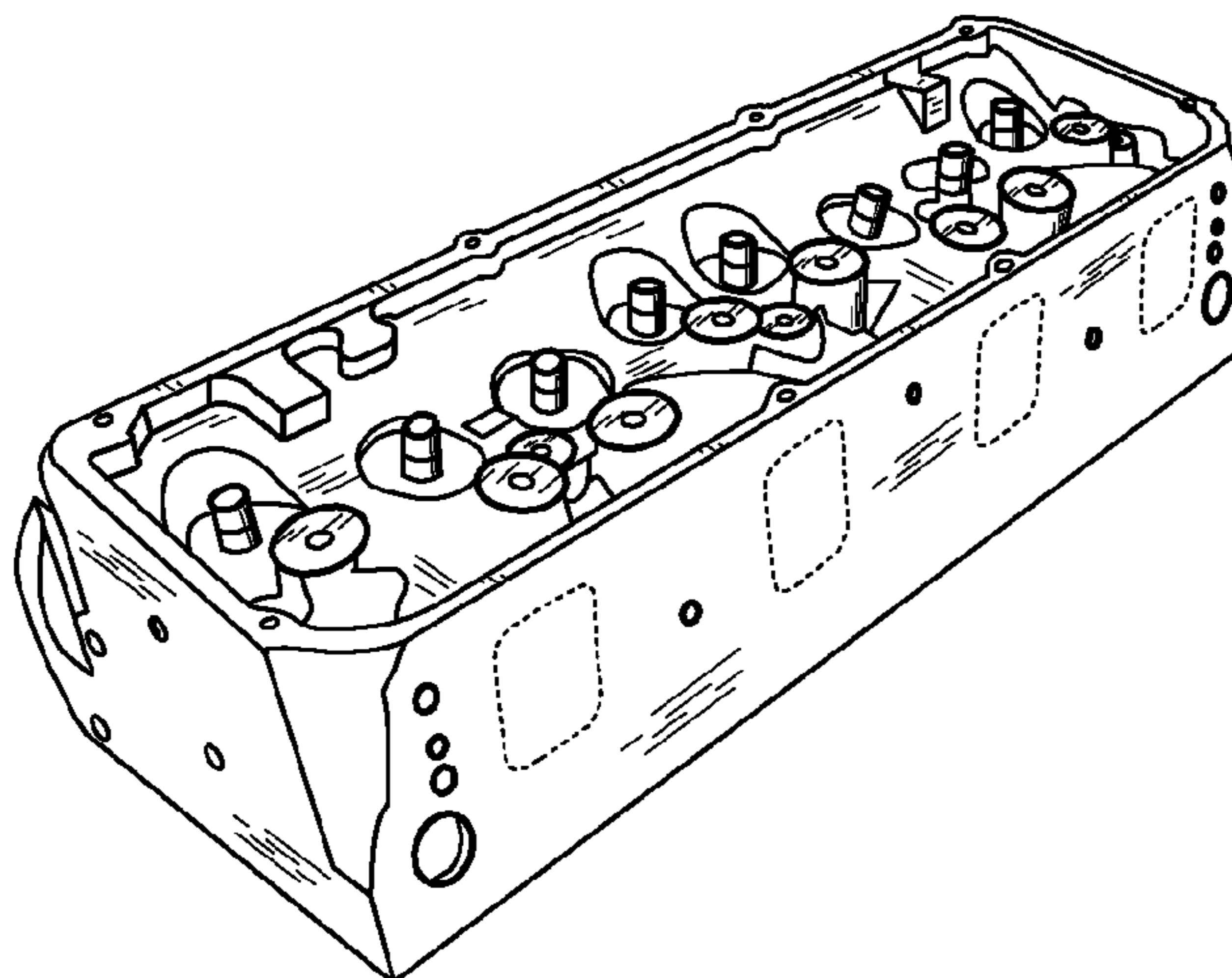
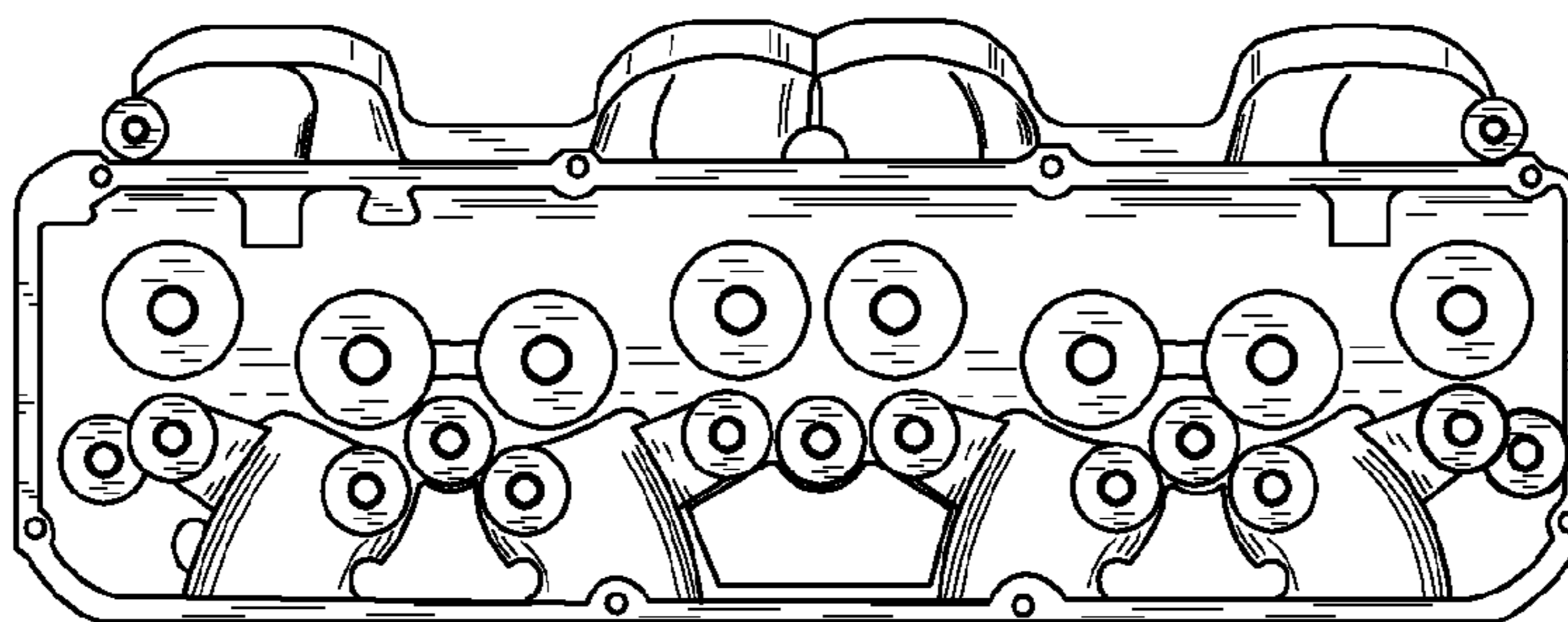
FIG. 4 is a side view of the exhaust side thereof, where the  
broken lines in FIG. 4 are included for the purpose of illus-  
trating a portion of the engine cylinder head that forms no part  
of the claimed design;

FIG. 5 is a first end view thereof;

FIG. 6 is a second end view thereof; and,

FIG. 7 is a perspective view thereof, where the broken lines in  
FIG. 7 are included for the purpose of illustrating a portion of  
the engine cylinder head that forms no part of the claimed  
design.

**1 Claim, 2 Drawing Sheets**



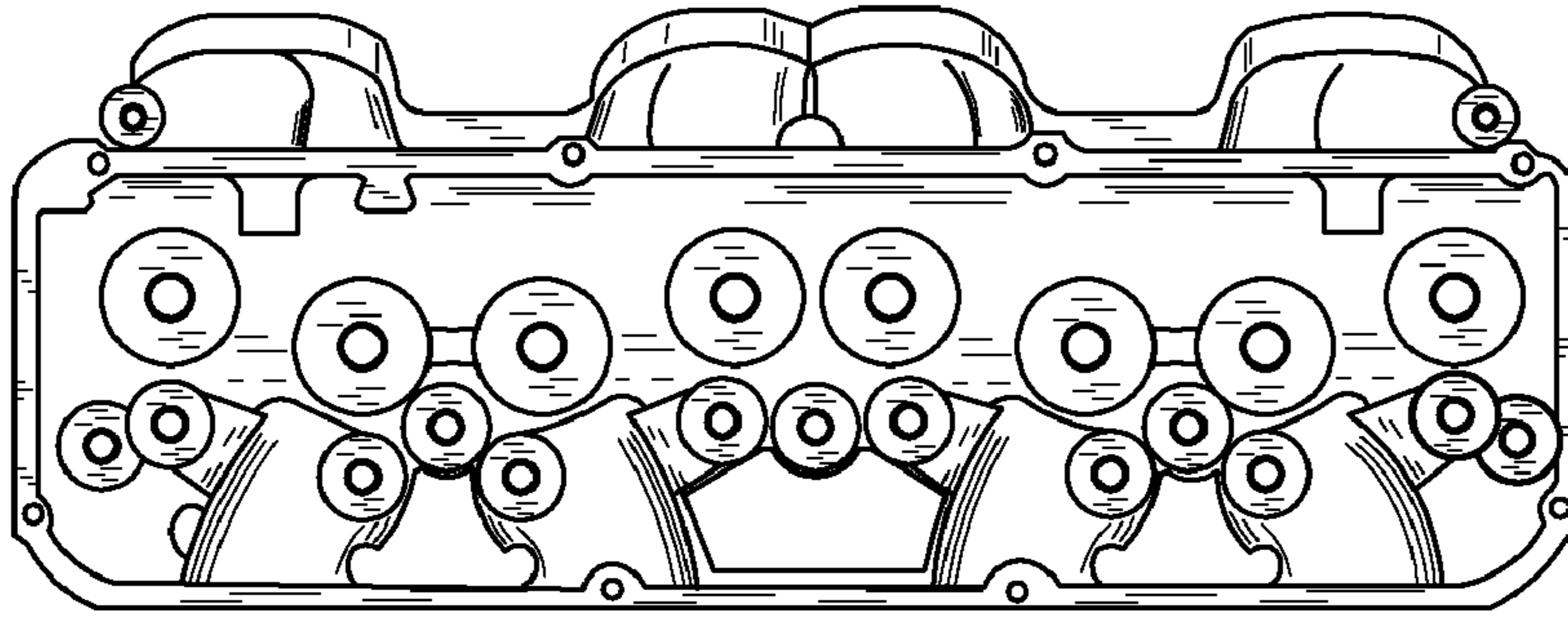


FIG. 1

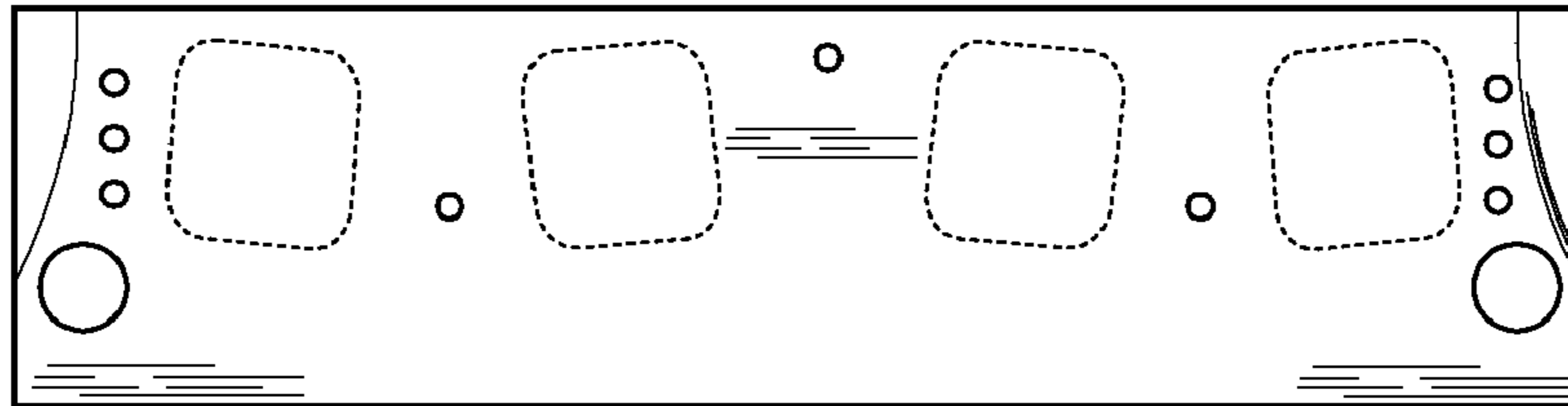


FIG. 2

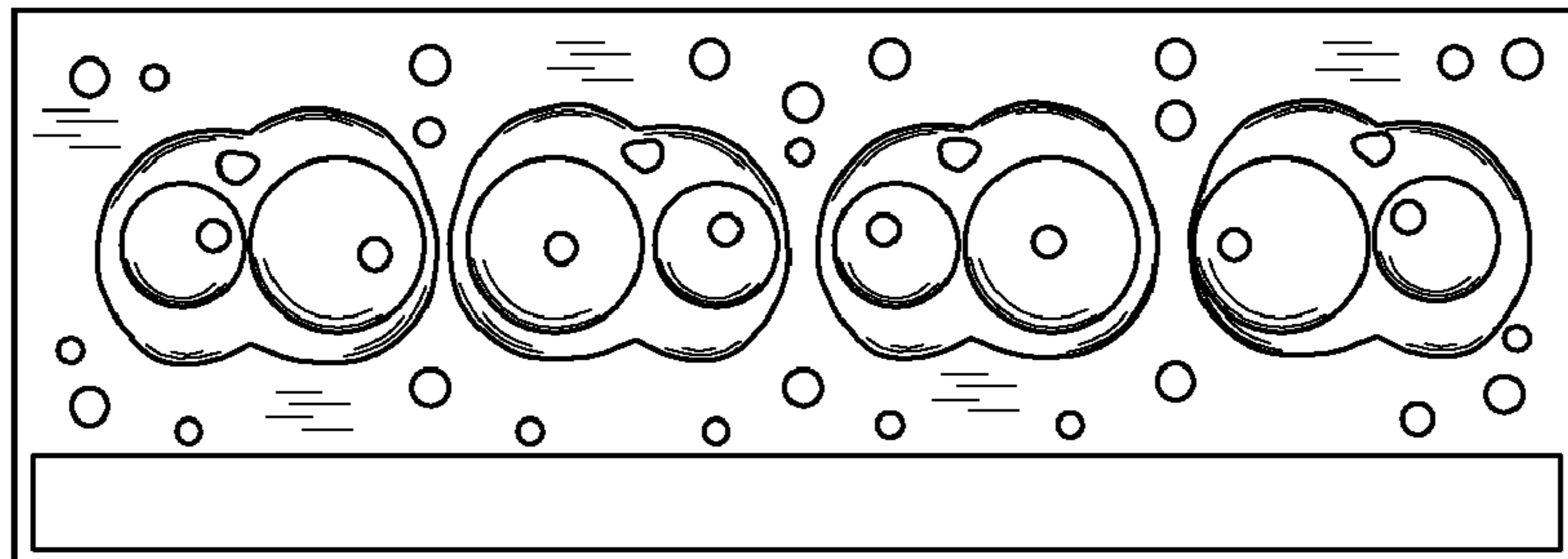


FIG. 3

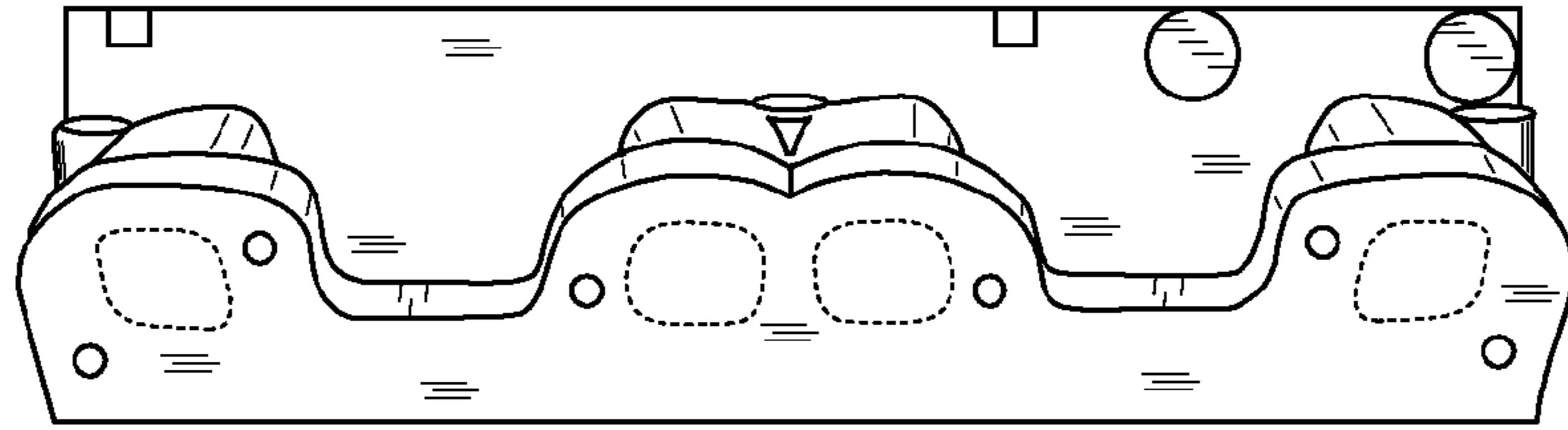


FIG. 4

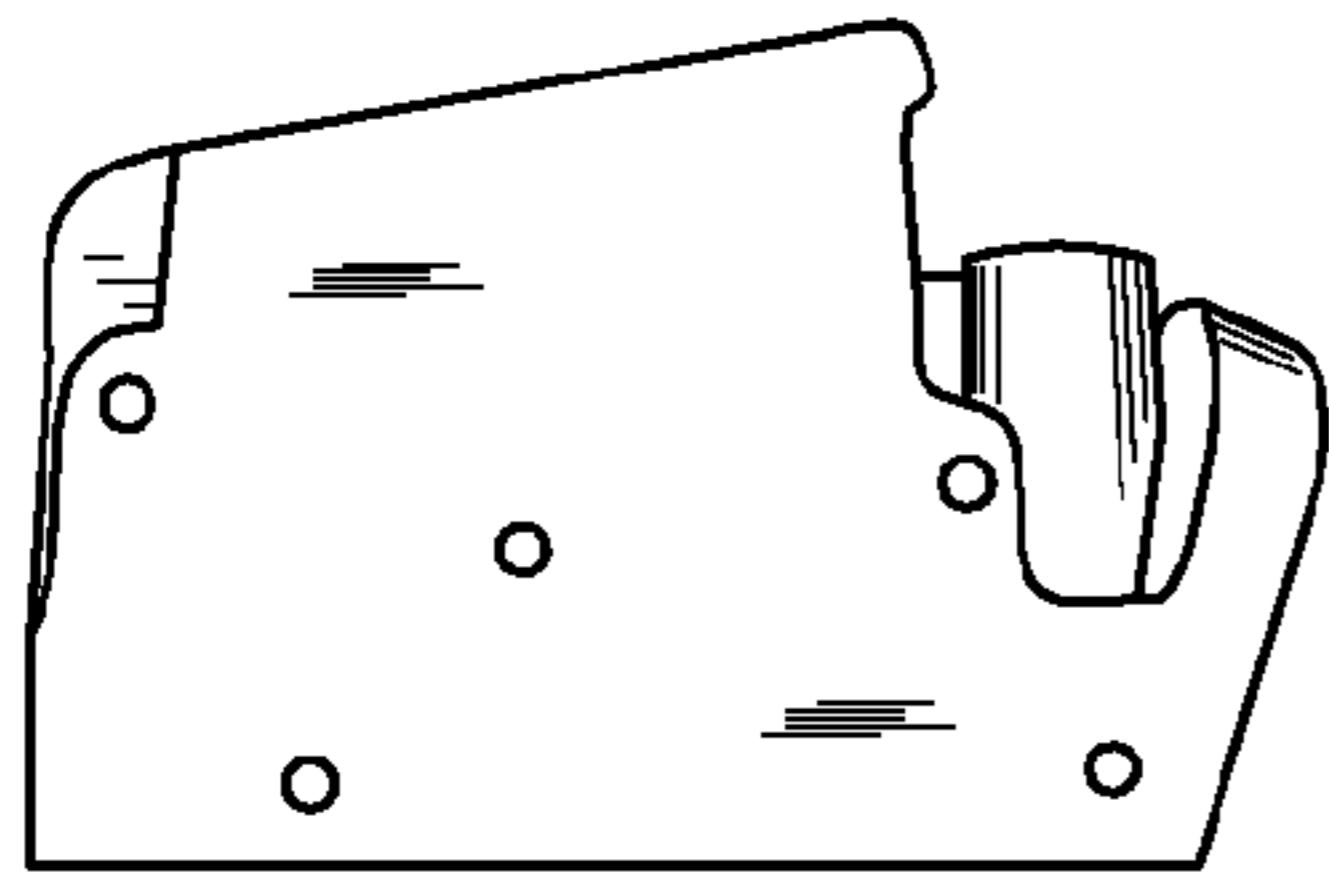


FIG. 5

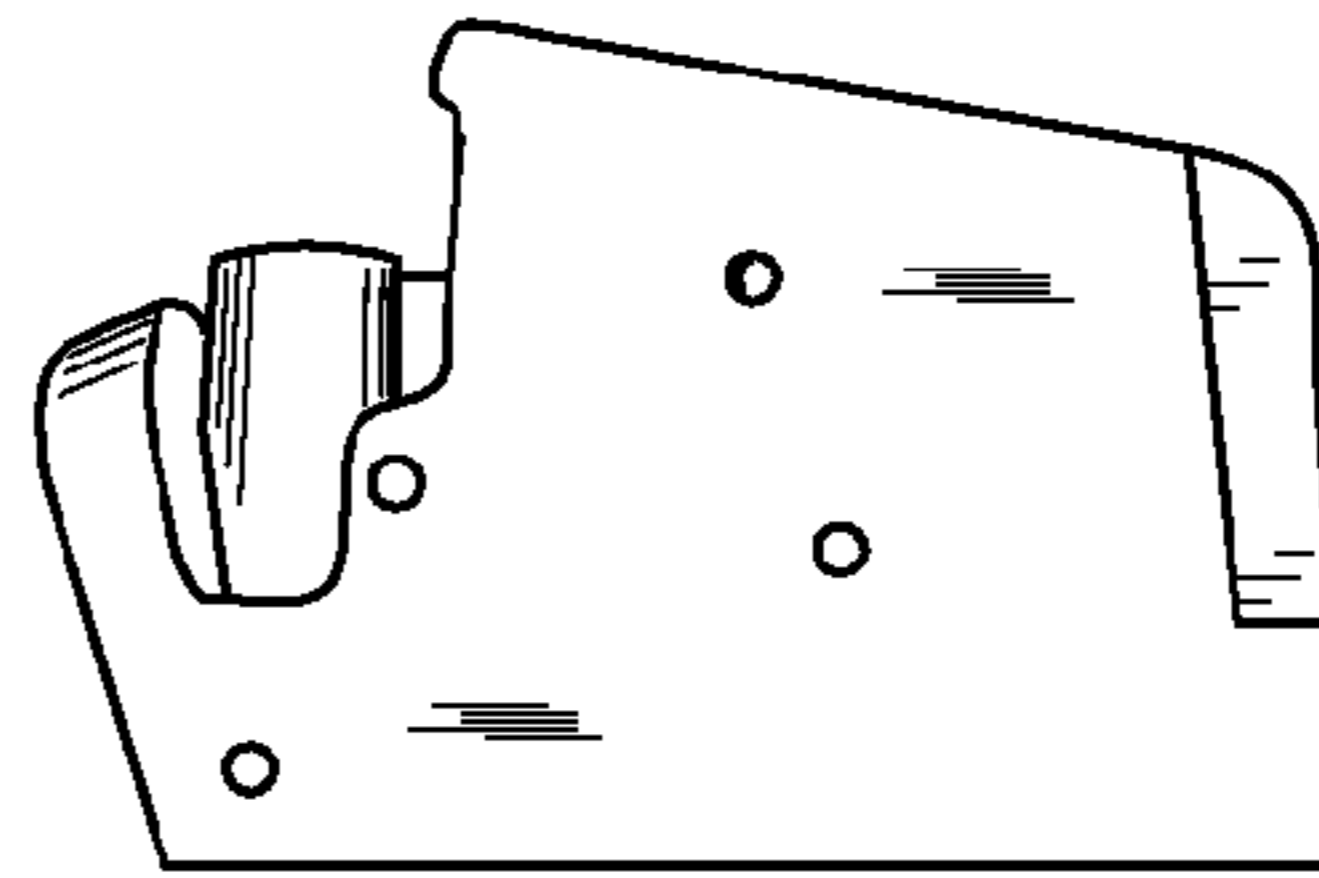


FIG. 6

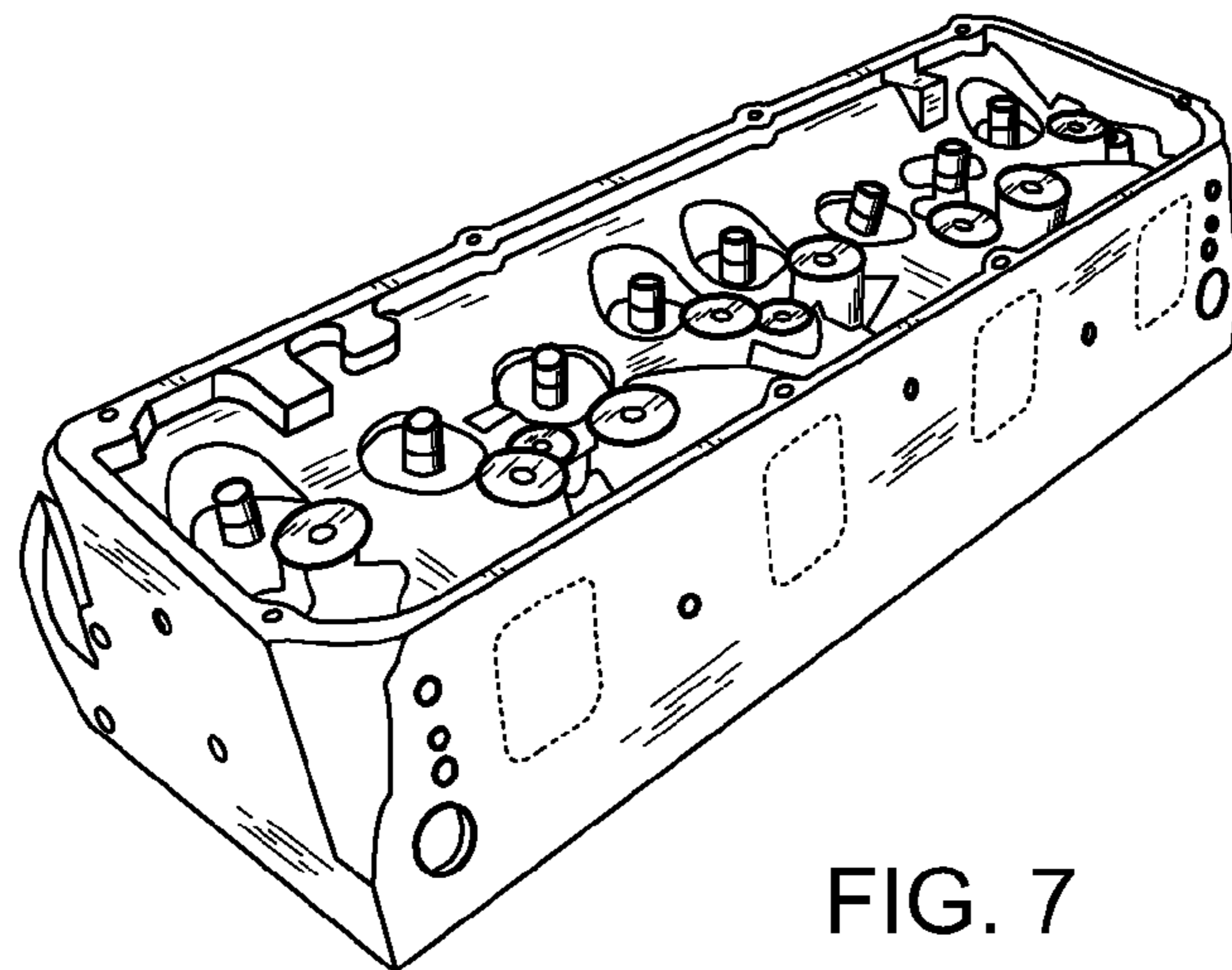


FIG. 7