



US00D593569S

(12) **United States Design Patent**  
**Wun et al.**

(10) **Patent No.:** **US D593,569 S**  
(45) **Date of Patent:** **\*\* Jun. 2, 2009**

(54) **DUAL DISPLAY HAND-HELD ELECTRONIC DEVICE**

(75) Inventors: **Archer Chi Kwong Wun**, North York (CA); **Kwok Ching Leung**, Richmond Hill (CA); **Todd Andrew Wood**, Guelph (CA)

(73) Assignee: **Research in Motion Limited**, Waterloo (CA)

(\*\*) Term: **14 Years**

(21) Appl. No.: **29/303,723**

(22) Filed: **Feb. 15, 2008**

(51) **LOC (9) Cl.** ..... **14-02**

(52) **U.S. Cl.** ..... **D14/455; D14/247**

(58) **Field of Classification Search** ..... D14/341, D14/342, 343, 344, 345, 346, 347, 138 R, D14/138 AA, 138 AB, 138 AC, 138 AD, D14/138 C, 138 G, 315, 316, 320, 331, 333, D14/334, 335, 338, 339, 340, 387, 390, 391, D14/392, 393, 394, 395, 396, 397, 398, 399, D14/400, 401, 406, 420, 426, 427, 428, 429, D14/432, 439, 440, 441, 453, 454, 455, 456, D14/457, 496, 130, 137, 142, 150, 151, 203.1; D14/203.3, 203.4, 203.5, 203.6, 203.7, 238.1, D14/247, 248, 250, 902, 218, 125, 126; D13/168, D13/171; D18/7; D21/324, 329, 330, 331, D21/333; D10/65; 455/556.1, 556.2, 566, 455/575.1, 575.3, 575.4, 90.3; 341/22; 379/433.04, 379/433.06, 433.07, 433.11, 433.12, 433.13, 379/910, 915, 916; 348/14.02, 207.1, 552; 345/169, 168, 901

See application file for complete search history.

(56) **References Cited**

**U.S. PATENT DOCUMENTS**

D468,279 S \* 1/2003 Kim et al. .... D14/138 AB

D507,562 S \* 7/2005 Kim ..... D14/247  
D528,108 S \* 9/2006 Salmi et al. .... D14/247  
D559,218 S \* 1/2008 Park et al. .... D14/138 AB  
D561,717 S \* 2/2008 Park et al. .... D14/138 AB  
D563,367 S \* 3/2008 Chung et al. .... D14/138 AB  
D569,826 S \* 5/2008 Griffin et al. .... D14/138 AB  
D578,498 S \* 10/2008 Choi et al. .... D14/138 AB  
D578,979 S \* 10/2008 Choi et al. .... D14/138 R  
D581,924 S \* 12/2008 Griffin ..... D14/346  
D584,298 S \* 1/2009 Eguchi ..... D14/247  
2008/0026801 A1 \* 1/2008 Bliss ..... 455/575.1  
2008/0064452 A1 \* 3/2008 Kim et al. .... 455/575.3

**OTHER PUBLICATIONS**

Sony Ericsson Z750, announced Mar. 2007, [online]. [Retrieved on Feb. 9, 2009]. Retrieved from Internet, <URL: Http://www.gsmarena.com/sony\_ericsson\_z750-1929.php>.\*

\* cited by examiner

*Primary Examiner*—Jennifer Rivard  
*Assistant Examiner*—Angela J Lee

(57) **CLAIM**

We claim the ornamental design for a dual display hand-held electronic device, as shown and described.

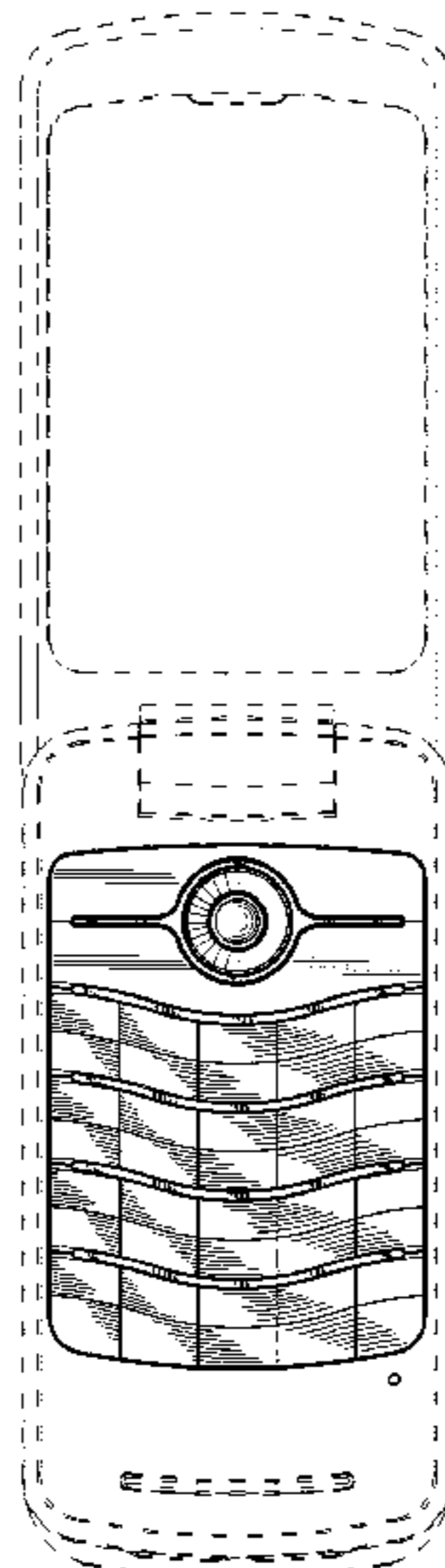
**DESCRIPTION**

FIG. 1 is a front perspective view of a dual display hand-held electronic device; and,

FIG. 2 is a front elevation view thereof.

The broken line showing of portions of the dual display hand-held electronic device forms no part of the claimed design.

**1 Claim, 2 Drawing Sheets**



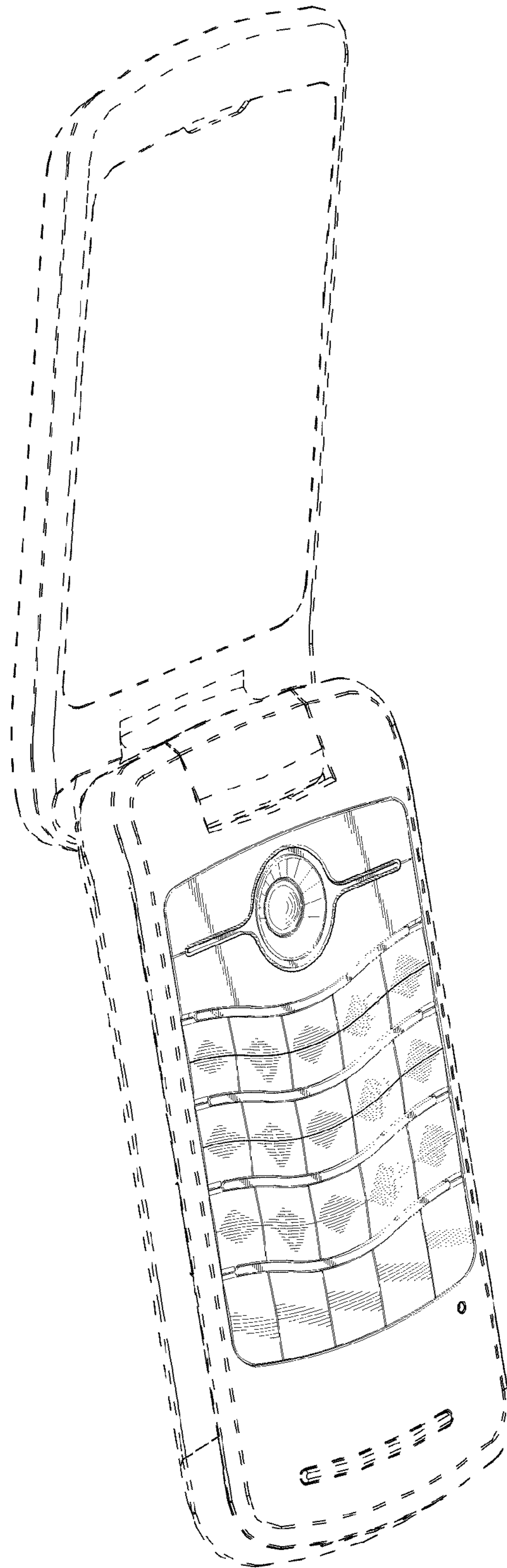


FIG.1

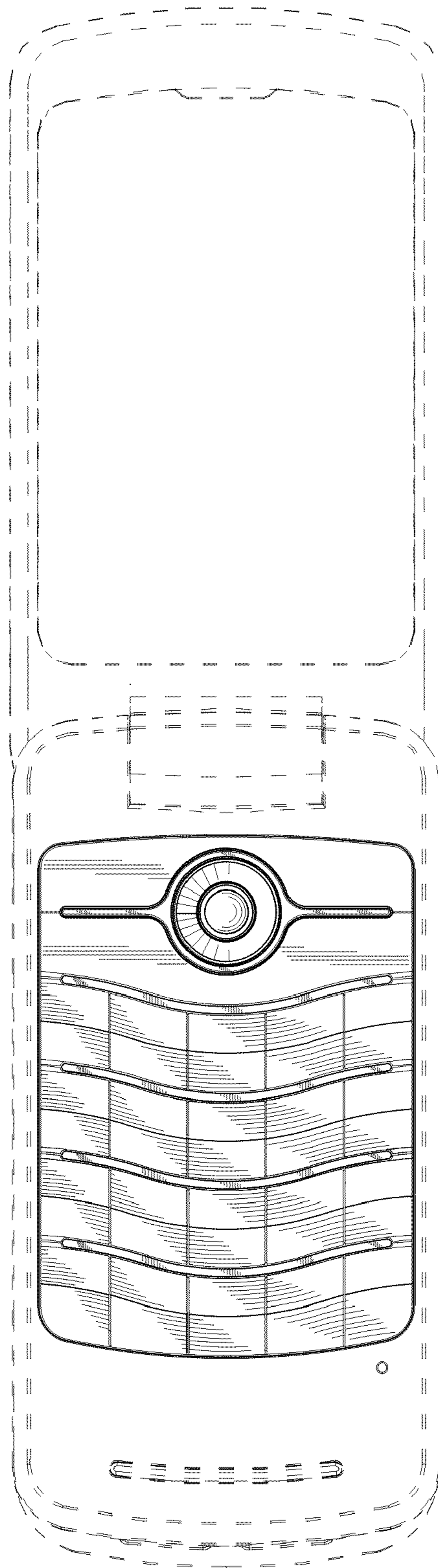


FIG.2