

US00D593567S

(12) **United States Design Patent**
Benson et al.

(10) **Patent No.:** **US D593,567 S**
(45) **Date of Patent:** **** Jun. 2, 2009**

(54) **LIQUID CRYSTAL DISPLAY STAND**

(75) Inventors: **Carlos Ruben Aguilar Benson**, San Ysidro, CA (US); **Jose Antonio Moranchel Raygoza**, Tijuana (MX); **Tomas Rochin Gutierrez**, Tijuana (MX)

(73) Assignees: **Sony Corporation**, Tokyo (JP); **Sony Electronics Inc.**, Park Ridge, NJ (US)

(**) Term: **14 Years**

(21) Appl. No.: **29/319,554**

(22) Filed: **Jun. 11, 2008**

(51) **LOC (9) Cl.** **08-07**

(52) **U.S. Cl.** **D14/451**

(58) **Field of Classification Search** D14/447, D14/451, 452, 449, 251, 253, 239, 432, 434, D14/439, 448, 450, 454, 455, 457, 458, 459, D14/460, 461, 336, 337, 371, 372, 373, 374, D14/375, 376, 377, 378, 379, 380, 381, 382, D14/125, 126, 127, 129, 133, 305, 307, 335, D14/340, 339; D6/300, 308, 310, 312, 313, D6/314, 449, 512; D8/354, 363; D19/91, D19/90; 349/58, 60; 312/7.2; 348/790, 348/794, 825, 836; 211/42, 43, 126.6, 132.1, 211/171, 195; 248/917, 918, 919, 920, 921, 248/922, 923, 924, 451, 454, 460; 361/680, 361/681, 382, 683, 686; D12/415, 418

See application file for complete search history.

(56) **References Cited**

U.S. PATENT DOCUMENTS

D372,024 S * 7/1996 Carlson et al. D14/432

D395,871 S * 7/1998 Iino D14/434
D414,754 S * 10/1999 Jung D14/375
D431,176 S * 9/2000 Zarnoti et al. D8/354
D463,440 S * 9/2002 Oba D14/451
D476,335 S * 6/2003 Miao et al. D14/375
D476,826 S * 7/2003 Swarney, II D6/449
D531,179 S * 10/2006 Yamashiro et al. D14/375
D541,284 S * 4/2007 Hibino et al. D14/434
D552,089 S * 10/2007 Fujii et al. D14/239
D574,005 S * 7/2008 Chung D14/447
2003/0184193 A1 * 10/2003 Lee et al. 312/223.2
2005/0146845 A1 * 7/2005 Moscovitch 361/681

* cited by examiner

Primary Examiner—Jennifer Rivard

Assistant Examiner—Angela J Lee

(74) *Attorney, Agent, or Firm*—John L. Rogitz

(57) **CLAIM**

The ornamental design for the liquid crystal display stand, as shown and described.

DESCRIPTION

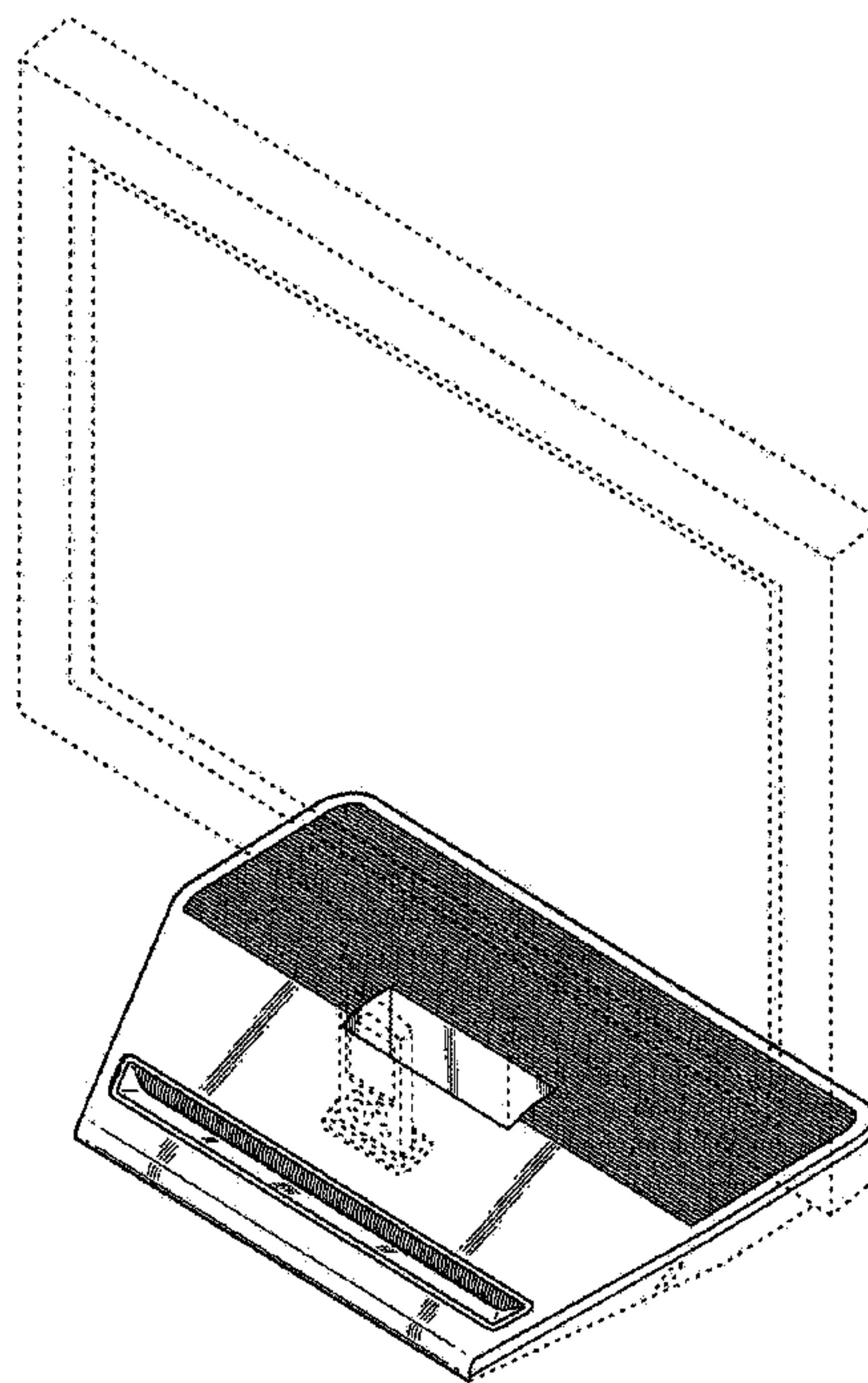
FIG. 1 is a perspective view of the liquid crystal display stand with a liquid display shown in broken lines;

FIG. 2 is a perspective view of the liquid crystal display stand; and,

FIG. 3 is a top plan view of the liquid crystal display stand.

The broken line showing the liquid crystal display is included for the purpose of illustrating an example environment of the stand and forms no part of the claimed invention. Portions of the stand shown in broken lines form no part of the claimed invention.

1 Claim, 2 Drawing Sheets



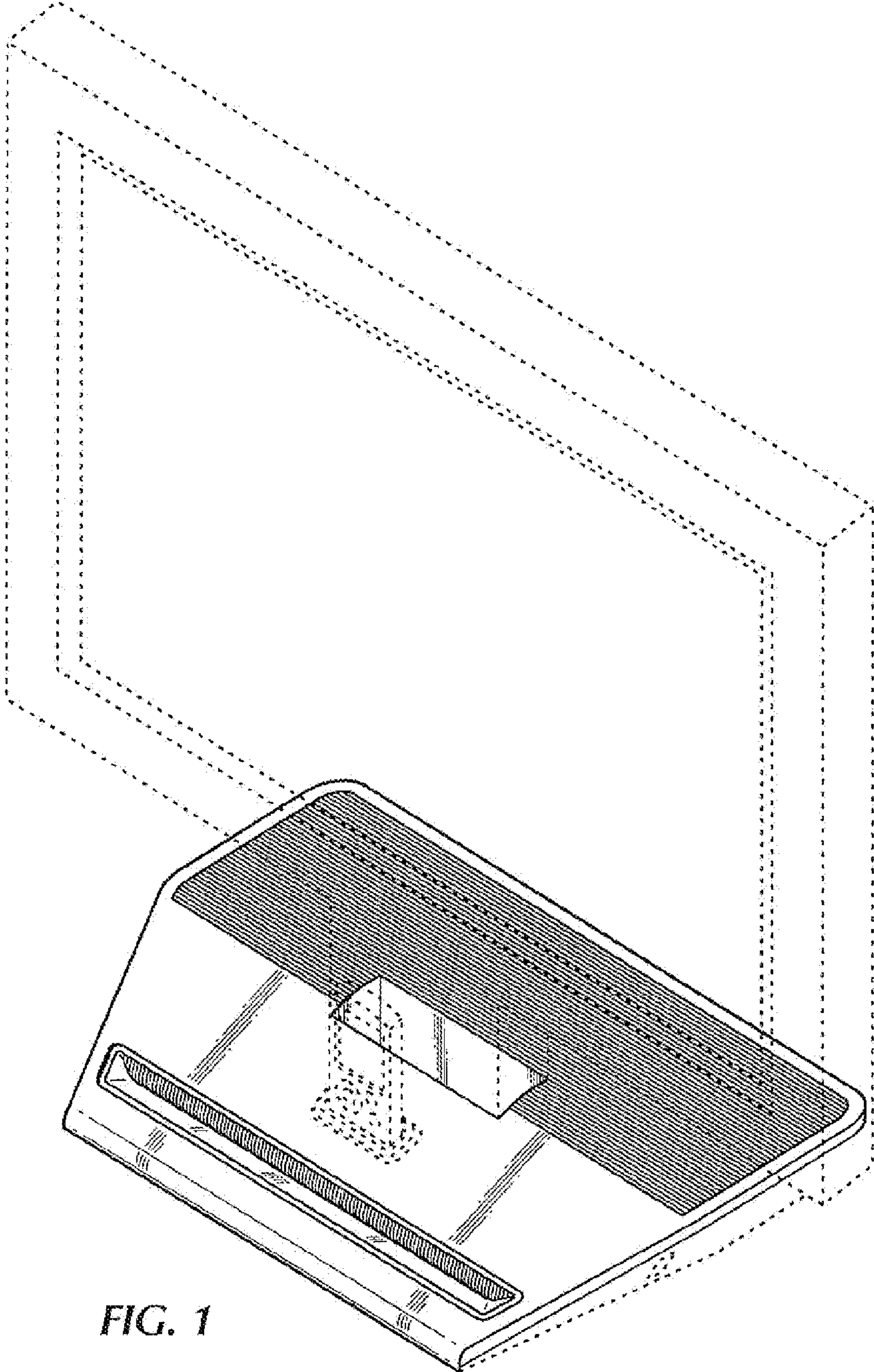


FIG. 1

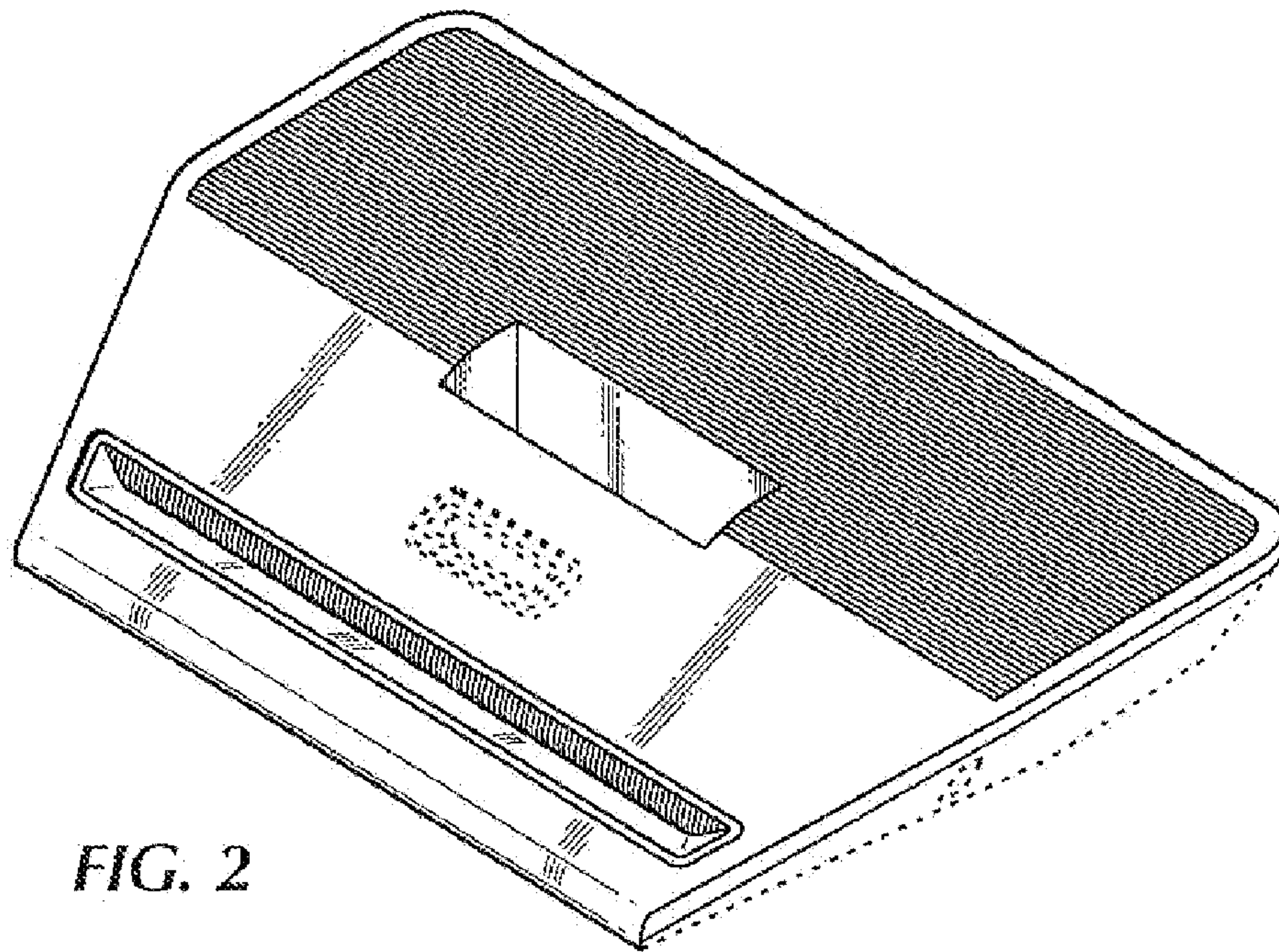


FIG. 2

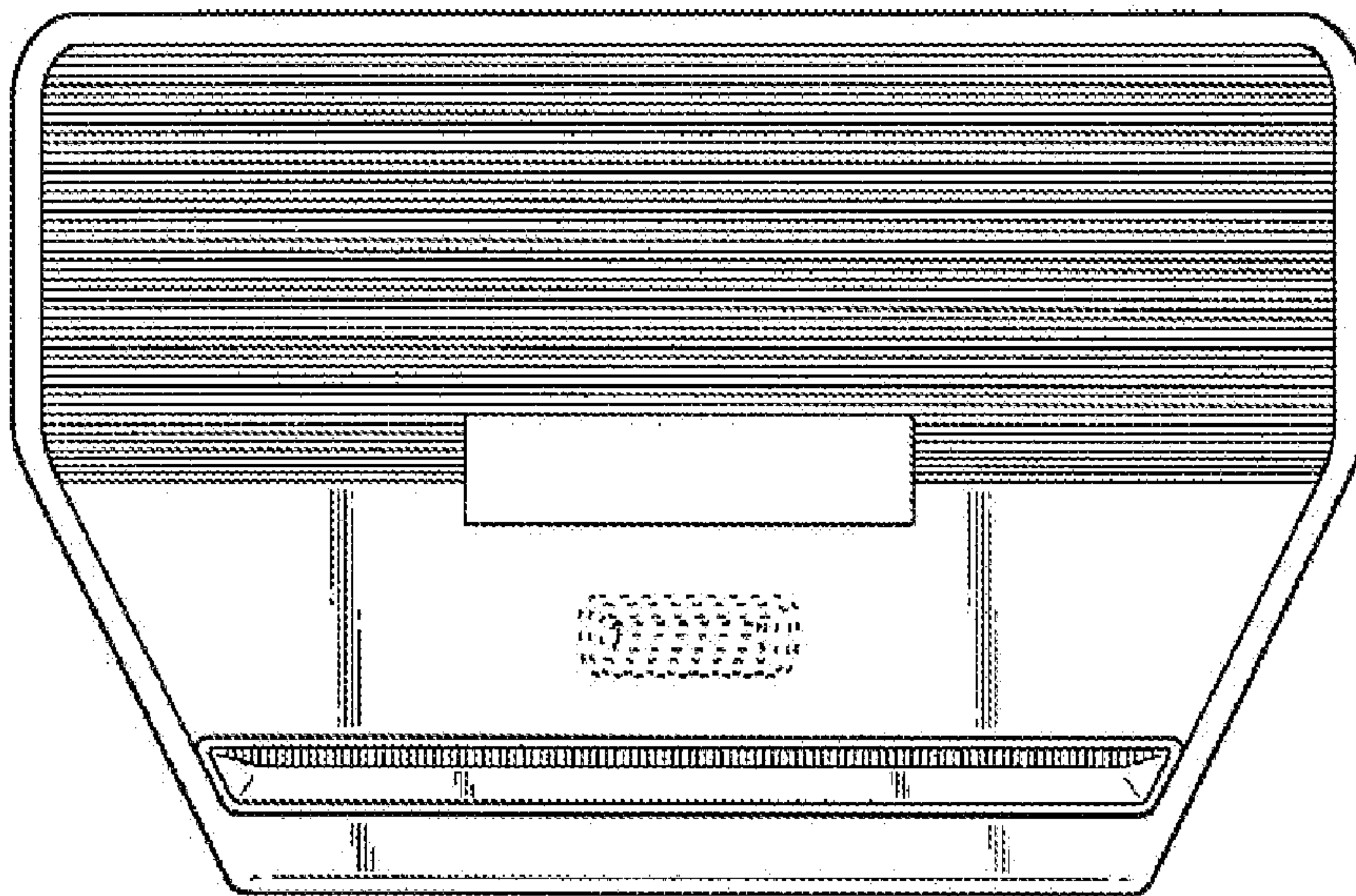


FIG. 3