



US00D593566S

(12) **United States Design Patent**  
**Richter**

(10) **Patent No.:** **US D593,566 S**  
(45) **Date of Patent:** **\*\* Jun. 2, 2009**

(54) **SUPPORT DEVICE FOR SUPPORTING AN APPARATUS HOLDER**

(76) Inventor: **Harald Richter**, Höhenstrasse 32, 76331 Engelbrand (DE)

(\*\*) Term: **14 Years**

(21) Appl. No.: **29/293,872**

(22) Filed: **Dec. 17, 2007**

(51) **LOC (9) Cl.** ..... **08-07**

(52) **U.S. Cl.** ..... **D14/447; D14/253**

(58) **Field of Classification Search** ..... D14/448, D14/449, 450, 451, 452, 457, 447, 439, 440, D14/441, 432, 336, 337, 371, 372, 373, 374, D14/375, 376, 377, 378, 379, 380, 381, 382, D14/125, 126, 127, 133, 239, 251, 252, 253, D14/305, 307, 335, 340, 339; D6/300, 308, D6/310, 312, 313, 314, 449, 512; D8/353; 40/700; 345/905; 348/184, 739, 761, 766, 348/789, 790, 794, 825, 836, 840; 349/58, 349/60; 248/917, 918, 919, 920, 921, 922, 248/923, 924; 312/7.2; 361/680, 681, 682, 361/683

See application file for complete search history.

(56) **References Cited**

**U.S. PATENT DOCUMENTS**

|              |         |          |       |         |
|--------------|---------|----------|-------|---------|
| D415,768 S * | 10/1999 | Howell   | ..... | D14/451 |
| D487,270 S * | 3/2004  | Richter  | ..... | D14/447 |
| D530,333 S * | 10/2006 | Richter  | ..... | D14/447 |
| D533,174 S * | 12/2006 | Richter  | ..... | D14/251 |
| D545,825 S * | 7/2007  | Richter  | ..... | D14/447 |
| D545,826 S * | 7/2007  | Richter  | ..... | D14/447 |
| D553,959 S * | 10/2007 | Brassard | ..... | D8/363  |
| D554,136 S * | 10/2007 | Richter  | ..... | D14/447 |
| D554,137 S * | 10/2007 | Richter  | ..... | D14/447 |

|                   |         |         |       |           |
|-------------------|---------|---------|-------|-----------|
| D567,810 S *      | 4/2008  | Yeh     | ..... | D14/253   |
| D576,631 S *      | 9/2008  | Richter | ..... | D14/447   |
| D579,854 S *      | 11/2008 | Mo      | ..... | D12/415   |
| 2004/0256529 A1 * | 12/2004 | Richter | ..... | 248/309.1 |

\* cited by examiner

*Primary Examiner*—Jennifer Rivard  
*Assistant Examiner*—Angela J Lee  
(74) *Attorney, Agent, or Firm*—Klaus J. Bach

(57) **CLAIM**

The ornamental design for an support device for supporting an apparatus holder, as shown and described.

**DESCRIPTION**

The support device for supporting an apparatus holder is used for supporting an apparatus holder specifically adapted to cradling a particular apparatus such as a wireless phone, a GPS device or other equipment in a convenient position for example on a desk.

FIG. 1 is a perspective view of an support device for supporting an apparatus holder;

FIG. 2 is a side view of the support device for supporting an apparatus holder shown in FIG. 1;

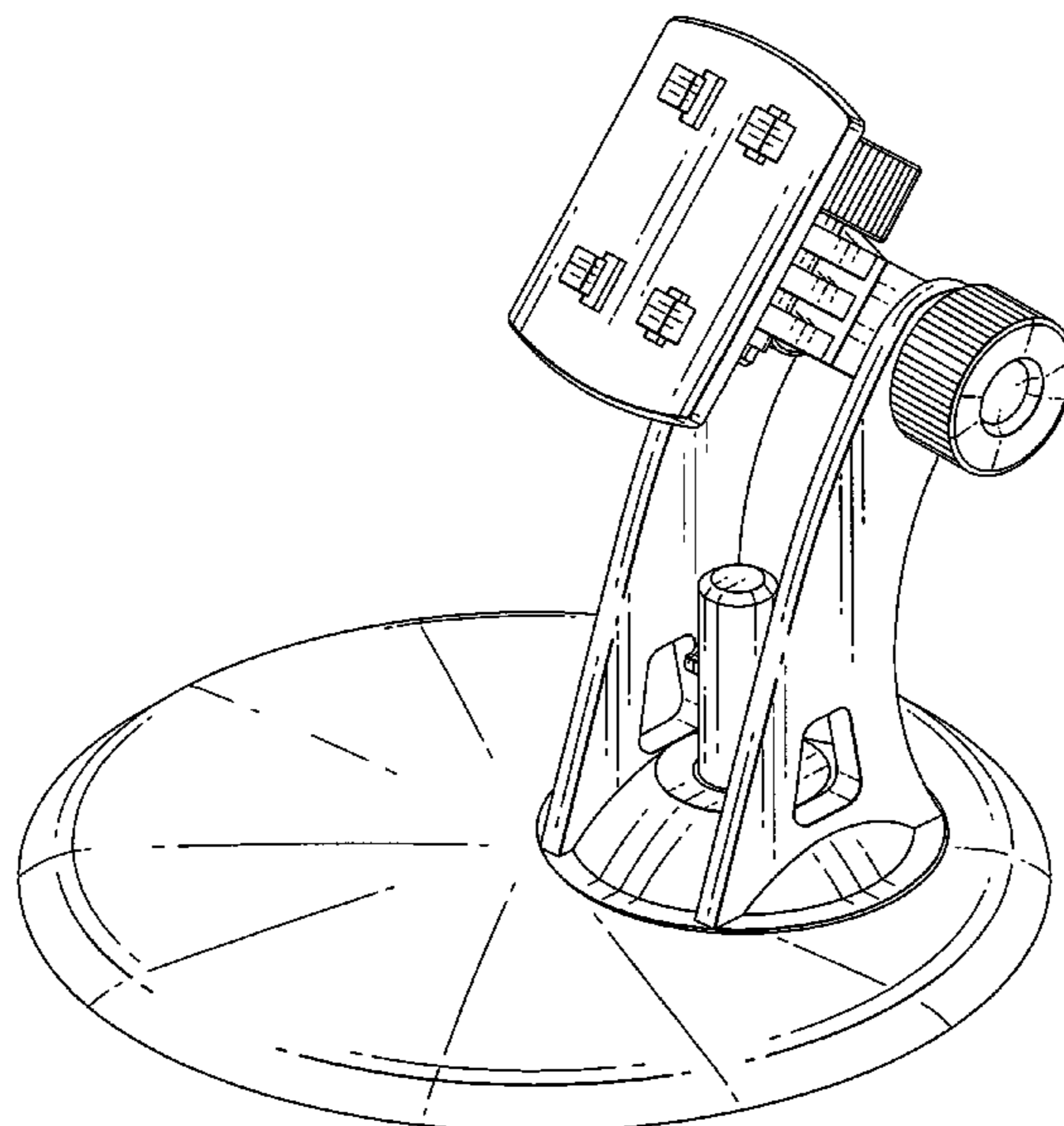
FIG. 3 is a rear view of the support device for supporting an apparatus holder shown in FIG. 2; a right side view is mirror-reversed,

FIG. 4 is a front view of the support device for supporting an apparatus holder shown in FIG. 2,

FIG. 5 is a top view of the support device for supporting an apparatus holder shown in FIG. 2; and,

FIG. 6 is a bottom view of the support device for supporting an apparatus holder shown in FIG. 2.

**1 Claim, 6 Drawing Sheets**



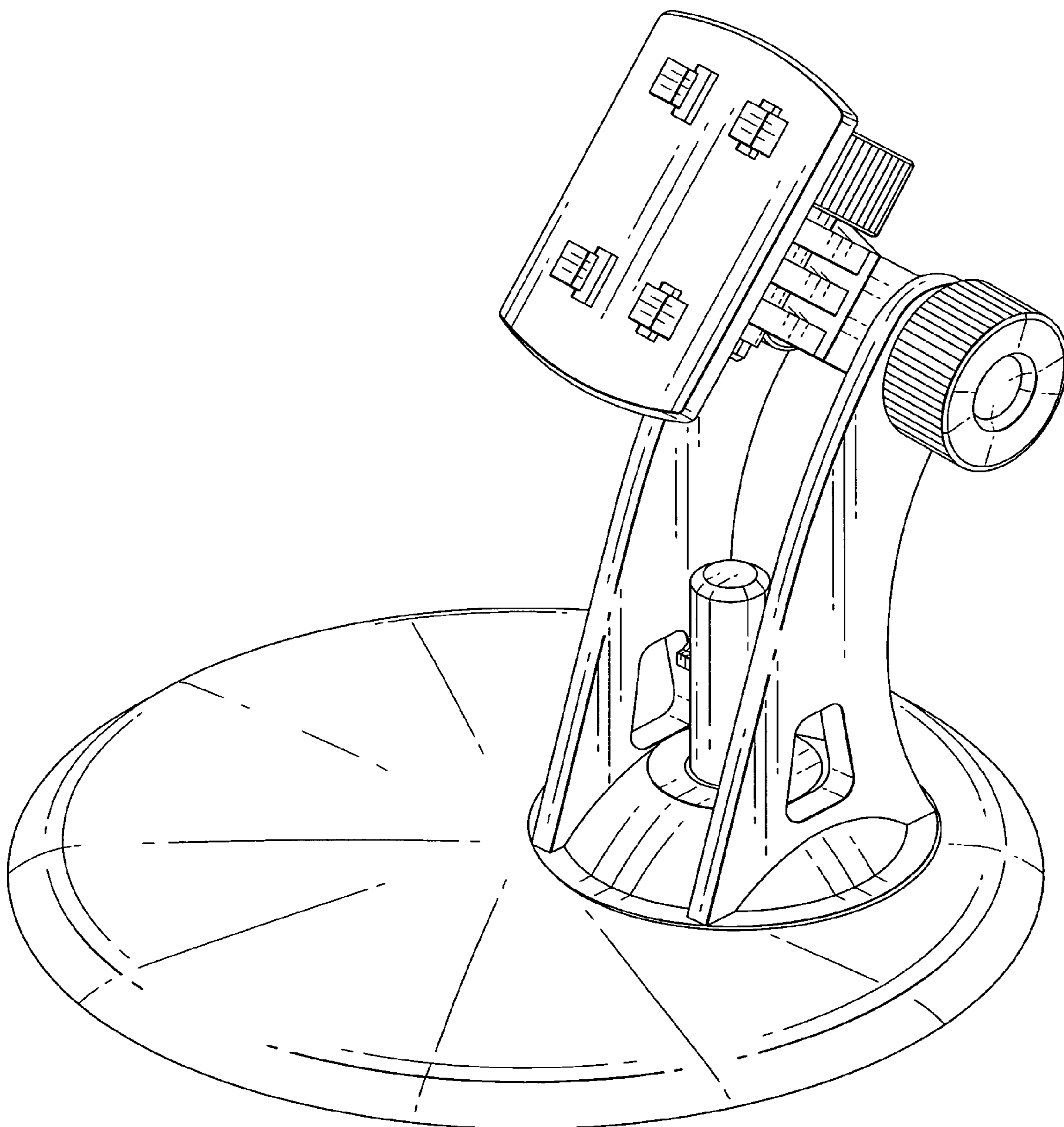
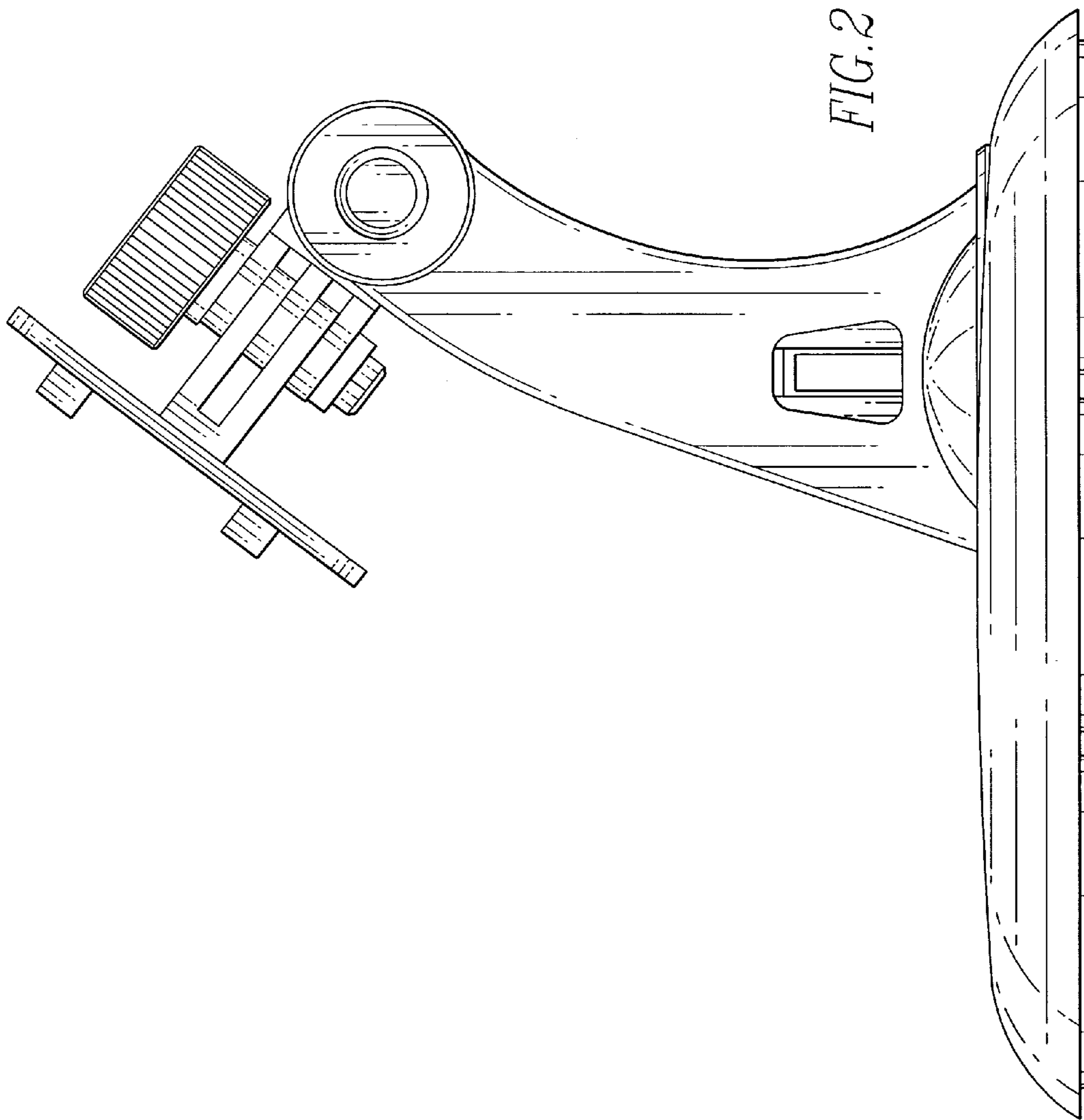
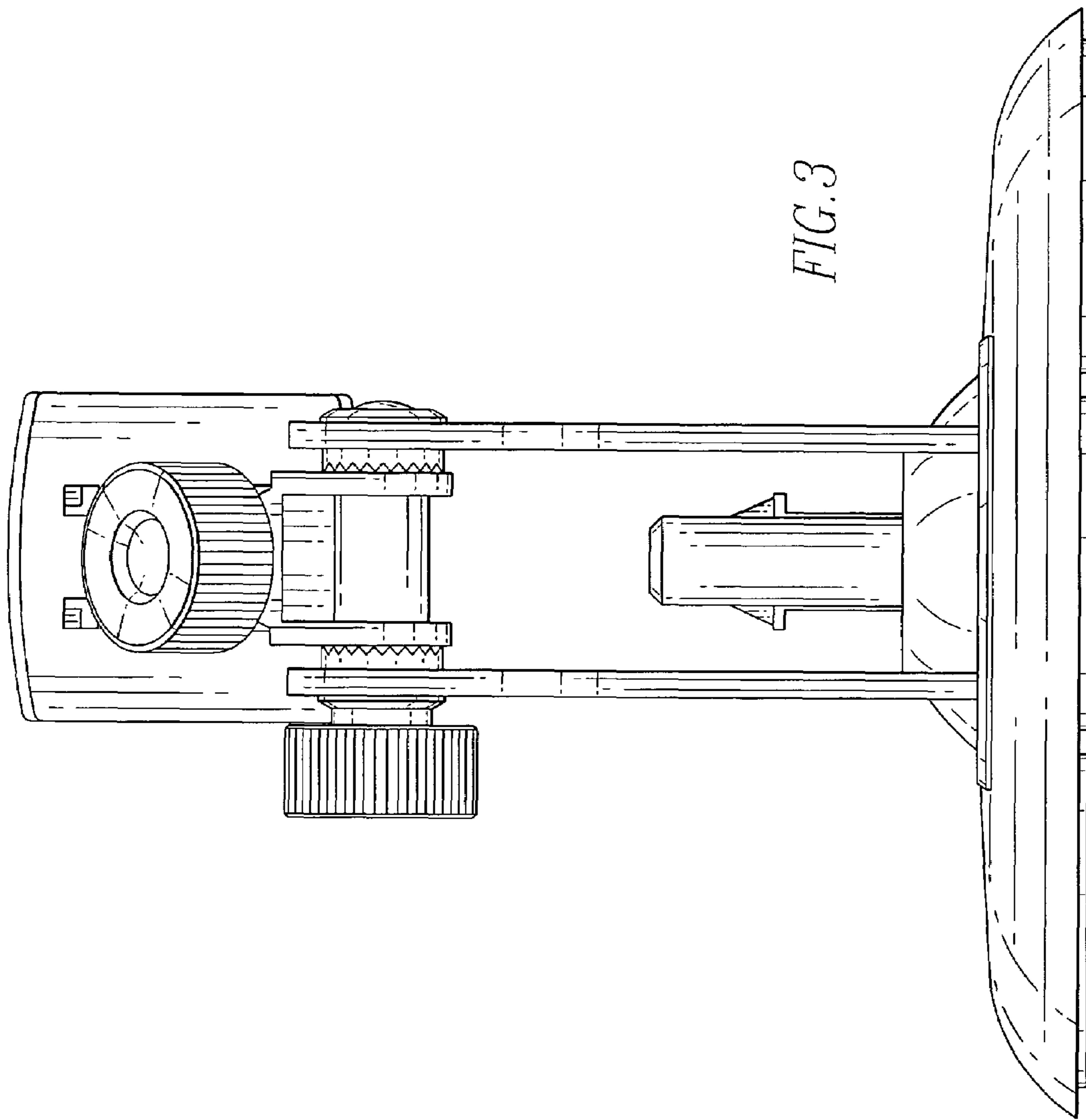


FIG. 1





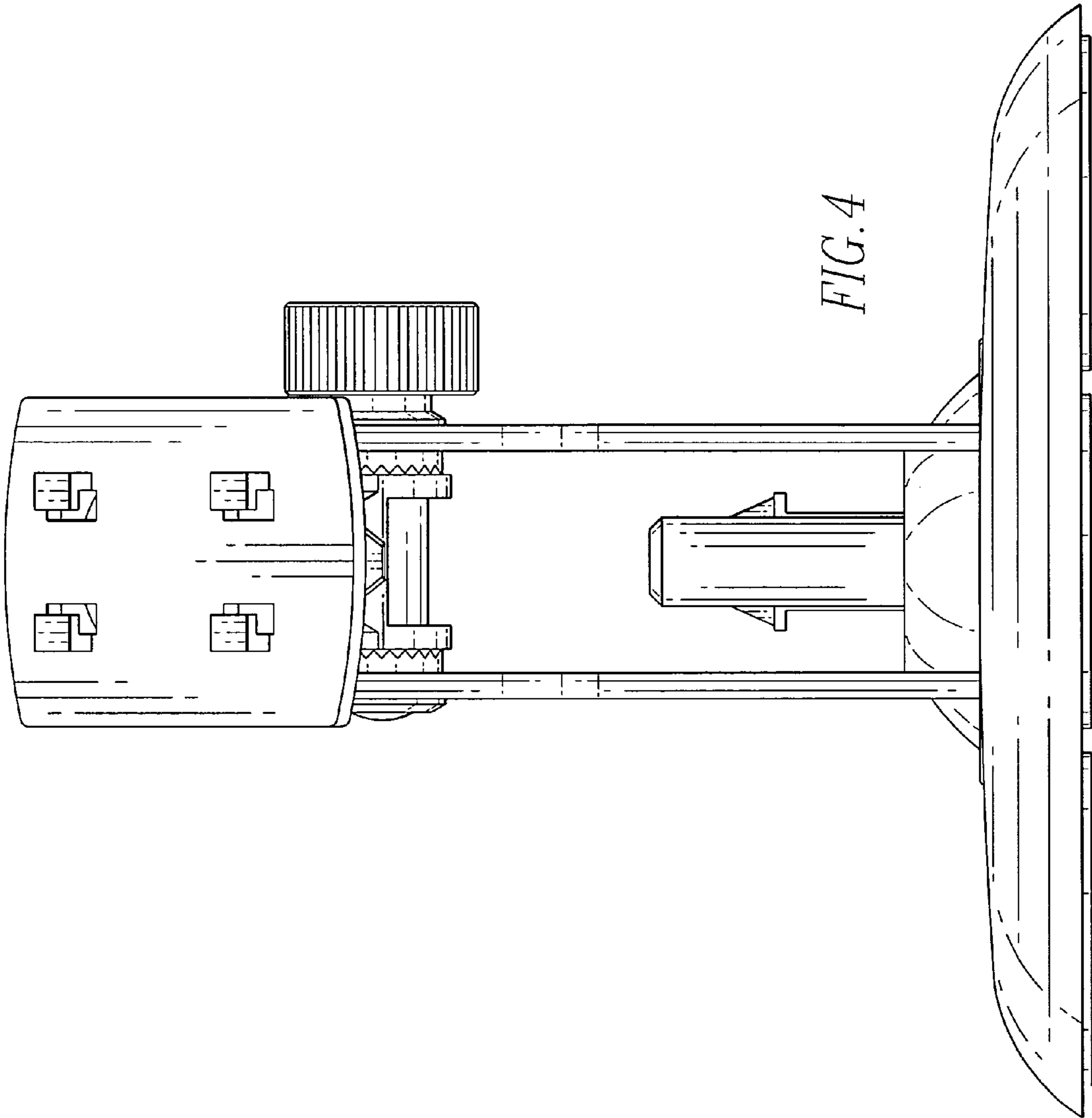


FIG. 4



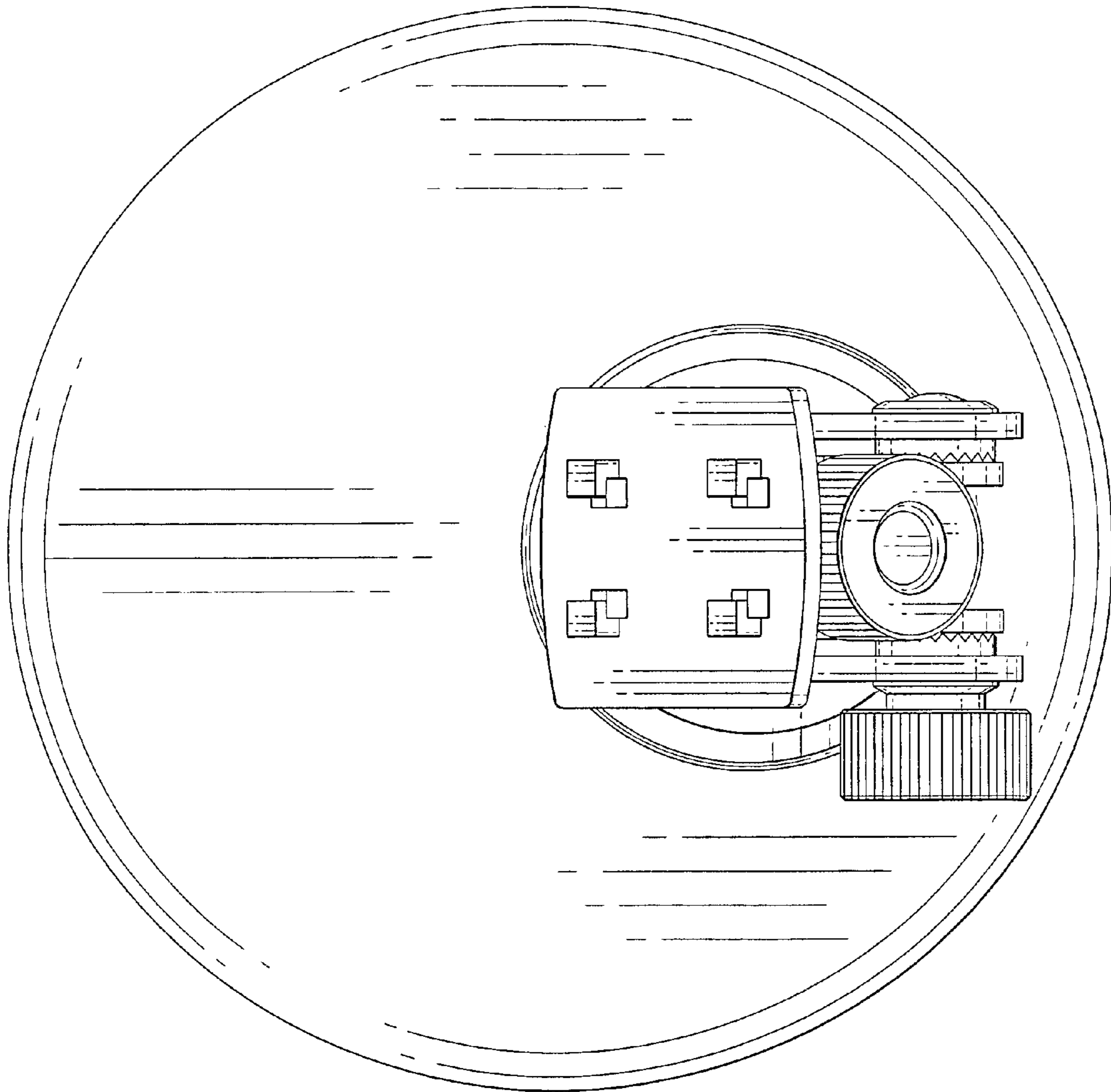


FIG. 5

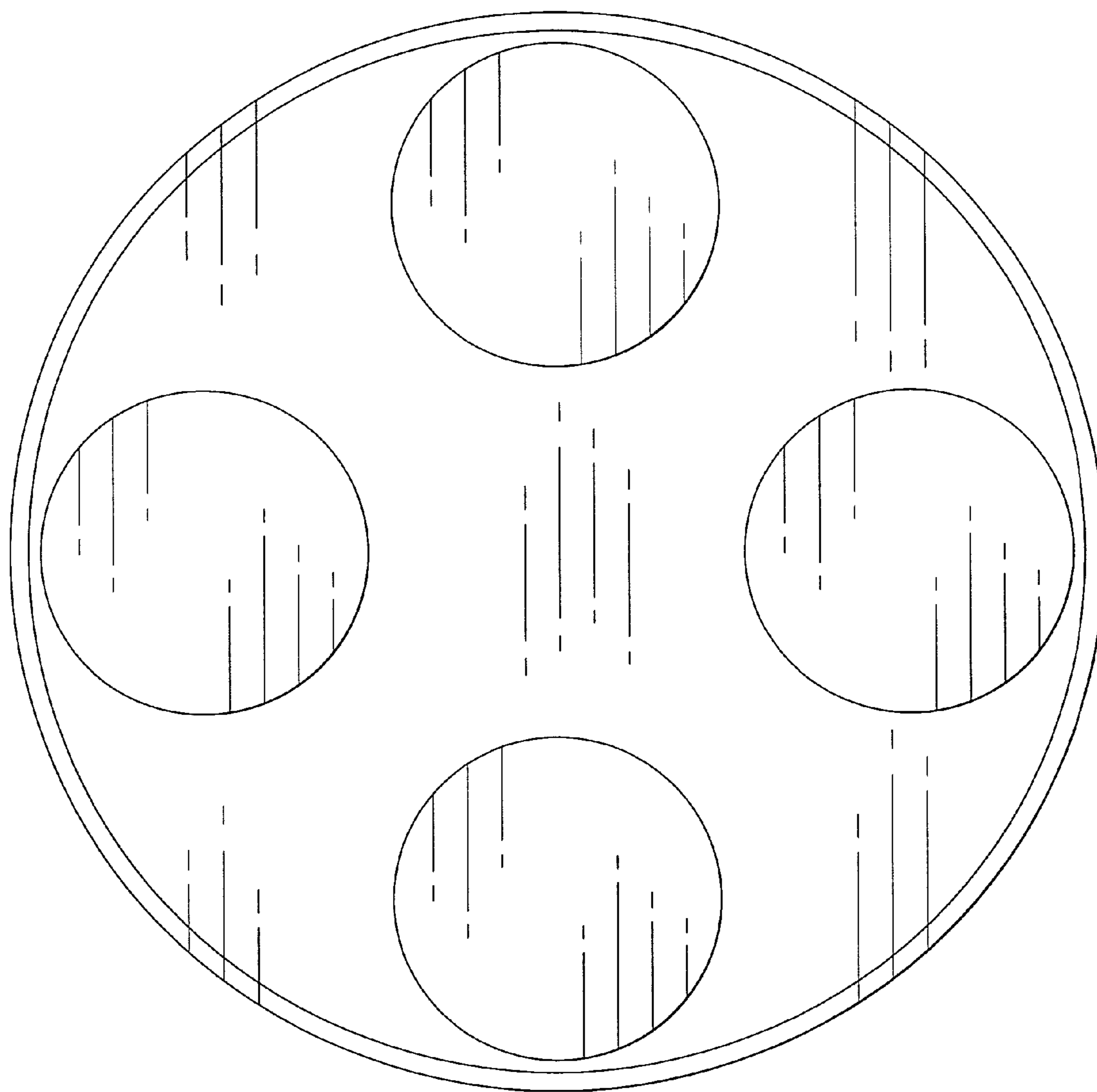


FIG. 6