



US00D593563S

(12) **United States Design Patent**
Alfonso et al.

(10) **Patent No.:** **US D593,563 S**
(45) **Date of Patent:** **** Jun. 2, 2009**

(54) **BEZEL FOR INFORMATION HANDLING SYSTEM HOUSING**

(75) Inventors: **Pedro Alfonso**, Austin, TX (US);
Donald C. Guthan, Jr., Round Rock, TX (US)

(73) Assignee: **Dell Products L.P.**, Round Rock, TX (US)

(**) Term: **14 Years**

(21) Appl. No.: **29/326,154**

(22) Filed: **Oct. 13, 2008**

(51) **LOC (9) Cl.** **14-02**

(52) **U.S. Cl.** **D14/444; D14/313**

(58) **Field of Classification Search** D14/441-446,
D14/356, 313, 360-368; D13/162, 184,
D13/199; 312/223.2; 361/686, 690-696;
369/34.01, 36.01; D6/300

See application file for complete search history.

(56) **References Cited**

U.S. PATENT DOCUMENTS

D398,601 S *	9/1998	Fu	D14/444
D406,579 S *	3/1999	Kazamaki et al.	D14/444
D408,386 S *	4/1999	Yeh et al.	D14/445
D408,390 S *	4/1999	Liu	D14/446
D409,391 S *	5/1999	Zaidman	D6/300
D419,983 S *	2/2000	Foslien et al.	D14/441
D421,431 S *	3/2000	Mazzetti et al.	D14/442

D474,187 S *	5/2003	Hsu	D14/445
D537,446 S *	2/2007	Ayala et al.	D14/441
D551,234 S *	9/2007	Zong et al.	D14/442
D555,160 S *	11/2007	Cox et al.	D14/445
D566,119 S *	4/2008	Dearborn et al.	D14/446
D566,120 S *	4/2008	Dearborn et al.	D14/446

* cited by examiner

Primary Examiner—Freda S Nunn

(74) *Attorney, Agent, or Firm*—Stephen A. Terrile; Hamilton & Terrile, LLP

(57) **CLAIM**

The ornamental design for bezel for information handling system housing, as shown and described.

DESCRIPTION

FIG. 1 is a front perspective view of the information handling system housing comprising the present invention;

FIG. 2 is a front view thereof;

FIG. 3 is a right side view thereof;

FIG. 4 is a left side view thereof;

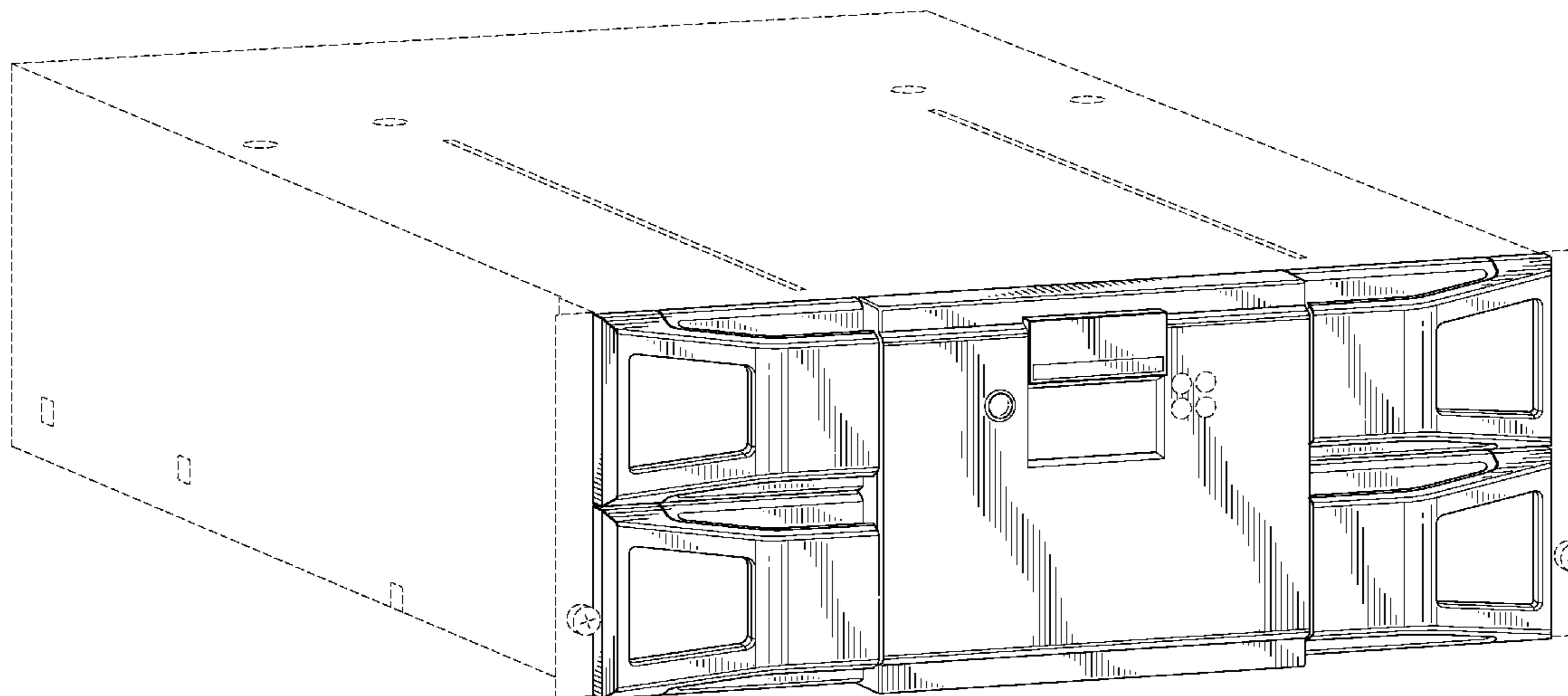
FIG. 5 is a top view thereof;

FIG. 6 is a bottom view thereof; and,

FIG. 7 is a rear view thereof.

Broken lines shown in the drawings illustrate portions of the information handling system housing, and form no part of the claimed design.

1 Claim, 5 Drawing Sheets



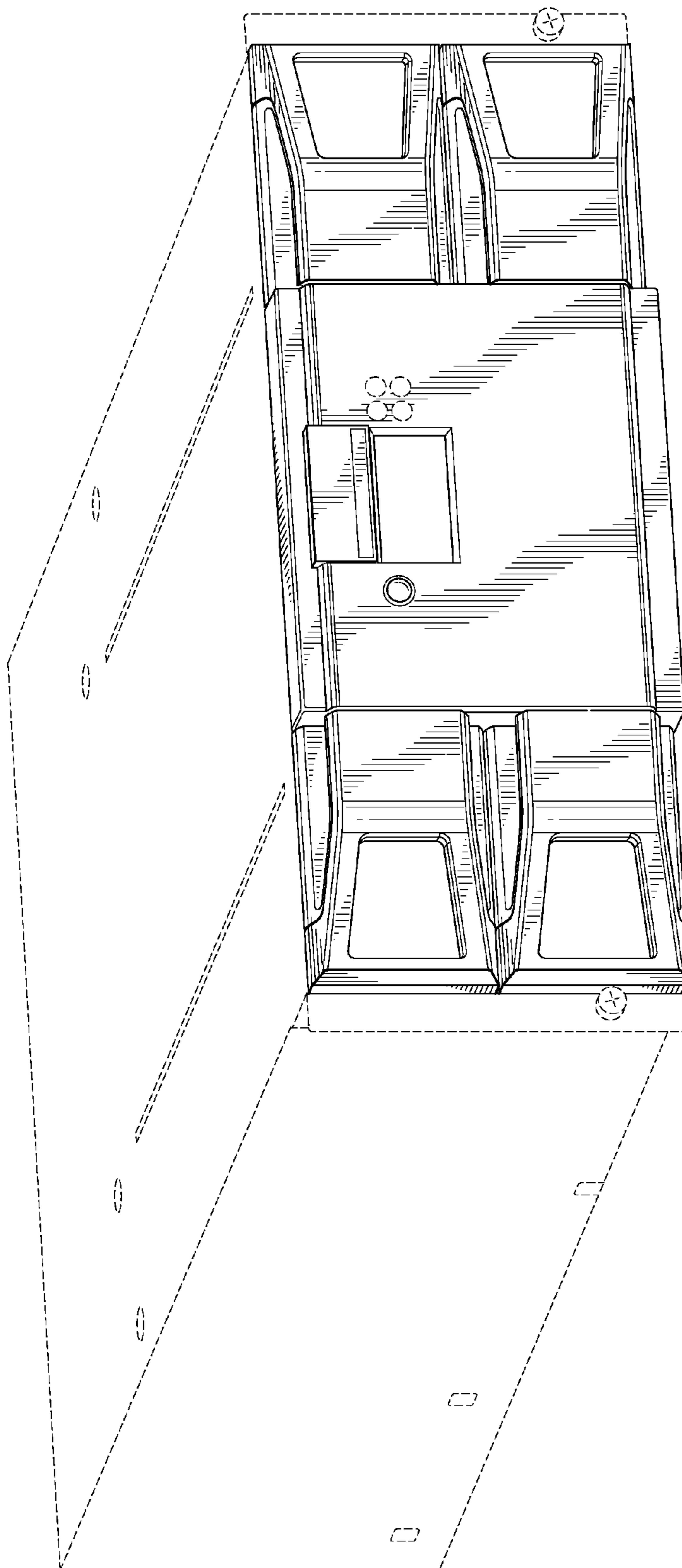


FIG. 1

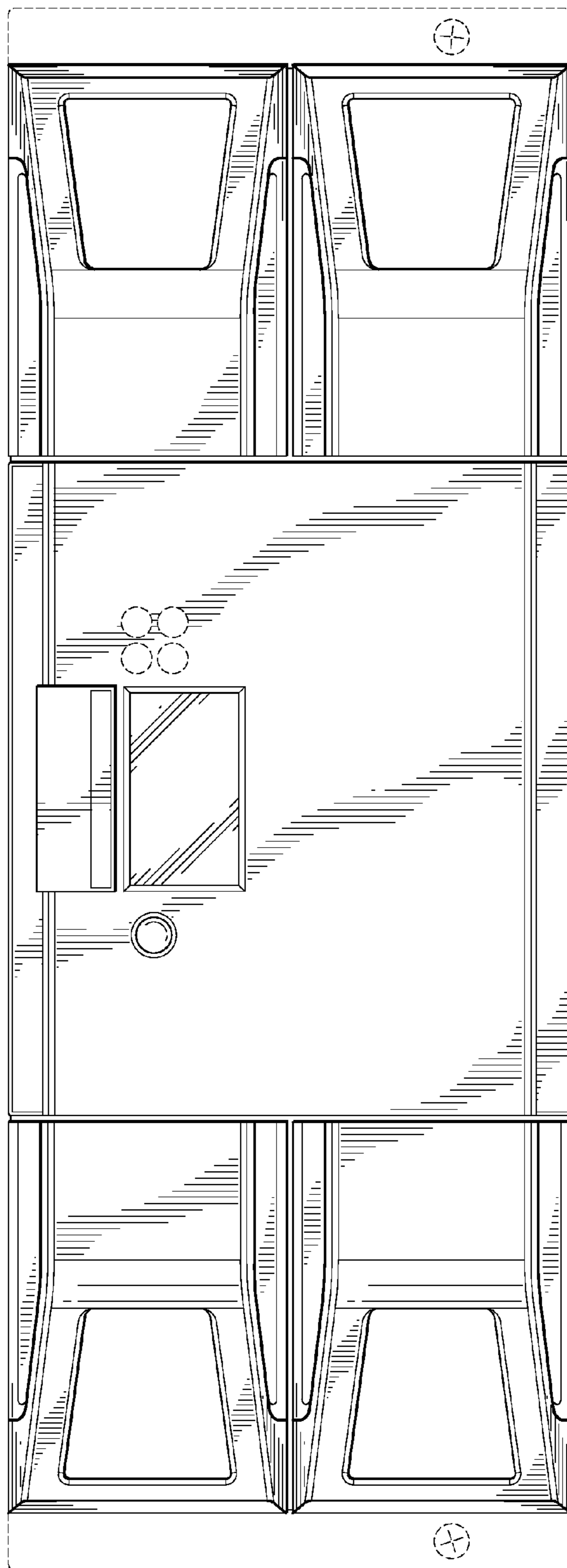


FIG. 2

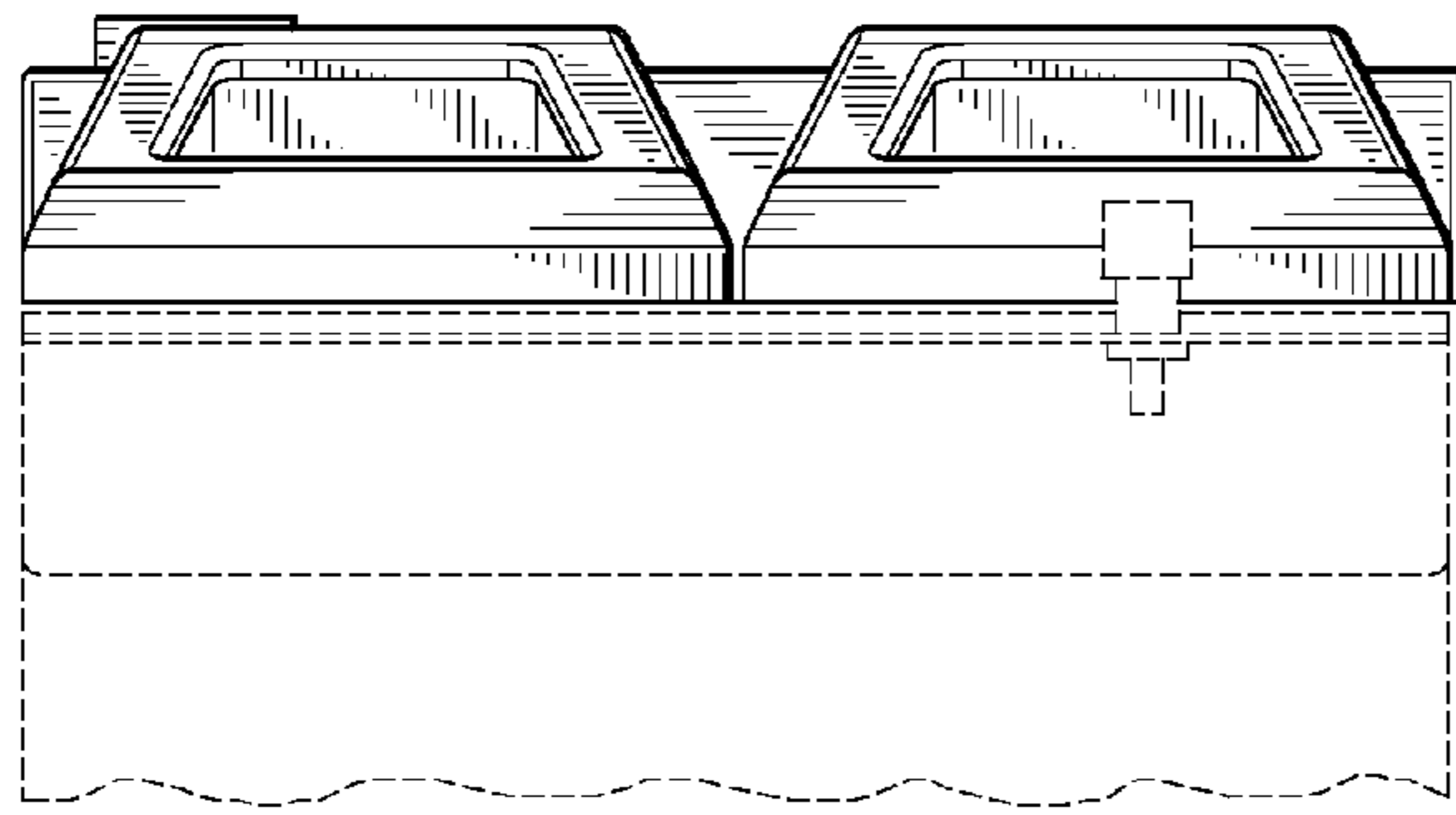


FIG. 4

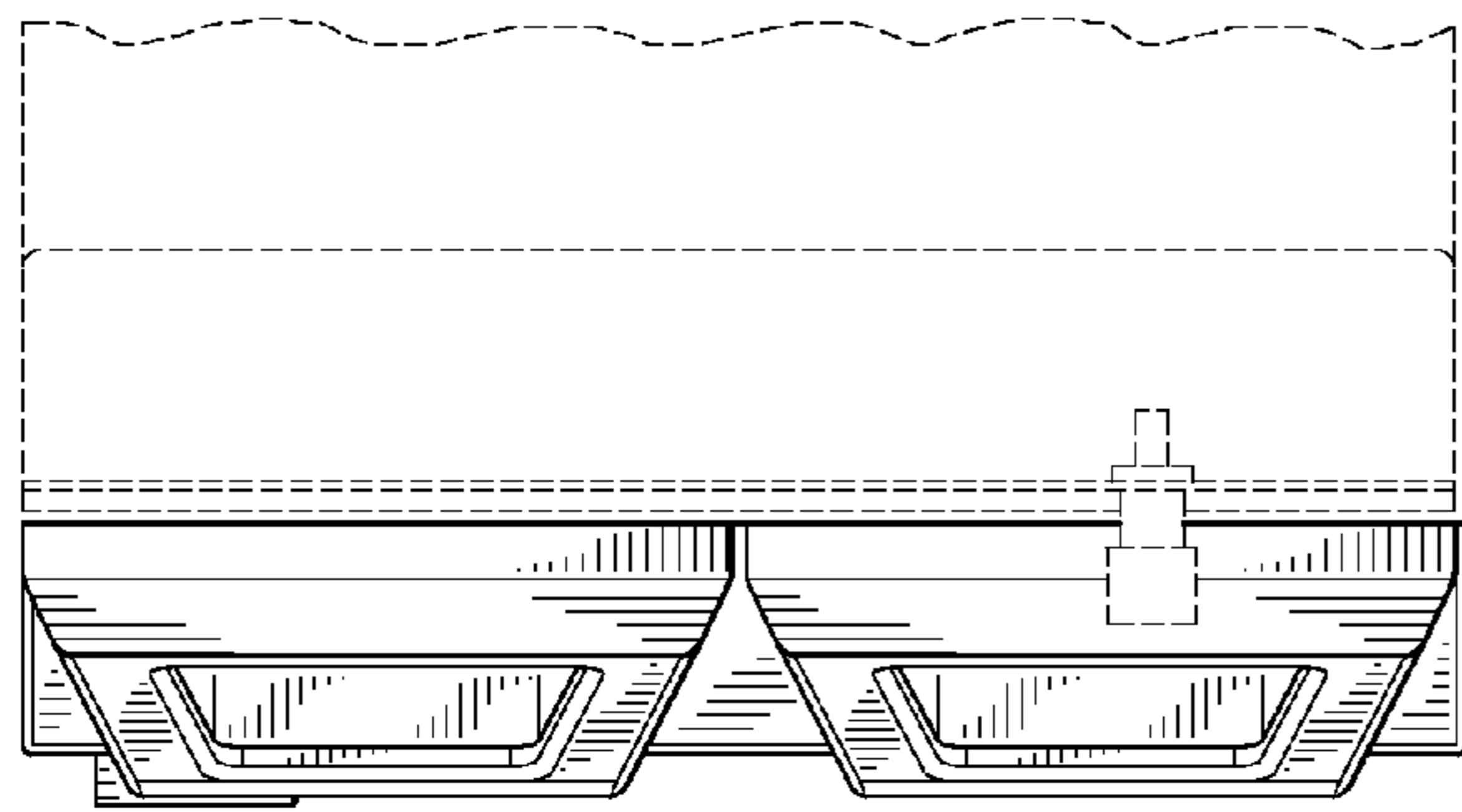


FIG. 3

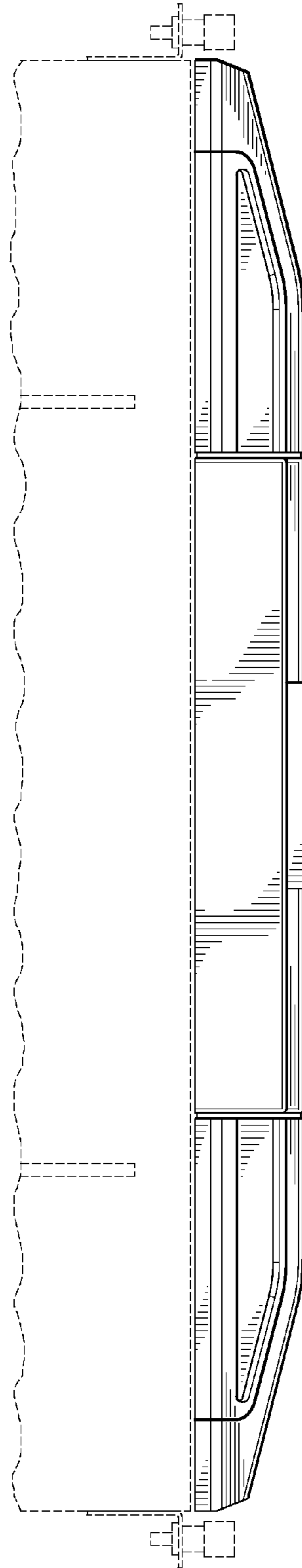


FIG. 5

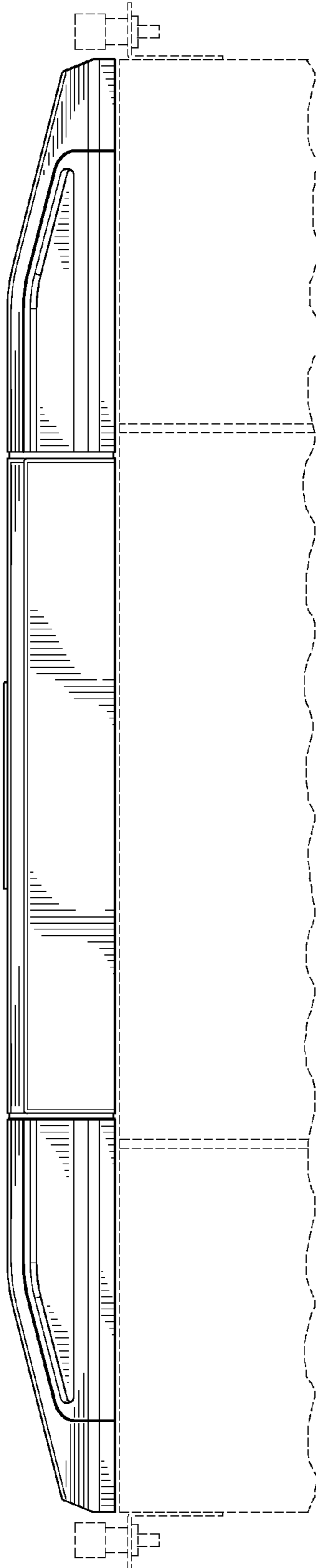


FIG. 6

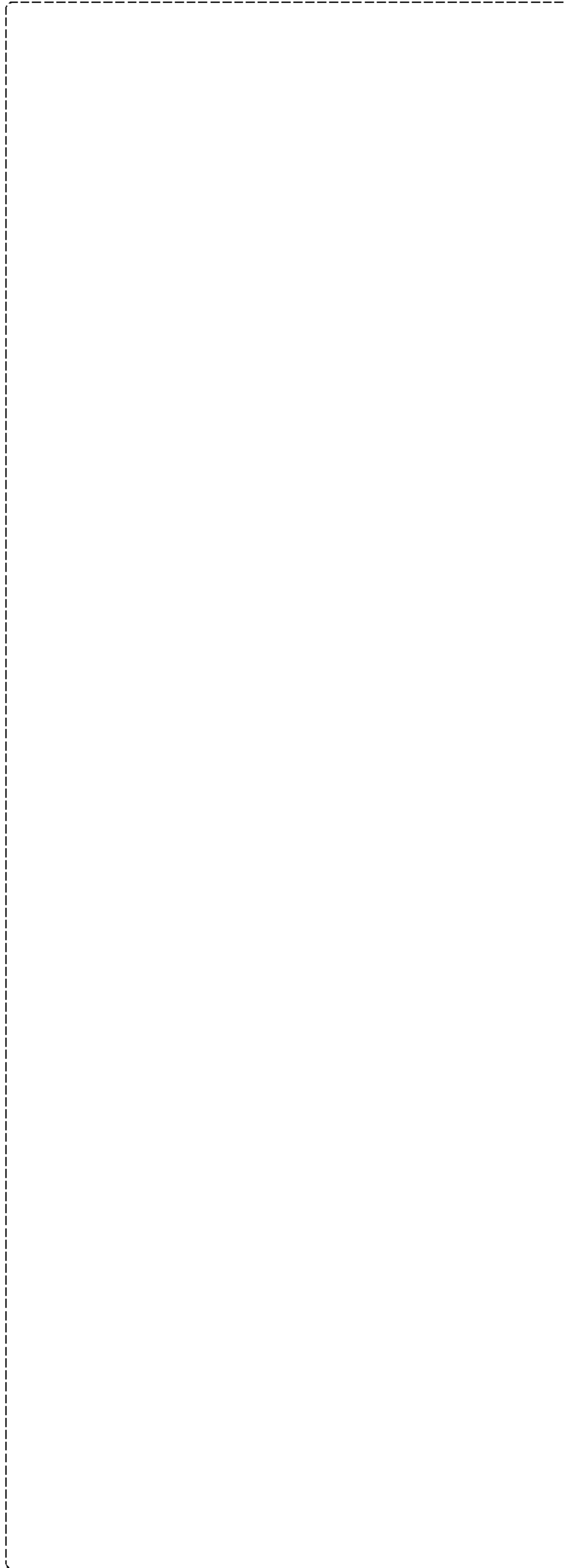


FIG. 7