

US00D593561S

(12) **United States Design Patent**
Sheba

(10) **Patent No.:** **US D593,561 S**
(45) **Date of Patent:** **** Jun. 2, 2009**

(54) **MEMORY CARD HOLDER**
(75) Inventor: **Yaron Sheba**, Mountain View, CA (US)
(73) Assignee: **SanDisk Corporation**, Milpitas, CA (US)
(**) Term: **14 Years**
(21) Appl. No.: **29/310,554**
(22) Filed: **Aug. 26, 2008**

(51) **LOC (9) Cl.** **14-02**
(52) **U.S. Cl.** **D14/435; D3/294**
(58) **Field of Classification Search** D14/435, D14/436, 437, 438, 432, 356; D3/294, 273, D3/201, 203.5, 203.6, 284, 295, 903, 203.1, D3/203.2; D9/414, 422, 424, 430, 432, 415; D28/83, 77, 78; D6/632, 407, 634, 635, D6/627-629; 206/38, 38.1, 39, 232, 804, 206/815, 308.1, 308.3, 472, 473, 483, 474, 206/477, 480, 569, 570, 482, 485, 486, 320, 206/305, 307, 307.1, 450, 701, 722, 387.1, 206/387.13, 491, 455, 316.1, 316.2, 706, 206/725, 312, 223, 235, 236, 811, 710, 454, 206/581, 531, 493, 445, 311, 823, 574; 361/756, 361/686, 801, 802, 737, 752, 727; 150/147; 235/486, 487, 451, 492, 493, 380, 386; 242/378.2, 242/375, 385.1; 439/630, 945, 61, 135, 946; 53/471; 40/642.02; 224/277, 929; 220/4.22, 220/526, 281, 315, 326, 826, 263, 835, 324, 220/838, 4.23, 839; 16/361; 215/201; 211/40; 190/109, 117, 901; 312/244; 402/3, 76; D7/629; D8/339, 330, 331, 343; 292/116, 292/137, 148, 156, 302, DIG. 11; 132/293-295, 132/298, 301, 300; D21/333
See application file for complete search history.

(56) **References Cited**
U.S. PATENT DOCUMENTS
3,294,222 A * 12/1966 Hodgson 206/534.1
D209,629 S * 12/1967 Brockway D9/420
D214,819 S * 7/1969 Goldberg D6/634

3,615,006 A * 10/1971 Freed 206/454
3,749,230 A * 7/1973 Foster 206/1.5
3,767,110 A * 10/1973 Congleton 220/4.23
D230,569 S * 3/1974 Fallowfield et al. D9/423
3,891,070 A * 6/1975 Montanari et al. 190/117
D237,419 S * 10/1975 Lapins et al. D3/282
3,954,179 A * 5/1976 Warmath 206/528
D249,825 S * 10/1978 Hasulak D3/282
4,345,607 A * 8/1982 Contreras et al. 49/386
4,454,889 A * 6/1984 Contreras, Sr. 132/301
D278,097 S * 3/1985 Akiyoshi D3/295
D281,033 S * 10/1985 Mohri D3/295
D285,177 S * 8/1986 Goetz D9/420
D288,983 S * 3/1987 Juhas et al. D6/634
4,703,853 A * 11/1987 Byrns 206/387.13

(Continued)

OTHER PUBLICATIONS

Hardy, Ed. "SD/MMC Card Holder Review", Palm Infocenter, Feb. 22, 2002, 6 pages. Printed from Internet at <http://www.palminfocenter.com/news/3025/review-sd-mmc-card-holder/> on Aug. 23, 2008.

(Continued)

Primary Examiner—Susan Moon Lee
(74) *Attorney, Agent, or Firm*—Brinks Hofer Gilson & Lione

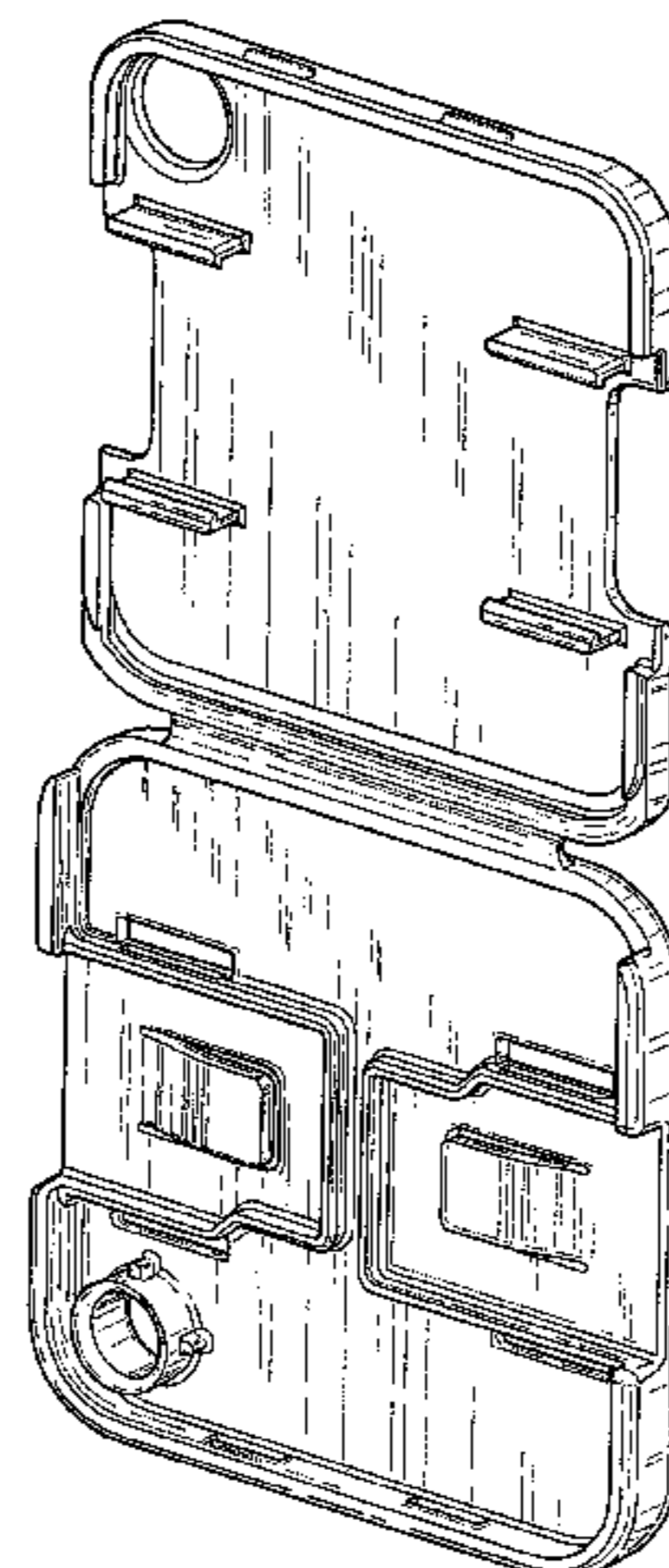
(57) **CLAIM**

The ornamental design for a memory card holder, as shown and described.

DESCRIPTION

FIG. 1 is a perspective view of a memory card holder that incorporates my new design.
FIG. 2 is a bottom view thereof.
FIG. 3 is a rear view thereof.
FIG. 4 is a top view thereof.
FIG. 5 is a front view thereof.
FIG. 6 is a left-side view thereof; and,
FIG. 7 is a right-side view thereof.

1 Claim, 4 Drawing Sheets



U.S. PATENT DOCUMENTS

4,778,047	A *	10/1988	Lay	206/749	6,766,952	B2 *	7/2004	Luu	235/451
4,863,034	A *	9/1989	Contreras, Sr.	206/581	D497,074	S *	10/2004	Dardashti	D6/632
D308,913	S *	7/1990	Kirchner	D6/634	D497,508	S *	10/2004	Dardashti	D6/632
D309,431	S *	7/1990	Sheehan	D9/424	6,824,006	B2 *	11/2004	Lambelet, Jr.	220/835
5,050,623	A *	9/1991	Yuhara et al.	132/301	D514,308	S *	2/2006	Wahl et al.	D3/203.2
5,094,396	A *	3/1992	Burke	242/378.2	D525,069	S *	7/2006	Farrar et al.	D6/632
5,115,931	A *	5/1992	Dubach	215/235	RE39,311	E *	10/2006	Davis et al.	132/295
D333,727	S *	3/1993	Schurman	D3/292	D531,025	S *	10/2006	Tanner	D9/426
5,293,995	A *	3/1994	Iwaki et al.	206/308.3	7,163,152	B2 *	1/2007	Osborn et al.	235/486
D347,728	S *	6/1994	Taniyama	D6/634	7,191,899	B2 *	3/2007	Garcia et al.	206/308.1
D352,601	S *	11/1994	Dallaire	D3/212	7,293,647	B2 *	11/2007	Wong et al.	206/307.1
D358,055	S *	5/1995	Long et al.	D6/632	7,306,159	B1 *	12/2007	Rochelo	235/492
5,531,322	A *	7/1996	Iwaki et al.	206/308.3	7,325,744	B2 *	2/2008	Porter	235/486
5,638,838	A *	6/1997	Lombardi	132/294	D565,842	S *	4/2008	Falcone	D3/294
5,697,498	A *	12/1997	Weisburn et al.	206/308.1	D566,395	S *	4/2008	Langer et al.	D3/294
D390,357	S *	2/1998	Rosen	D3/282	D567,032	S *	4/2008	Gilbert	D7/629
D391,760	S *	3/1998	Zeller	D3/281	7,350,642	B2 *	4/2008	Bjerregaard et al.	206/308.1
5,727,681	A *	3/1998	Li	206/308.1	D569,103	S *	5/2008	Hoge et al.	D3/294
5,740,938	A *	4/1998	Hofmann et al.	220/324	7,469,787	B2 *	12/2008	Yuhara	206/581
5,749,464	A *	5/1998	Cheris et al.	206/308.1	7,475,816	B1 *	1/2009	Rochelo	235/386
5,752,615	A *	5/1998	Hofmann et al.	220/324	2003/0062275	A1 *	4/2003	Rochelo	206/308.3
5,782,352	A *	7/1998	Senda	206/308.3	2003/0085285	A1 *	5/2003	Luu	235/486
D397,870	S *	9/1998	De Winter	D3/294	2004/0026275	A1 *	2/2004	Margetts et al.	206/308.1
5,826,719	A *	10/1998	Chen	206/373	2004/0079656	A1 *	4/2004	Hoogland	206/307.1
5,829,583	A *	11/1998	VerWeyst et al.	206/308.1	2004/0245128	A1 *	12/2004	MacColl et al.	206/232
5,842,486	A *	12/1998	Davis et al.	132/295	2005/0040057	A1 *	2/2005	Hoogland	206/308.1
5,865,310	A *	2/1999	Lee	206/308.1	2005/0155879	A1 *	7/2005	Hoogland	206/308.1
D406,192	S *	3/1999	Schurman	D3/282	2005/0167302	A1 *	8/2005	Bjerregaard et al.	206/308.1
5,878,878	A *	3/1999	Wu	206/307	2006/0208062	A1 *	9/2006	Osborn et al.	235/380
5,884,764	A *	3/1999	Hartstone	206/445	2007/0205115	A1 *	9/2007	Lee	206/37
D413,440	S *	9/1999	Schurman	D3/282					
D413,753	S *	9/1999	Allsop	D6/626					
5,984,441	A *	11/1999	Stokhuijzen	312/240					
D419,359	S *	1/2000	Eguchi et al.	D6/634					
6,021,901	A *	2/2000	Wolfe	206/531					
6,029,811	A *	2/2000	Heiligers	206/308.1					
D425,294	S *	5/2000	Haverstick	D3/203.1					
D431,881	S *	10/2000	Gavin	D28/78					
6,199,559	B1 *	3/2001	Nikolaus et al.	132/294					
6,199,689	B1 *	3/2001	Higuchi et al.	206/308.3					
6,223,754	B1 *	5/2001	Burdi et al.	132/300					
6,275,383	B1 *	8/2001	Bohm	361/752					
6,283,298	B1 *	9/2001	Seidler	206/581					
D456,201	S *	4/2002	Hummell et al.	D6/632					
D468,199	S *	1/2003	Lambelet et al.	D9/423					
D470,658	S *	2/2003	Chunn et al.	D3/282					
D477,143	S *	7/2003	Nagata et al.	D3/294					
D477,745	S *	7/2003	Shamoon	D6/632					
D478,689	S *	8/2003	Thorpe	D28/83					
6,648,166	B2 *	11/2003	Levy	220/520					
D484,352	S *	12/2003	Palmer	D6/632					
6,739,452	B2 *	5/2004	Rochelo	206/454					

OTHER PUBLICATIONS

G2—Mini SD Memory Card Case product web page from website InAnyCase.com, printed from the Internet at http://www.inanycase.com/Merchant2/merchant.mv?Session_ID=48B04D6900084CE400... on Aug. 23, 2008, 1 page.

Business Wire Commercial Photo of Memory Card Case, printed from the Internet at <http://cache.daylife.com/imageserve/044R5es3zg5yO/610x.jpg> on Jul. 28, 2008, 1 page.

Photo of Memory Card Case printed from the Internet at http://www.altec-cs.com/media/produkte/flash_speicher/micro-sd/microSD_2xAdapt_mr... on Jul. 28, 2008, 1 page.

Photo of Memory Card Case printed from the Internet at http://www.myaccessorymall.com/upload/Product/CZU003_zoom2.jpg on Aug. 23, 2008, 1 page.

Photo of Memory Card Case product web page from website bluenook.com, printed from the Internet at http://www.bluenook.com/display_image.asp?img=img%2Fproducts%2Fcase%5Flowepro... on Aug. 23, 2008, 1 page.

* cited by examiner

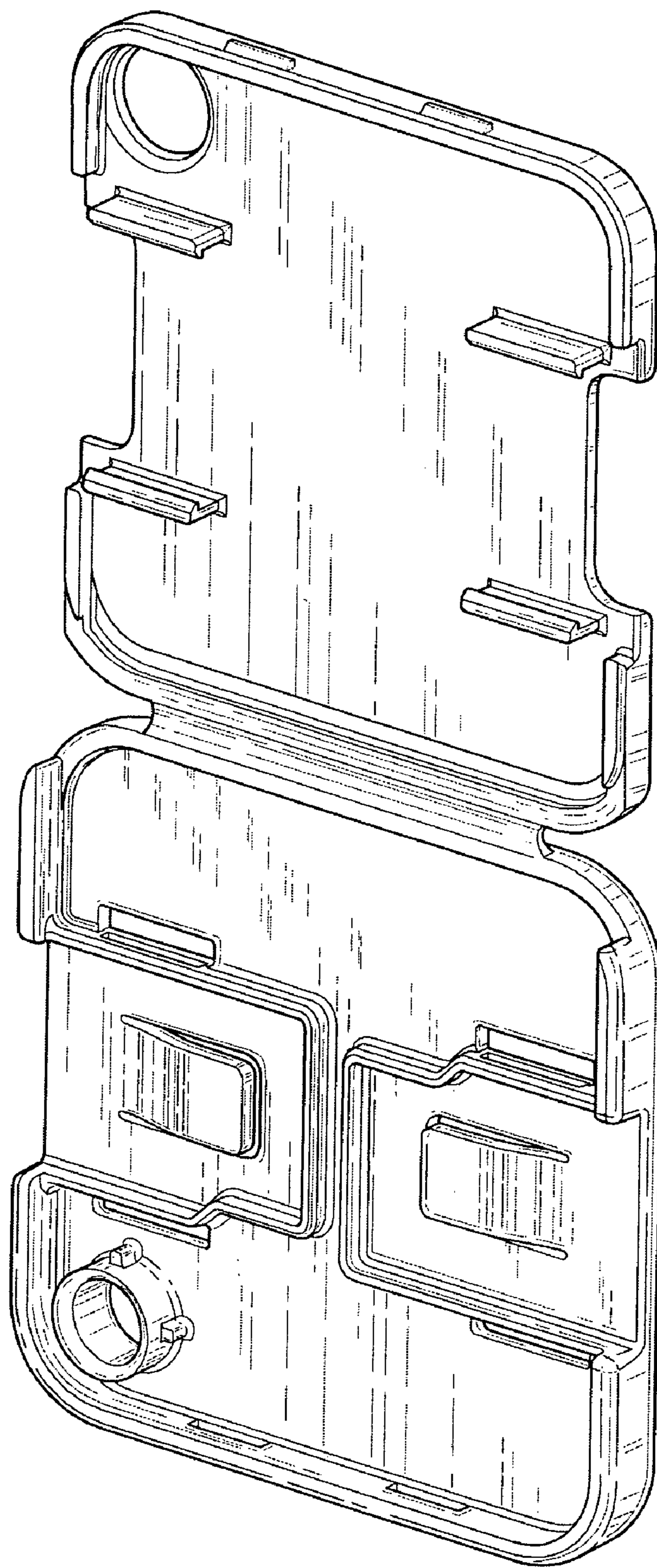


Fig. 1

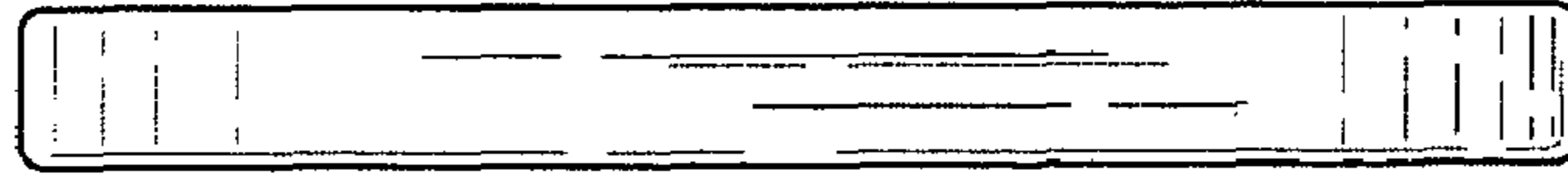


Fig. 2

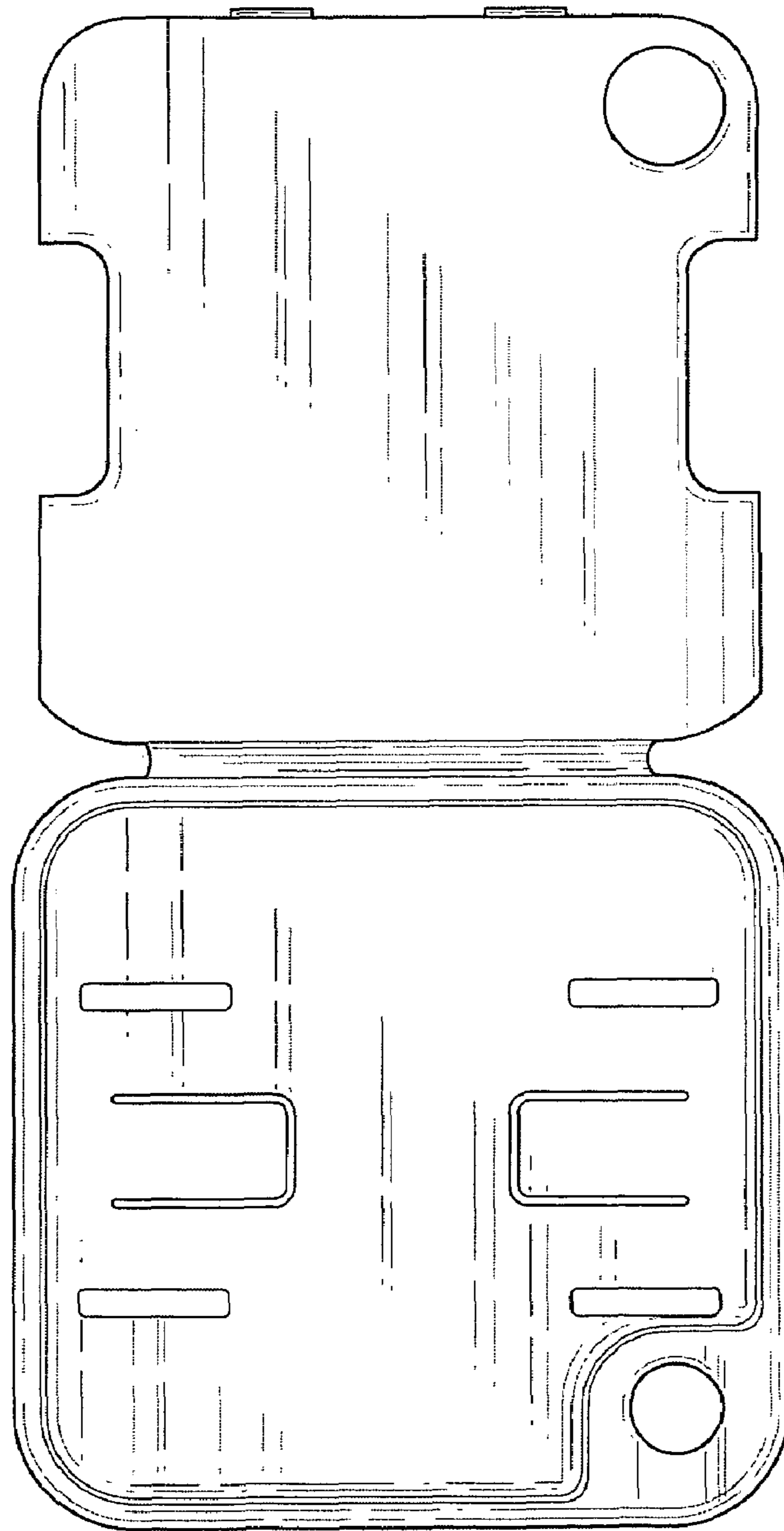


Fig. 3

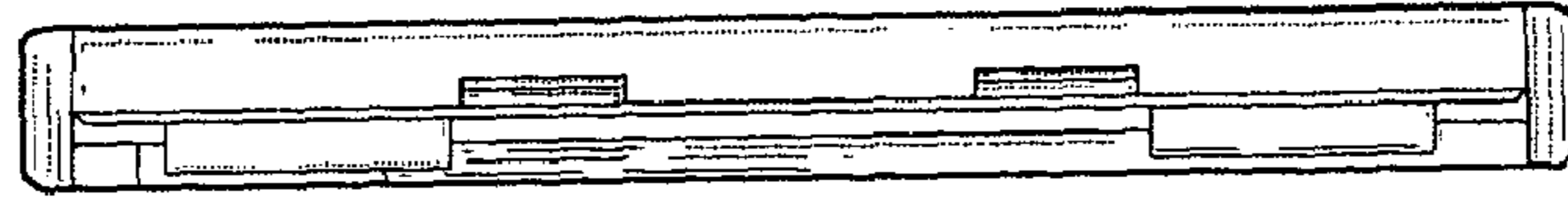


Fig. 4

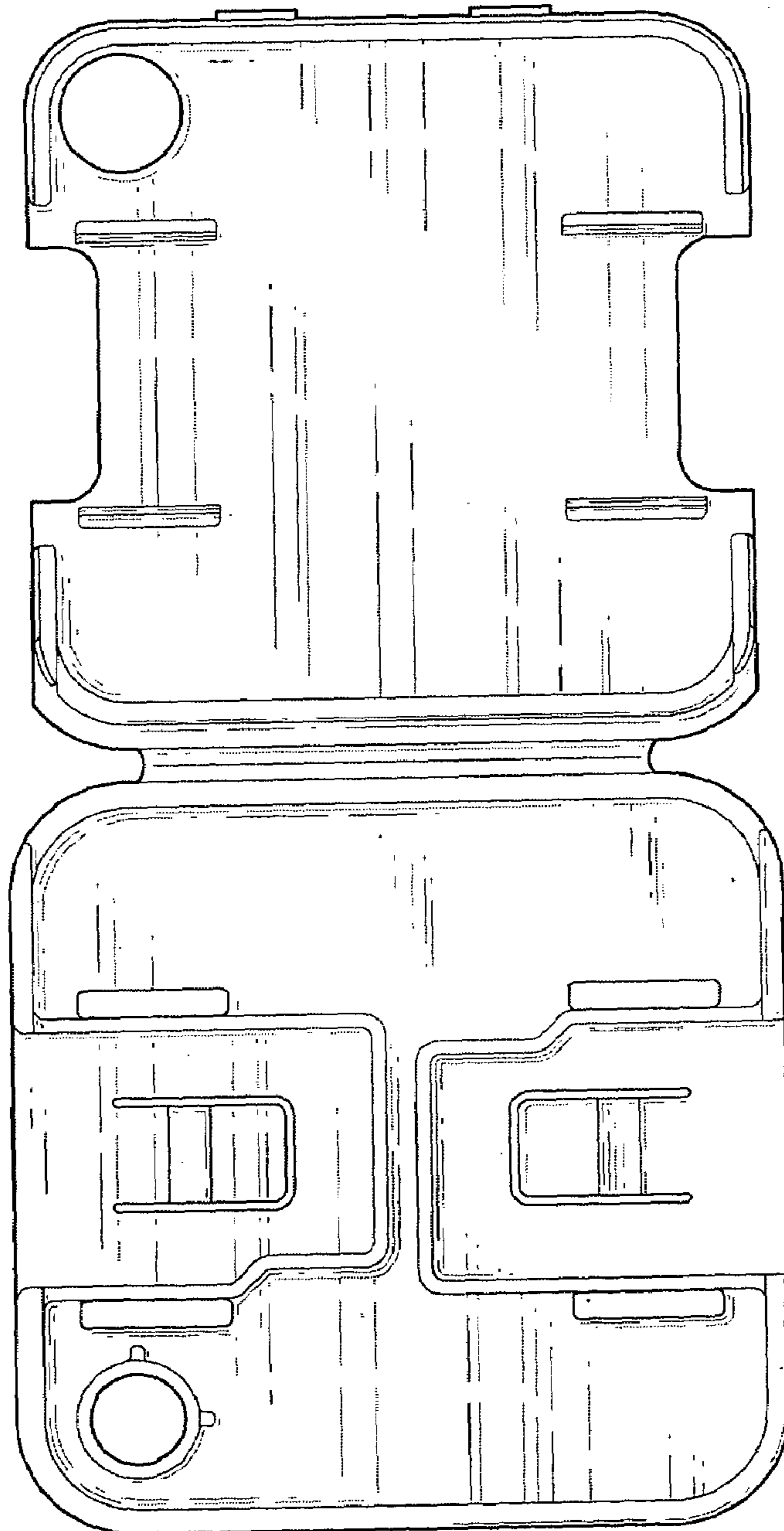


Fig. 5

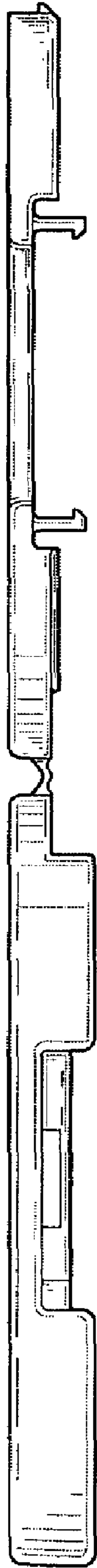


Fig. 6



Fig. 7