



US00D593559S

(12) **United States Design Patent**
Lin et al.

(10) **Patent No.:** **US D593,559 S**
(45) **Date of Patent:** **** Jun. 2, 2009**

(54) **FINGERPRINT INPUT DEVICE**

(75) Inventors: **Chung-Ping Lin**, Hsinchu (TW);
Ying-Shen Lin, Miaoli County (TW)

(73) Assignee: **Finger Pro. Incorporation**, Chu-Bei,
Hsinchu (TW)

(**) Term: **14 Years**

(21) Appl. No.: **29/290,402**

(22) Filed: **Nov. 30, 2007**

(30) **Foreign Application Priority Data**

Oct. 18, 2007 (TW) 96305634

(51) **LOC (9) Cl.** **14-02**

(52) **U.S. Cl.** **D14/384**

(58) **Field of Classification Search** D14/383–387,
D14/426; 345/169, 173; 356/71, 237.1;
382/116, 124–126, 181, 207; 235/382, 382.5;
355/64, 65, 75, 81; 118/31.5; 283/68–70,
283/74, 75, 78

See application file for complete search history.

(56) **References Cited**

U.S. PATENT DOCUMENTS

5,546,471 A * 8/1996 Merjanian 382/124
5,920,642 A * 7/1999 Merjanian 382/126
D426,237 S * 6/2000 Wranne D14/385
D429,725 S * 8/2000 Morimiya D14/384
6,263,090 B1 * 7/2001 Scott et al. 382/124
D466,119 S * 11/2002 Funahashi et al. D14/384
D475,708 S * 6/2003 Bergstrom D14/385

D487,266 S * 3/2004 Morimiya D14/384
D508,245 S * 8/2005 Ozolins et al. D14/383
D535,992 S * 1/2007 Ozolins et al. D14/383
2004/0170307 A1 * 9/2004 Manansala 382/126
2007/0019845 A1 * 1/2007 Kato 382/126

* cited by examiner

Primary Examiner—Freda S Nunn

(74) *Attorney, Agent, or Firm*—Birch, Stewart, Kolasch &
Birch, LLP

(57) **CLAIM**

The ornamental design for a fingerprint input device, as
shown and described.

DESCRIPTION

FIG. 1 is a perspective view of a fingerprint input device in
accordance with the present invention;

FIG. 2 is a front elevation view of the fingerprint input device
shown in FIG. 1;

FIG. 3 is a rear elevation view of the fingerprint input device
shown in FIG. 1;

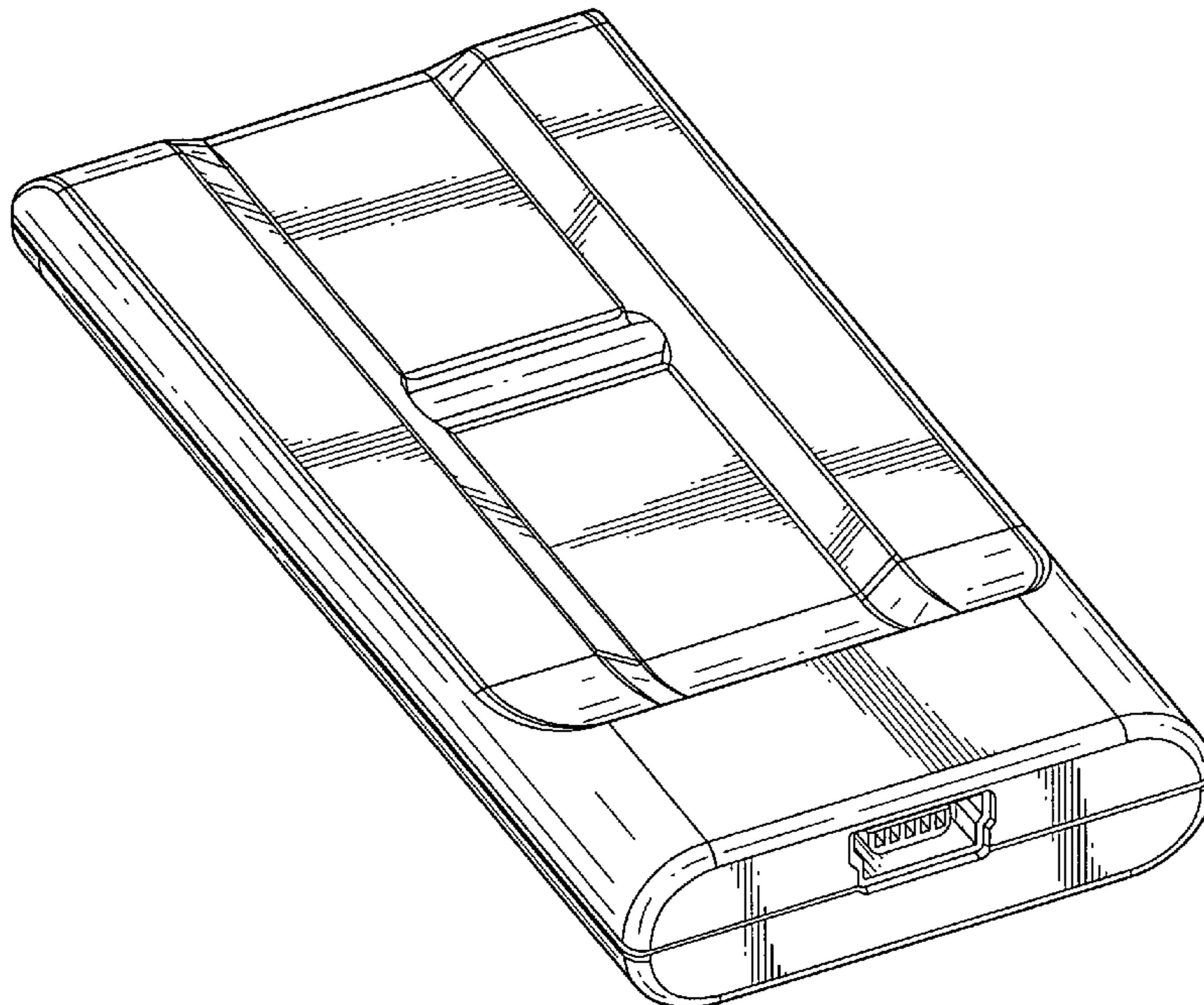
FIG. 4 is a left side view of the fingerprint input device shown
in FIG. 1;

FIG. 5 is a right side view of the fingerprint input device
shown in FIG. 1;

FIG. 6 is a top plan view of the fingerprint input device shown
in FIG. 1; and,

FIG. 7 is a bottom plan view of the fingerprint input device
shown in FIG. 1.

1 Claim, 4 Drawing Sheets



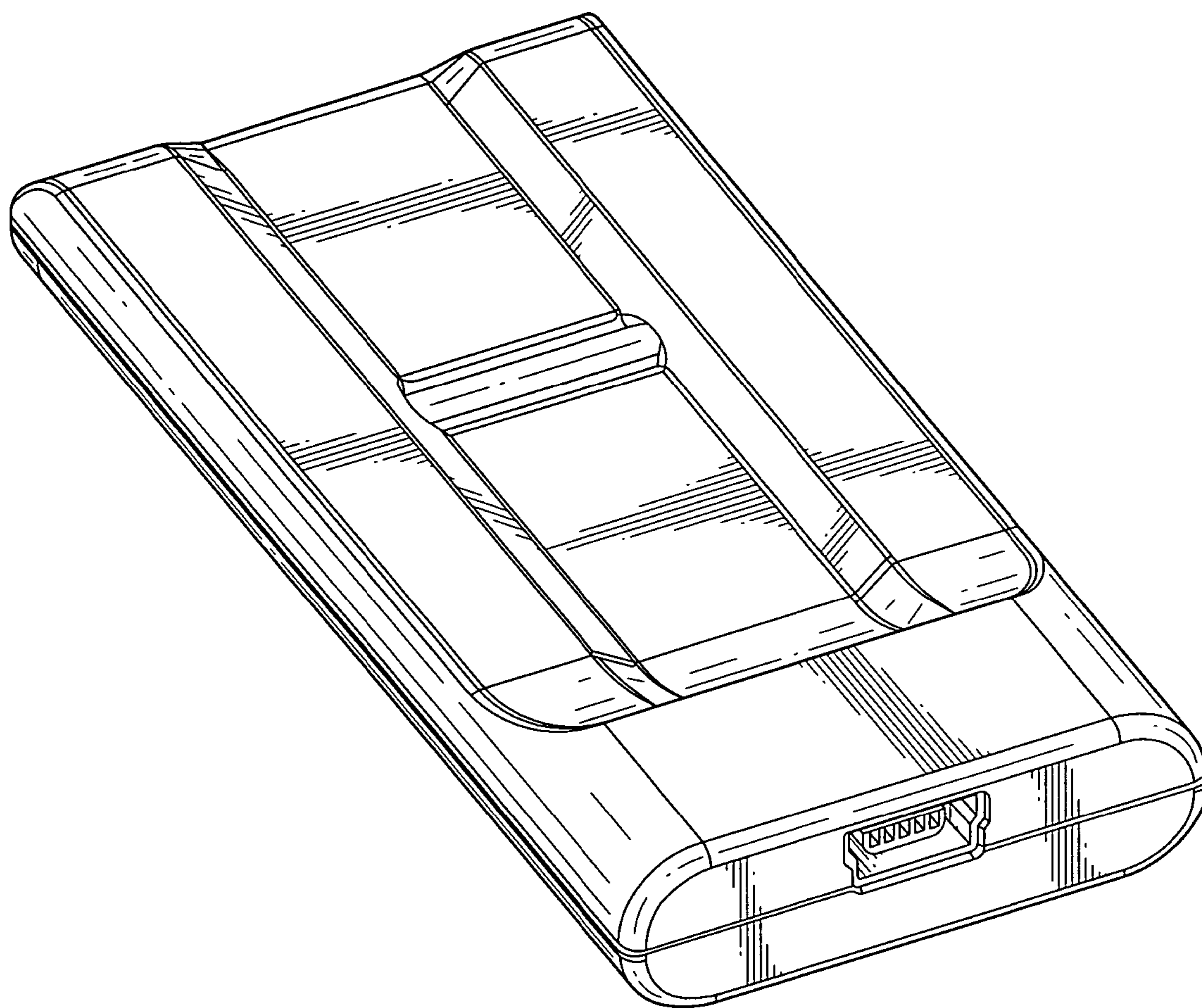


Fig.1

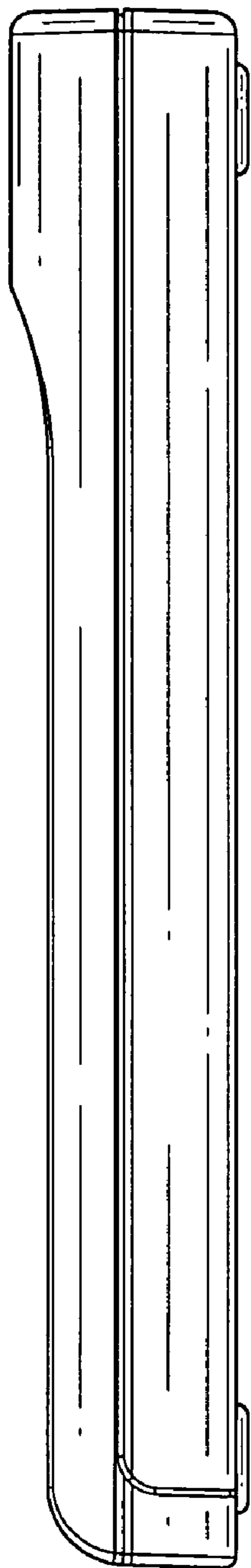


Fig. 2

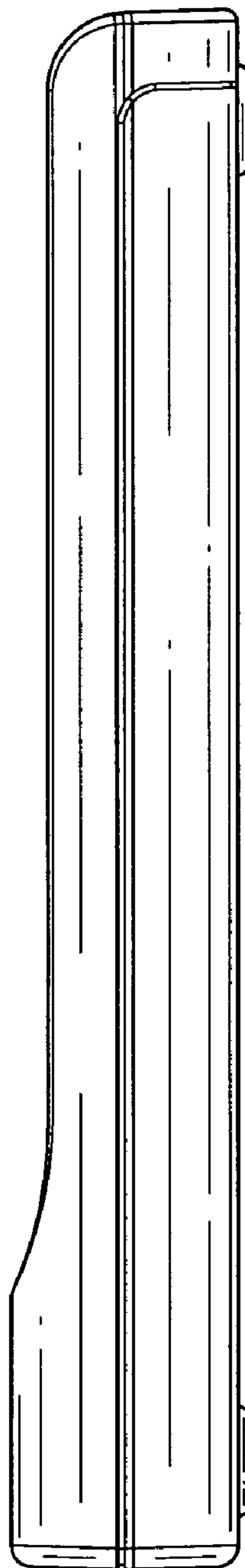


Fig. 3

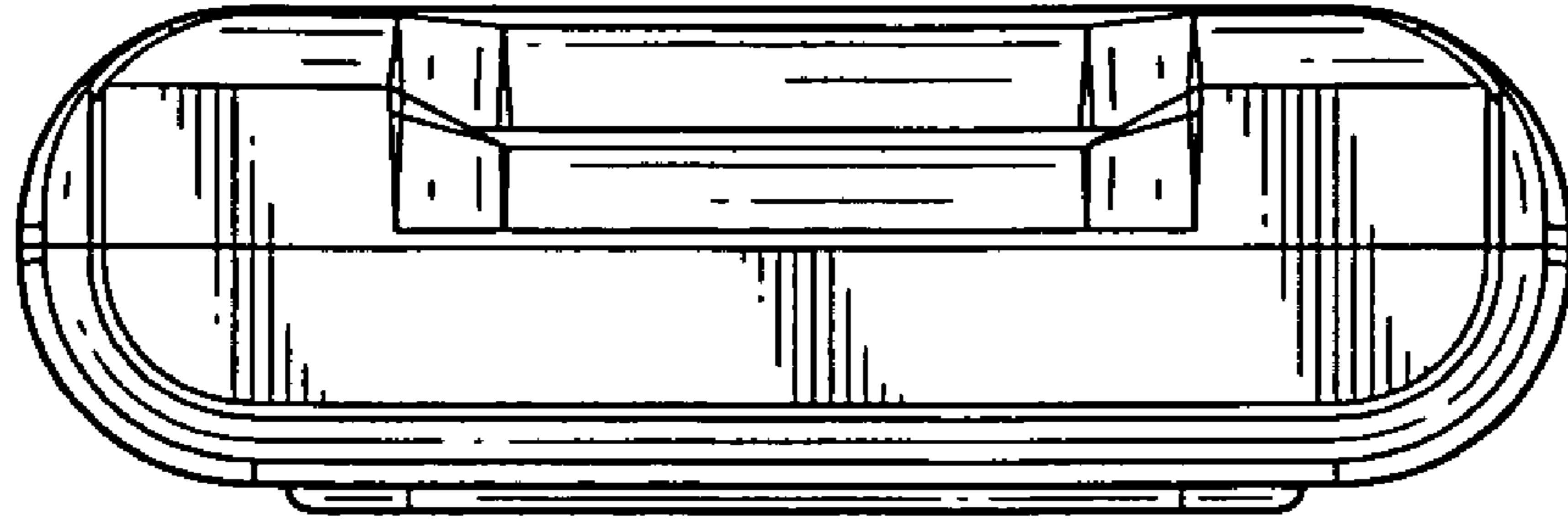


Fig.4

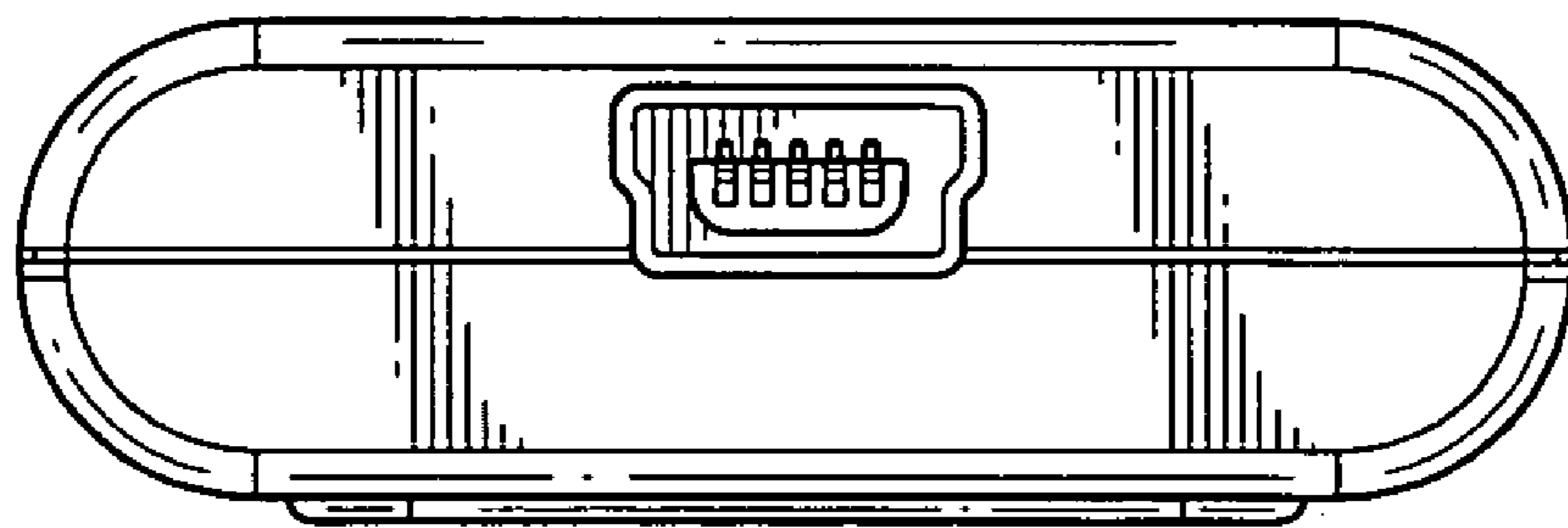


Fig.5

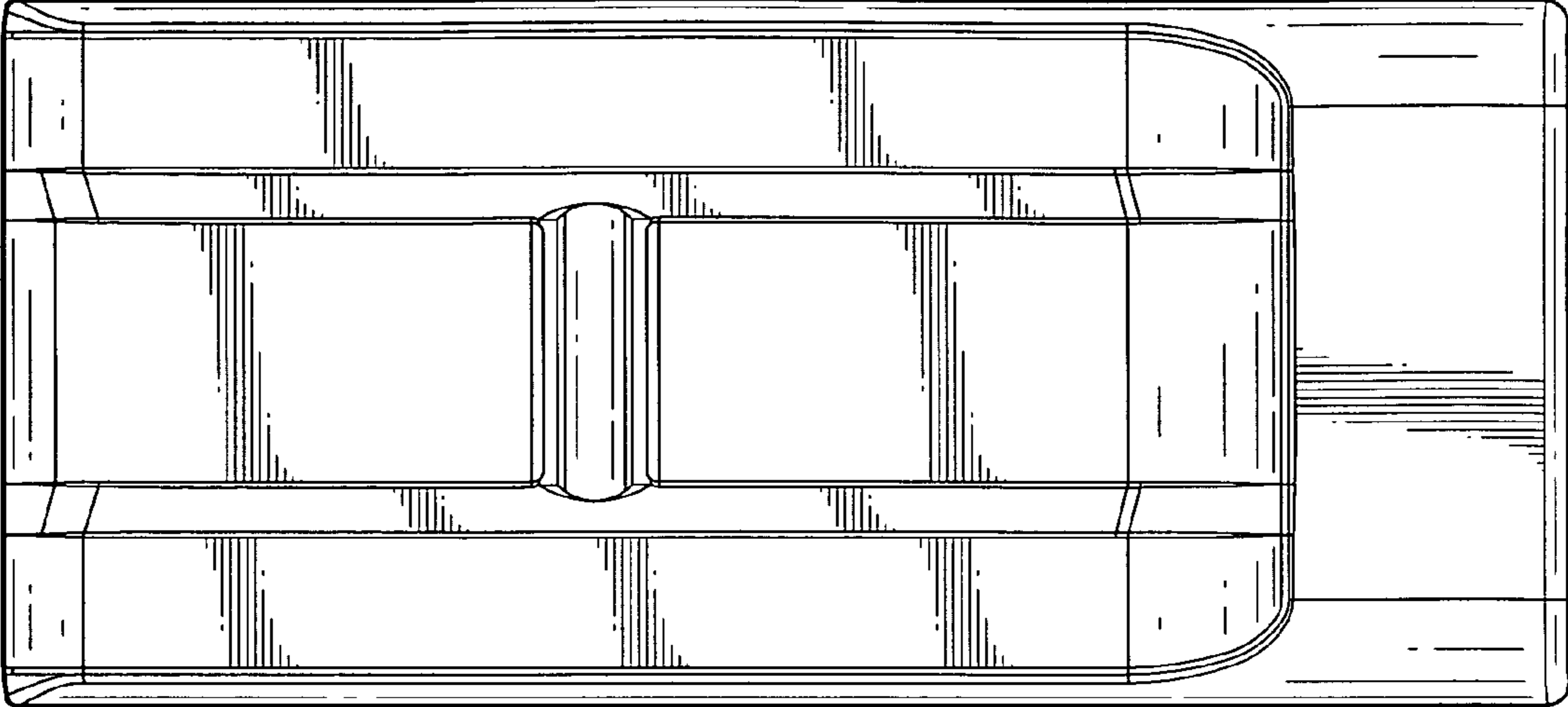


Fig.6

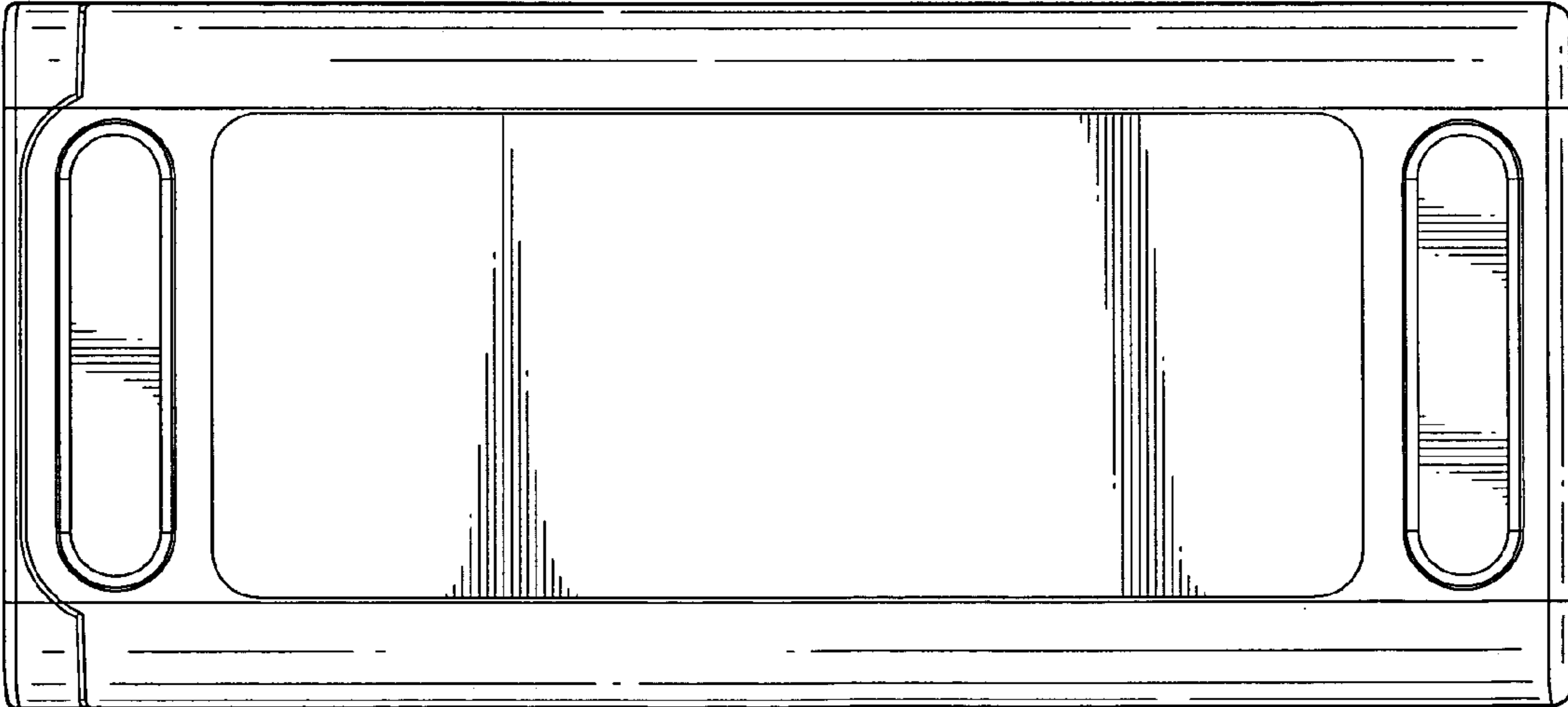


Fig.7