



US00D593558S

(12) **United States Design Patent**
Chiang et al.

(10) **Patent No.:** **US D593,558 S**
(45) **Date of Patent:** **** Jun. 2, 2009**

(54) **LCD MONITOR**

(75) Inventors: **Chi-Wen Chiang**, Miao-Li (TW);
Chien-Tung Chu, Miao-Li (TW);
Hsiao-Yuan Ho, Miao-Li (TW);
Hsiao-Ching Hung, Miao-Li (TW)

(73) Assignee: **Innolux Display Corp.**, Miao-Li County (TW)

(**) Term: **14 Years**

(21) Appl. No.: **29/293,364**

(22) Filed: **Nov. 19, 2007**

(30) **Foreign Application Priority Data**

May 18, 2007 (TW) 96302732

(51) **LOC (9) Cl.** **14-02**

(52) **U.S. Cl.** **D14/375**

(58) **Field of Classification Search** D14/371-375,
D14/125-129; 248/917-924, 278.1; 341/12;
345/104, 156, 168, 173, 901-905; 348/180,
348/184, 325, 739; 349/1, 2, 11, 62; D6/422;
361/680-686

See application file for complete search history.

(56) **References Cited**

U.S. PATENT DOCUMENTS

D425,035 S * 5/2000 Kondo et al. D14/375
6,381,125 B1 * 4/2002 Mizoguchi et al. 361/682

D469,091 S * 1/2003 Hasegawa et al. D14/375
6,807,051 B2 * 10/2004 Takahashi 361/681
D529,496 S * 10/2006 Chen et al. D14/375
D530,326 S * 10/2006 Chen et al. D14/375
D530,329 S * 10/2006 Chen et al. D14/375
2002/0020792 A1 * 2/2002 Lee 248/278.1
2005/0041379 A1 * 2/2005 Jang 361/681

* cited by examiner

Primary Examiner—Freda S Nunn

(74) *Attorney, Agent, or Firm*—Wei Te Chung

(57) **CLAIM**

The ornamental design for an LCD monitor, as shown and described.

DESCRIPTION

FIG. 1 is a front, top, right side perspective view of an LCD monitor showing our new design;

FIG. 2 is a front elevational view thereof;

FIG. 3 is a rear elevational view thereof;

FIG. 4 is a left side elevational view thereof;

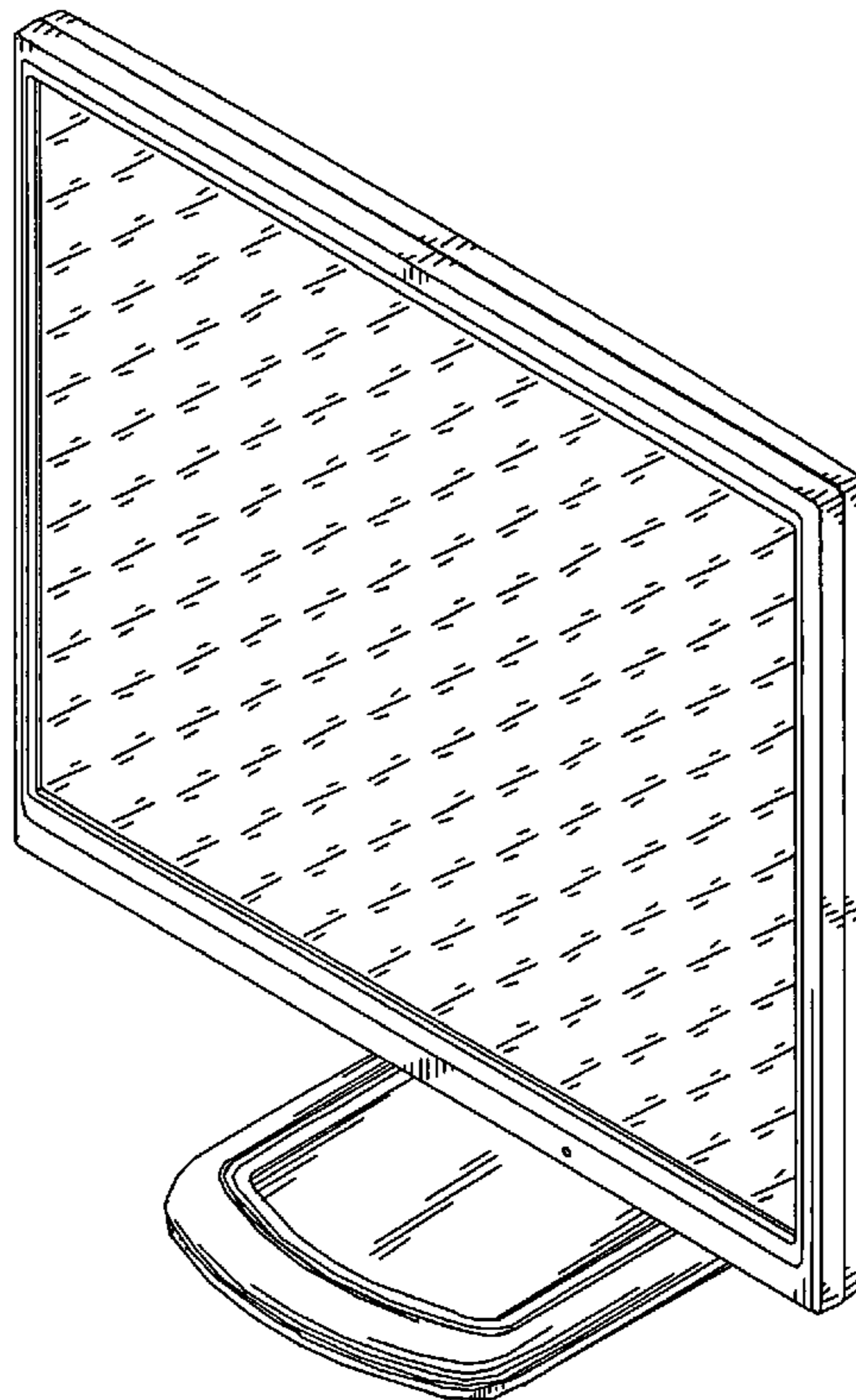
FIG. 5 is a right side elevational view thereof;

FIG. 6 is a top plan view thereof; and,

FIG. 7 is a bottom plan view thereof.

Broken lines shown in the drawings illustrate portions of the monitor, and form no part of the claimed design.

1 Claim, 5 Drawing Sheets



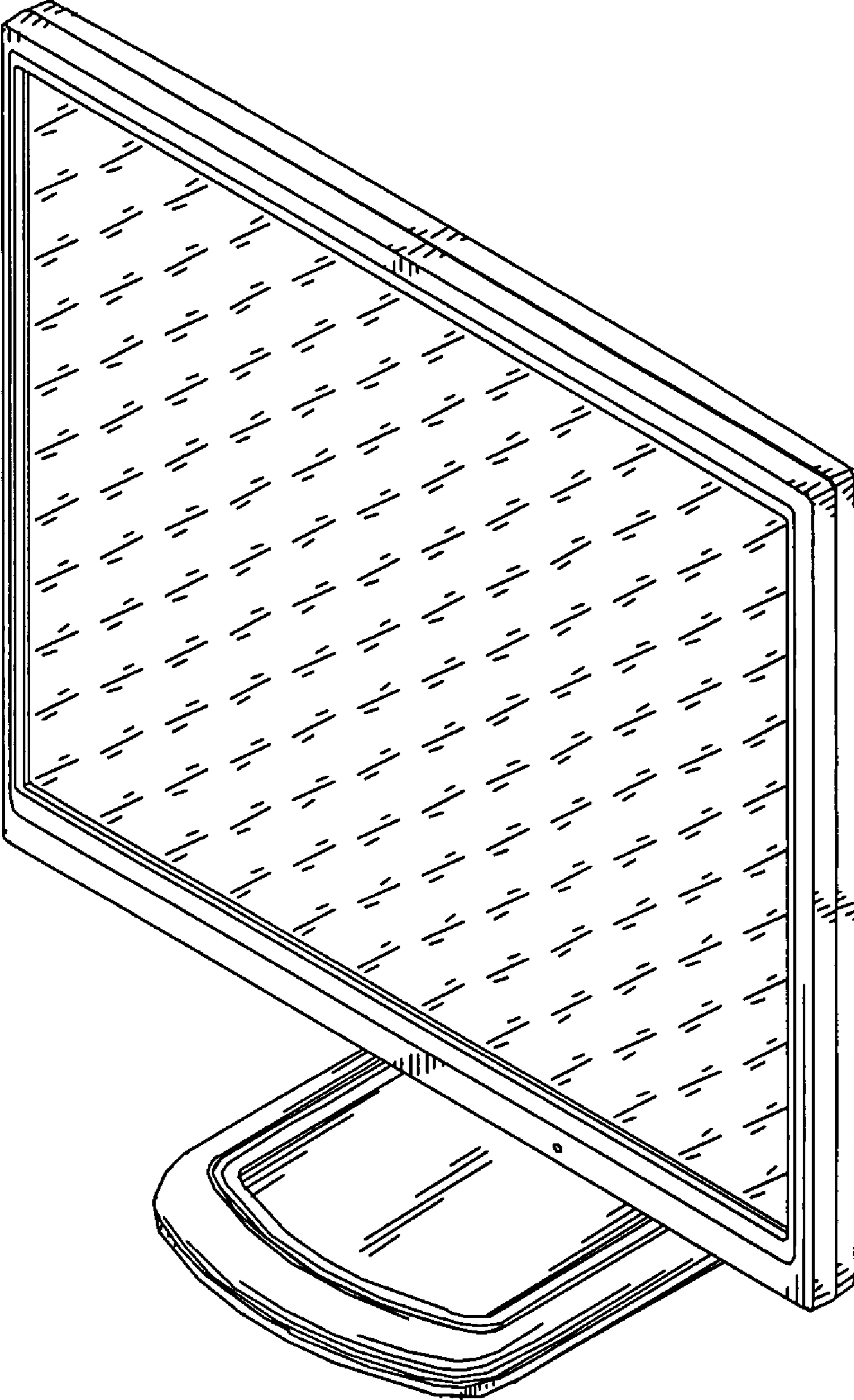


FIG. 1

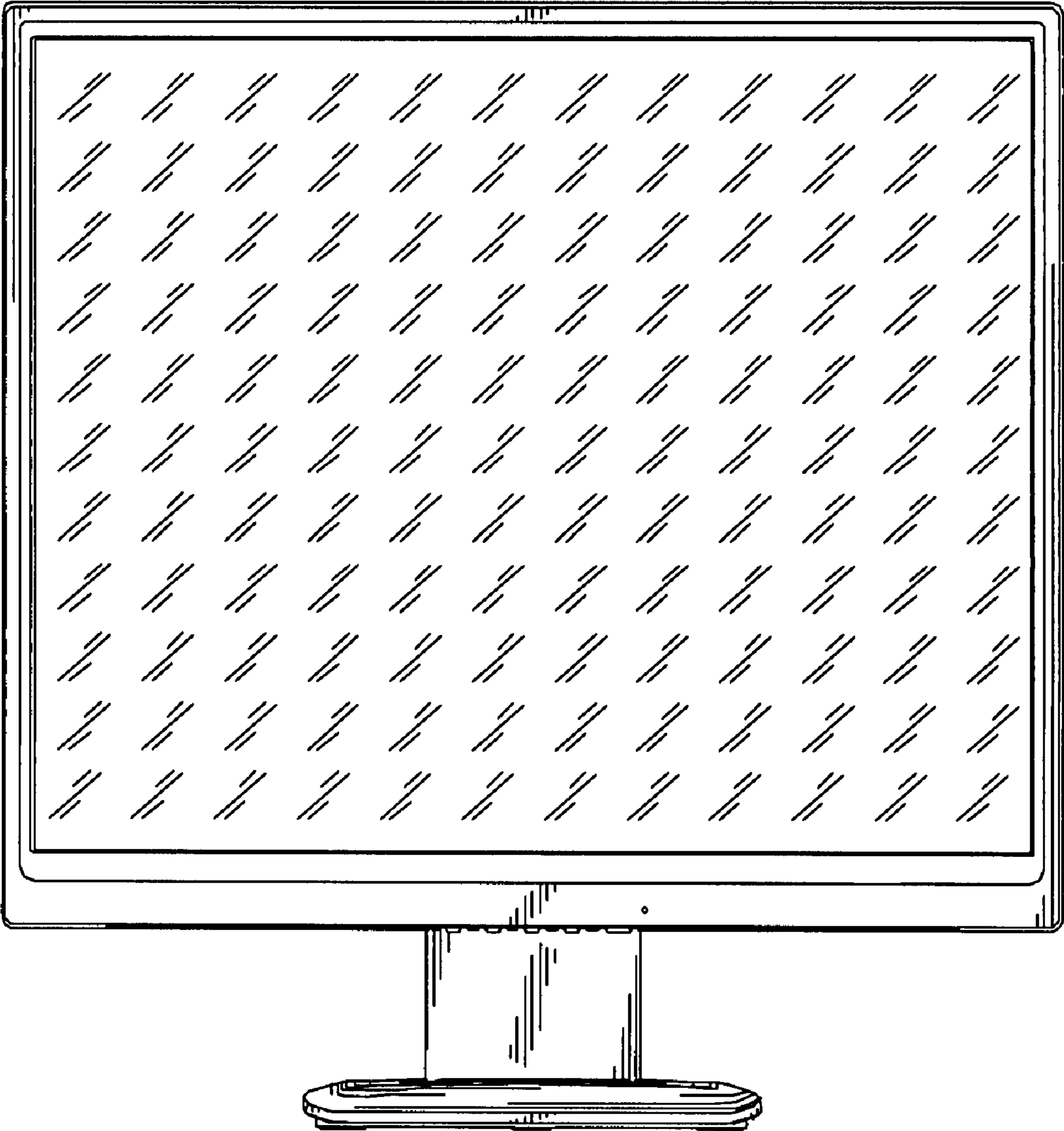


FIG. 2

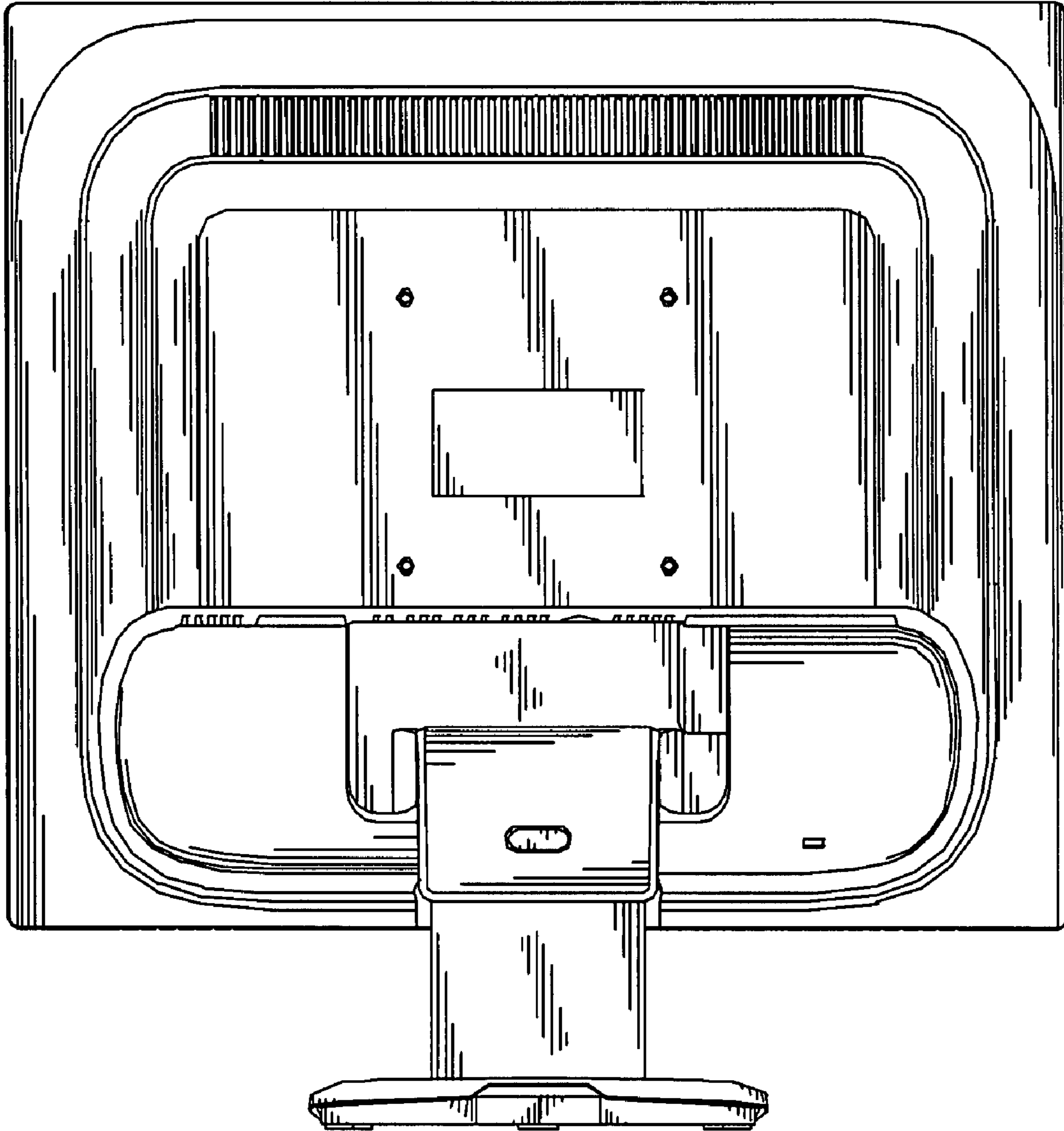


FIG. 3

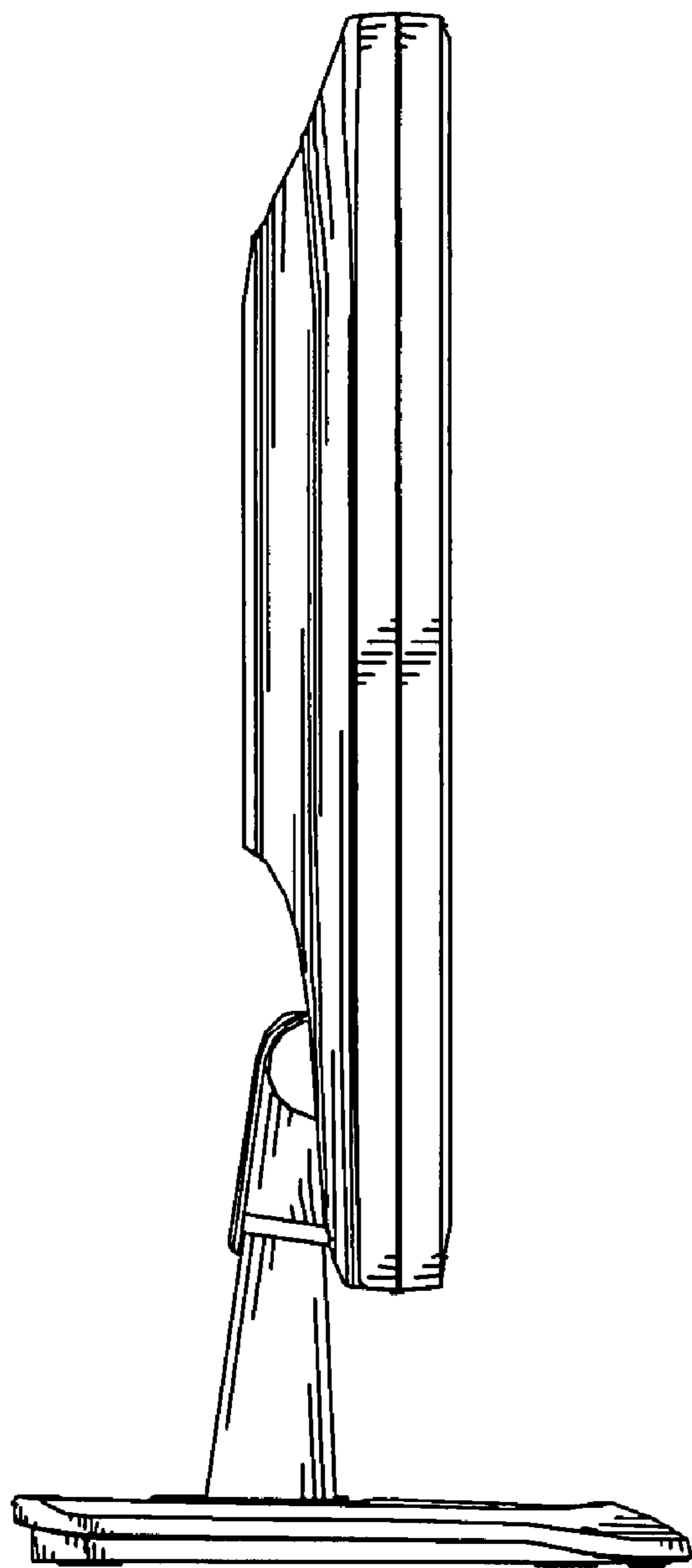


FIG. 4

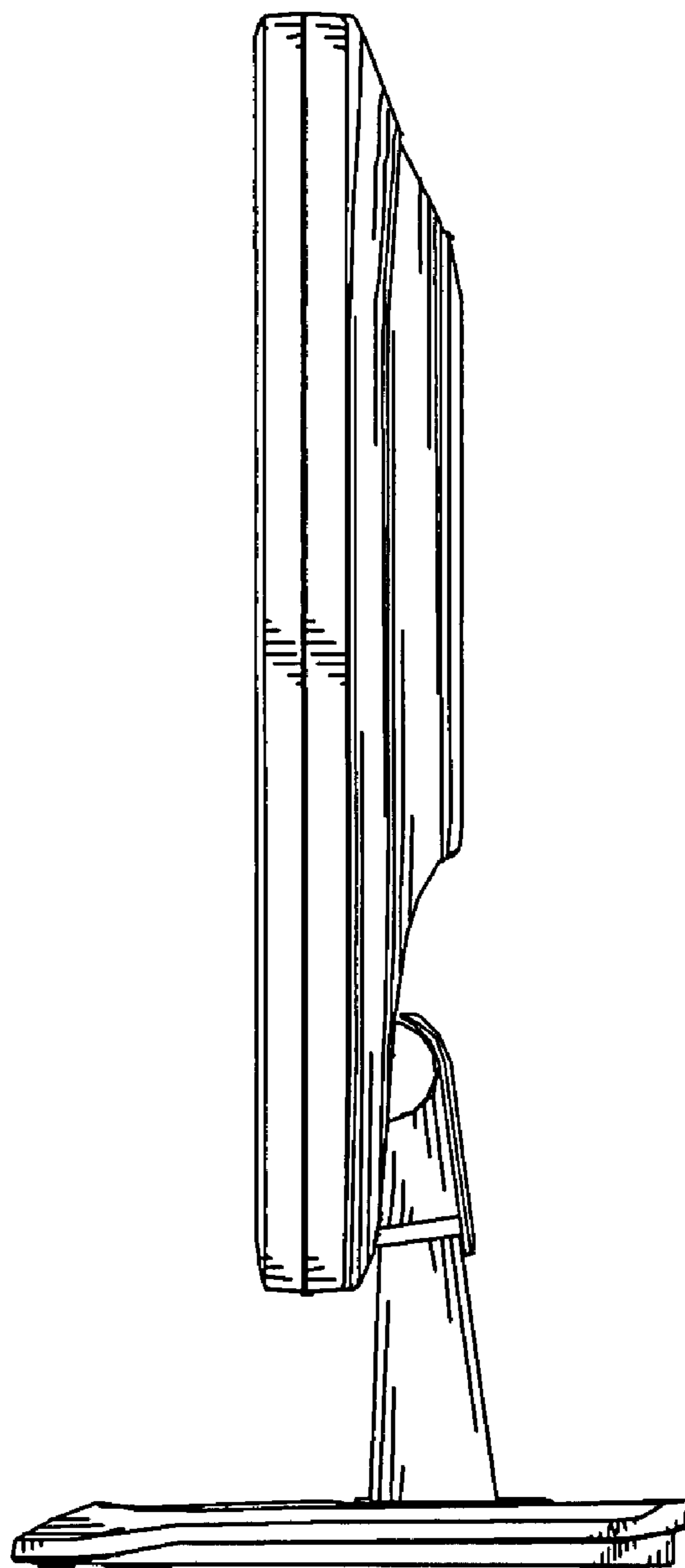


FIG. 5

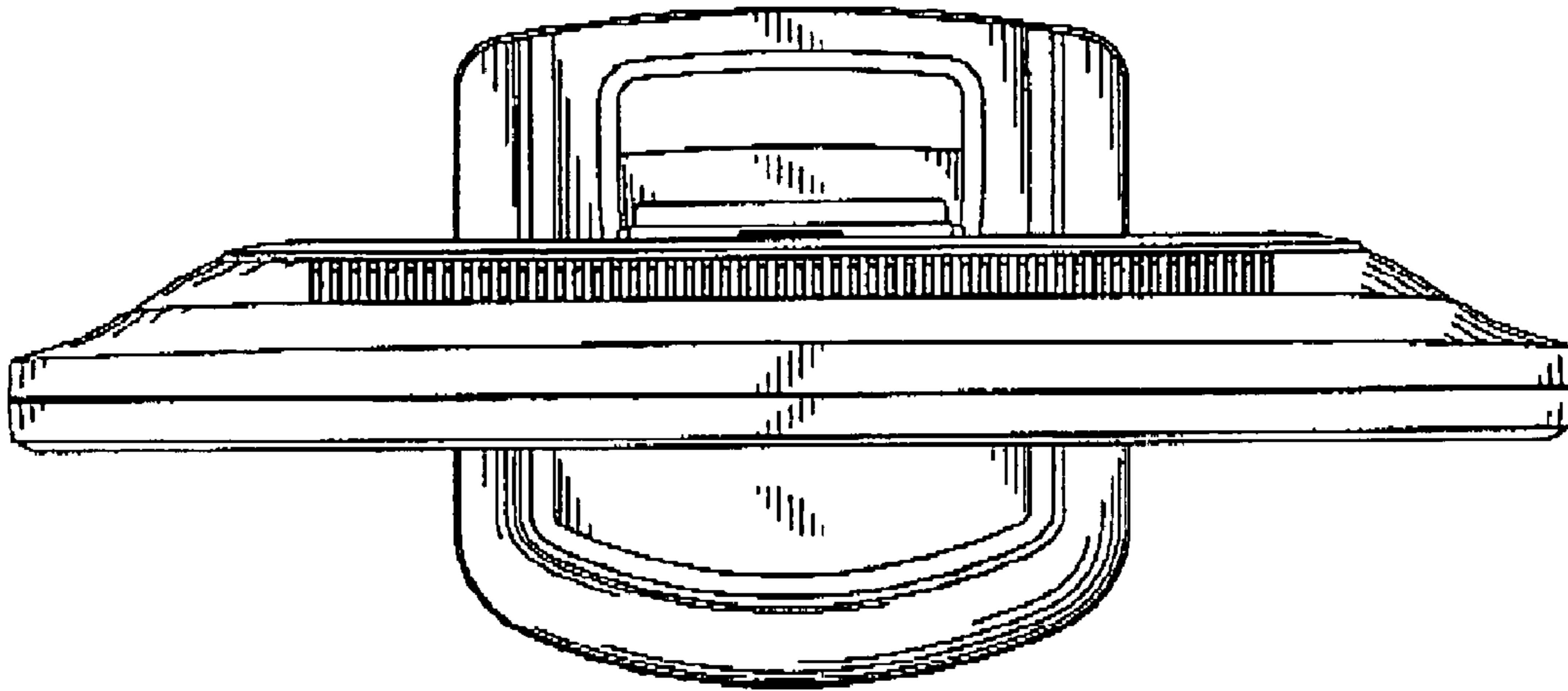


FIG. 6

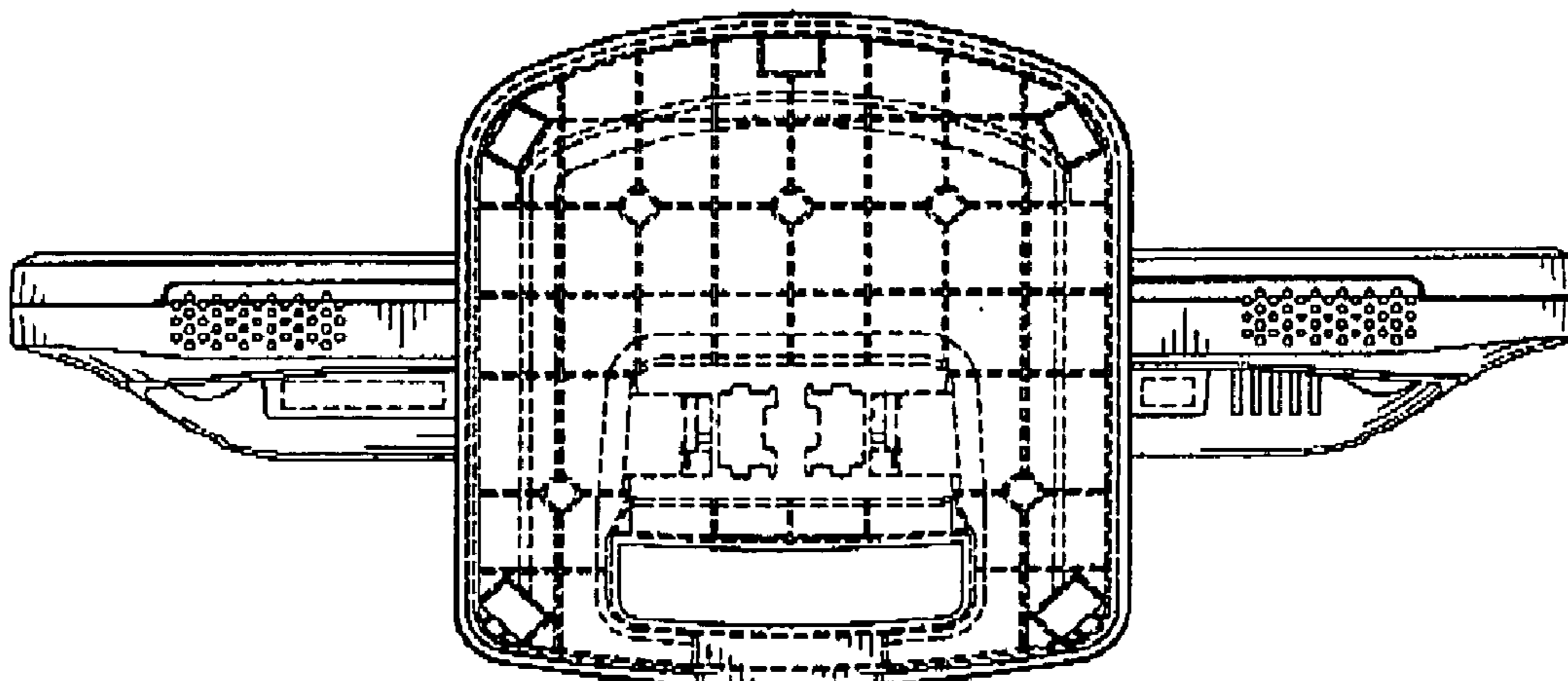


FIG. 7