

US00D593553S

(12) **United States Design Patent**  
**Okamoto et al.**

(10) **Patent No.:** **US D593,553 S**  
(45) **Date of Patent:** **\*\* Jun. 2, 2009**

(54) **ELECTRONIC BOOK**

(75) Inventors: **Tomoyuki Okamoto**, Kasugai (JP);  
**Koichi Kondo**, Nissin (JP); **Mitsuo**  
**Hirota**, Toyoake (JP); **Sakiko**  
**Kobayashi**, Nagoya (JP)

(73) Assignee: **Brother Industries, Ltd.**, Nagoya (JP)

(\*\*) Term: **14 Years**

(21) Appl. No.: **29/327,868**

(22) Filed: **Nov. 14, 2008**

(30) **Foreign Application Priority Data**

May 16, 2008 (JP) ..... 2008-012256

(51) **LOC (9) Cl.** ..... **14-02**

(52) **U.S. Cl.** ..... **D14/341**

(58) **Field of Classification Search** ..... D14/496,  
D14/401, 435, 474, 483, 217, 137, 138, 160,  
D14/168, 203.1–203.8, 341–347, 138 R,  
D14/138 C, 138 G, 454, 439, 455, 456, 192,  
D14/239, 247, 315, 327, 331, 336, 338, 339,  
D14/374, 393, 394, 399, 400, 429, 432, 125,  
D14/126, 129, 130, 314; D21/324, 329,  
D21/330, 331, 333; D18/7; D10/32, 65;  
455/556.1, 556.2, 11.1, 773, 344–347, 93,  
455/95; 379/433.01, 433.07, 433.1, 433.11,  
379/433.12, 433.13, 52; 345/169, 156, 173–179,  
345/905; 348/14.02, 790; 341/22; 361/680;  
273/148 B; 368/281; 715/727–729, 864;  
370/342–344; 369/1, 2, 6, 12; 463/43–47

See application file for complete search history.

(56) **References Cited**

**U.S. PATENT DOCUMENTS**

D270,063 S \* 8/1983 Ackeret ..... D6/308

D319,434 S \* 8/1991 Lund ..... D14/341  
D341,571 S \* 11/1993 Kazmi ..... D14/335  
D348,449 S \* 7/1994 Rodd et al. .... D14/374  
D348,661 S \* 7/1994 Hansen et al. .... D14/389  
D353,803 S \* 12/1994 Kuzumoto et al. .... D14/341  
D390,861 S \* 2/1998 Liao ..... D16/225  
D455,146 S \* 4/2002 Tsuboi ..... D14/337  
D461,802 S \* 8/2002 Tu ..... D14/341  
D471,195 S \* 3/2003 Lin ..... D14/375  
D481,728 S \* 11/2003 Olson et al. .... D14/375  
D491,176 S \* 6/2004 Shimano et al. .... D14/318  
D506,195 S 6/2005 Leveridge et al.  
D514,558 S 2/2006 Nagel et al.  
D561,126 S \* 2/2008 Hoehn ..... D14/126

**FOREIGN PATENT DOCUMENTS**

JP D1334297 S 6/2008

\* cited by examiner

*Primary Examiner*—Cathron C Brooks

*Assistant Examiner*—Barbara Fox

(74) *Attorney, Agent, or Firm*—Oliff & Berridge, PLC

(57) **CLAIM**

The ornamental design for an electronic book, as shown and described.

**DESCRIPTION**

FIG. 1 is a top perspective view of an electronic book;

FIG. 2 is a bottom perspective view thereof;

FIG. 3 is a top view thereof;

FIG. 4 is a front view thereof;

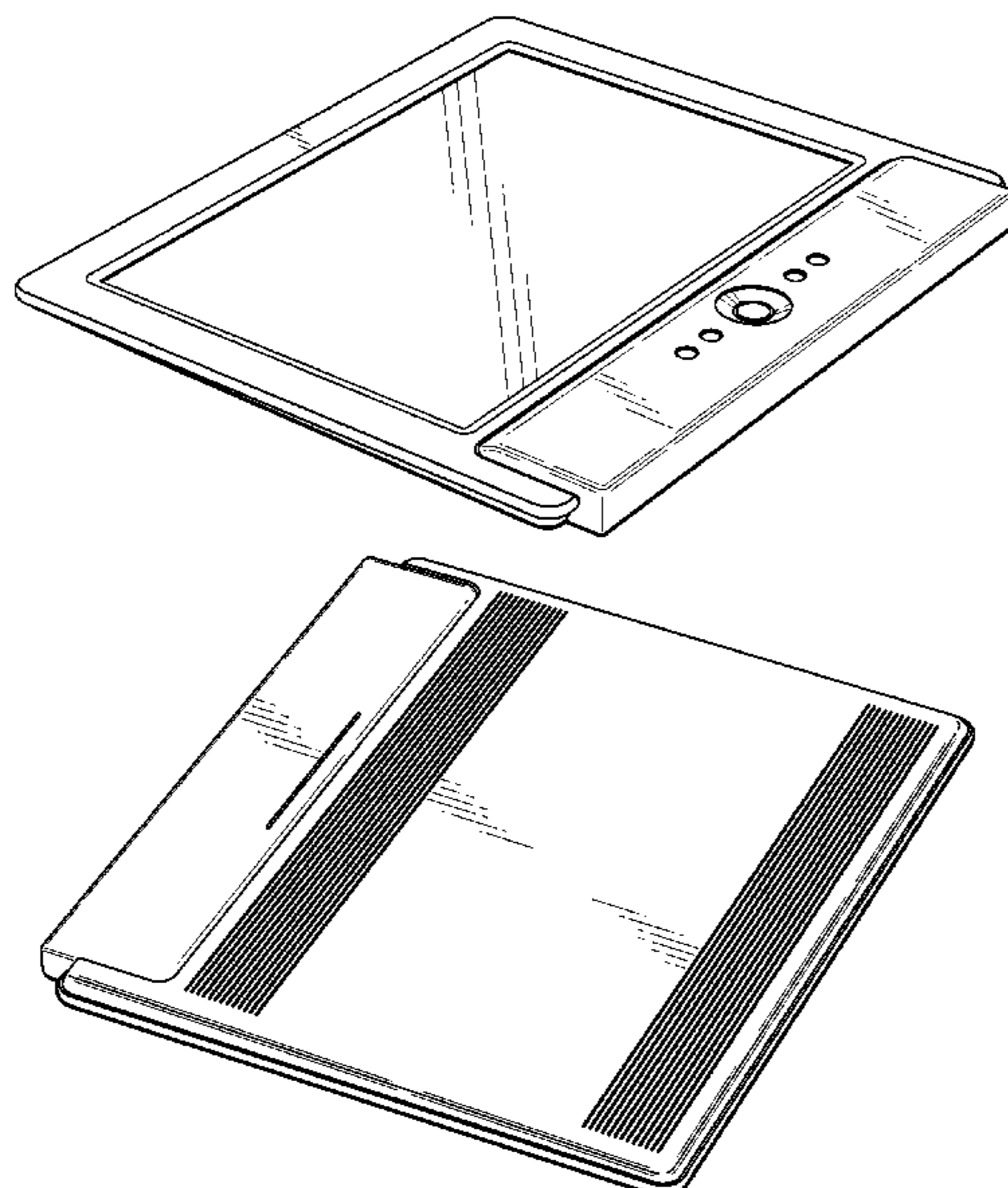
FIG. 5 is a rear view thereof;

FIG. 6 is a right-side view thereof;

FIG. 7 is a left-side view thereof; and,

FIG. 8 is a bottom view thereof.

**1 Claim, 5 Drawing Sheets**



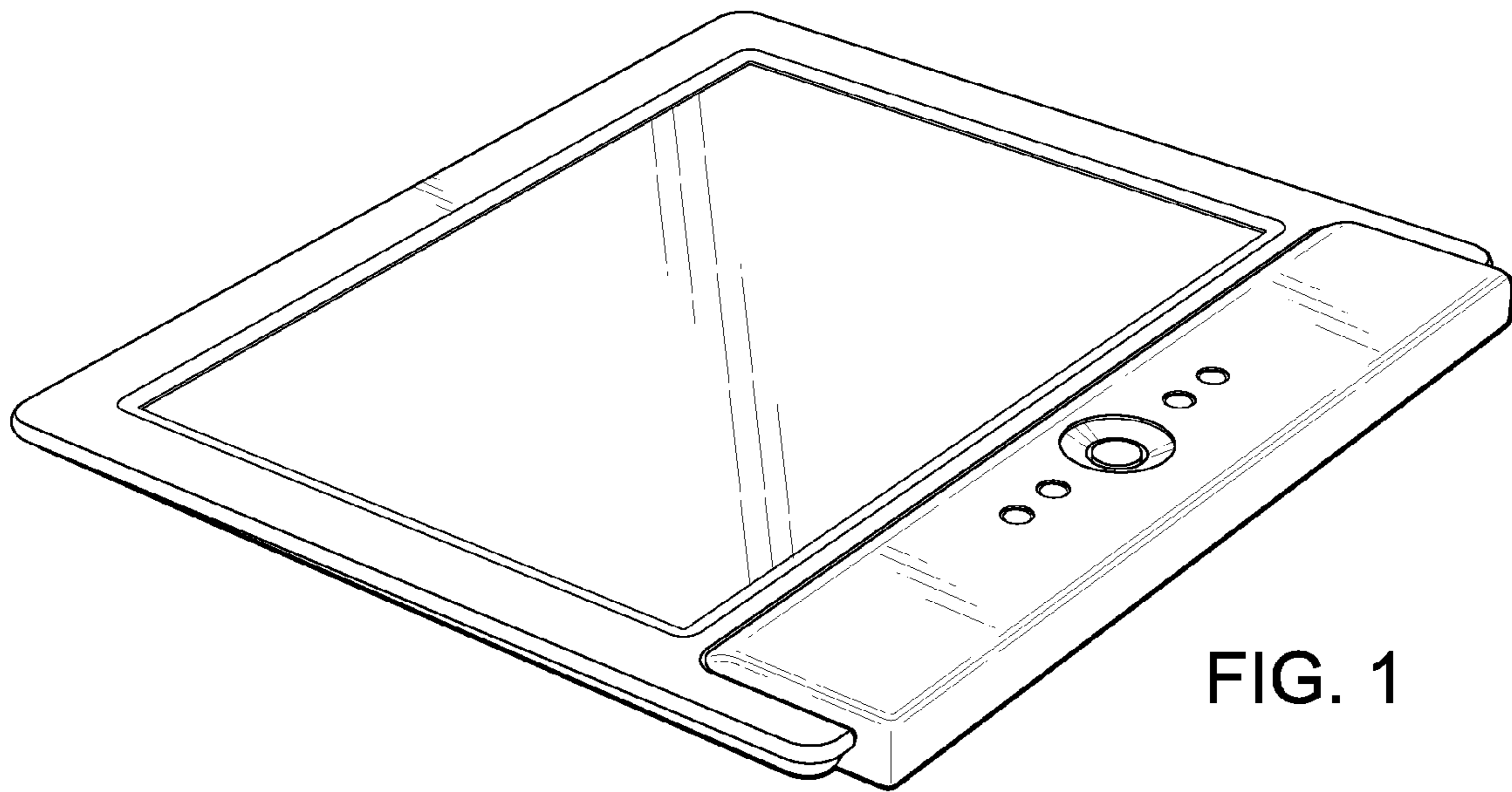


FIG. 1

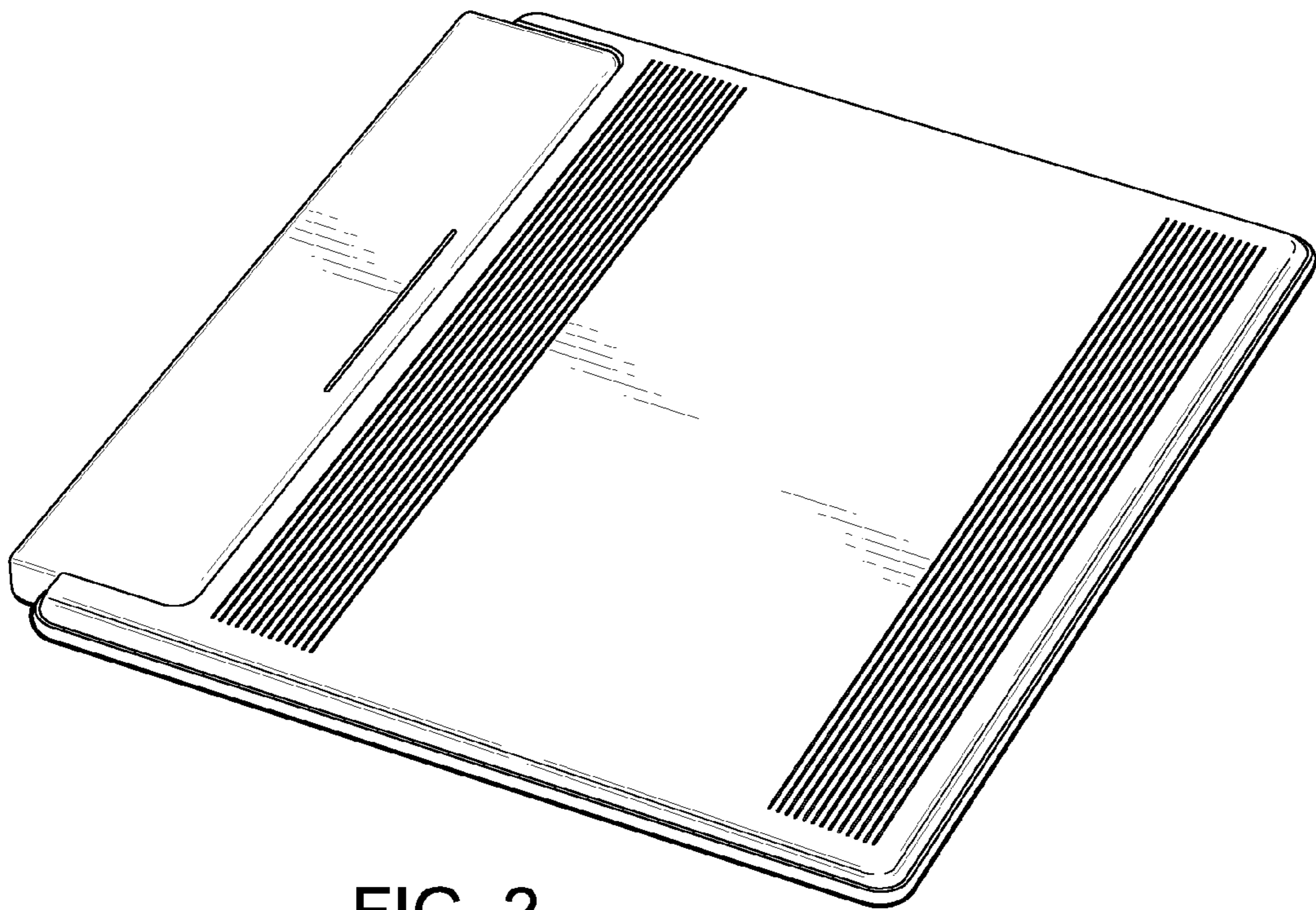


FIG. 2

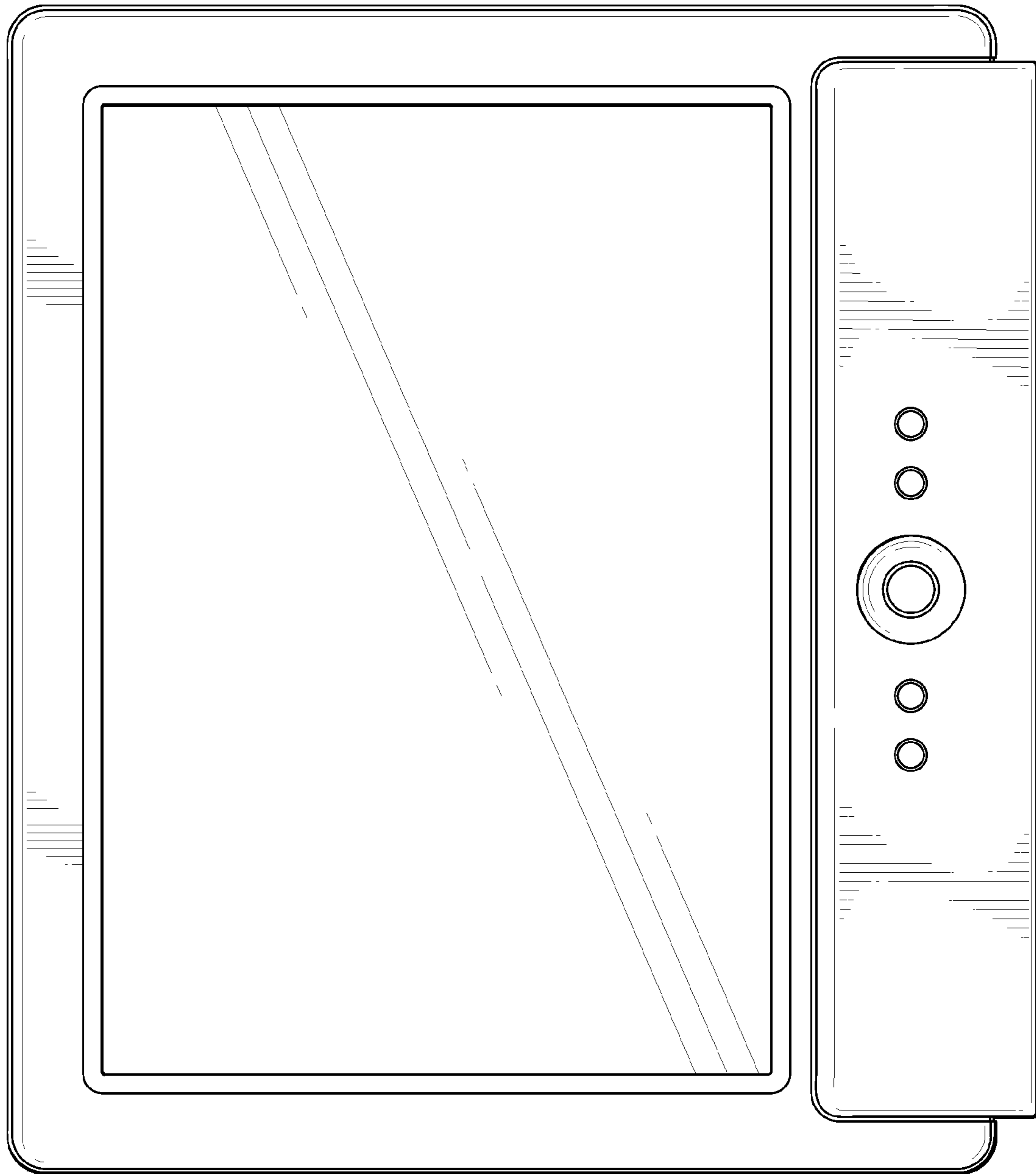


FIG. 3

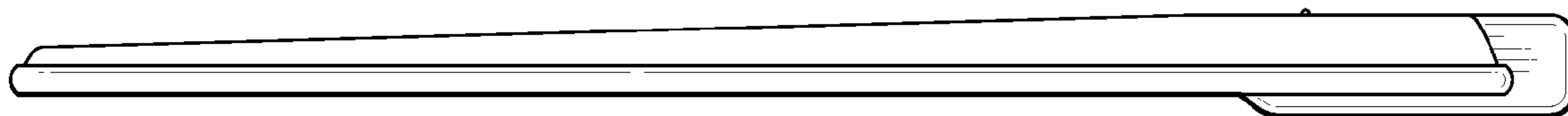


FIG. 4

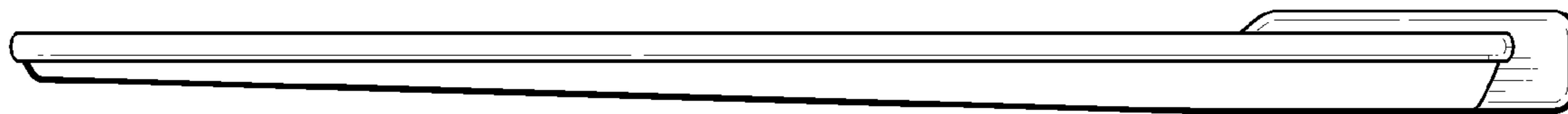


FIG. 5

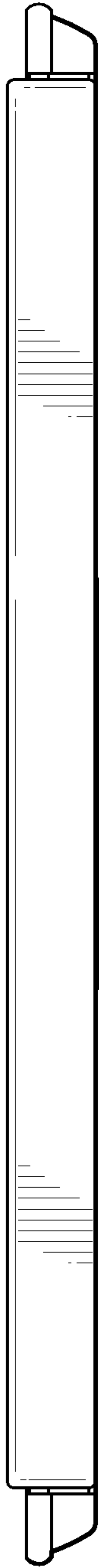


FIG. 6

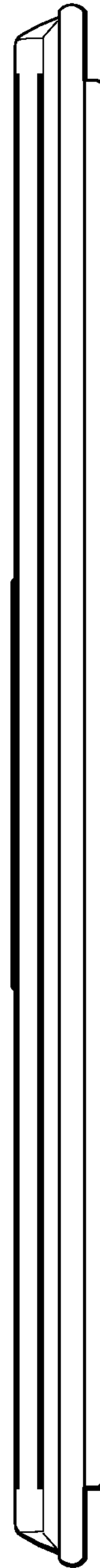


FIG. 7

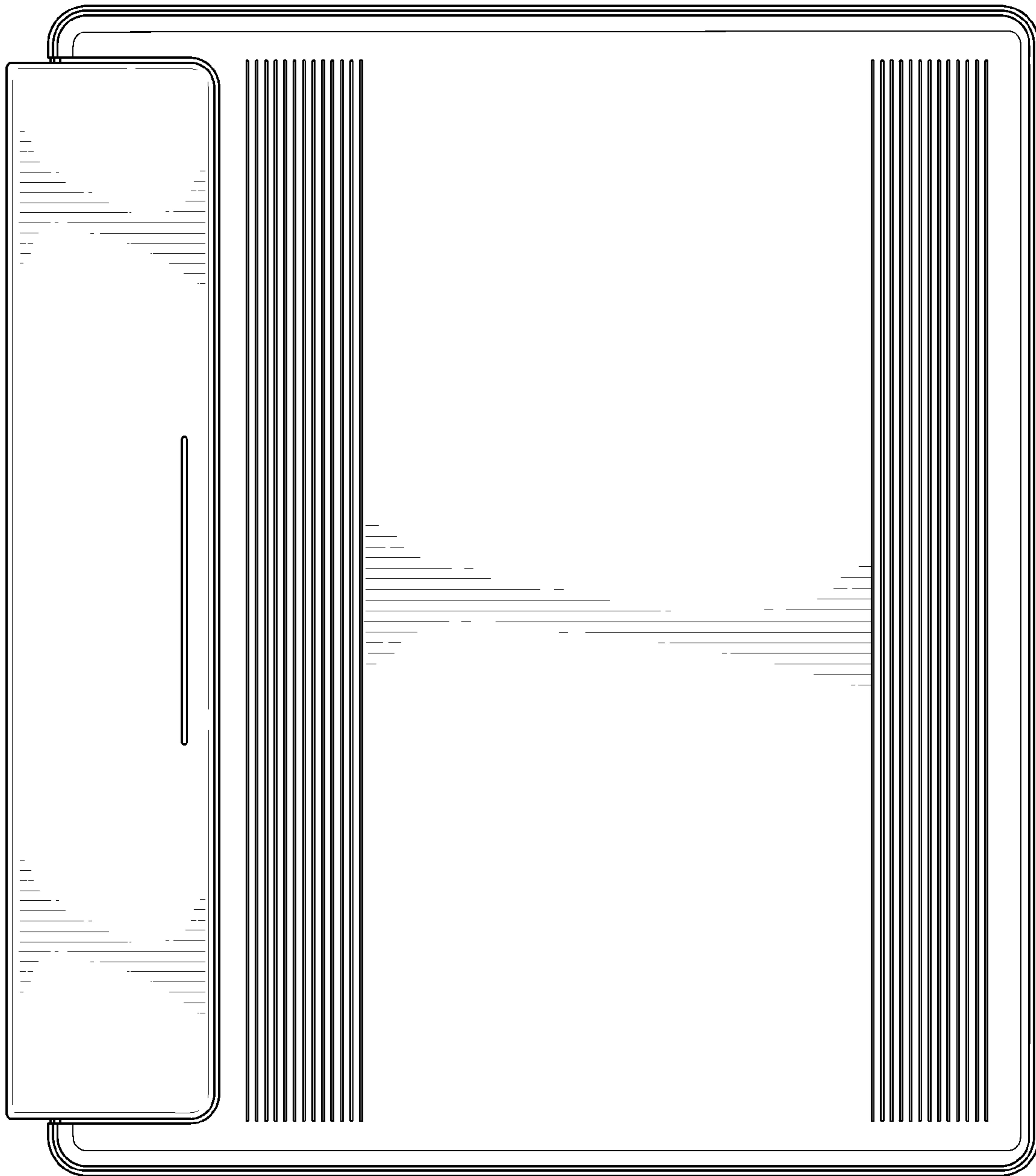


FIG. 8