

US00D593547S

(12) **United States Design Patent**
Kim et al.

(10) **Patent No.:** **US D593,547 S**
(45) **Date of Patent:** **** Jun. 2, 2009**

(54) **BLUETOOTH HEADSET**

(75) Inventors: **Jin-Nam Kim**, Seoul (KR); **Chol-Ho Hwang**, Suwon-si (KR); **Gee-Hong Yoon**, Seongnam-si (KR)

(73) Assignee: **Samsung Electronics Co., Ltd.**, Suwon-Si (KR)

(**) Term: **14 Years**

(21) Appl. No.: **29/323,729**

(22) Filed: **Aug. 29, 2008**

(30) **Foreign Application Priority Data**

May 27, 2008 (KR) 30-2008-0022350

(51) **LOC (9) Cl.** **14-01**

(52) **U.S. Cl.** **D14/223**

(58) **Field of Classification Search** D14/155, D14/188, 191, 192, 496, 205, 206, 223; D24/173, D24/174; 181/129, 130; 379/430, 433.01, 379/433.02, 433.03, 433.06, 420.01, 420.02, 379/420.03; 381/370, 380, 375, 376, 328; 455/90.3

See application file for complete search history.

(56) **References Cited**

U.S. PATENT DOCUMENTS

3,197,577 A * 7/1965 Kuklock 381/328
3,270,146 A * 8/1966 Eberhard et al. 381/324
D280,896 S * 10/1985 Campbell et al. D14/155

D297,007 S * 8/1988 Pushelberg D14/496
D316,550 S * 4/1991 Sogabe D14/168
6,256,386 B1 * 7/2001 Phillips 379/430
D471,898 S * 3/2003 Bae D14/223
7,062,057 B2 * 6/2006 Wu 381/323
D537,438 S * 2/2007 Hermansen D14/223
D559,836 S * 1/2008 Lee D14/223
D561,783 S * 2/2008 Schmelling D14/496
D565,023 S * 3/2008 Yamagishi D14/205
D566,696 S * 4/2008 Schmelling D14/223

* cited by examiner

Primary Examiner—Paula Greene

(74) *Attorney, Agent, or Firm*—Staas & Halsey LLP

(57) **CLAIM**

The ornamental design for a Bluetooth headset, as shown and described.

DESCRIPTION

FIG. 1 is a front perspective view of a Bluetooth headset showing our new design;

FIG. 2 is a front view of the Bluetooth headset of FIG. 1;

FIG. 3 is a rear view of the Bluetooth headset of FIG. 1;

FIG. 4 is a left-side view of the Bluetooth headset of FIG. 1;

FIG. 5 is a right-side view of the Bluetooth headset of FIG. 1;

FIG. 6 is a top plan view of the Bluetooth headset of FIG. 1; and,

FIG. 7 is a bottom plan view of the Bluetooth headset of FIG. 1.

1 Claim, 4 Drawing Sheets

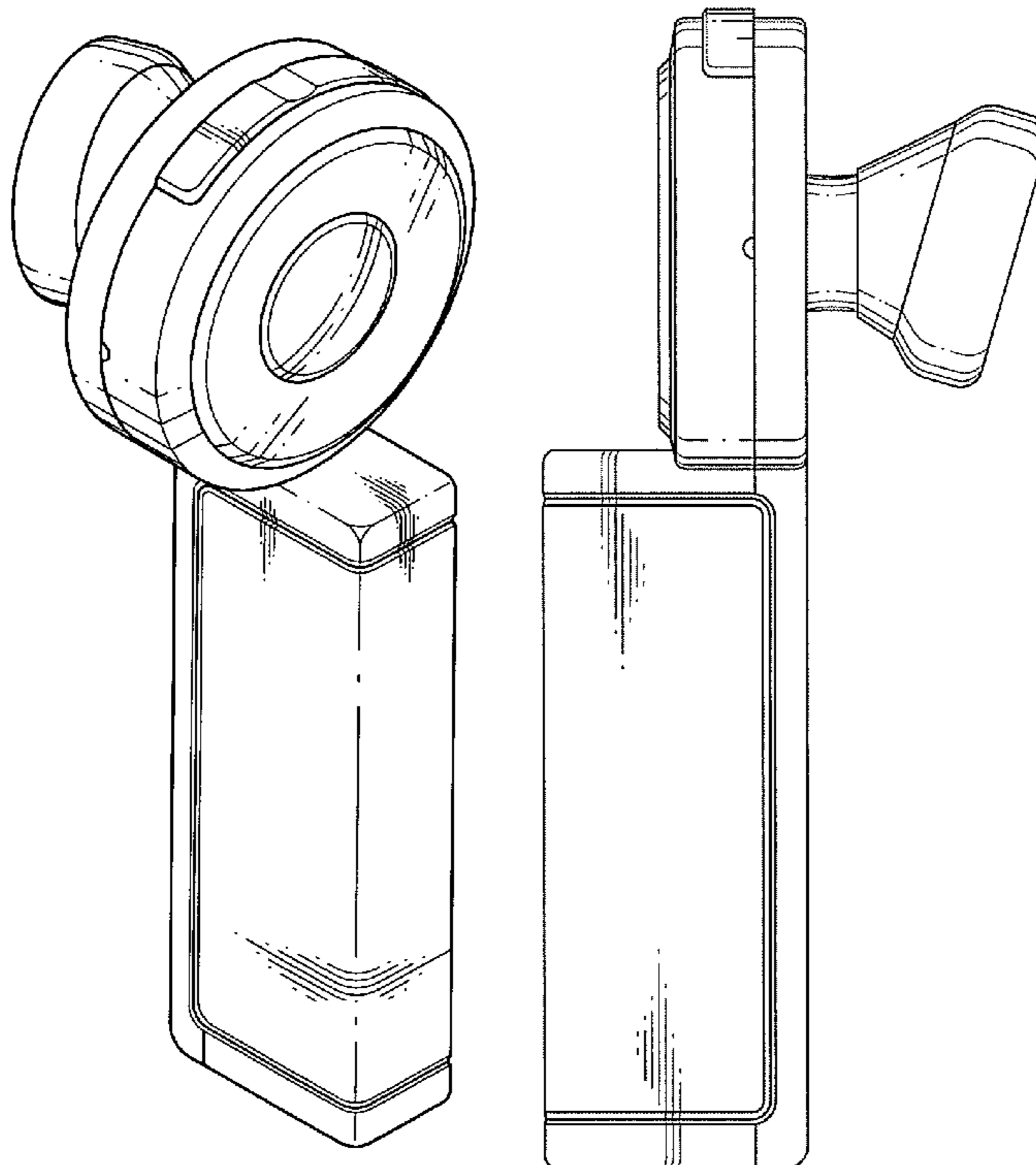


FIG. 1

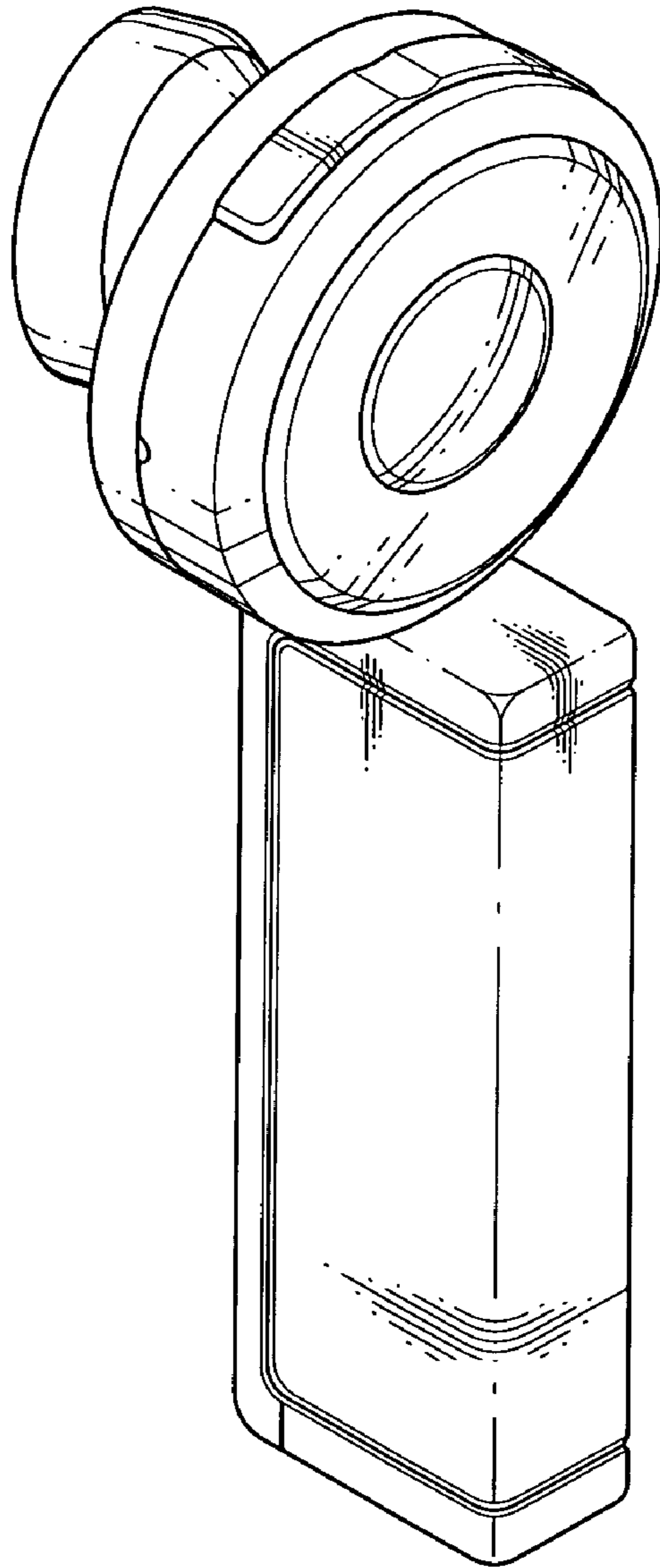


FIG.2

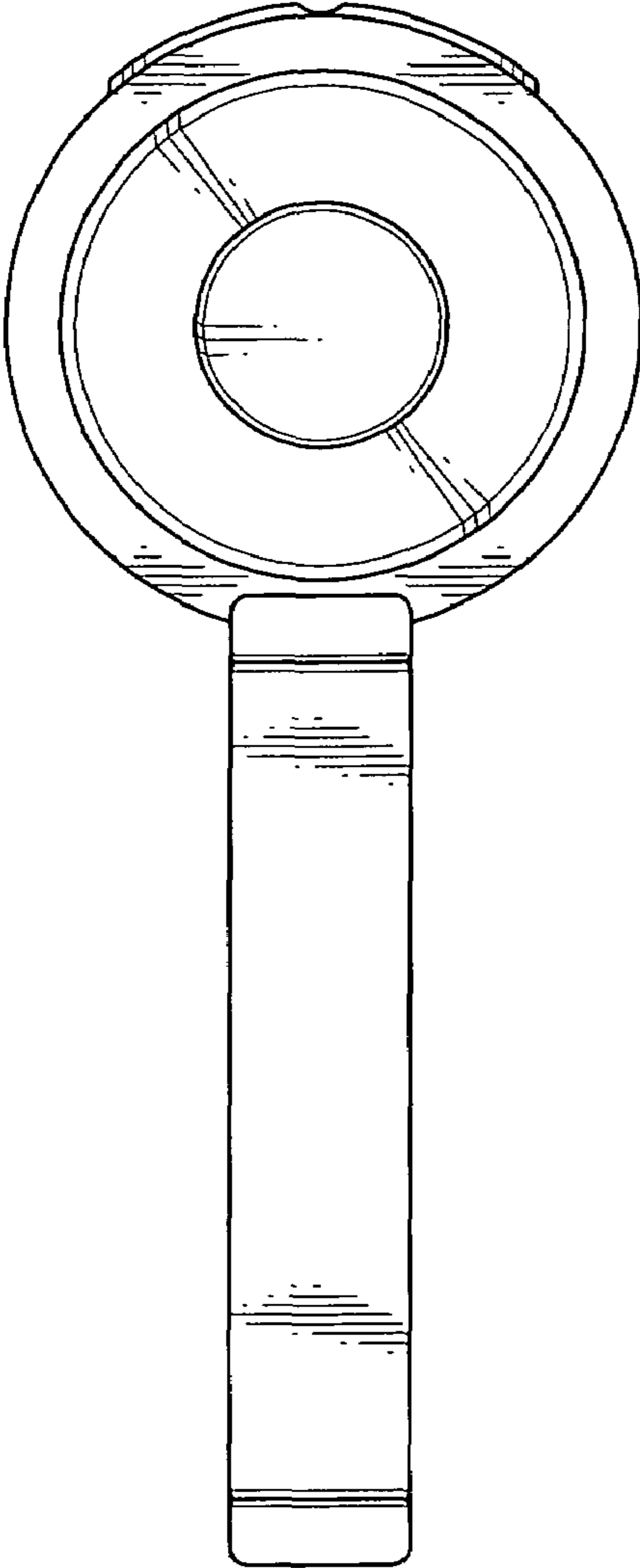


FIG.3

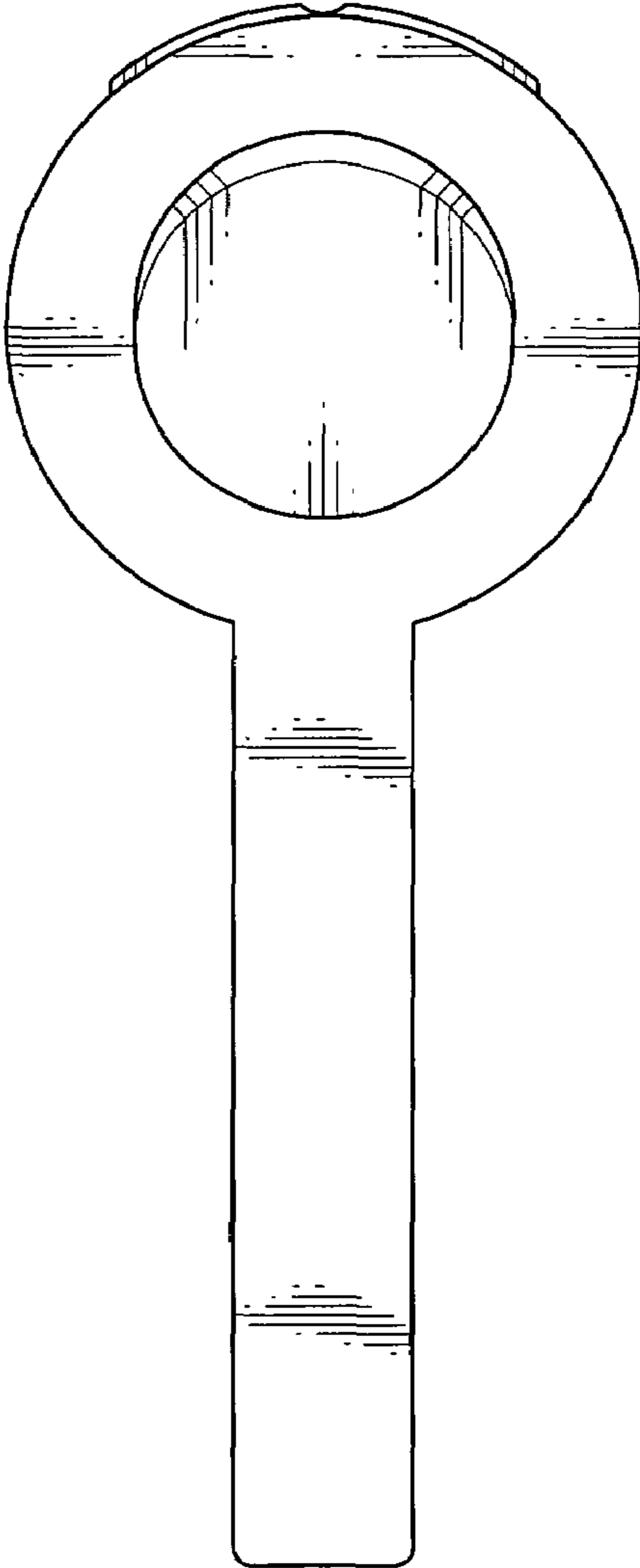


FIG. 4

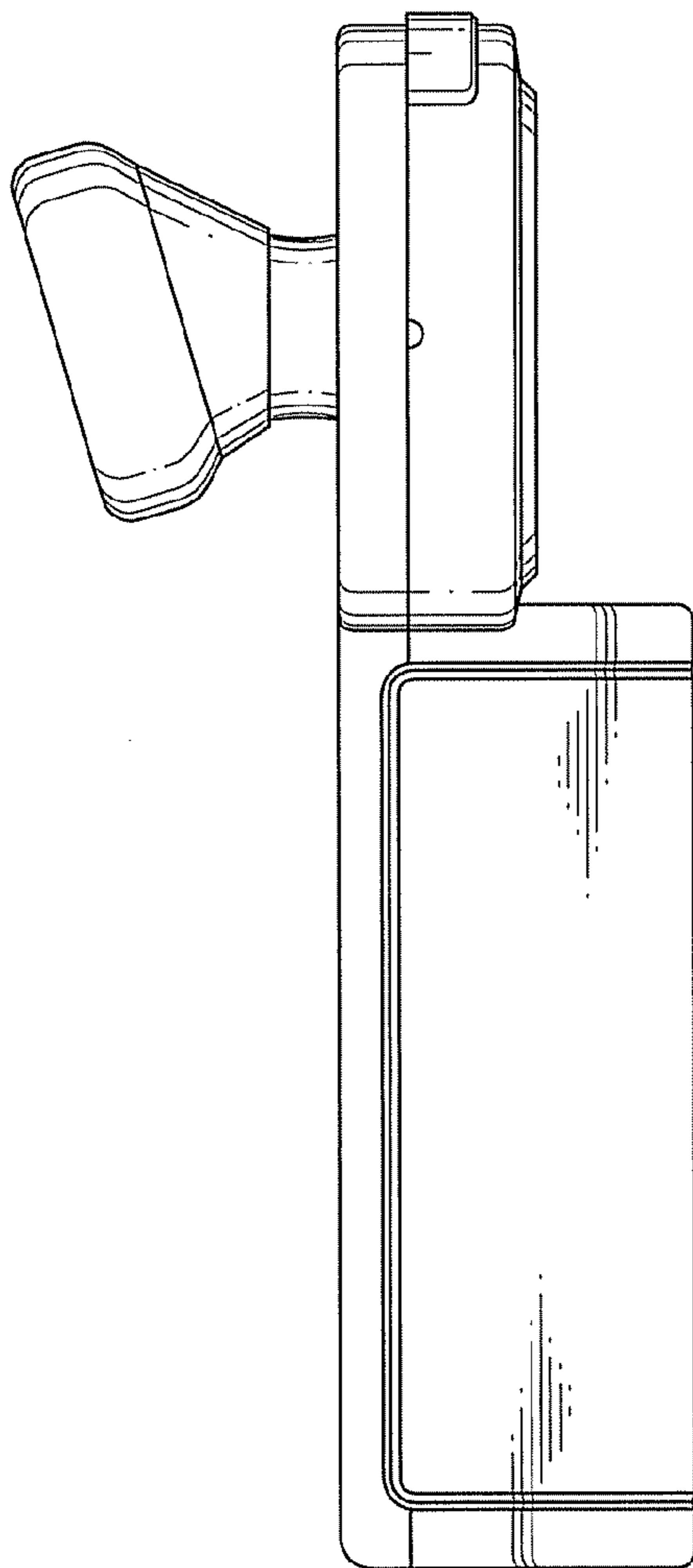


FIG. 5

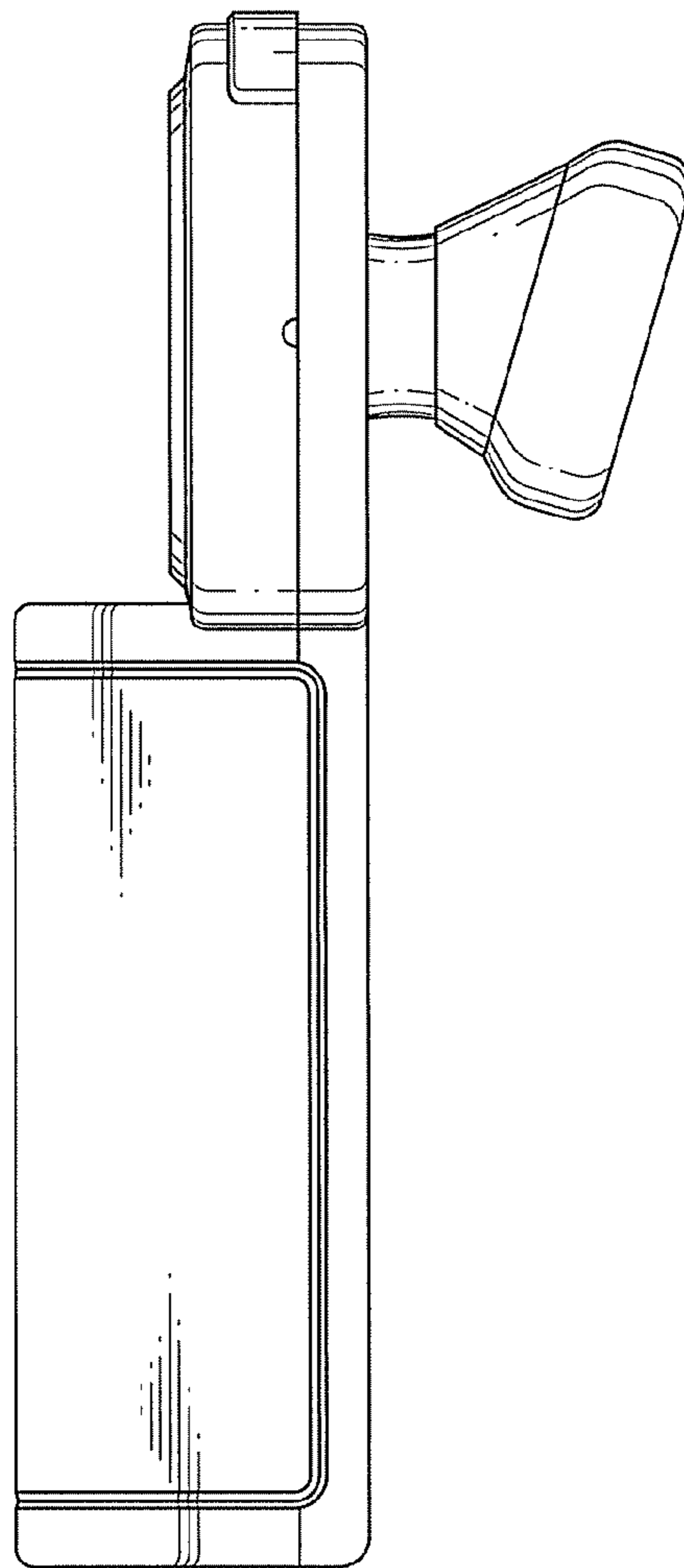


FIG. 6

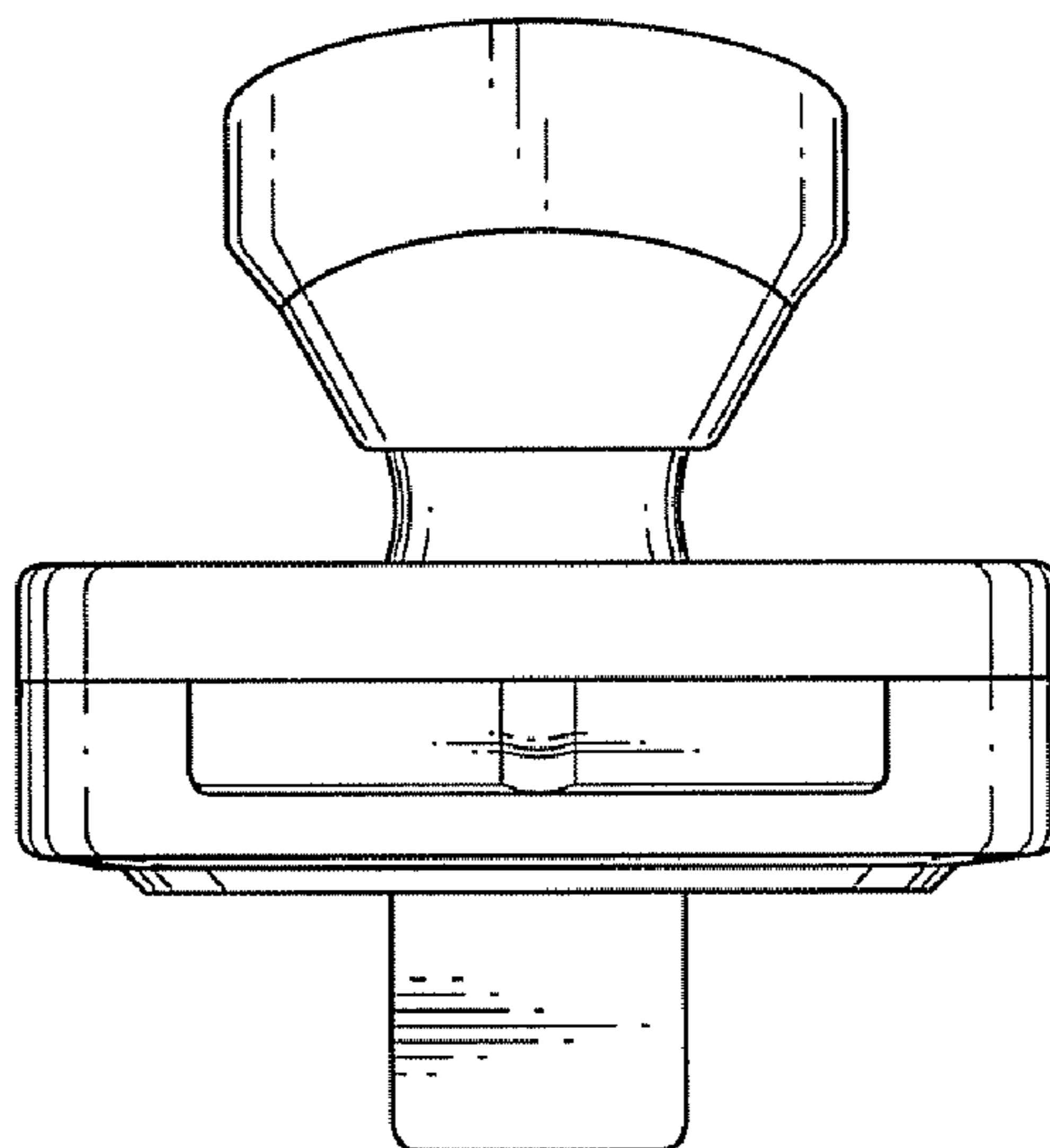


FIG. 7

