



US00D593545S

(12) **United States Design Patent**  
**Jackson**

(10) **Patent No.:** **US D593,545 S**

(45) **Date of Patent:** **\*\* Jun. 2, 2009**

(54) **REMOTE CONTROL CASE**

(76) Inventor: **Bryon U. Jackson**, 145 Clinton Pl., #7A,  
Hackensack, NJ (US) 07601

(\*\*) Term: **14 Years**

(21) Appl. No.: **29/285,703**

(22) Filed: **Apr. 6, 2007**

**Related U.S. Application Data**

(63) Continuation-in-part of application No. 10/939,449,  
filed on Mar. 11, 2005, now abandoned.

(51) **LOC (9) Cl.** ..... **14-03**

(52) **U.S. Cl.** ..... **D14/218; D6/468**

(58) **Field of Classification Search** ..... D14/218;  
D13/168; D6/449, 396, 459, 466, 467, 468,  
D6/473, 474, 476, 630; D19/85; 211/26.1  
See application file for complete search history.

(56) **References Cited**

**U.S. PATENT DOCUMENTS**

- D104,126 S \* 4/1937 Weislander ..... D6/437
- D173,602 S \* 12/1954 Armstrong ..... D6/468
- D176,629 S \* 1/1956 Palm ..... D6/473
- D273,546 S \* 4/1984 Ogg et al. .... D6/468

- 4,991,817 A \* 2/1991 VonKleist et al. .... 248/676
- 5,042,670 A \* 8/1991 Timberlake ..... 211/26.1
- 5,244,173 A \* 9/1993 Kulyk ..... 248/176.1
- D349,204 S \* 8/1994 Lefebvre ..... D6/476
- D360,780 S \* 8/1995 Kennedy, Jr. .... D6/449
- 6,525,268 B1 \* 2/2003 Sellers ..... 174/561
- D486,010 S \* 2/2004 Scola ..... D6/468
- D486,011 S \* 2/2004 Scola ..... D6/468
- D501,617 S \* 2/2005 Katz ..... D6/476

\* cited by examiner

*Primary Examiner*—T. Chase Nelson  
*Assistant Examiner*—John Windmuller

(57) **CLAIM**

The ornamental design for a remote control case, as shown and described.

**DESCRIPTION**

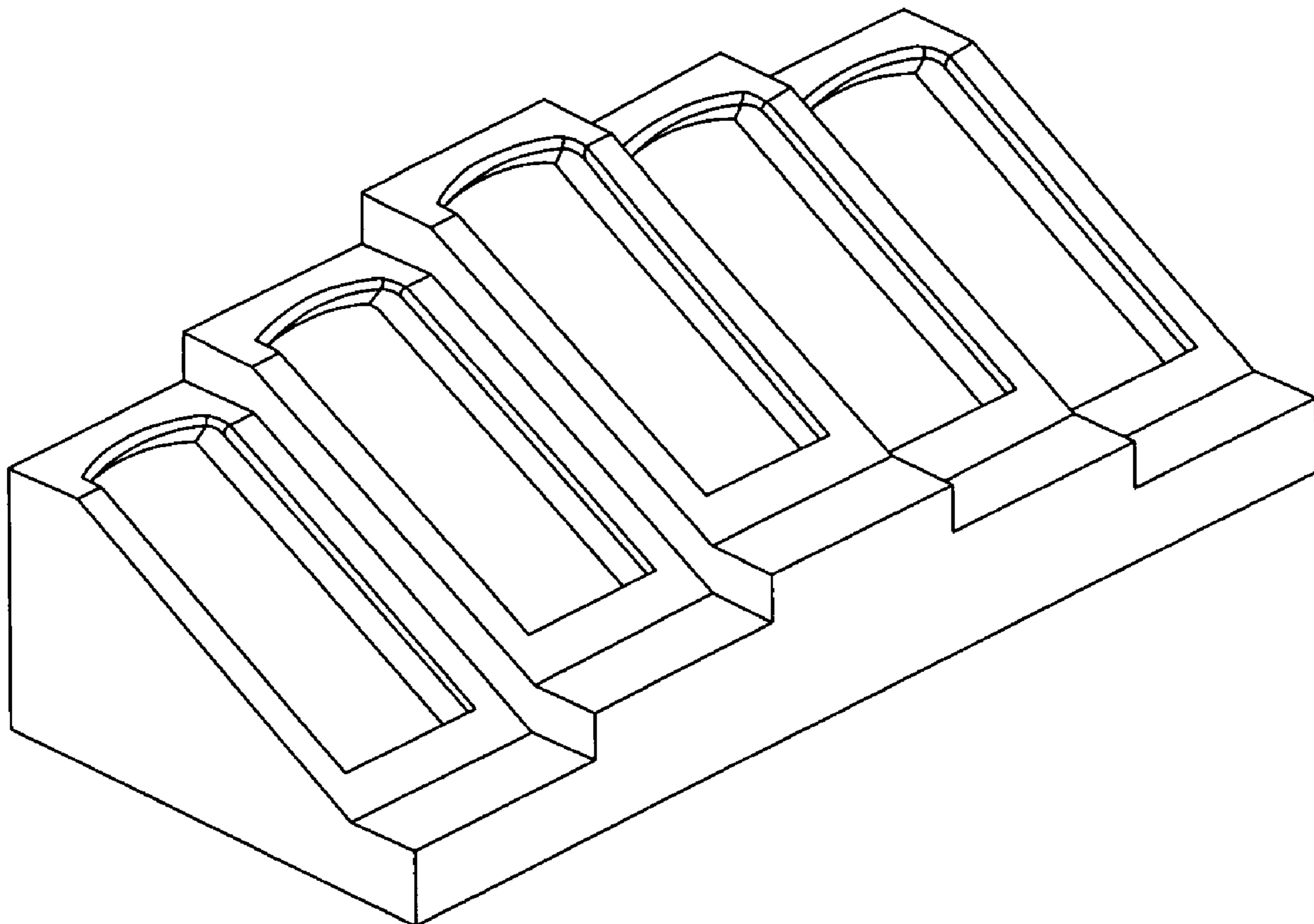
FIG. 1 is a perspective view of a new design for a remote control case according to my invention, illustrating the front and left view thereof;

FIG. 2 is a front elevation view of FIG. 1;

FIG. 3 is a top plan view of FIG. 1; and,

FIG. 4 is a left side view of FIG. 1.

**1 Claim, 4 Drawing Sheets**



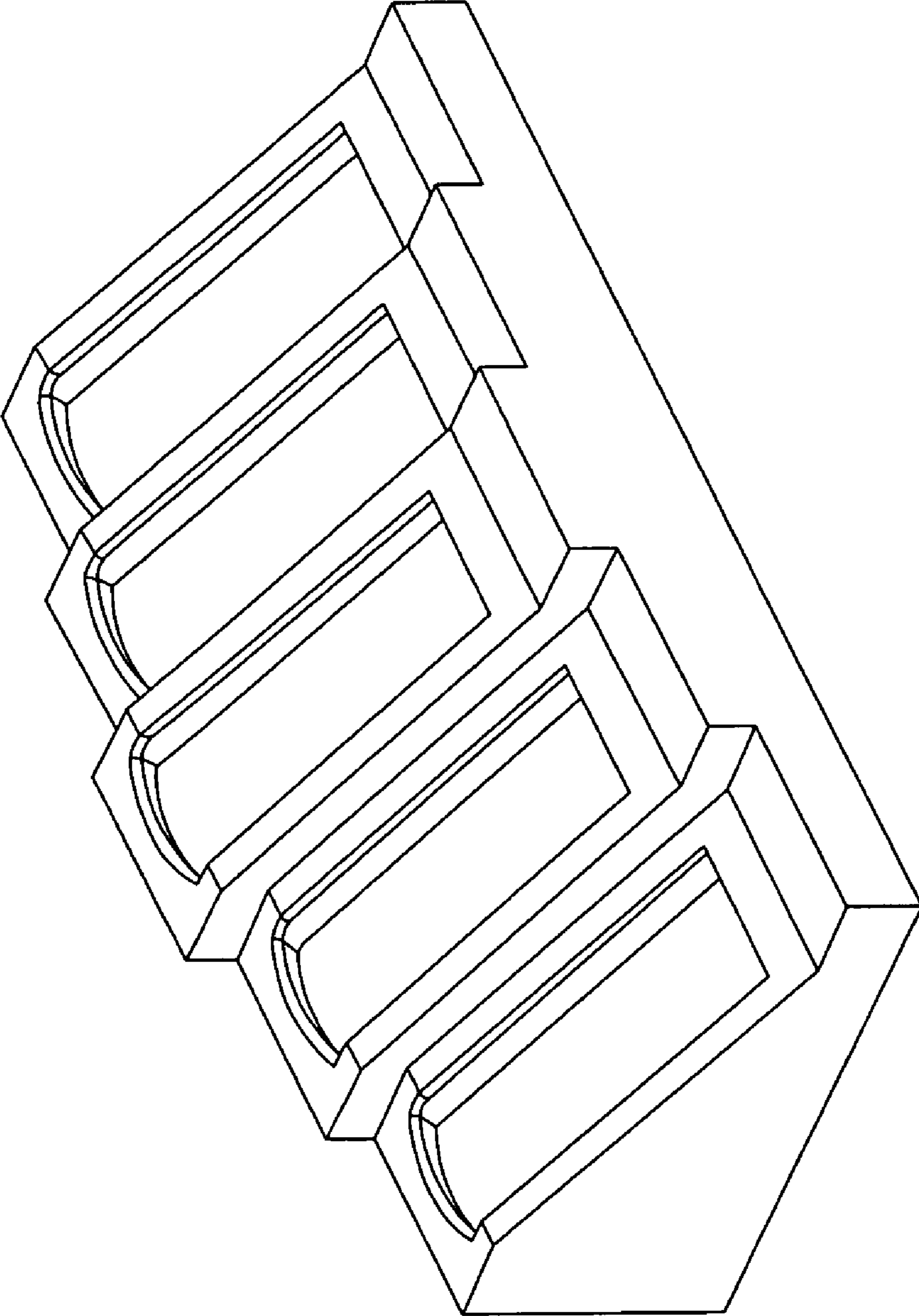


Fig. 1

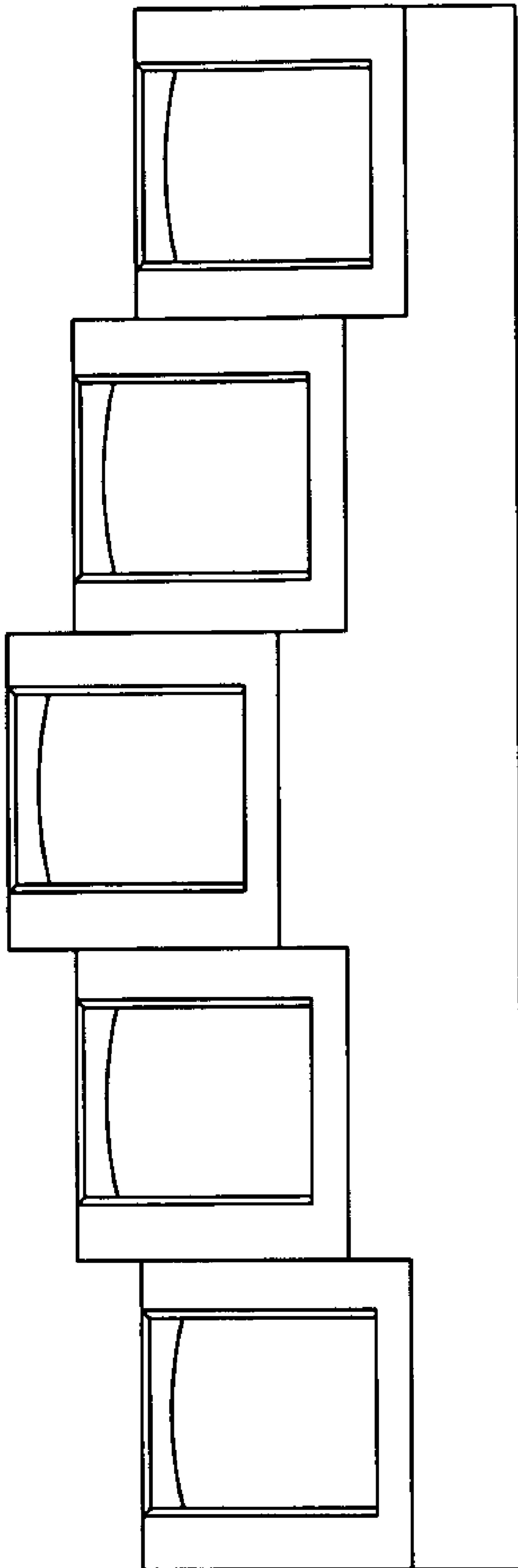


Fig. 2

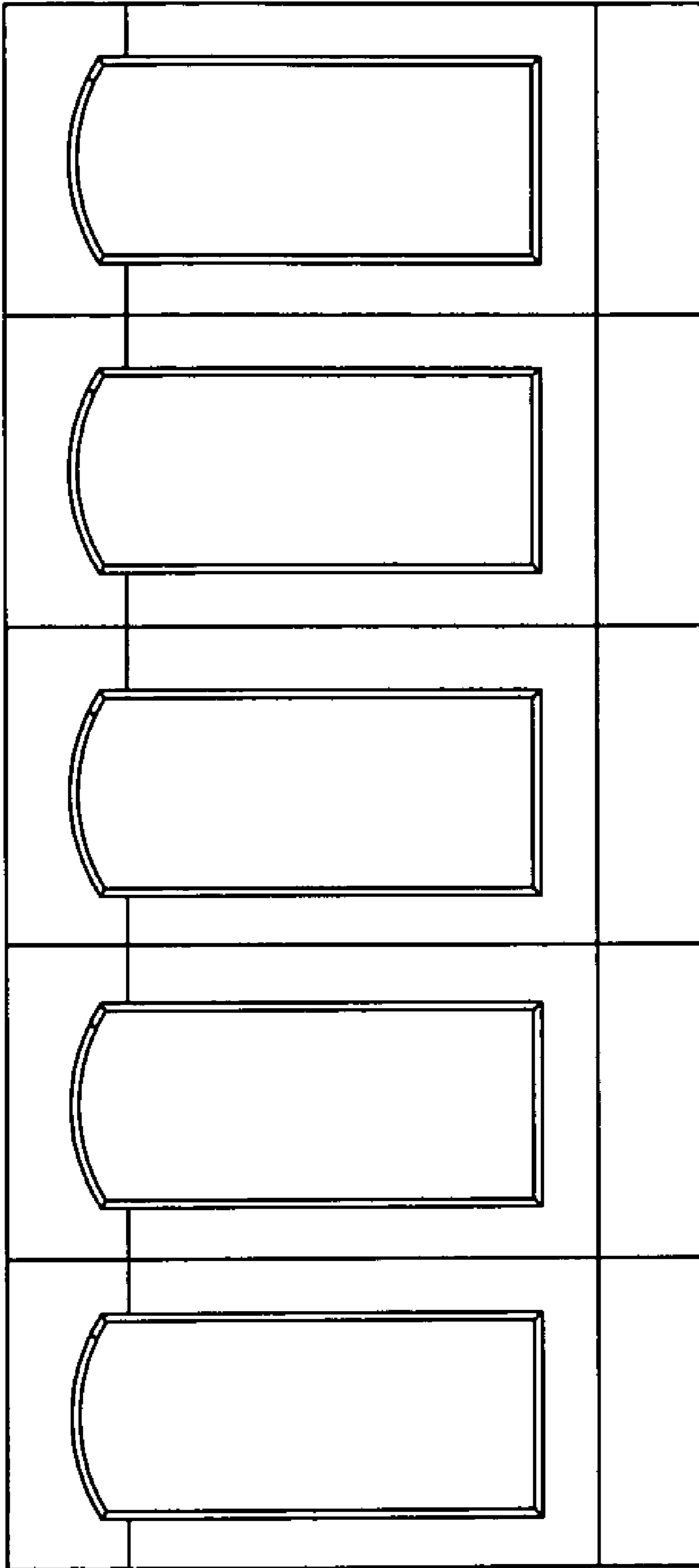


Fig. 3

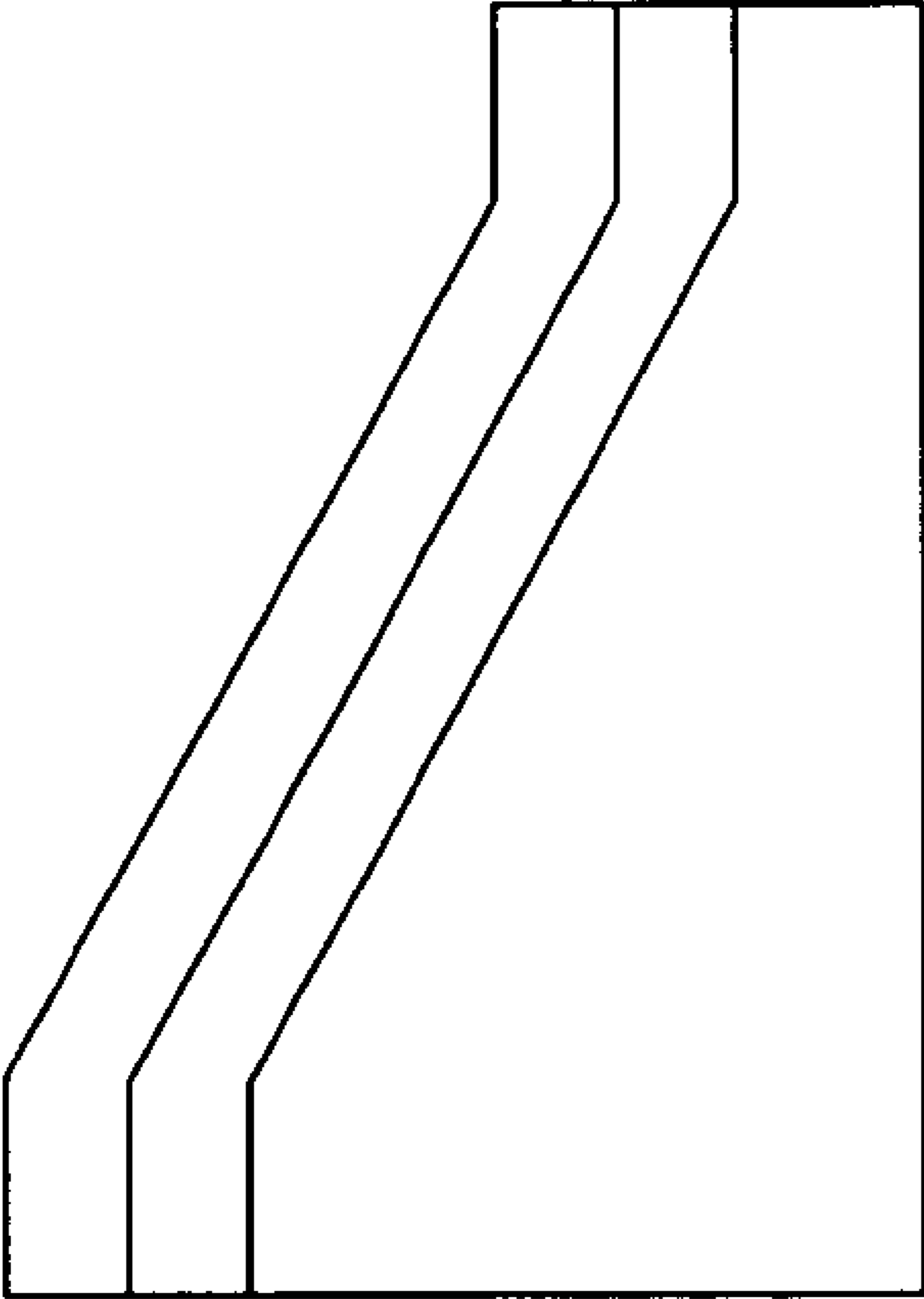


Fig. 4