



US00D593543S

(12) **United States Design Patent**
Lui

(10) **Patent No.:** **US D593,543 S**

(45) **Date of Patent:** **** Jun. 2, 2009**

(54) **WIRELESS SPEAKER**

(75) Inventor: **Wing Kit Lui**, Kowloon (HK)

(73) Assignee: **Eric Beare Associates Limited**,
Kowloon (HK)

(**) Term: **14 Years**

(21) Appl. No.: **29/318,171**

(22) Filed: **May 15, 2008**

(51) **LOC (9) Cl.** **14-01**

(52) **U.S. Cl.** **D14/216**

(58) **Field of Classification Search** D14/204,
D14/207, 210–216, 172, 168, 500; 181/143–144,
181/147–148, 150–153, 157, 198–199; 381/300–303,
381/306, 332–333, 336, 345, 361–364, 386–388
See application file for complete search history.

(56) **References Cited**

U.S. PATENT DOCUMENTS

| | | | | | | |
|-----------|---|---|---------|---------------|-------|---------|
| 4,953,223 | A | * | 8/1990 | Householder | | 381/387 |
| D466,887 | S | * | 12/2002 | Lewis | | D14/216 |
| D467,574 | S | * | 12/2002 | Suzuki et al. | | D14/216 |
| D487,737 | S | * | 3/2004 | Lewis | | D14/215 |

| | | | | | | |
|----------|---|---|---------|----------------|-------|---------|
| D510,926 | S | * | 10/2005 | Jerome | | D14/168 |
| D541,260 | S | * | 4/2007 | Christianson | | D14/215 |
| D552,084 | S | * | 10/2007 | Chapman et al. | | D14/216 |

* cited by examiner

Primary Examiner—Nanda Bondade

(57) **CLAIM**

The ornamental design for a wireless speaker, as shown.

DESCRIPTION

FIG. 1 is a front elevational view of a wireless speaker showing my new design;

FIG. 2 is a rear elevational view thereof;

FIG. 3 is a left side view thereof;

FIG. 4 is a right side view thereof;

FIG. 5 is a top plan view thereof;

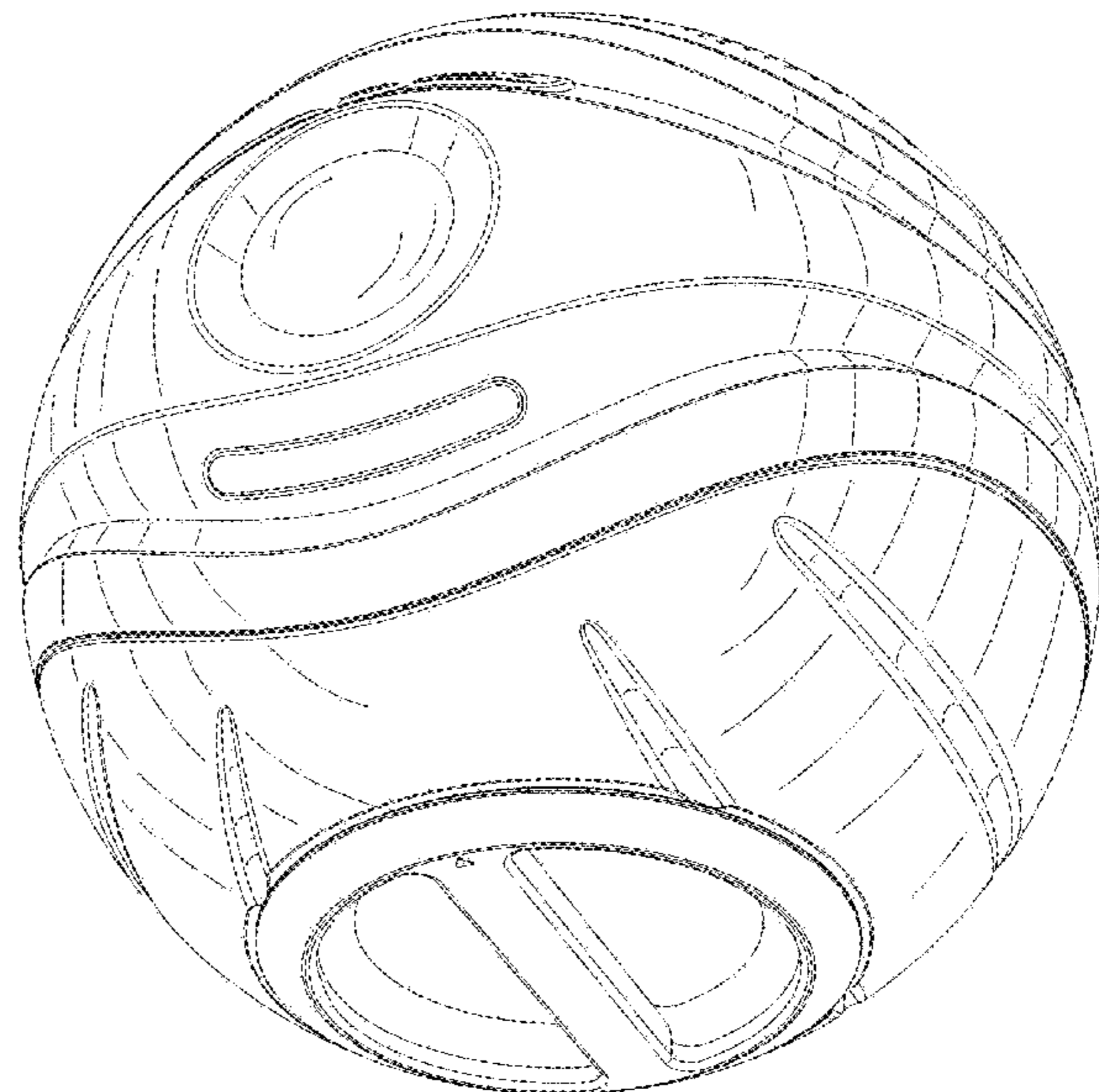
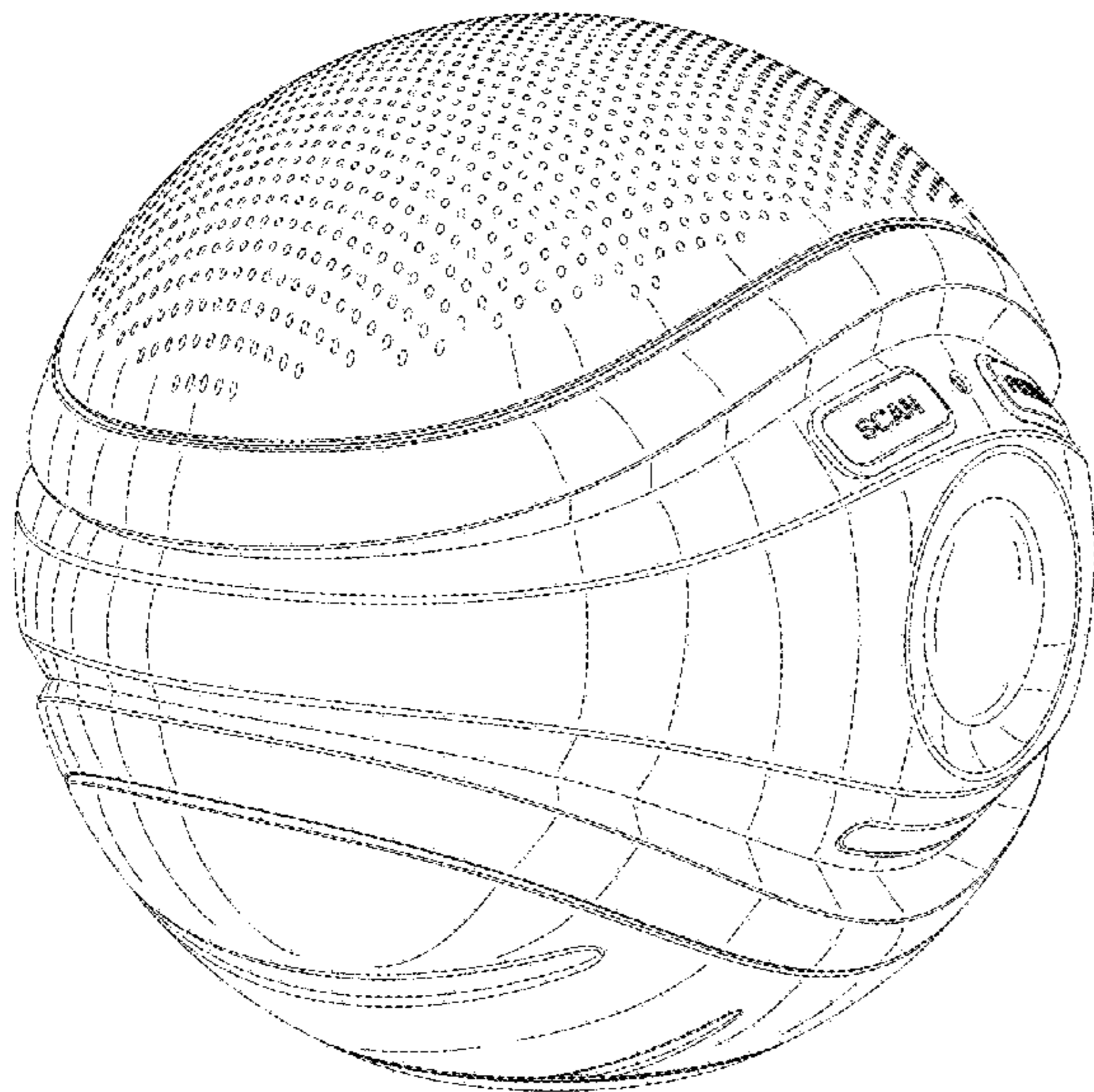
FIG. 6 is a bottom plan view thereof;

FIG. 7 is a top right perspective view thereof;

FIG. 8 is a top left perspective view thereof; and,

FIG. 9 is a bottom perspective view thereof.

1 Claim, 9 Drawing Sheets



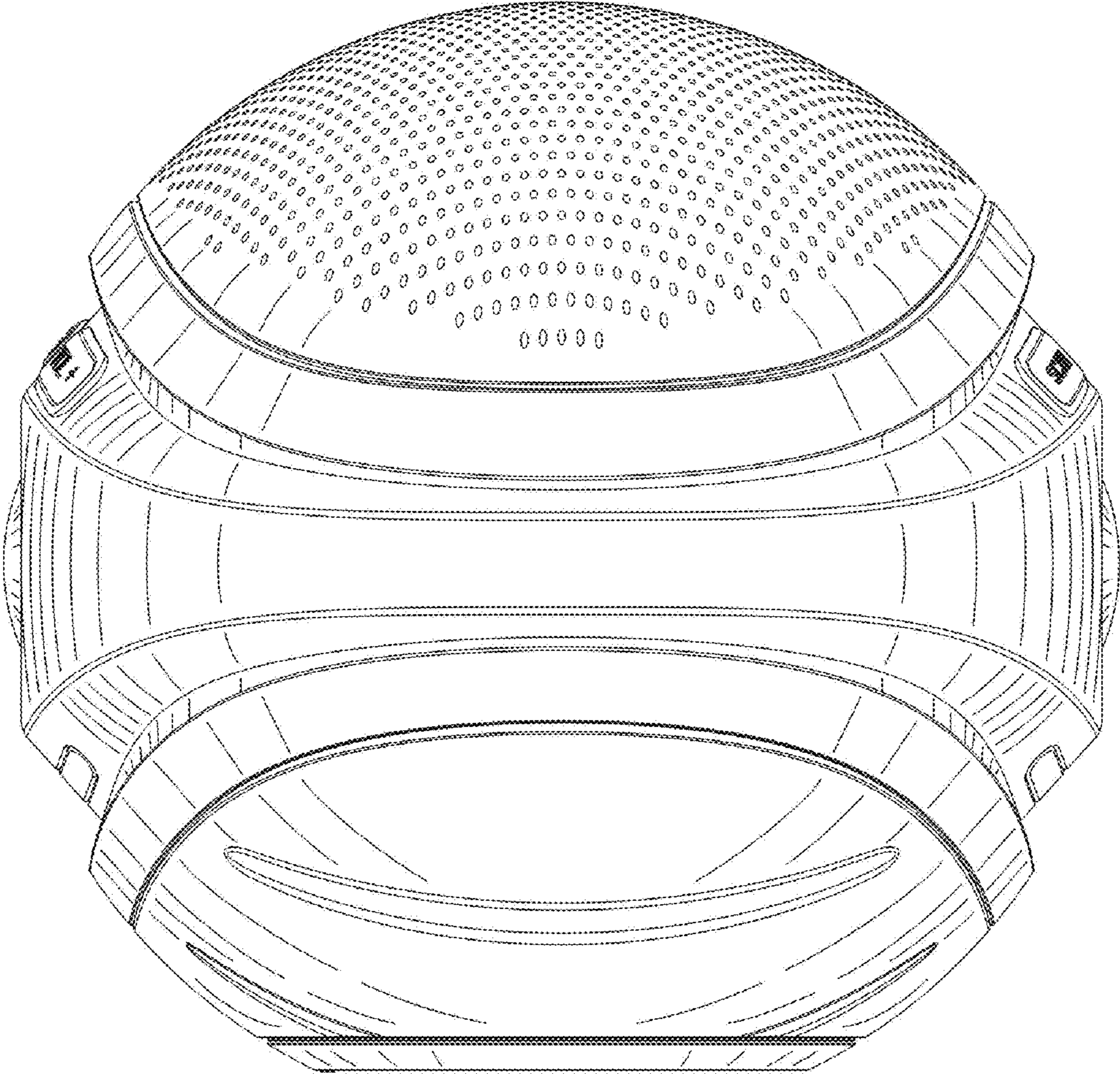


FIG. 1

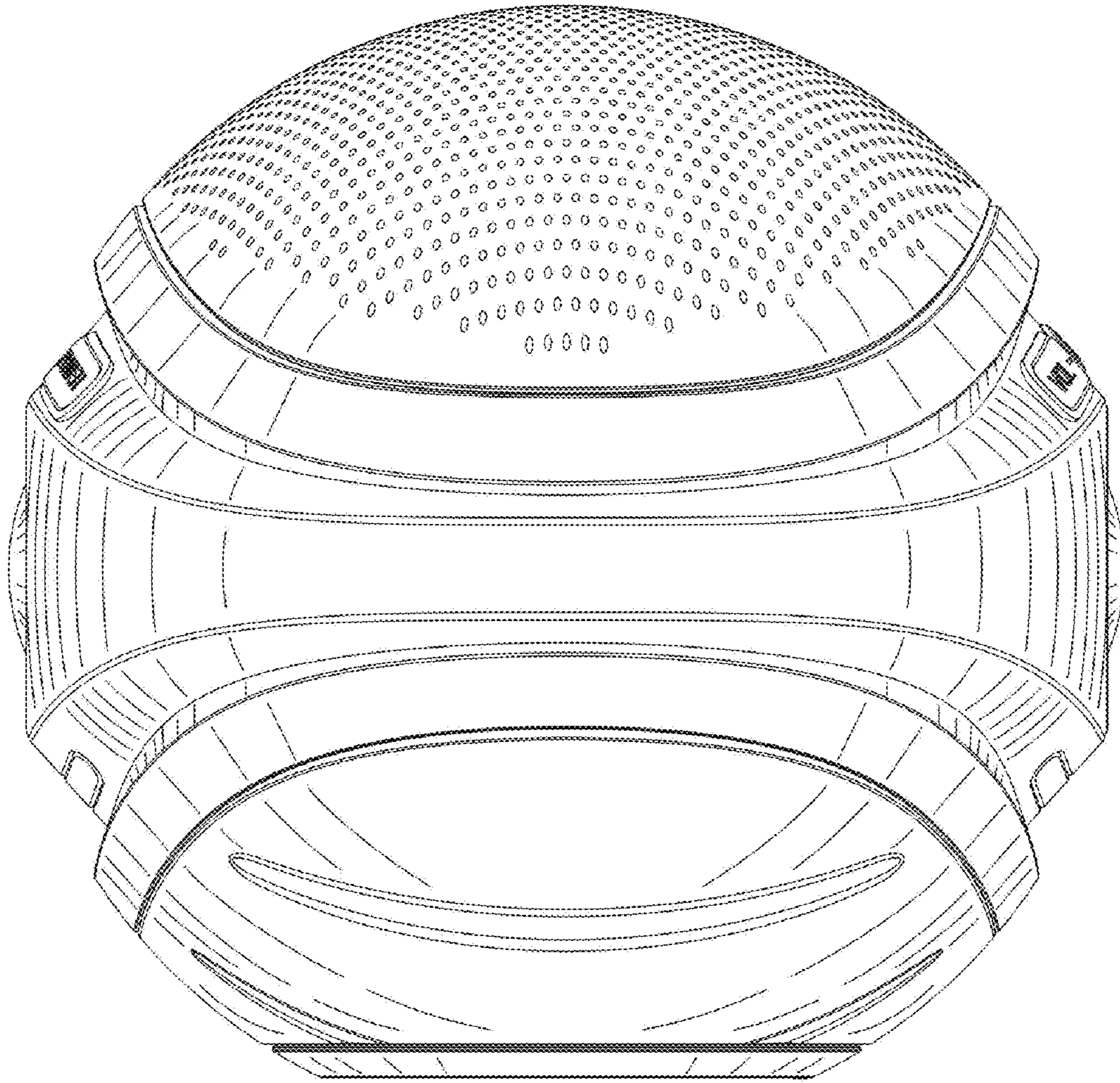


FIG. 2

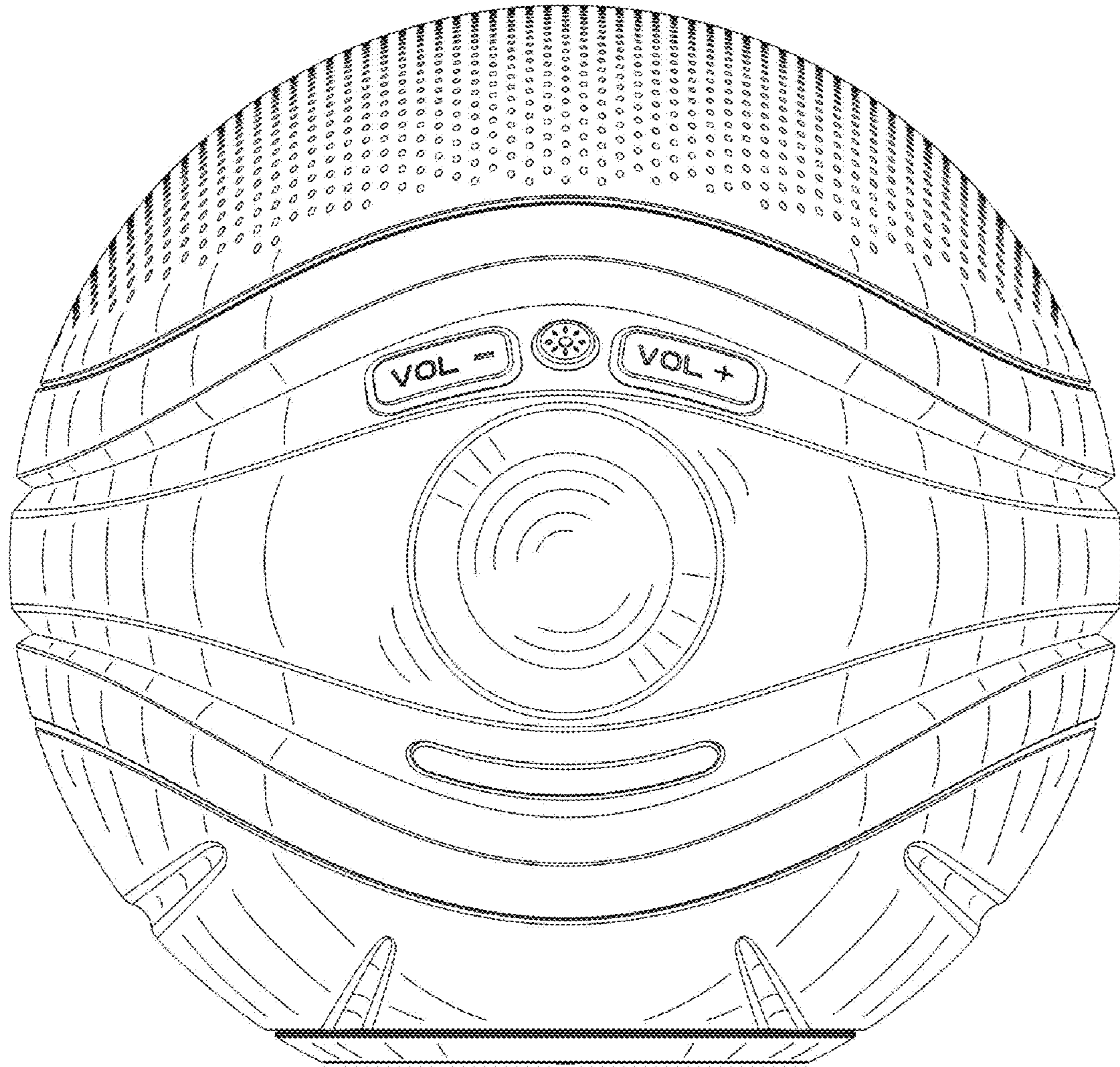


FIG. 3

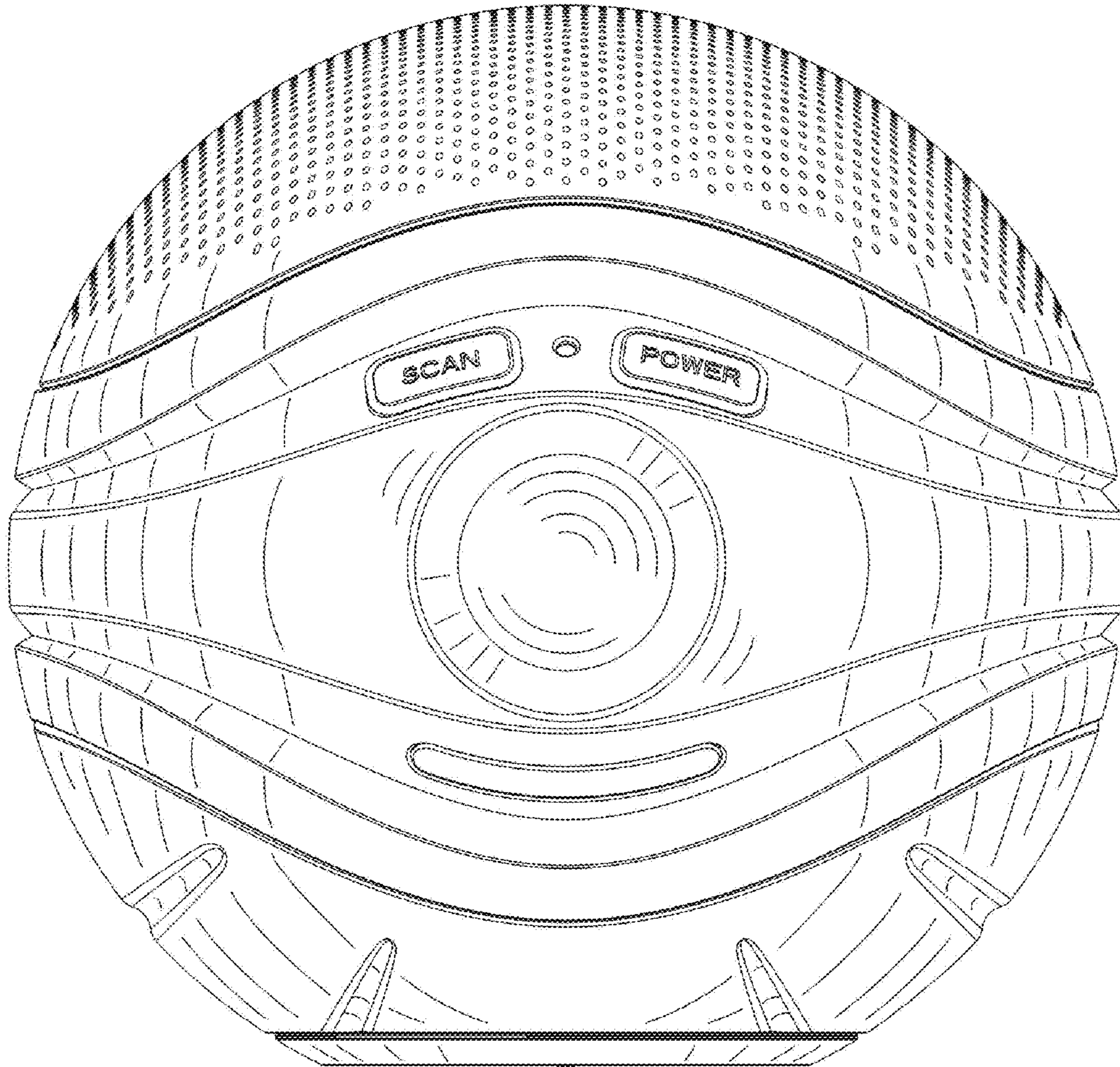


FIG. 4

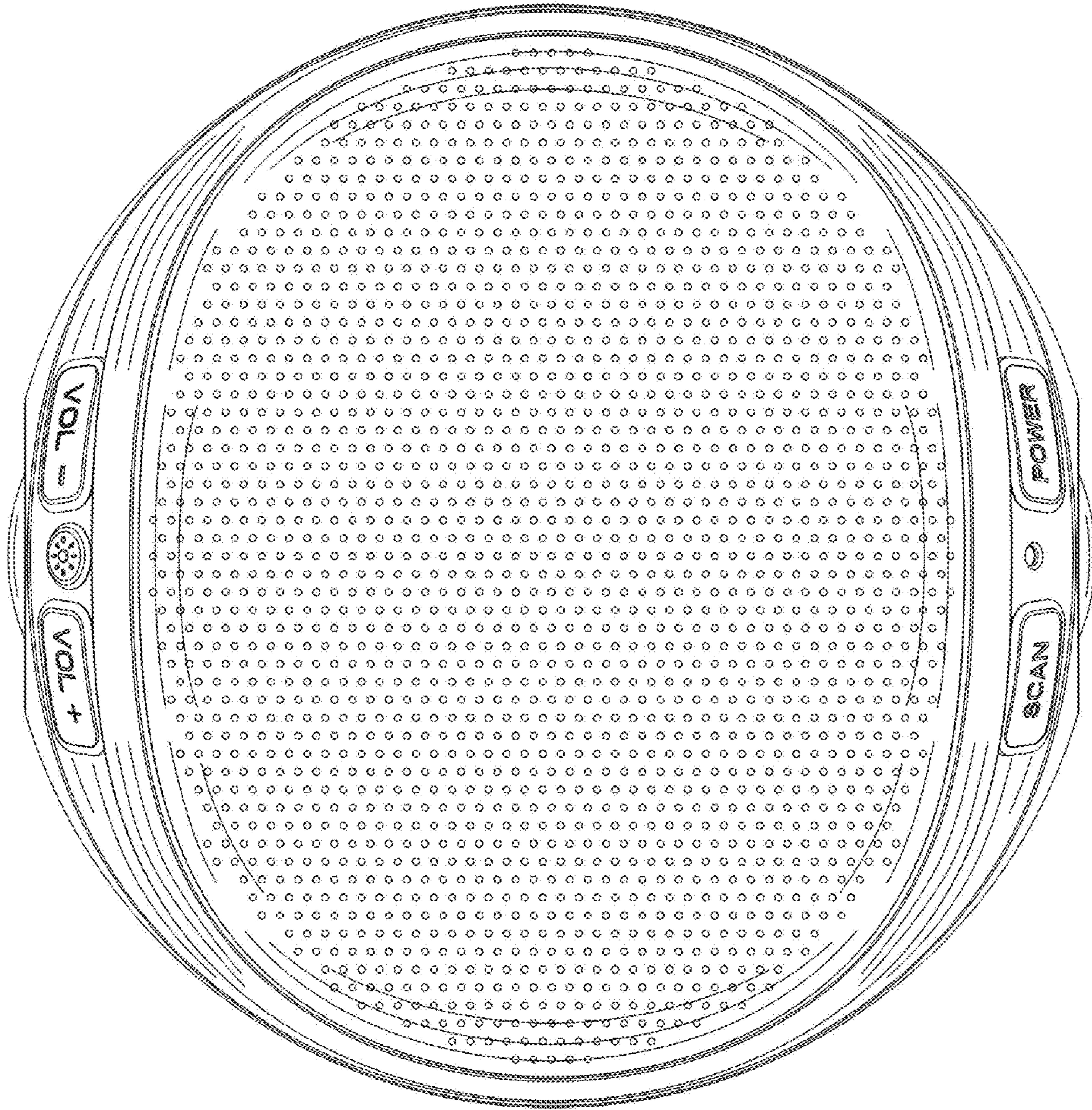


FIG. 5

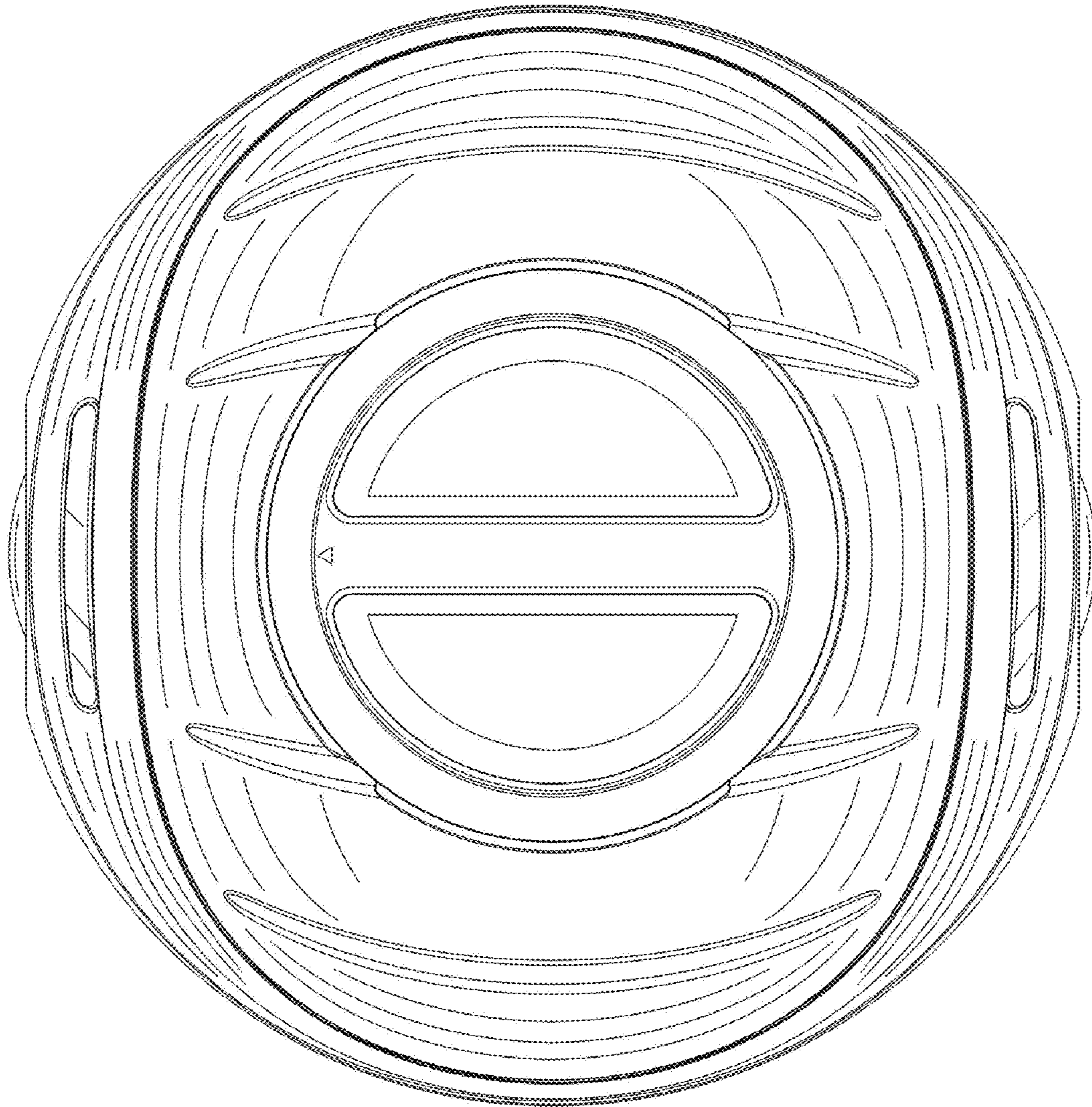


FIG. 6

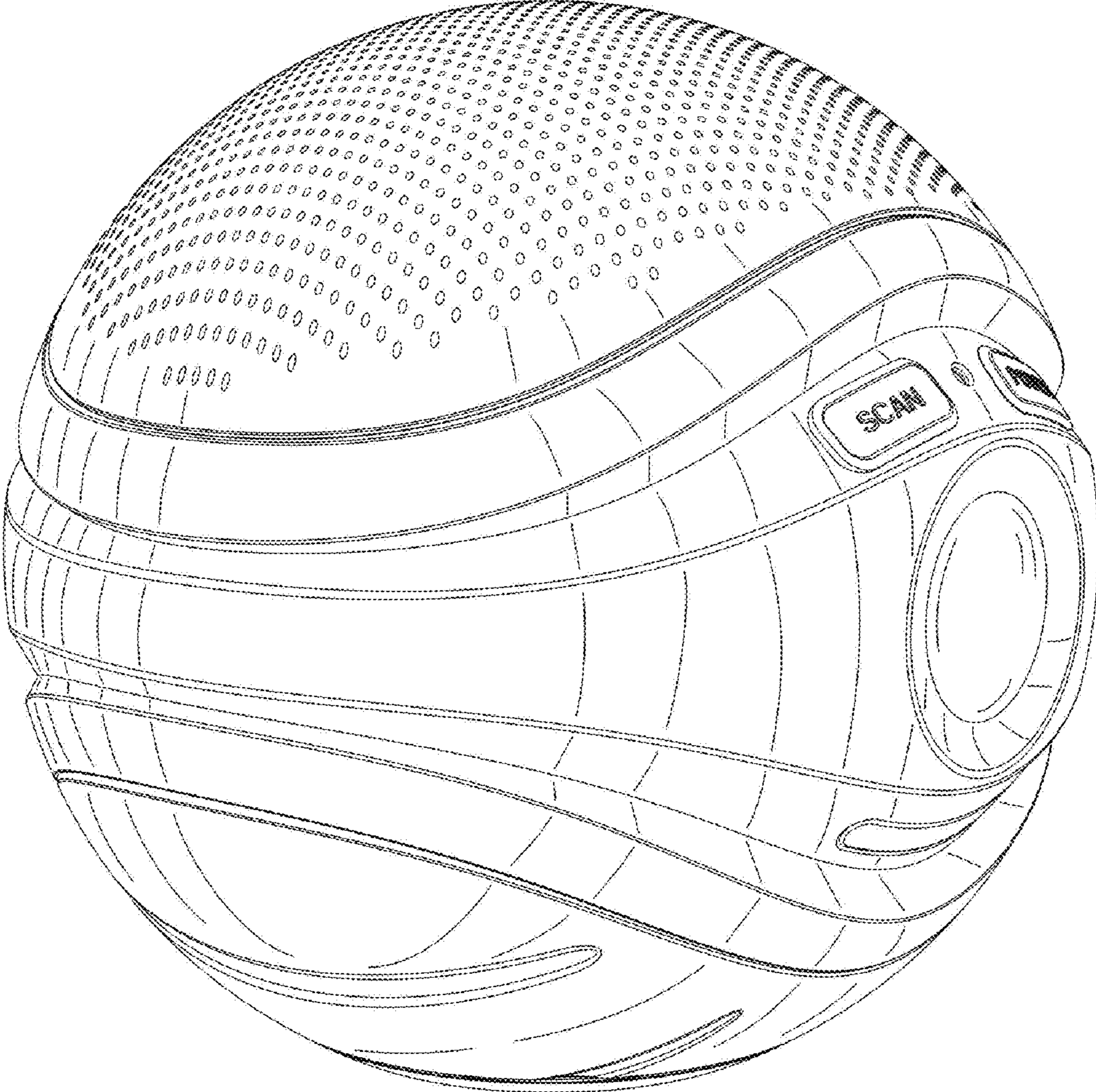


FIG. 7

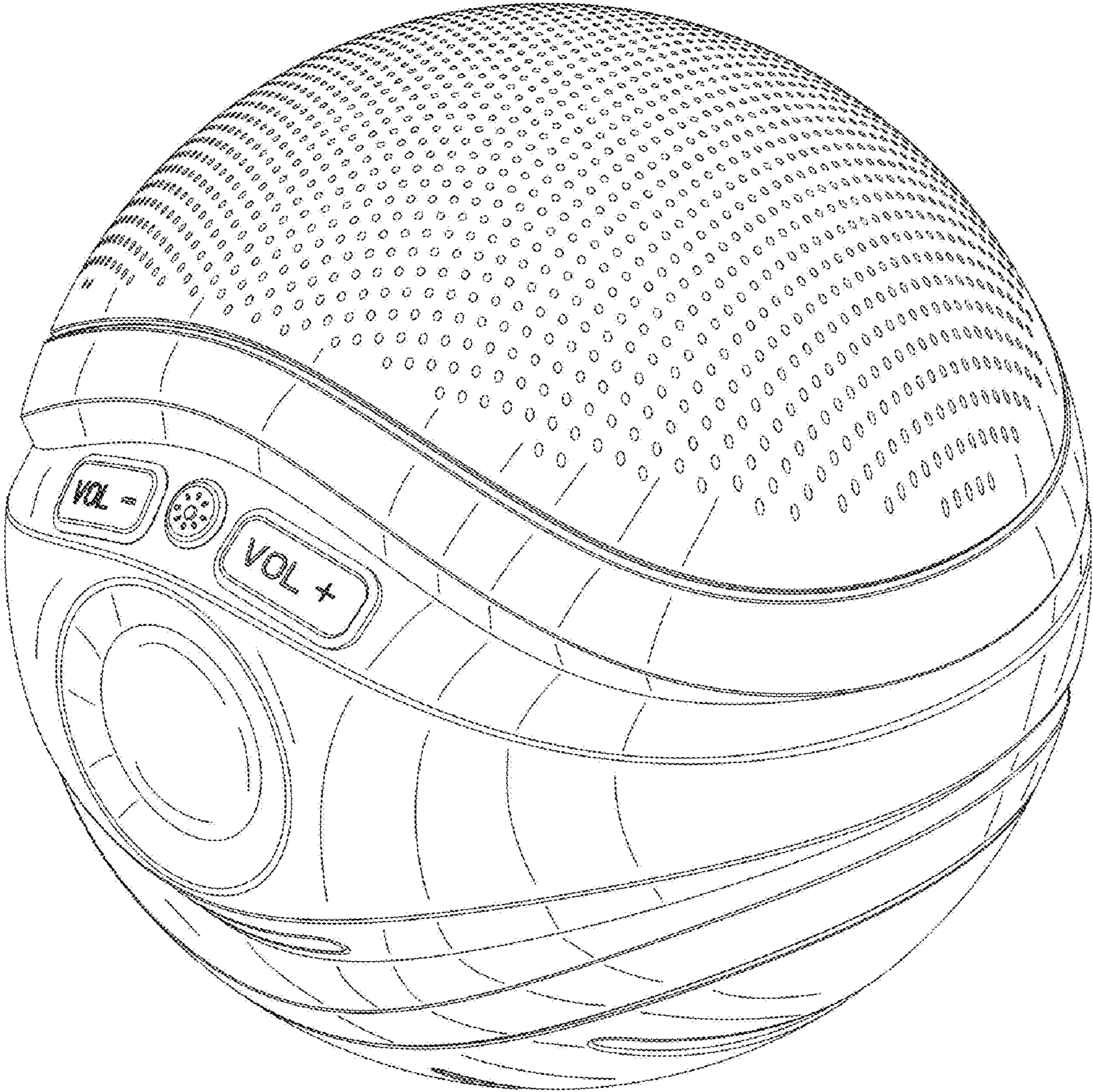


FIG. 8

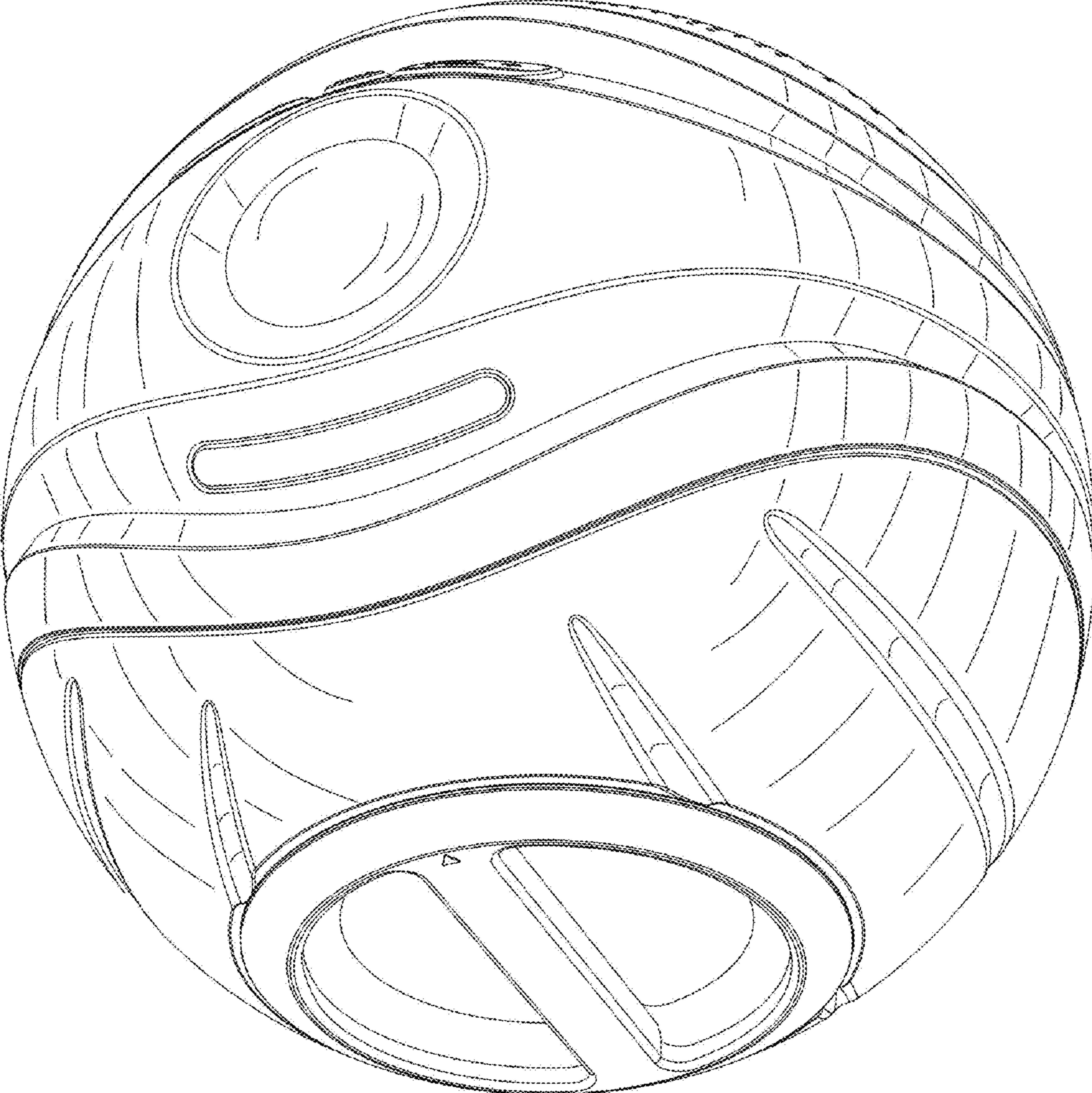


FIG. 9