



US00D593541S

(12) **United States Design Patent**  
**Muraoka et al.**

(10) **Patent No.:** **US D593,541 S**  
(45) **Date of Patent:** **\*\* Jun. 2, 2009**

(54) **SPEAKER**

(75) Inventors: **Shunji Muraoka, Yao (JP); Hitoshi Nishiyama, Yao (JP)**

(73) Assignee: **Hosiden Corporation, Osaka (JP)**

(\*\*) Term: **14 Years**

(21) Appl. No.: **29/332,444**

(22) Filed: **Feb. 17, 2009**

**Related U.S. Application Data**

(62) Division of application No. 29/319,952, filed on Jun. 18, 2008.

(30) **Foreign Application Priority Data**

Dec. 26, 2007 (JP) ..... 2007-035577  
Dec. 26, 2007 (JP) ..... 2007-035578  
Dec. 26, 2007 (JP) ..... 2007-035579

(51) **LOC (9) Cl.** ..... **14-01**

(52) **U.S. Cl.** ..... **D14/215**

(58) **Field of Classification Search** ..... D14/204,  
D14/210–216, 172; 181/143–144, 147–148,  
181/150–153, 157, 198–199; 381/300–303,  
381/306, 332–333, 336, 345, 361–364, 386–388  
See application file for complete search history.

(56) **References Cited**

**U.S. PATENT DOCUMENTS**

D282,540 S 2/1986 Clason  
D409,198 S \* 5/1999 Harvey et al. .... D14/215  
D416,260 S \* 11/1999 Harvey et al. .... D14/215  
D462,067 S \* 8/2002 Solland ..... D14/215  
D485,256 S 1/2004 Allen  
D496,027 S \* 9/2004 Dayan ..... D14/215

D505,942 S 6/2005 Meyer et al.  
D531,989 S 11/2006 Dayan  
D532,771 S \* 11/2006 Motoishi ..... D14/211  
D534,158 S \* 12/2006 Yokoyama ..... D14/211  
D553,611 S 10/2007 Gan

\* cited by examiner

*Primary Examiner*—Nanda Bondade

(74) *Attorney, Agent, or Firm*—Panitch Schwarze Belisario & Nadel LLP

(57) **CLAIM**

The ornamental design for a speaker, as shown and described.

**DESCRIPTION**

FIG. 1 is a front, right side and top perspective view of a speaker showing our new design;

FIG. 2 is a front elevational view thereof;

FIG. 3 is a rear elevational view thereof;

FIG. 4 is a top plan view thereof;

FIG. 5 is a bottom plan view thereof;

FIG. 6 is a left side elevational view thereof;

FIG. 7 is a front, right side and top perspective view of a second embodiment of FIG. 1;

FIG. 8 is a front elevational view thereof;

FIG. 9 is a rear elevational view thereof;

FIG. 10 is a top plan view thereof;

FIG. 11 is a bottom plan view thereof; and,

FIG. 12 is a left side elevational view thereof.

The broken line showing on the drawing disclosure is for illustrative purposes only and forms no part of the claimed design.

**1 Claim, 4 Drawing Sheets**

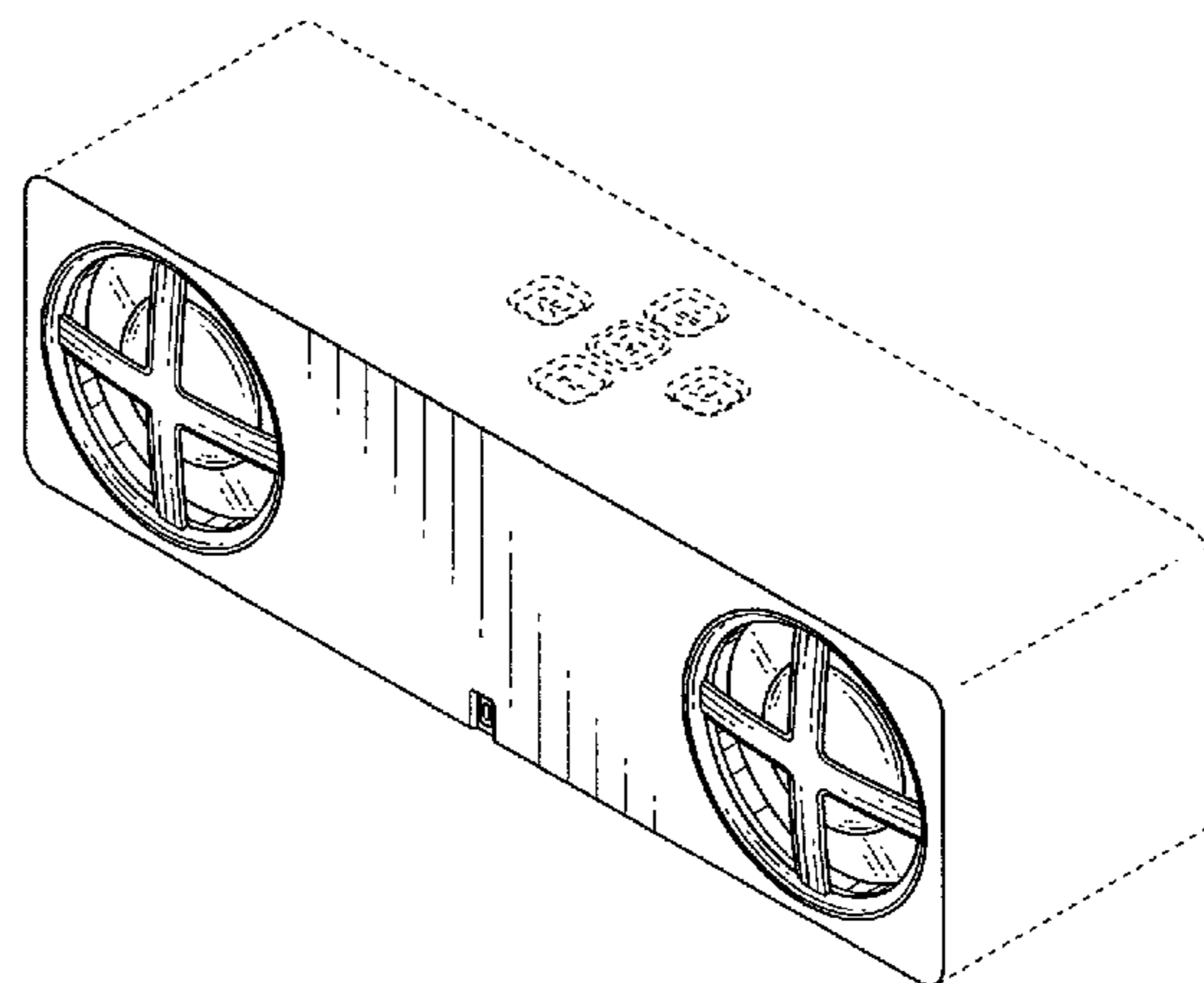
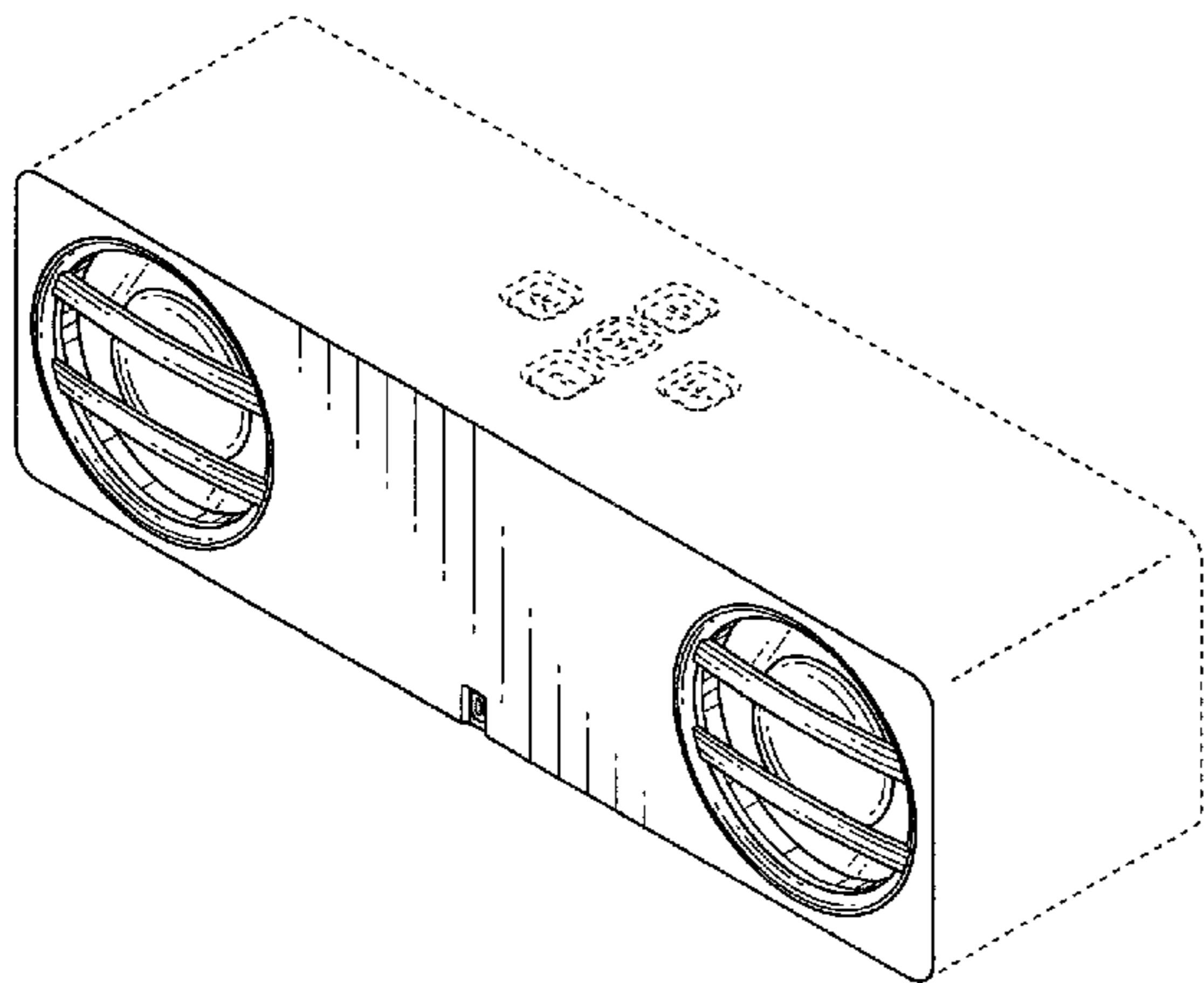


Fig. 1

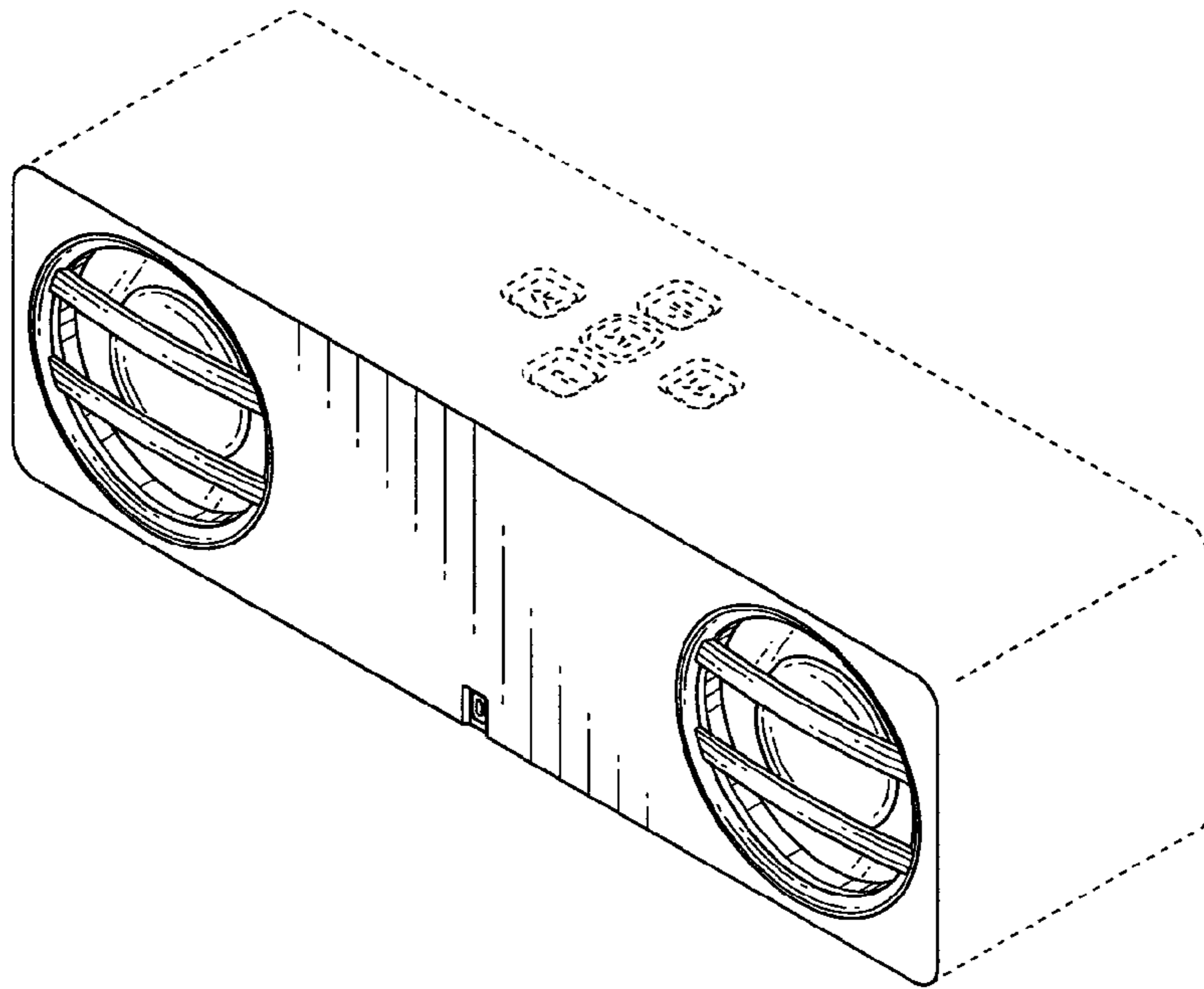


Fig. 2

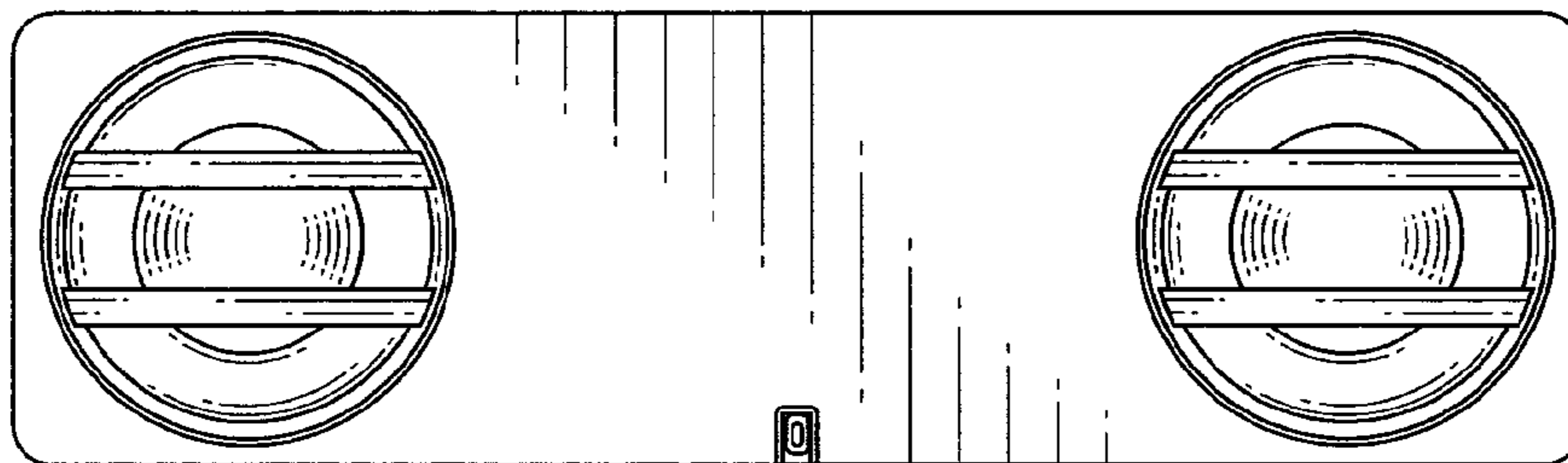


Fig. 3

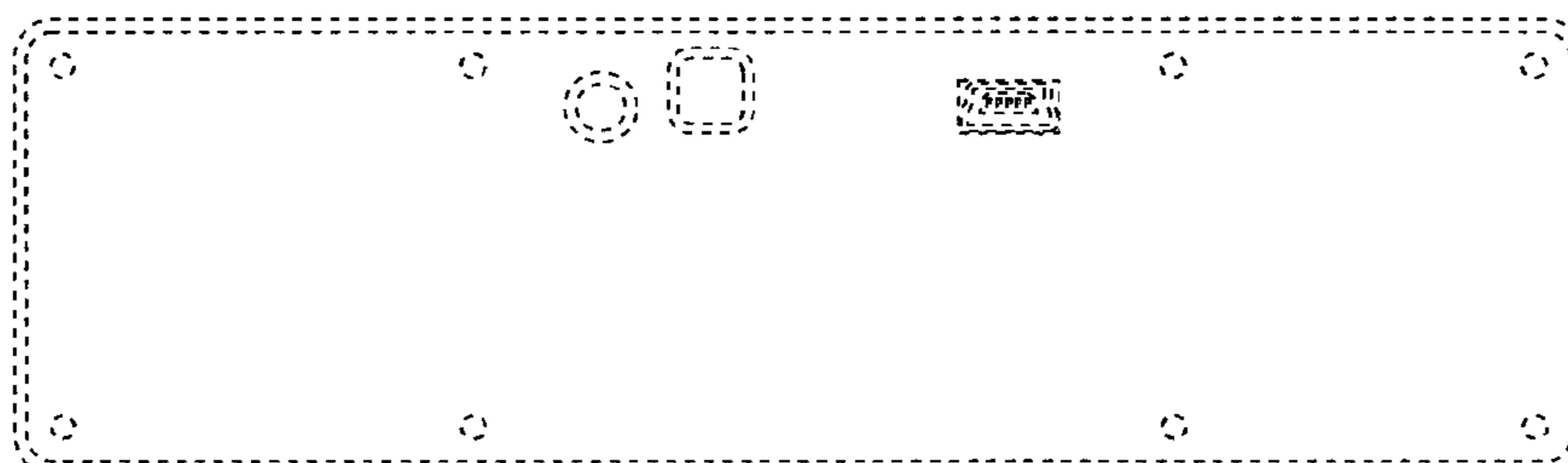


Fig. 4

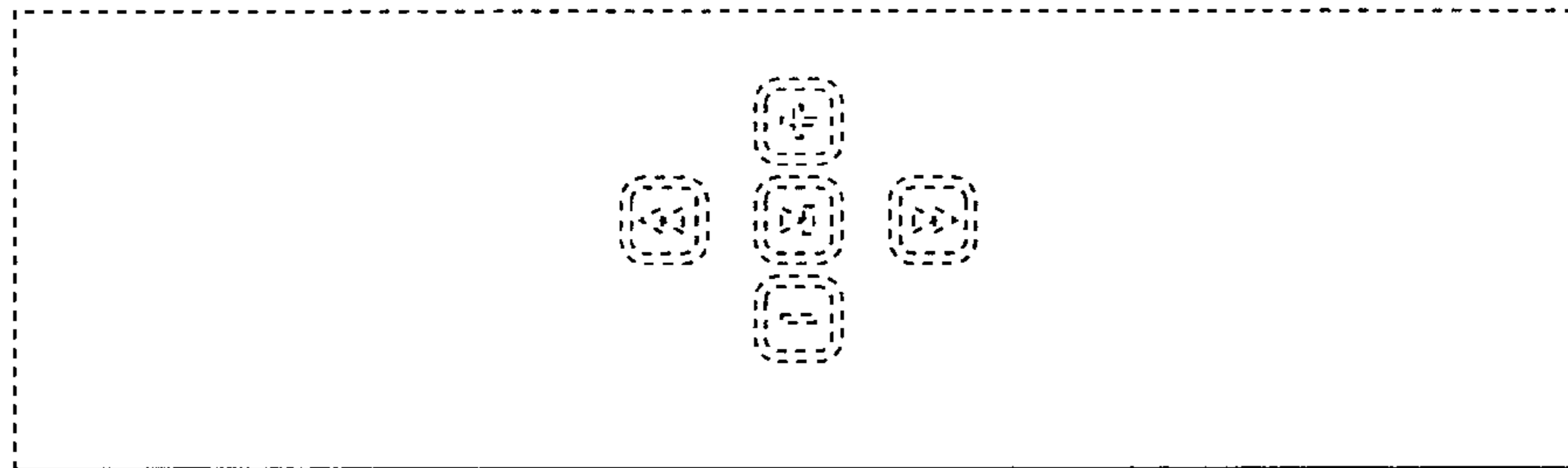


Fig. 5

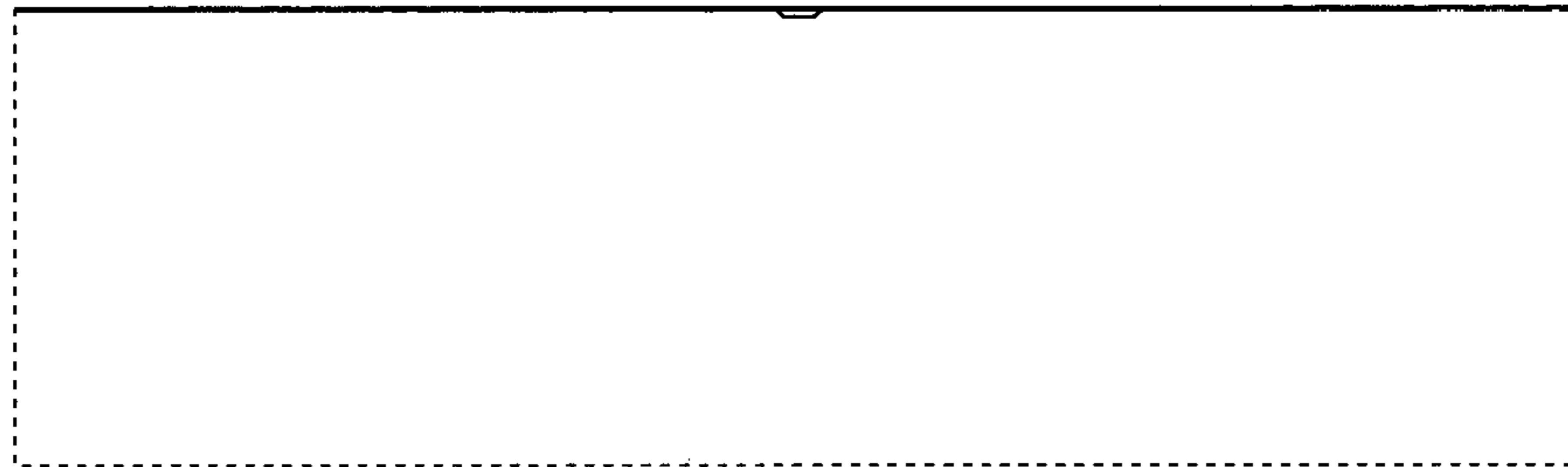


Fig. 6

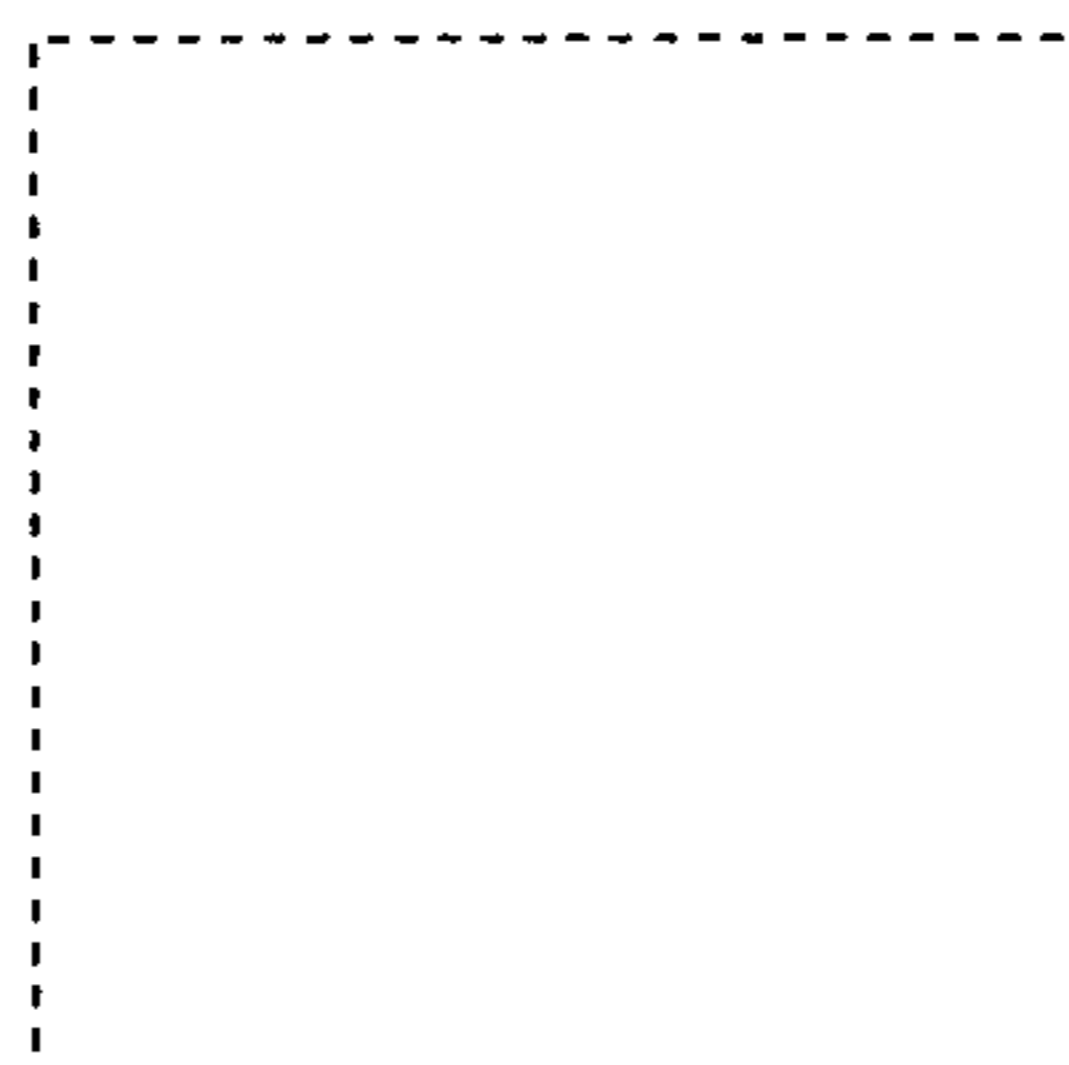


Fig. 7

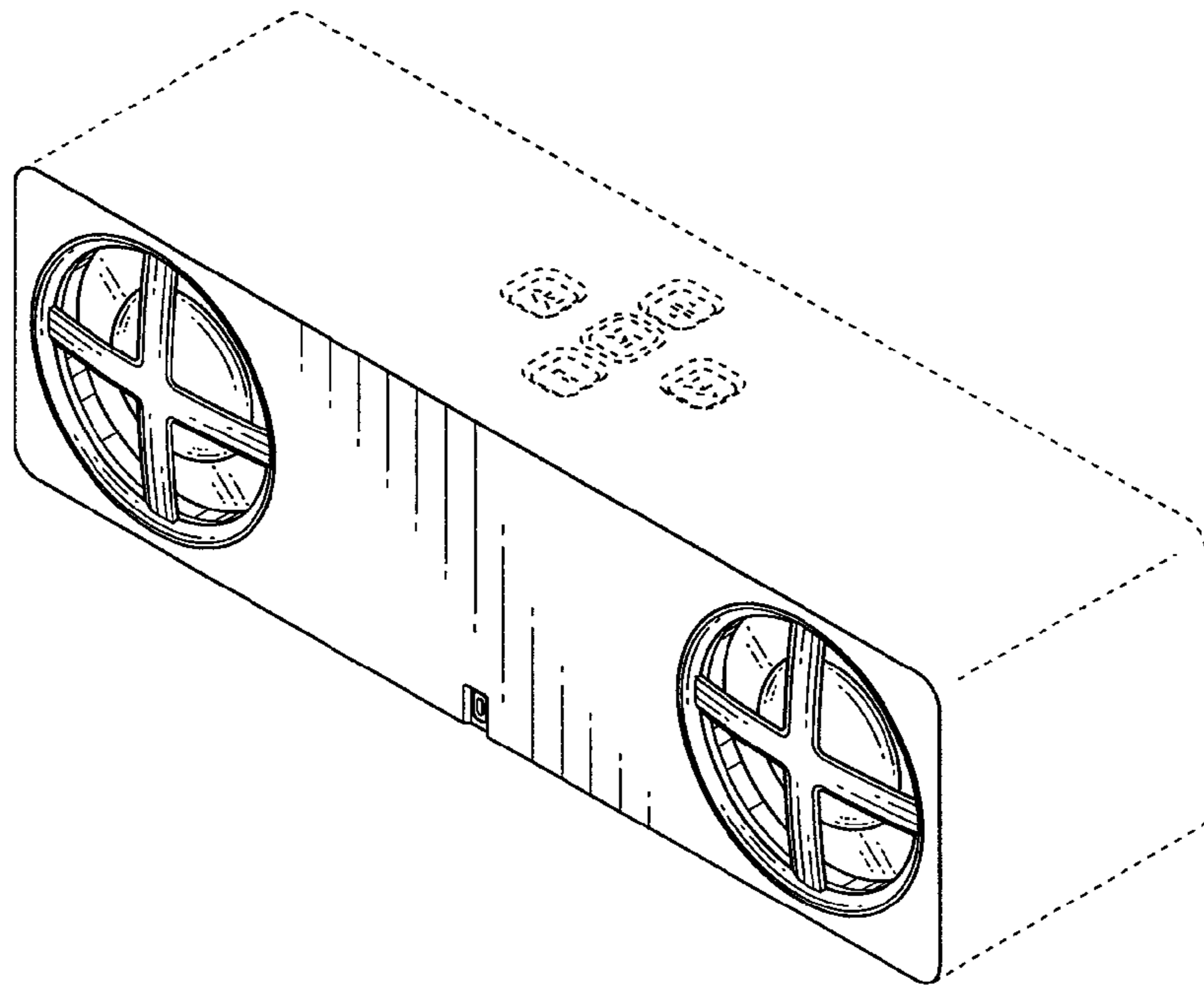


Fig. 8

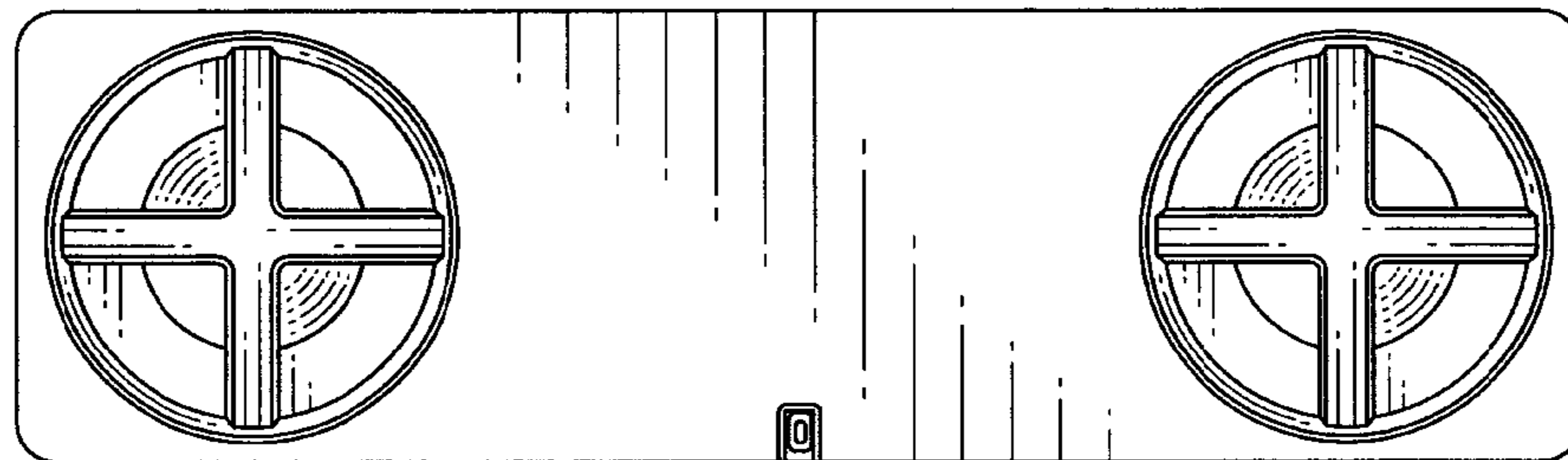


Fig. 9

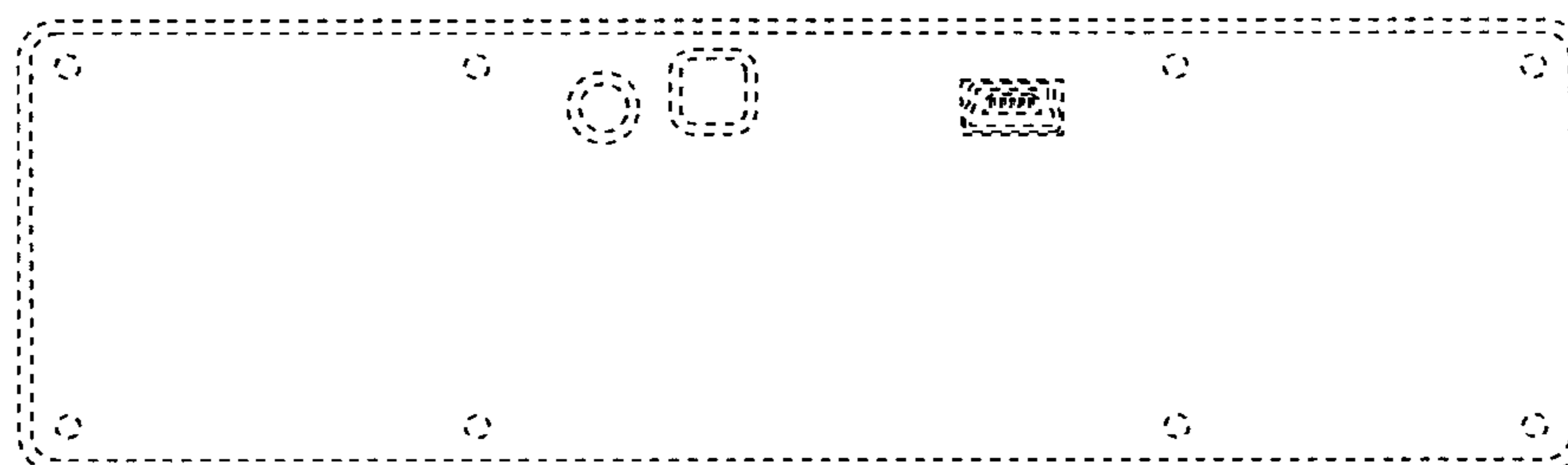


Fig. 10

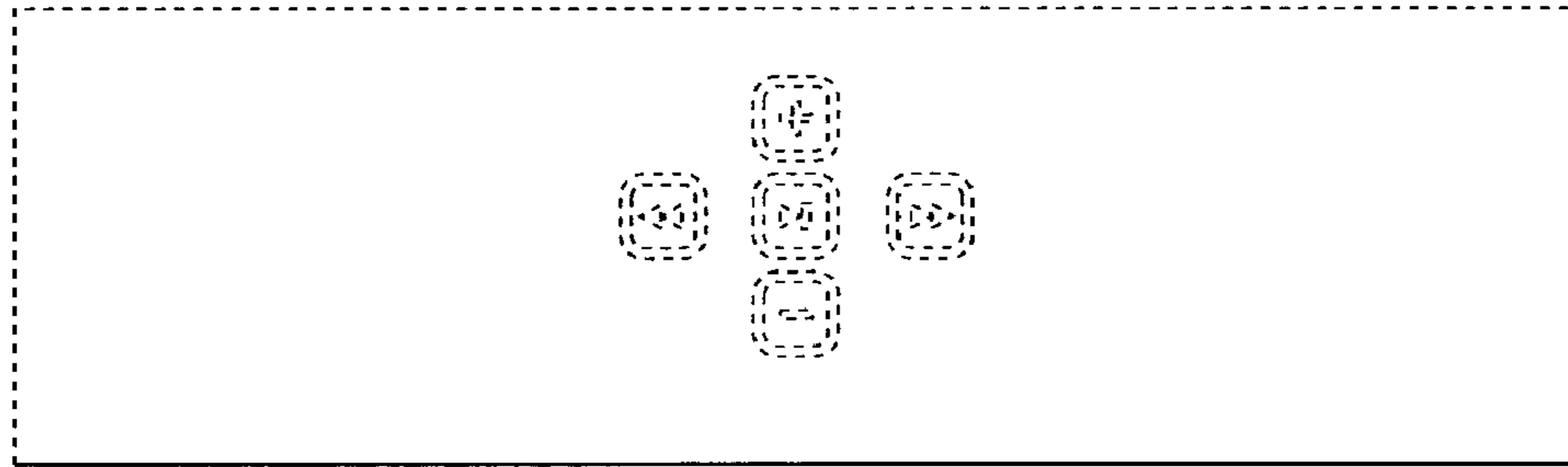


Fig. 11

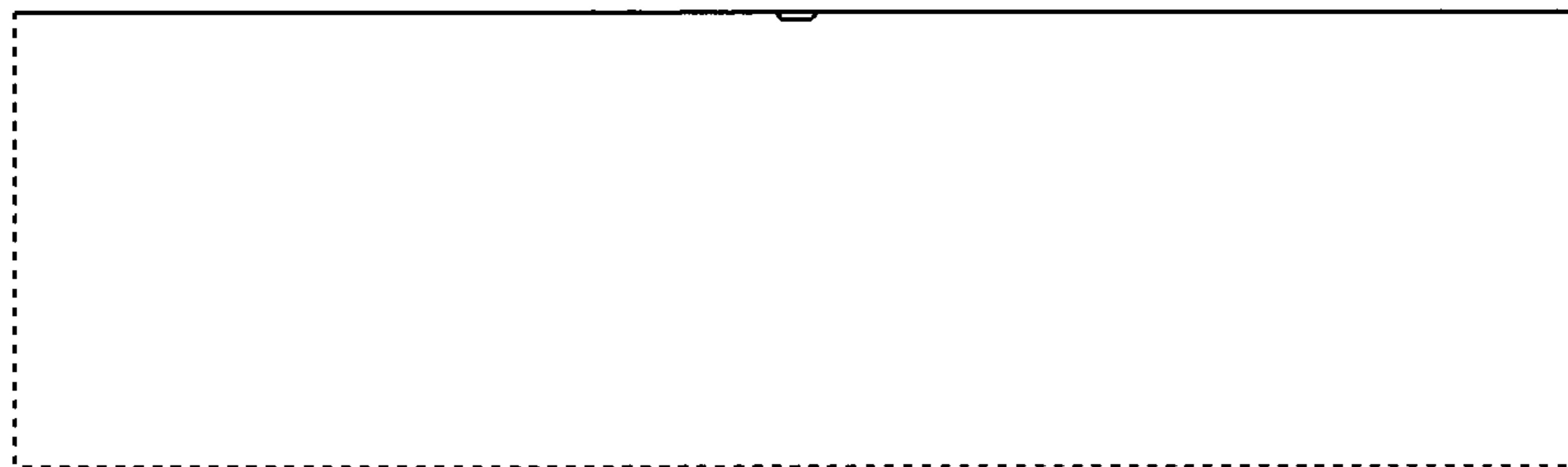


Fig. 12

