



US00D593540S

(12) **United States Design Patent**
Skurdal

(10) **Patent No.:** **US D593,540 S**
(45) **Date of Patent:** **** Jun. 2, 2009**

- (54) **PORTABLE SPEAKER FOR DIGITAL PLAYER**
- (75) Inventor: **Andrew Skurdal**, Jersey City, NJ (US)
- (73) Assignee: **SDI Technologies, Inc.**, Rahway, NJ (US)
- (**) Term: **14 Years**
- (21) Appl. No.: **29/324,901**
- (22) Filed: **Sep. 23, 2008**

- (51) **LOC (9) Cl.** **14-01**
- (52) **U.S. Cl.** **D14/215; D14/209.1**
- (58) **Field of Classification Search** D14/204,
D14/210-216, 172, 203.1-203.8, 496, 209.1;
181/143-144, 147-148, 150-153, 157, 198-199;
381/300-303, 306, 332-333, 336, 345, 361-364,
381/386-388
See application file for complete search history.

(56) **References Cited**

U.S. PATENT DOCUMENTS

- 7,043,044 B2 * 5/2006 Amid-Hozour 381/388
- D538,787 S * 3/2007 Tsai D14/209.1
- D545,810 S * 7/2007 Hussaini et al. D14/168
- D559,832 S * 1/2008 Poandl D14/212

* cited by examiner

Primary Examiner—Nanda Bondade
(74) *Attorney, Agent, or Firm*—Ostrolenk, Faber, Gerb & Soffen, LLP

(57) **CLAIM**

The ornamental design for portable speaker for digital player, as shown and described.

DESCRIPTION

FIG. 1 is a front perspective view of a portable speaker for digital player showing my new design;

FIG. 2 is a front view thereof;

FIG. 3 is a side view thereof, the opposite side view being a mirror image;

FIG. 4 is a rear view thereof;

FIG. 5 is a top view thereof;

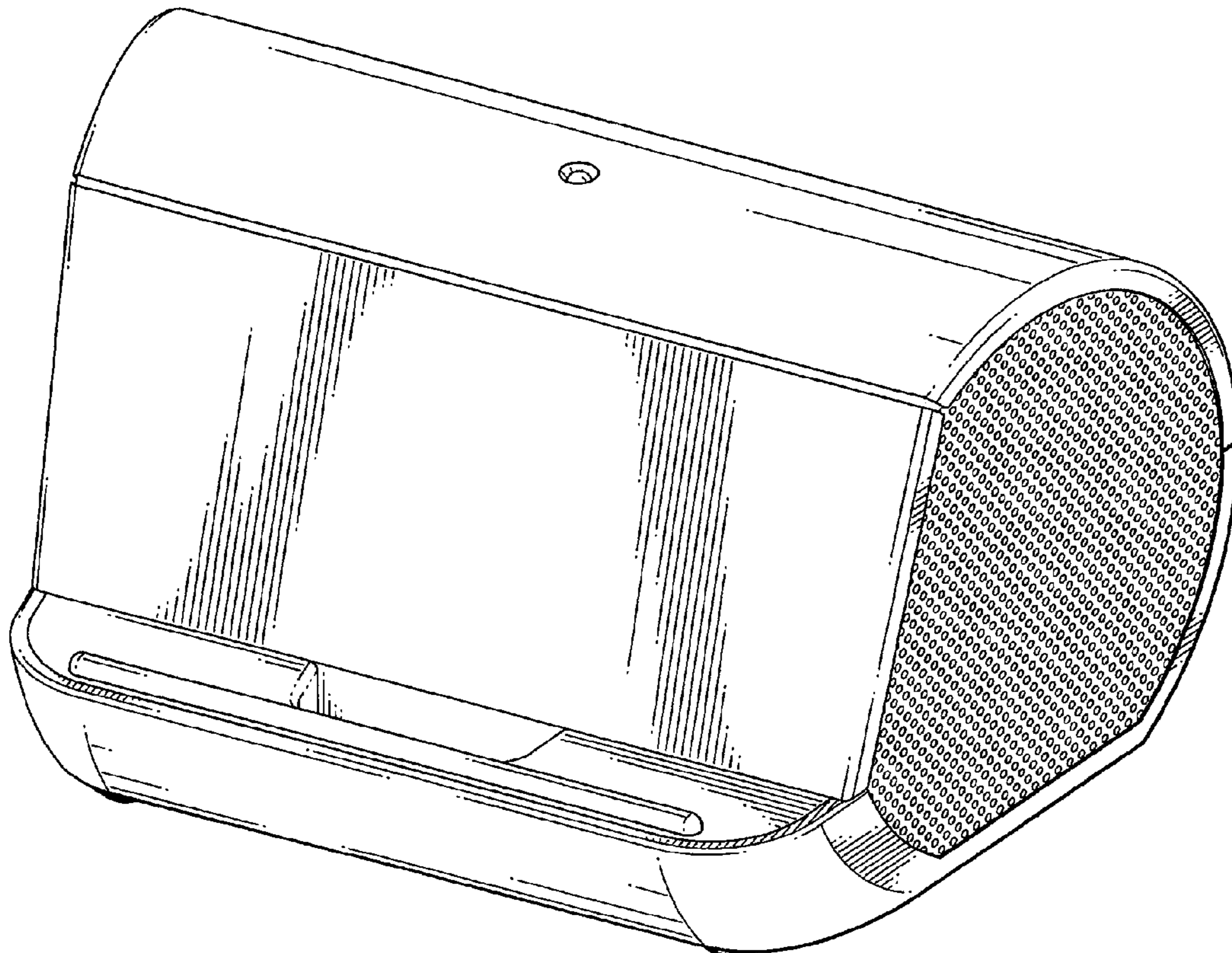
FIG. 6 is a bottom view thereof;

FIG. 7 is a cross-section thereof along line 7—7 in FIG. 2; and,

FIG. 8 is a cross-section thereof along line 8—8 in FIG. 2.

The broken line showing is of environmental material and forms no part of the claimed design.

1 Claim, 8 Drawing Sheets



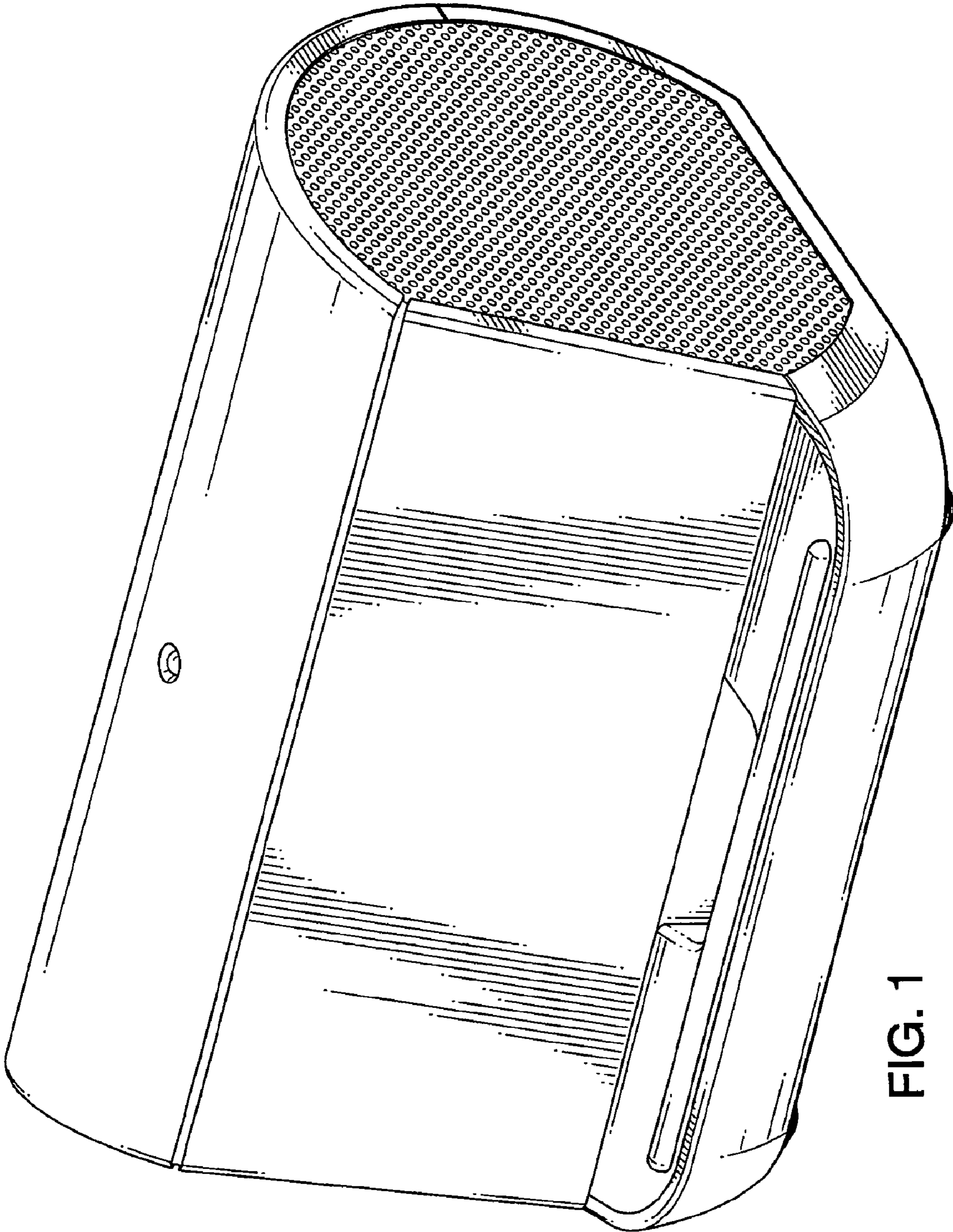
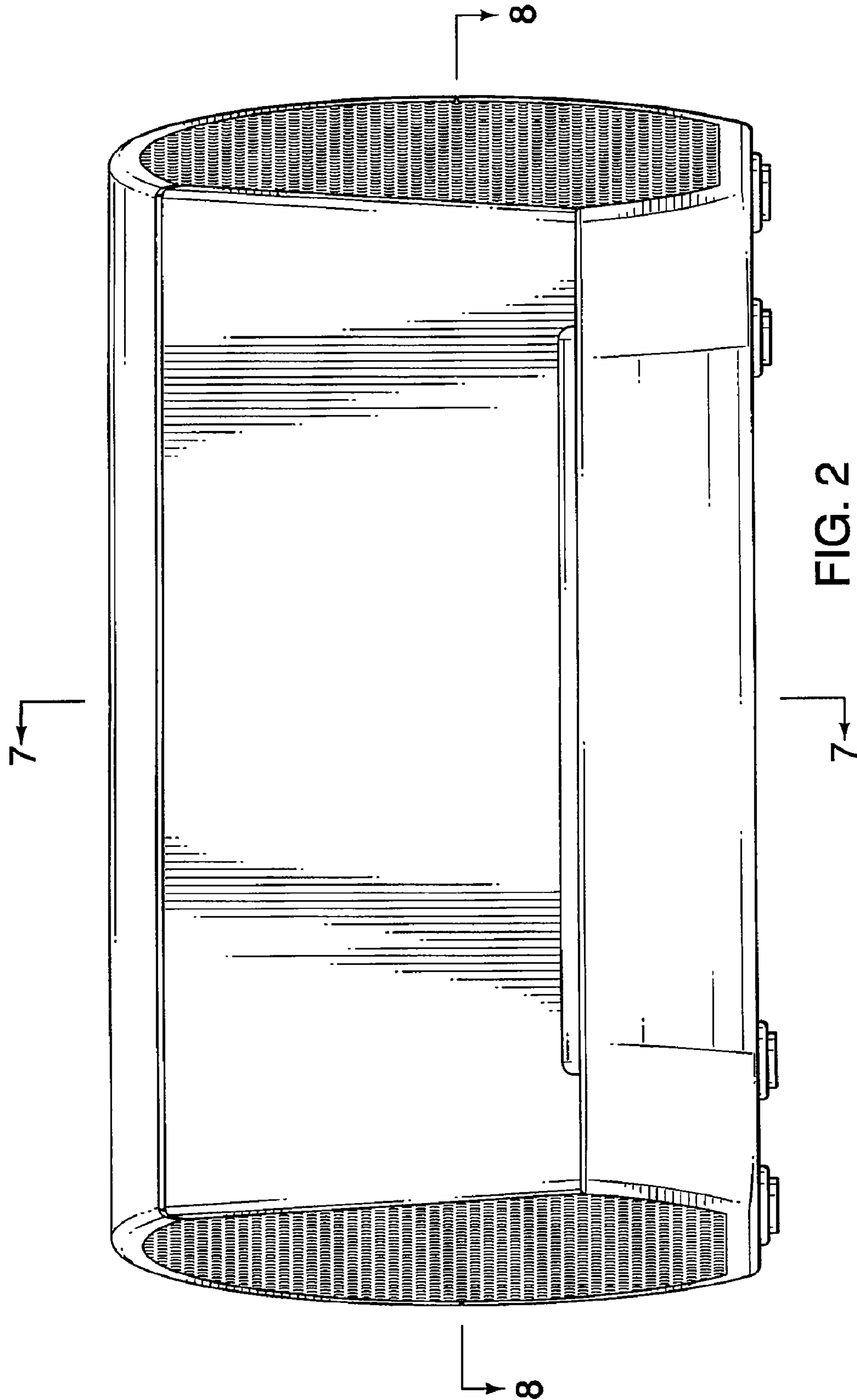


FIG. 1



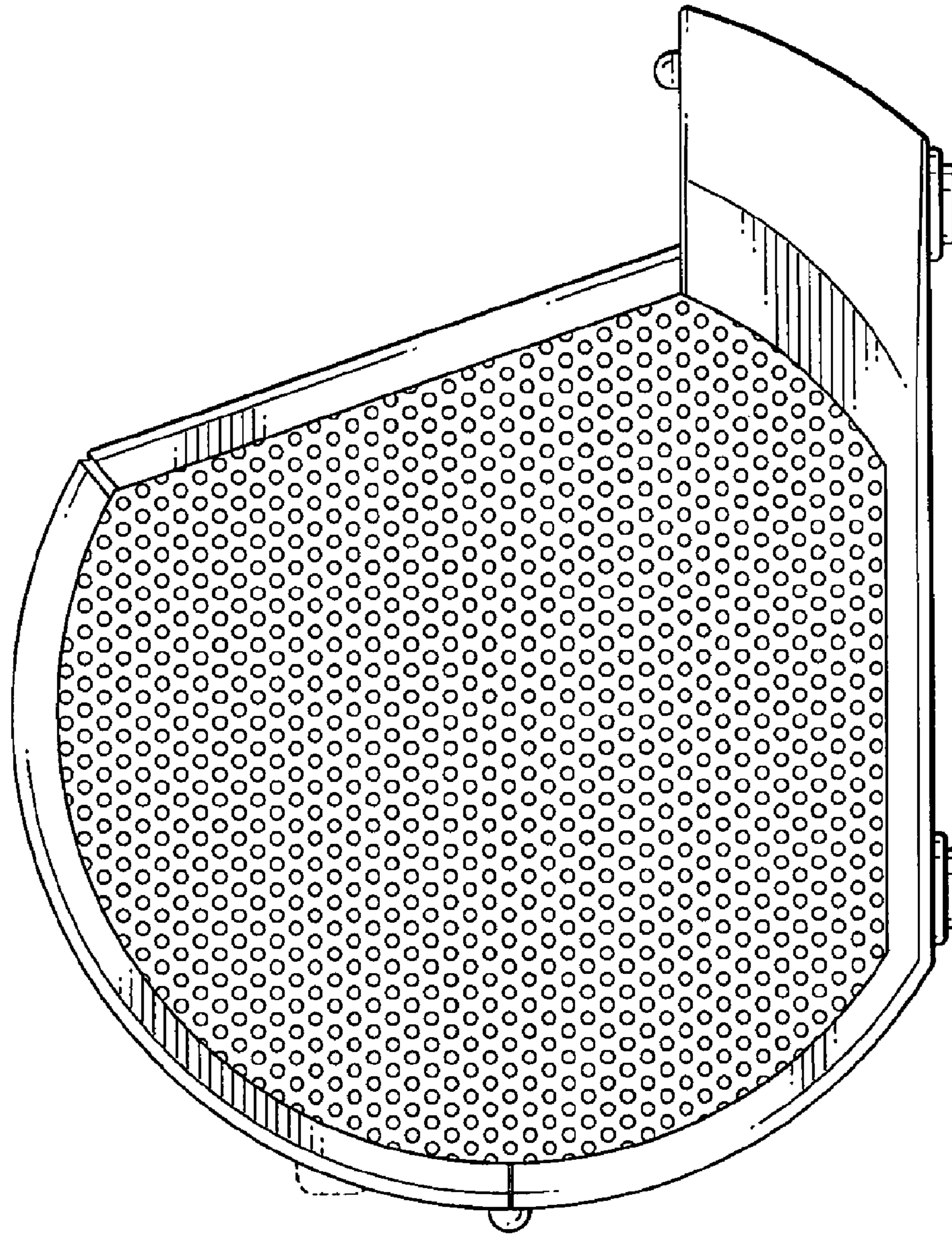


FIG. 3

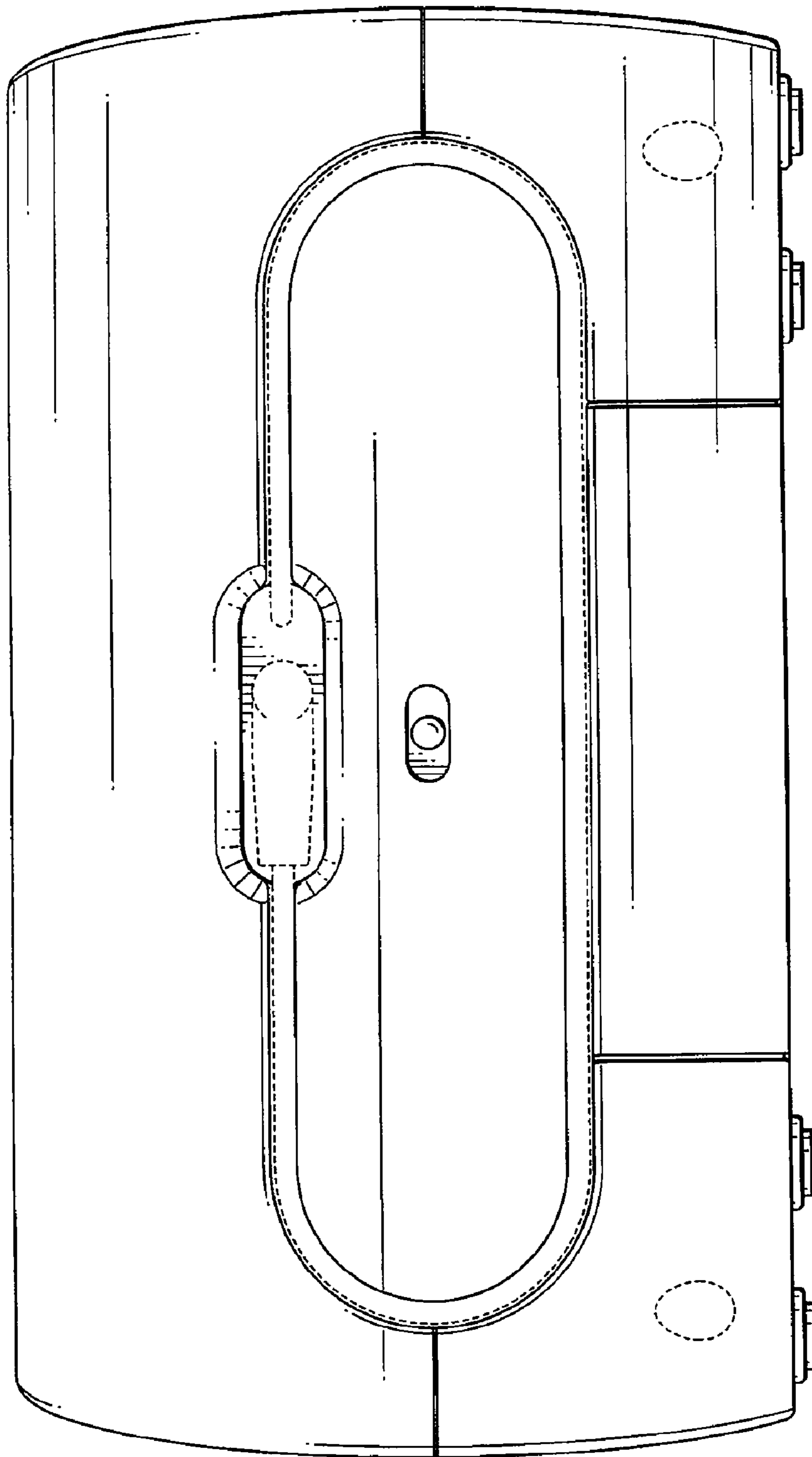


FIG. 4

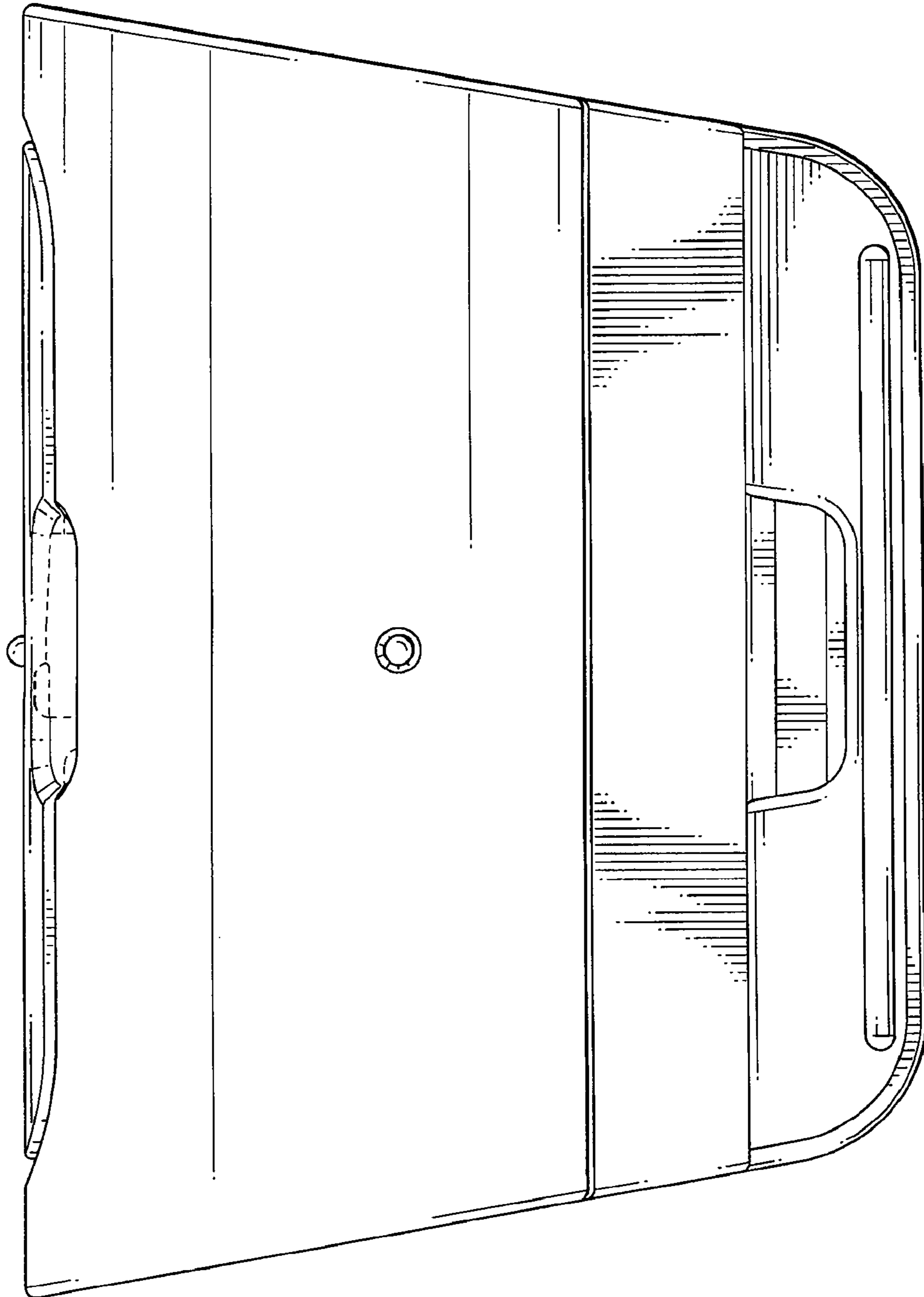


FIG. 5

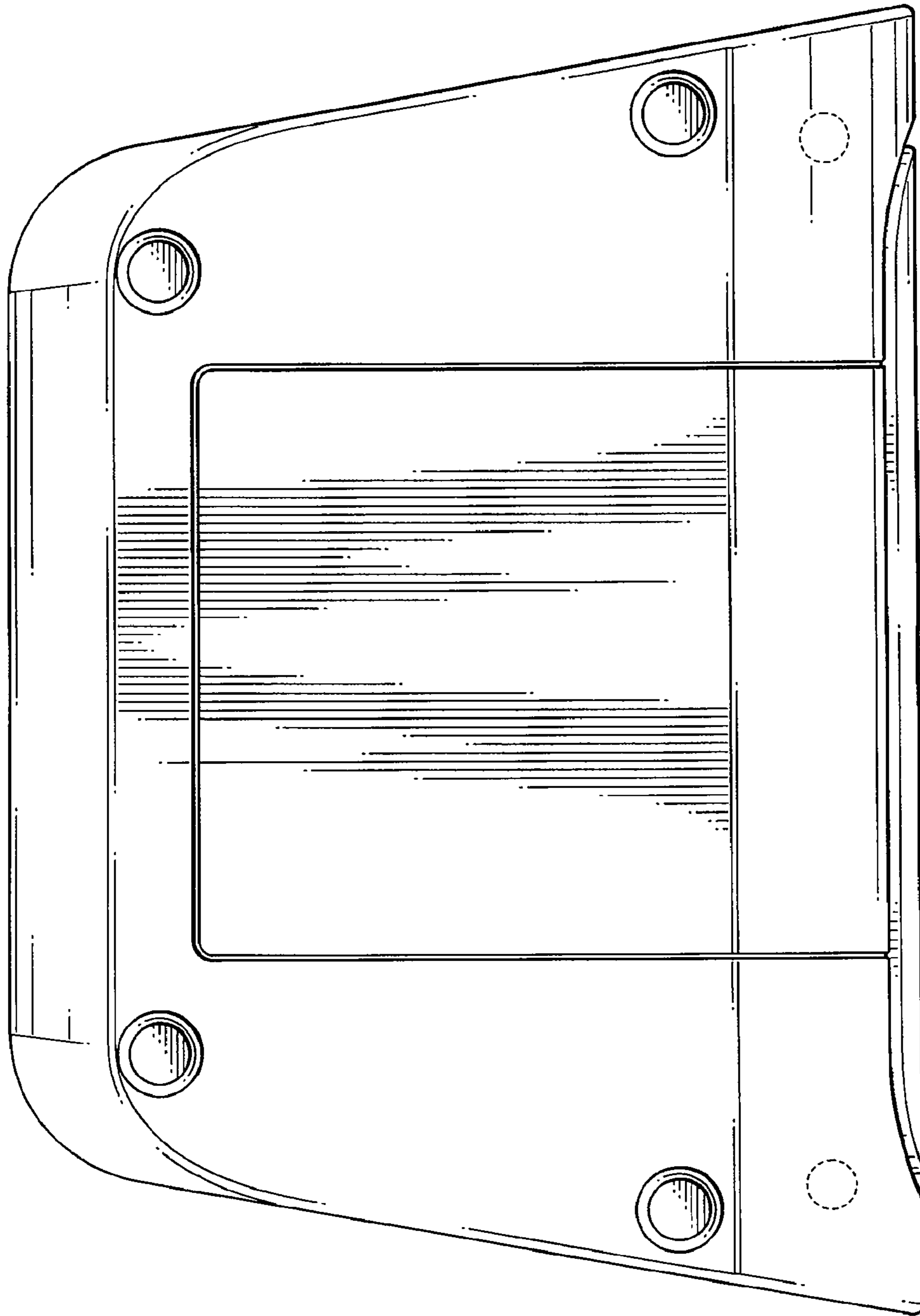


FIG. 6

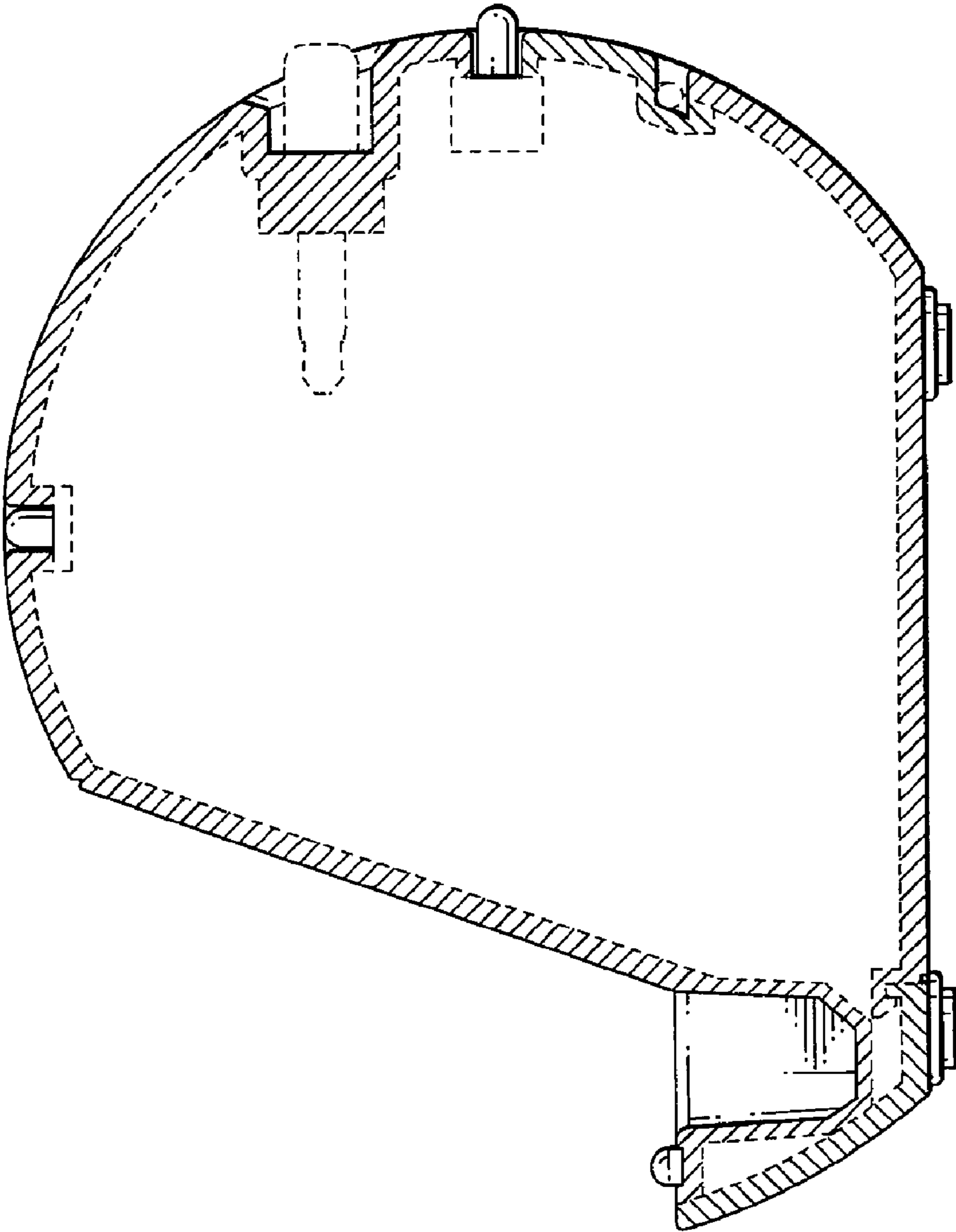


FIG. 7

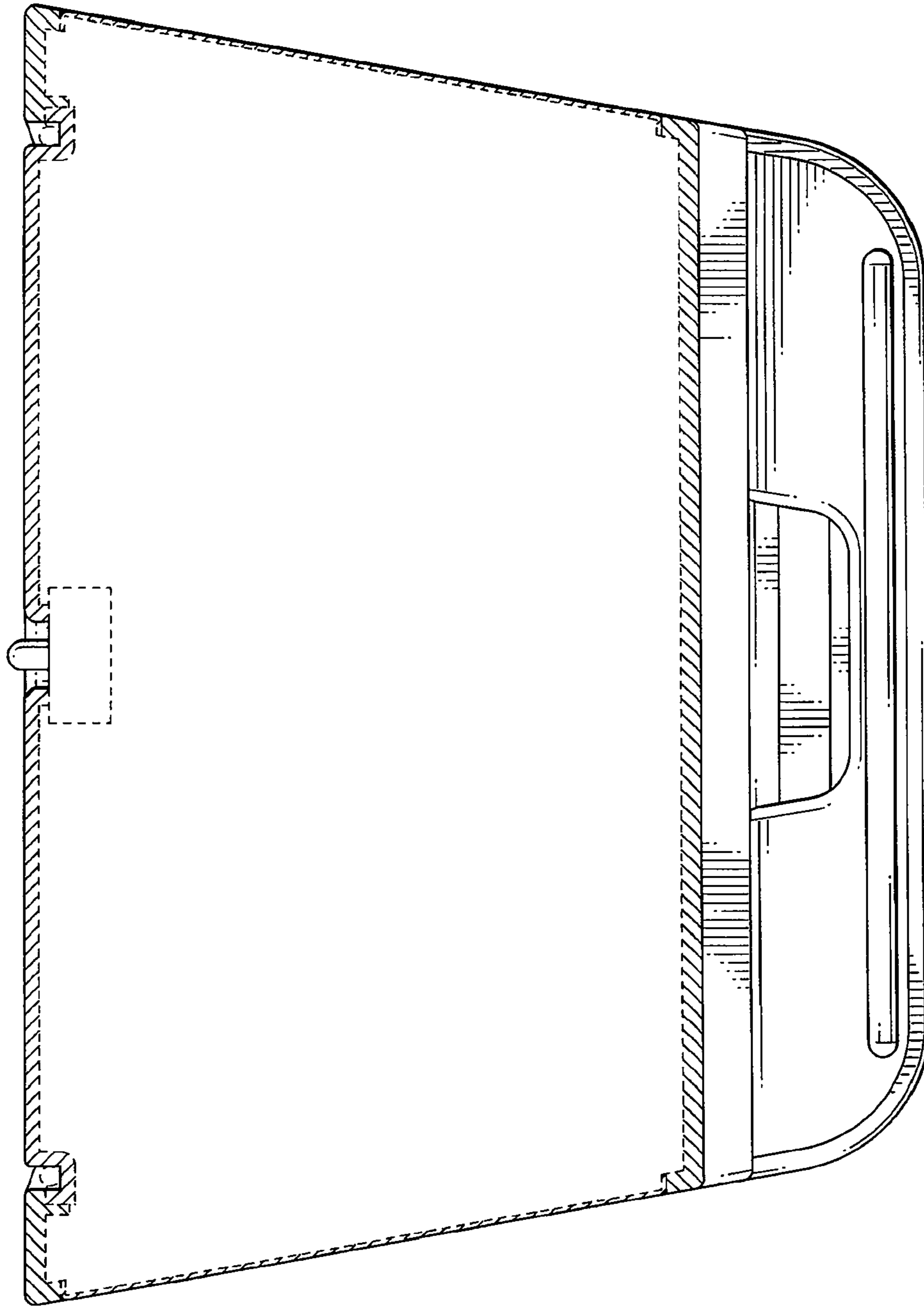


FIG. 8