



US00D593534S

(12) **United States Design Patent**
Hsieh et al.

(10) **Patent No.:** **US D593,534 S**
(45) **Date of Patent:** **** Jun. 2, 2009**

(54) **AUDIO PLAYING ASSEMBLY**

(75) Inventors: **Chih-Wen Hsieh**, Taipei (TW);
Tzu-Ming Yang, Taipei (TW); **Chia-En Lu**, Taipei (TW)

(73) Assignee: **Pegatron Corporation**, Taipei (TW)

(**) Term: **14 Years**

(21) Appl. No.: **29/319,897**

(22) Filed: **Jun. 17, 2008**

(30) **Foreign Application Priority Data**

Apr. 16, 2008 (TW) 97302210

(51) **LOC (9) Cl.** **14-03**

(52) **U.S. Cl.** **D14/189; D14/203.2; D9/549; D23/250**

(58) **Field of Classification Search** D14/137, D14/155, 168, 169, 170-172, 175, 176, 183, D14/188, 189, 193-198, 203.1-203.8, 204, D14/207, 210, 217, 220, 238.1, 341, 496; D9/549, 556-558; 455/90.1-90.3; 369/6-12; 370/342-344; D7/398; D23/223, 238, 245, D23/247, 250, 255, 257

See application file for complete search history.

(56) **References Cited**

U.S. PATENT DOCUMENTS

- 2,838,270 A * 6/1958 Danielson 251/110
- D405,509 S * 2/1999 Doughty et al. D23/252
- D405,792 S * 2/1999 McCorkindale et al. D14/189
- D461,538 S * 8/2002 Gottwald D23/255

- D526,308 S * 8/2006 Kasden D14/207
- D533,924 S * 12/2006 Kirar D23/255
- D570,963 S * 6/2008 Hoernig D23/250
- D580,519 S * 11/2008 Citterio D23/238
- D582,014 S * 12/2008 Spangler D23/250

* cited by examiner

Primary Examiner—Stella M Reid

Assistant Examiner—Keli L Hill

(74) *Attorney, Agent, or Firm*—Muncy, Geissler, Olds & Lowe, PLLC

(57) **CLAIM**

The ornamental design for an audio playing assembly, as shown and described.

DESCRIPTION

FIG. 1 is a perspective view of an audio playing assembly showing our new design;

FIG. 2 is a front elevational view thereof;

FIG. 3 is a rear elevational view thereof;

FIG. 4 is a right side elevational view thereof; the left side being a mirror image thereof;

FIG. 5 is a top elevational view thereof;

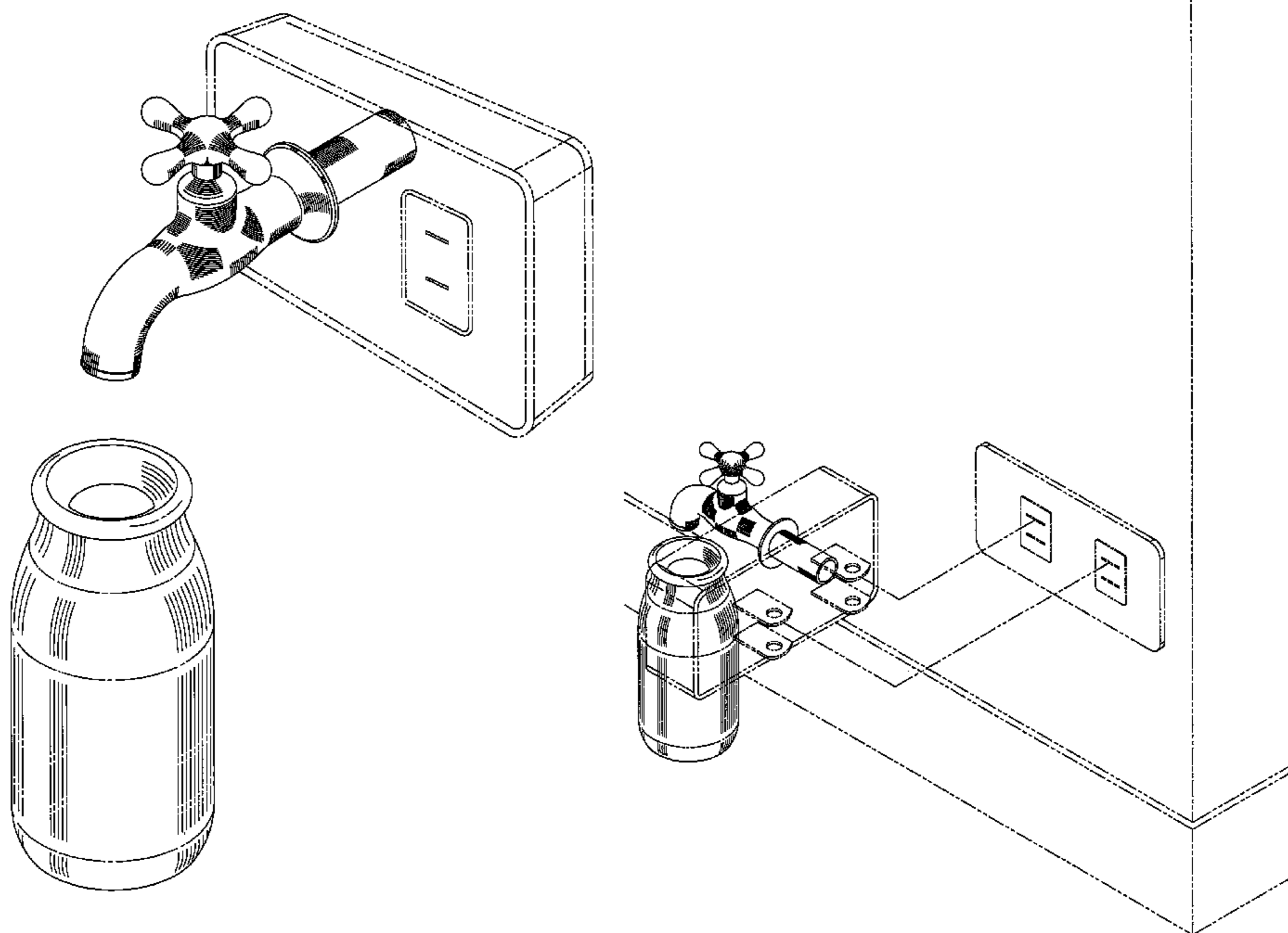
FIG. 6 is a bottom elevational view thereof;

FIG. 7 is a front, right side, top perspective view thereof, shown in an environment of use; and,

FIG. 8 is a rear, left side, top perspective view thereof, shown in another environmental use.

The broken lines are shown for environmental purposes only, and form no part of the claimed design.

1 Claim, 7 Drawing Sheets



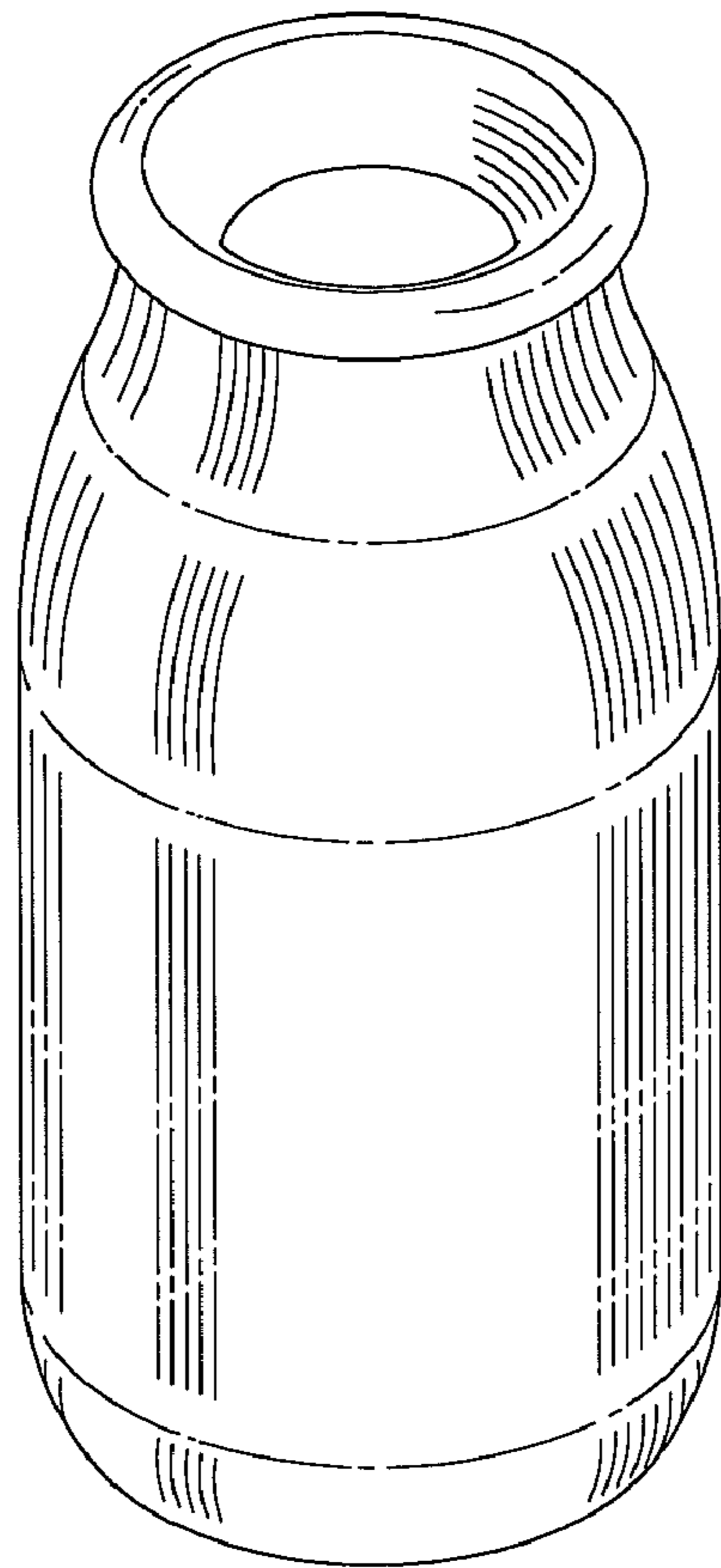
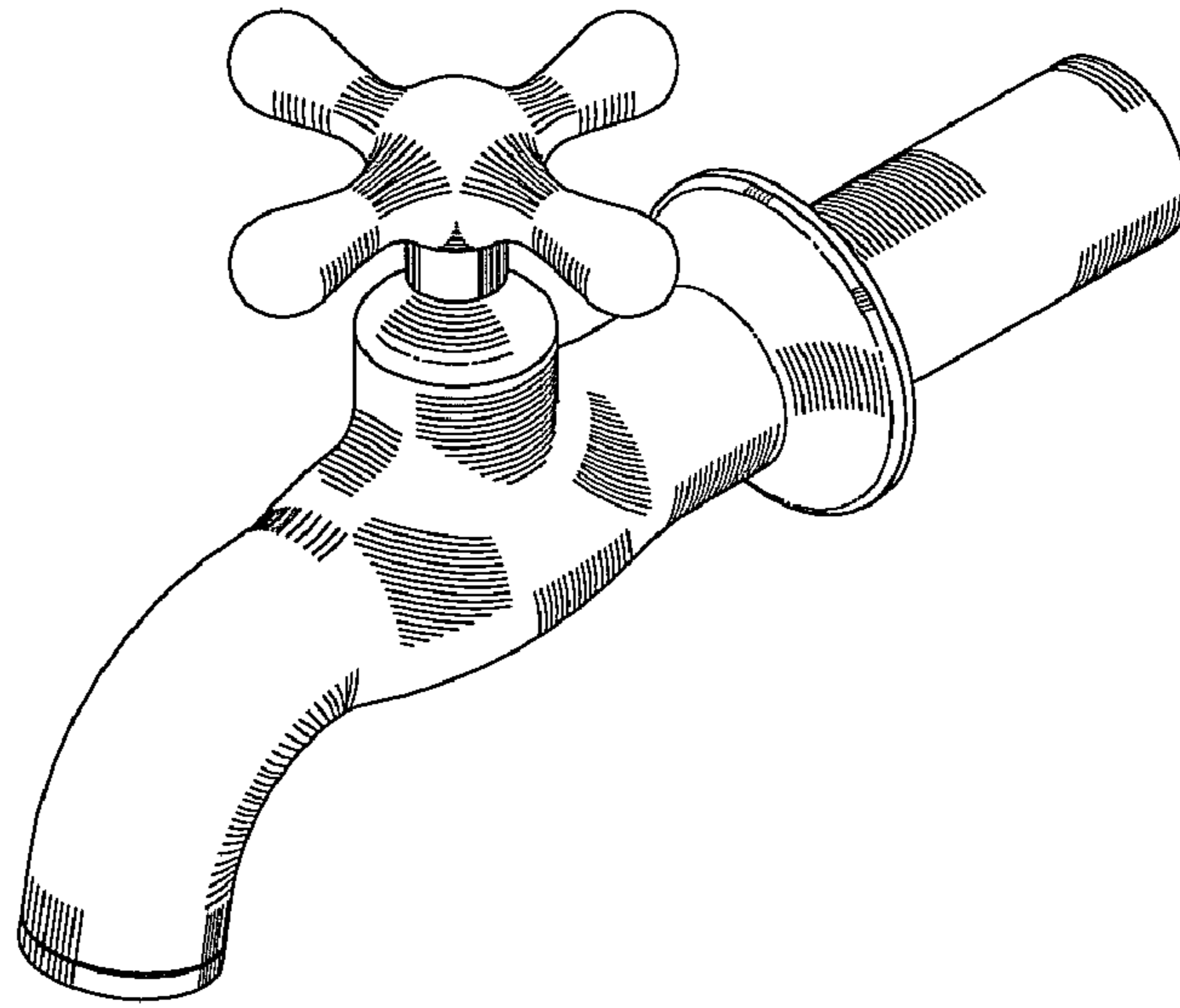


FIG. 1

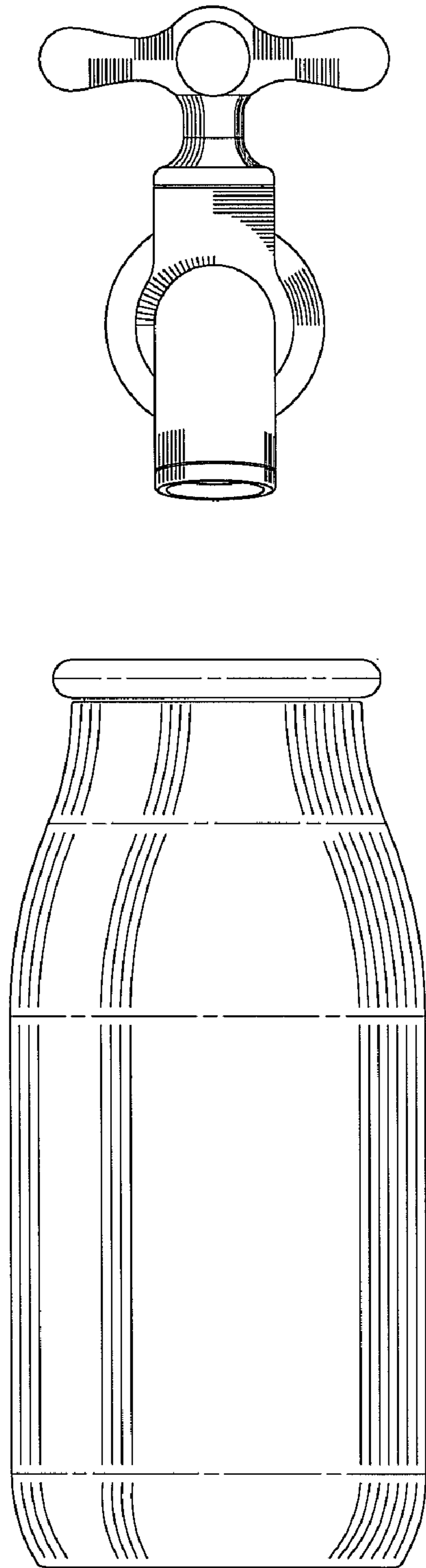


FIG. 2

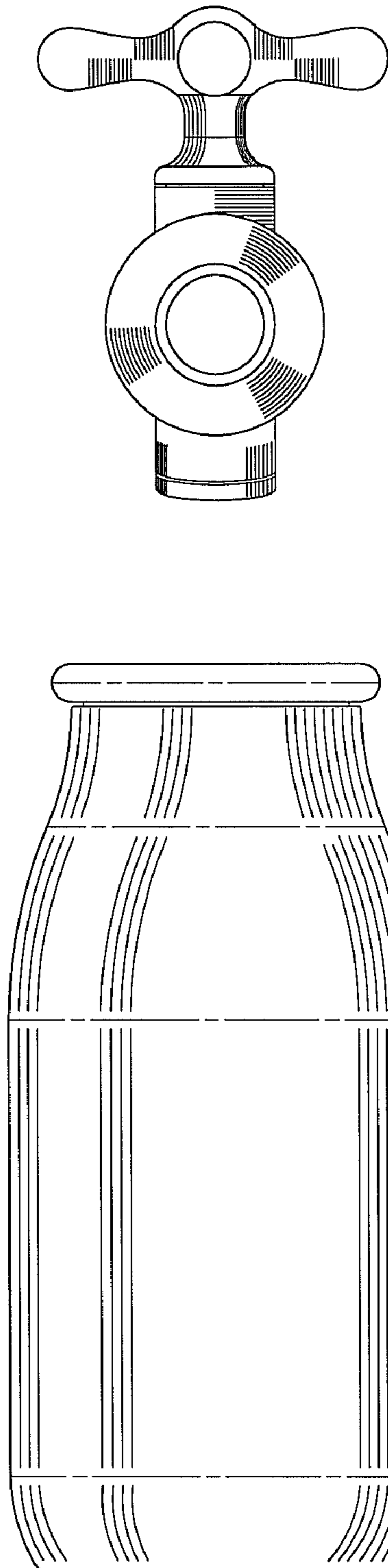


FIG. 3

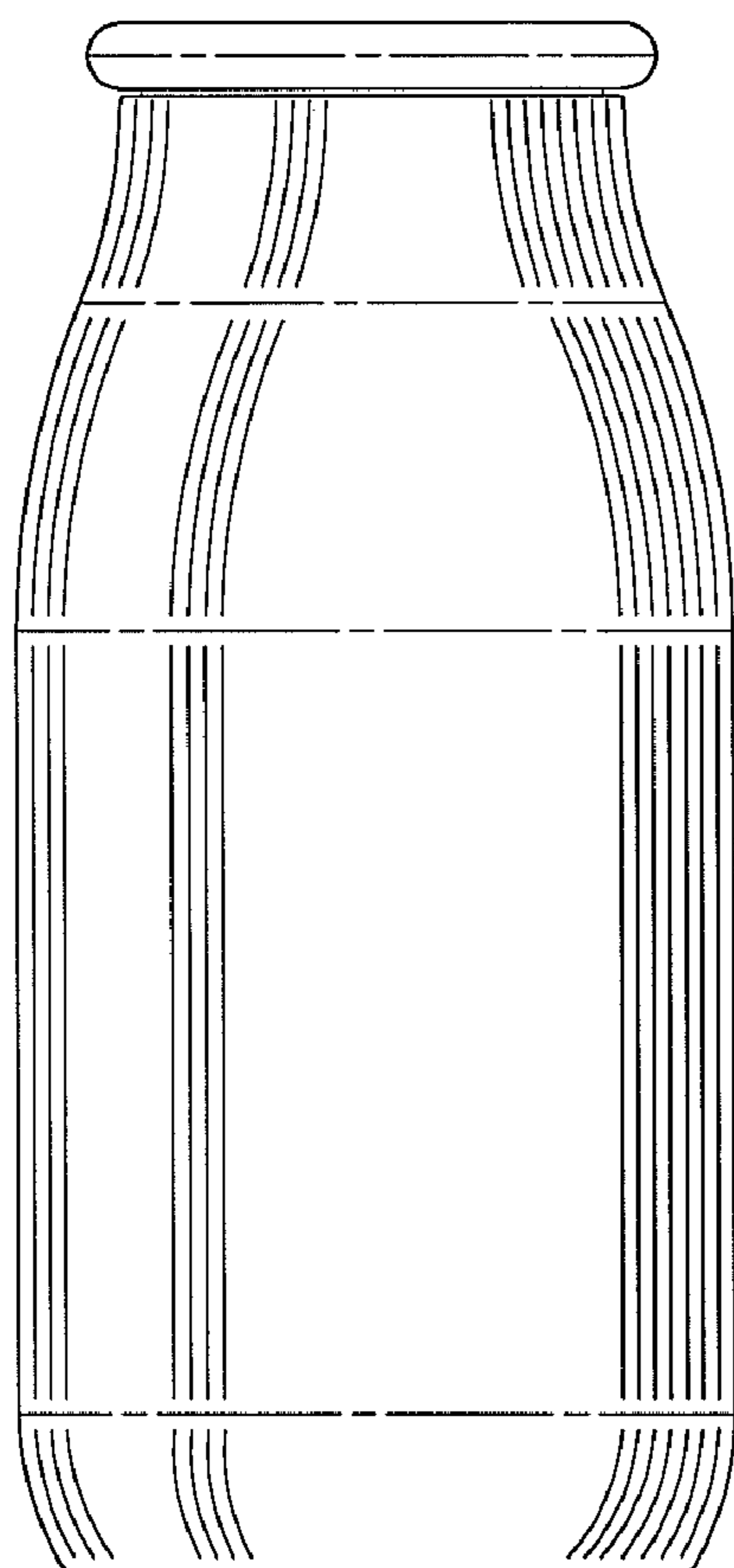
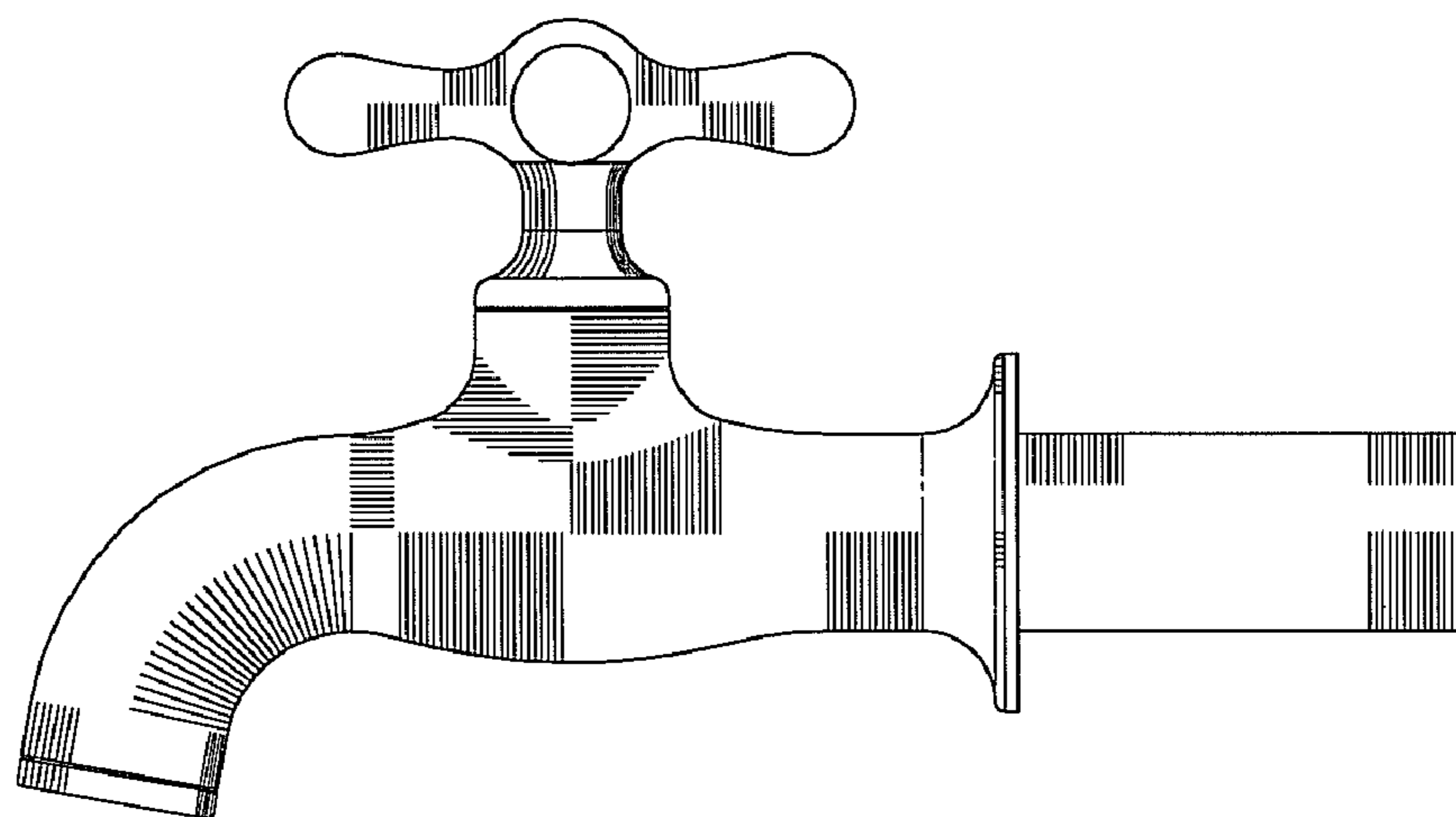


FIG. 4

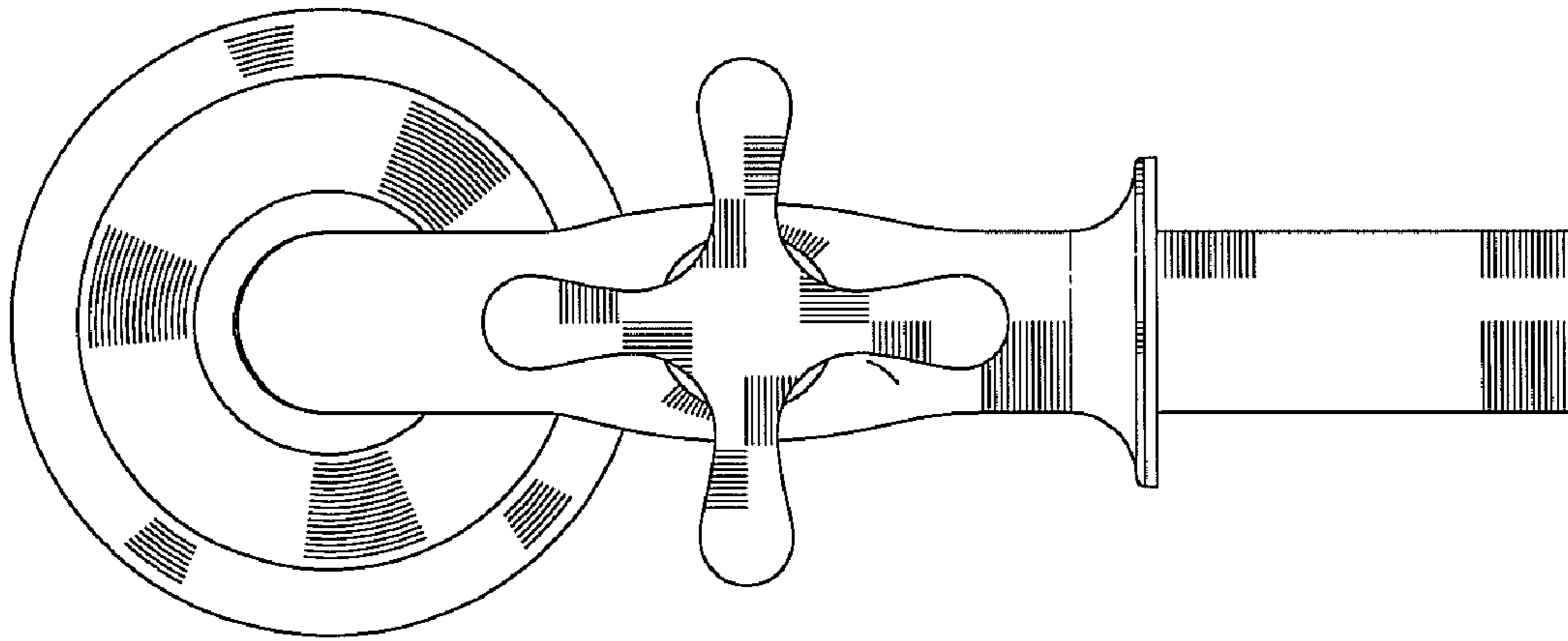


FIG. 5

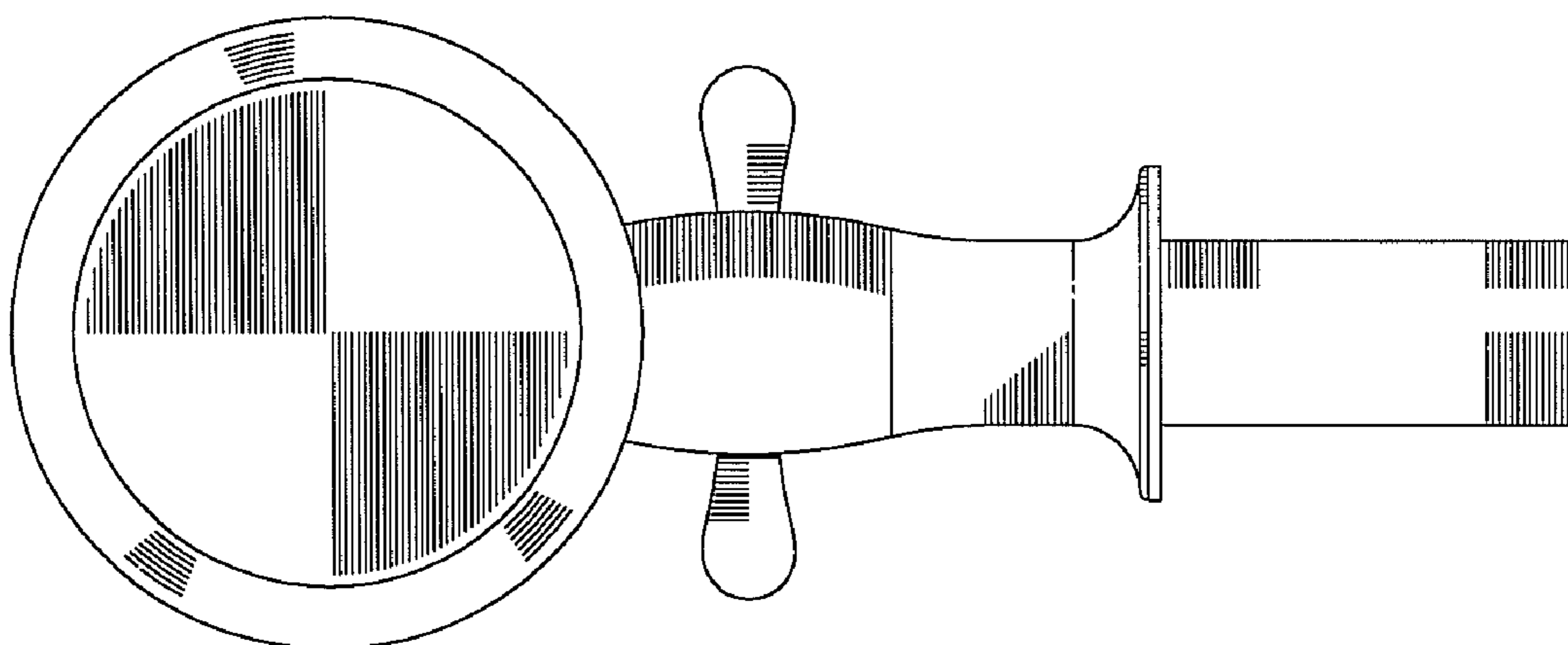


FIG. 6

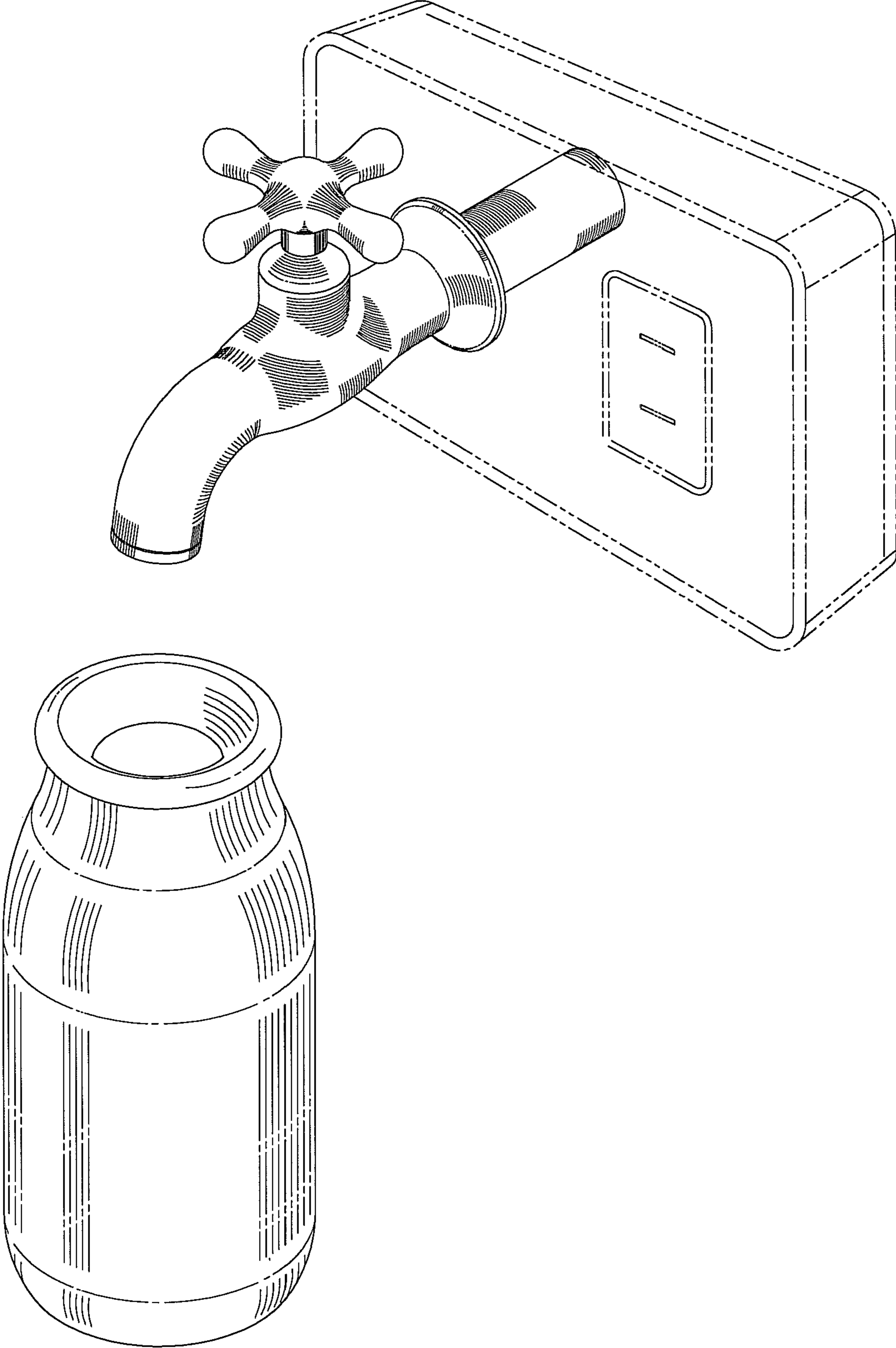


FIG. 7

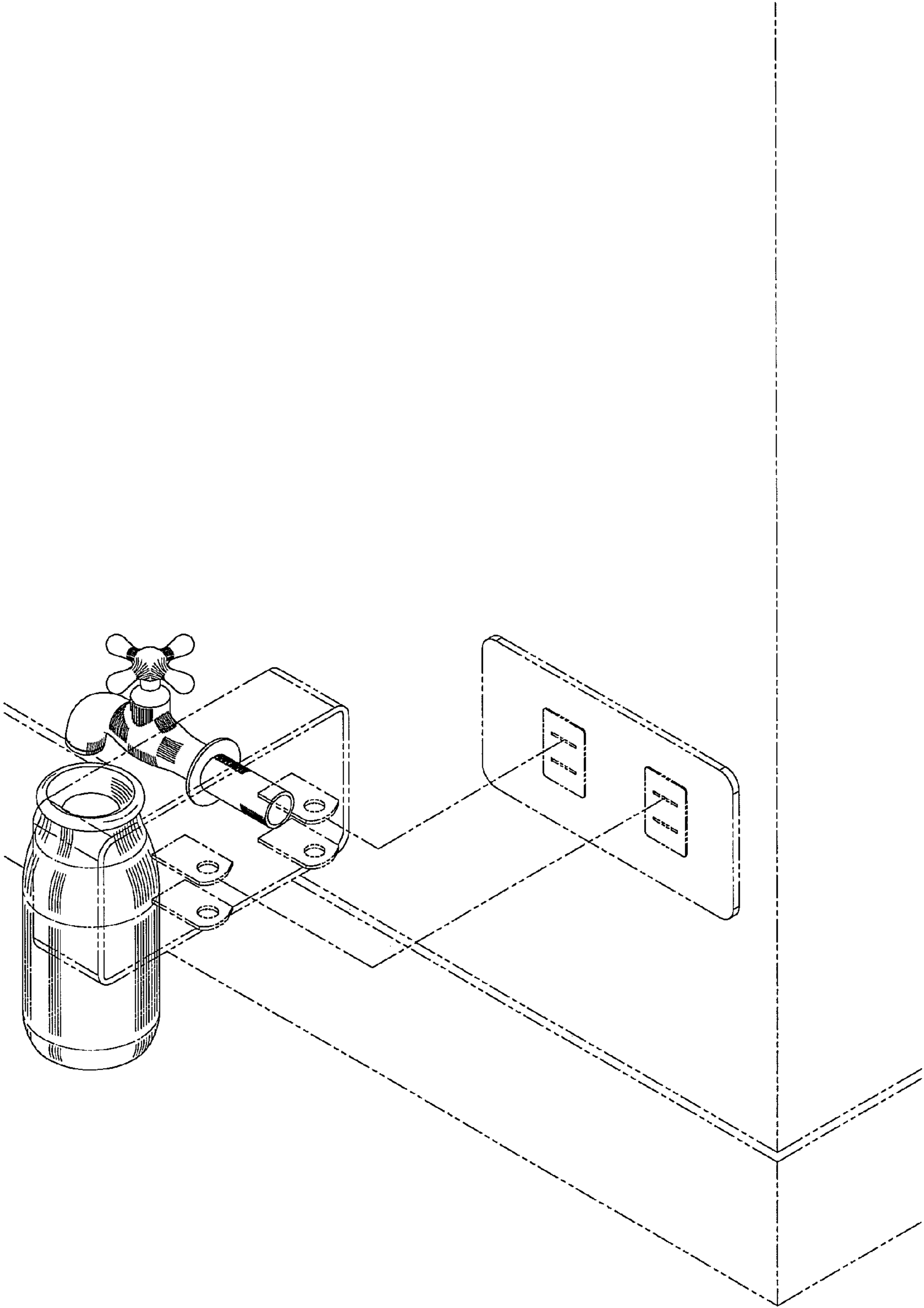


FIG. 8