



US00D593518S

(12) **United States Design Patent**
Hong et al.

(10) **Patent No.:** **US D593,518 S**

(45) **Date of Patent:** **** *Jun. 2, 2009**

(54) **PORTABLE PHONE**

(75) Inventors: **Kwan-Eui Hong**, Seoul (KR);
Hyun-Seop Kim, Seoul (KR);
Chang-Soo Lee, Incheon-Si (KR)

(73) Assignee: **Samsung Electronics Co., Ltd.**,
Suwon-Si (KR)

(*) Notice: This patent is subject to a terminal disclaimer.

(**) Term: **14 Years**

(21) Appl. No.: **29/290,659**

(22) Filed: **Dec. 31, 2007**

(30) **Foreign Application Priority Data**

Sep. 18, 2007 (KR) 30-2007-0039800

(51) **LOC (9) Cl.** **14-03**

(52) **U.S. Cl.** **D14/138 AD**

(58) **Field of Classification Search** D14/137,
D14/138, 147, 191, 218, 247-248, 341-347,
D14/496; D10/65, 78, 104; D13/168; D18/7;
455/556.1, 566, 575.1, 575.3; 345/169

See application file for complete search history.

(56) **References Cited**

U.S. PATENT DOCUMENTS

| | | | | |
|----------------|---------|--------------------|-------|-----------|
| D495,695 S * | 9/2004 | Yugaya | | D14/346 |
| D503,699 S * | 4/2005 | Lee et al. | | D14/138 |
| D509,202 S * | 9/2005 | Lee et al. | | D14/138 |
| D515,060 S * | 2/2006 | Lee et al. | | D14/138 |
| D526,301 S * | 8/2006 | Shin | | D14/138 |
| D528,532 S * | 9/2006 | Dimitriadis et al. | | D14/138 |
| D529,474 S * | 10/2006 | Park et al. | | D14/138 |
| D530,297 S * | 10/2006 | Moon et al. | | D14/138 |
| D536,691 S * | 2/2007 | Park | | D14/138 |
| D550,640 S * | 9/2007 | Dai | | D14/138 |
| 7,269,450 B2 * | 9/2007 | Lee et al. | | 455/575.1 |
| D552,579 S * | 10/2007 | Lee et al. | | D14/138 |
| D553,115 S * | 10/2007 | Suk et al. | | D14/138 |

| | | | | |
|-------------------|---------|-------------|-------|-----------|
| D553,596 S * | 10/2007 | Kim et al. | | D14/138 |
| D553,599 S * | 10/2007 | Lee et al. | | D14/138 |
| D557,245 S * | 12/2007 | Kim et al. | | D14/138 |
| D558,789 S * | 1/2008 | Yu et al. | | D14/496 |
| D562,298 S * | 2/2008 | Yoon | | D14/138 |
| D563,369 S * | 3/2008 | Kim et al. | | D14/138 |
| D563,929 S * | 3/2008 | Park | | D14/138 |
| D567,795 S * | 4/2008 | Cha et al. | | D14/138 |
| D570,816 S * | 6/2008 | Lee et al. | | D14/138 |
| 2005/0090298 A1 * | 4/2005 | Park et al. | | 455/575.4 |
| 2005/0124388 A1 * | 6/2005 | Seo et al. | | 455/566 |
| 2005/0255897 A1 * | 11/2005 | Lee et al. | | 455/575.4 |
| 2008/0004084 A1 * | 1/2008 | Park | | 455/566 |

OTHER PUBLICATIONS

Bird D736, announced 2007, [online], [retrieved on Aug. 6, 2007].
Retrieved from Internet ,<URL: <http://www.gsmarena.com>>.*

(Continued)

Primary Examiner—Jeffrey D Asch
Assistant Examiner—Bridget L Eland
(74) *Attorney, Agent, or Firm*—Staas & Halsey LLP

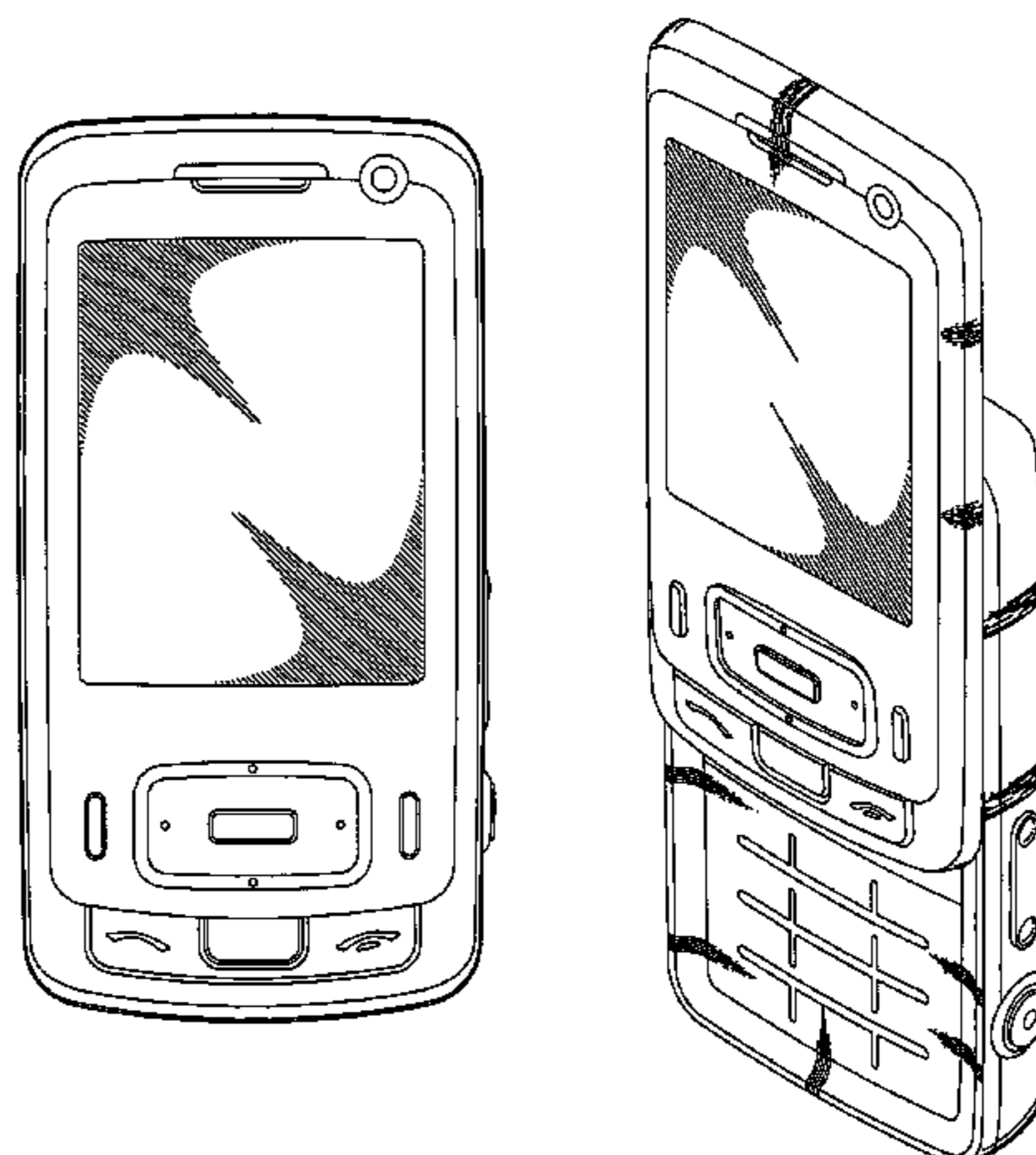
(57) **CLAIM**

The ornamental design for a portable phone, as shown and described.

DESCRIPTION

FIG. 1 is a perspective view of a portable phone;
FIG. 2 is a front view of the portable phone of FIG. 1;
FIG. 3 is a rear view of the portable phone of FIG. 1;
FIG. 4 is a left-side view of the portable phone of FIG. 1;
FIG. 5 is a right-side view of the portable phone of FIG. 1;
FIG. 6 is a top plan view of the portable phone of FIG. 1;
FIG. 7 is a bottom plan view of the portable phone of FIG. 1;
FIG. 8 is an open front view of the portable phone of FIG. 1;
FIG. 9 is another rear view of the portable phone of FIG. 1,
displaying camera when a cover is slid downward; and,
FIG. 10 is an open perspective view of the portable phone of
FIG. 1.

1 Claim, 8 Drawing Sheets



OTHER PUBLICATIONS

Philips 960, announced Jul. 2005, [online], [retrieved on Feb. 20, 2007]. Retrieved from Internet ,<URL: <http://www.gsmarena.com>>.*

Samsung i750, announced 1st quarter 2005, [online], [retrieved on Feb. 8, 2007]. Retrieved from Internet ,<URL: <http://www.gsmarena.com>>.*

Samsung G800, announced Oct. 2007, [online], [retrieved on Dec. 13, 2007]. Retrieved from Internet ,<URL: <http://www.gsmarena.com>>.*

Samsung P960, announced Feb. 2008, [online], [retrieved on Mar. 21, 2008]. Retrieved from Internet ,<URL: <http://www.gsmarena.com>>.*

* cited by examiner

FIG. 1

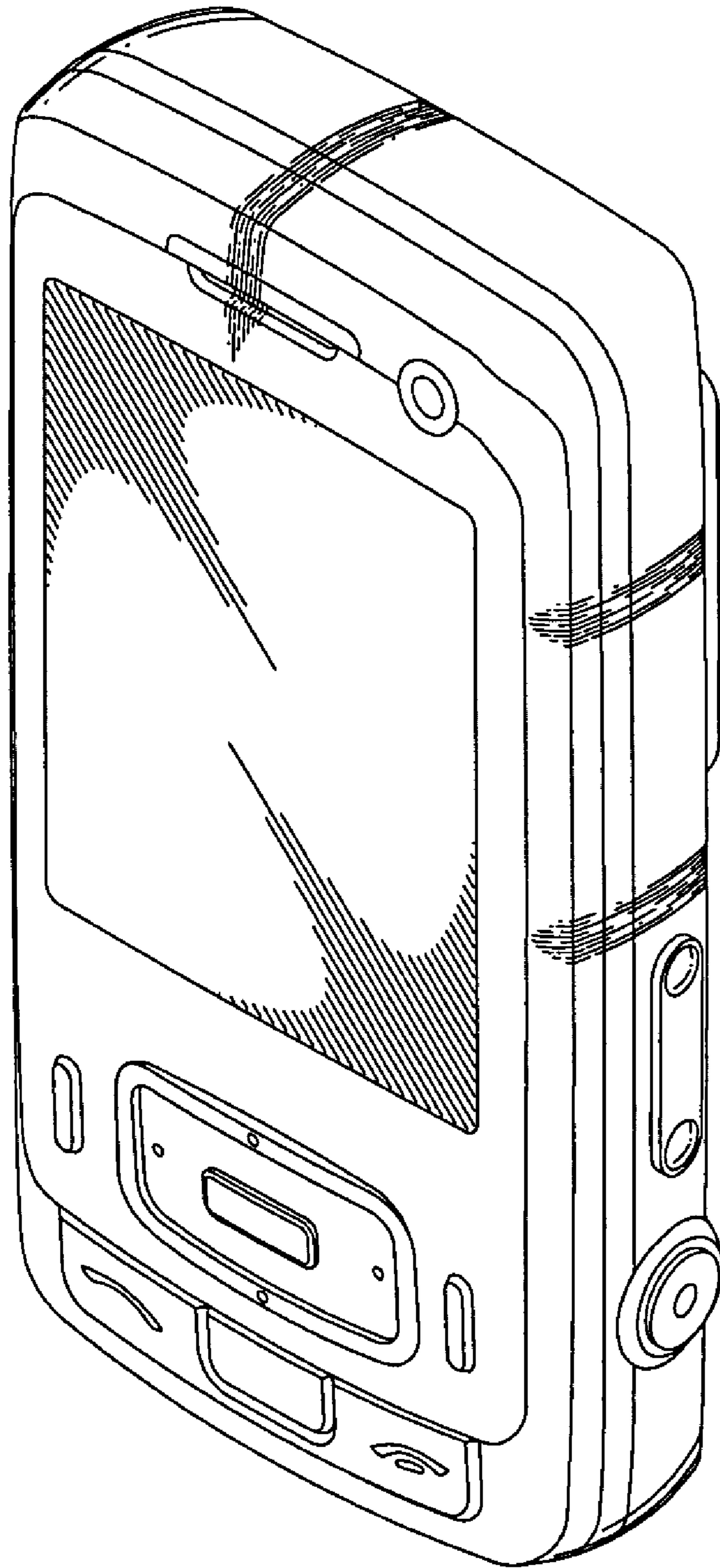


FIG. 2

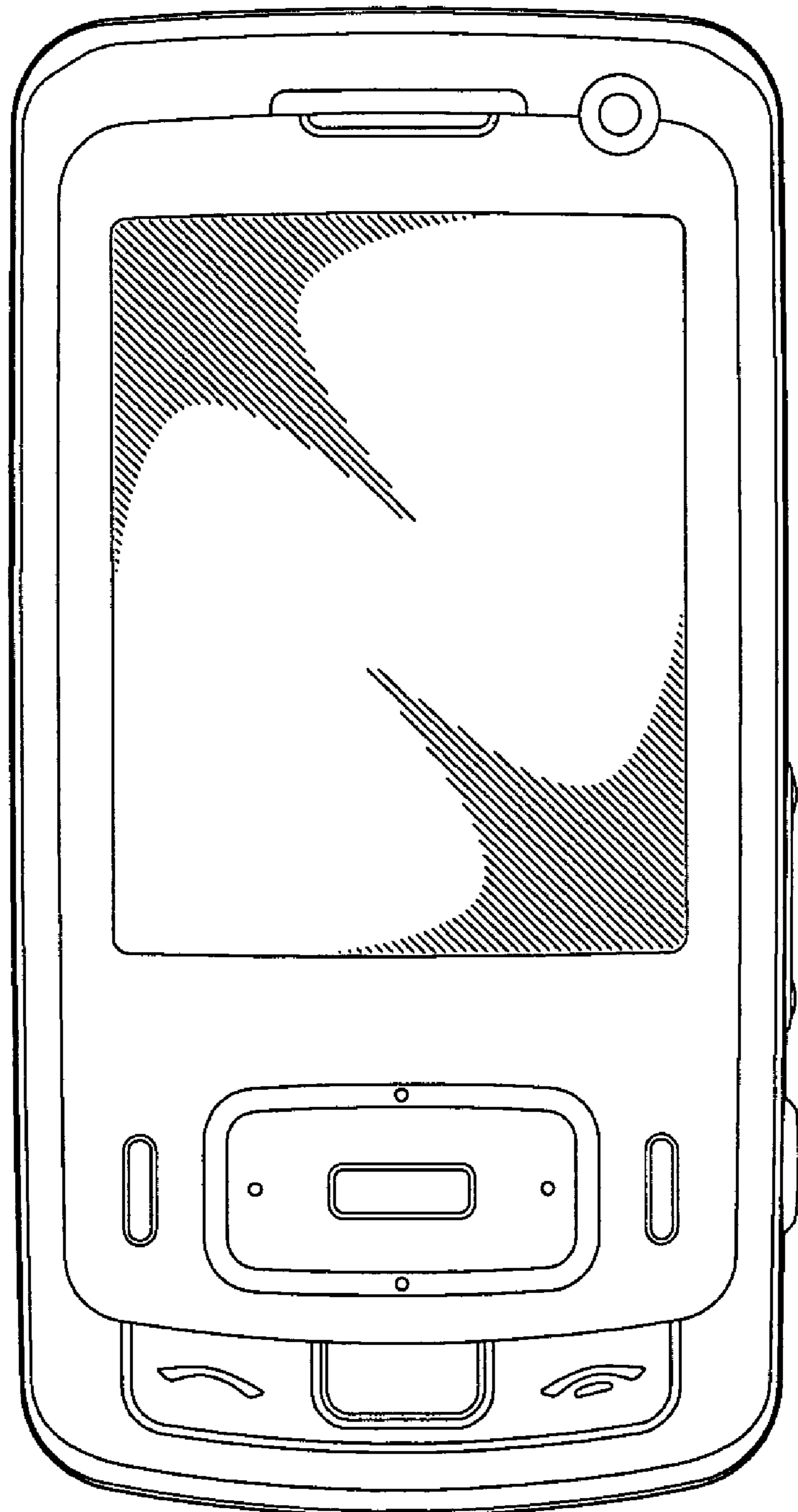


FIG. 3

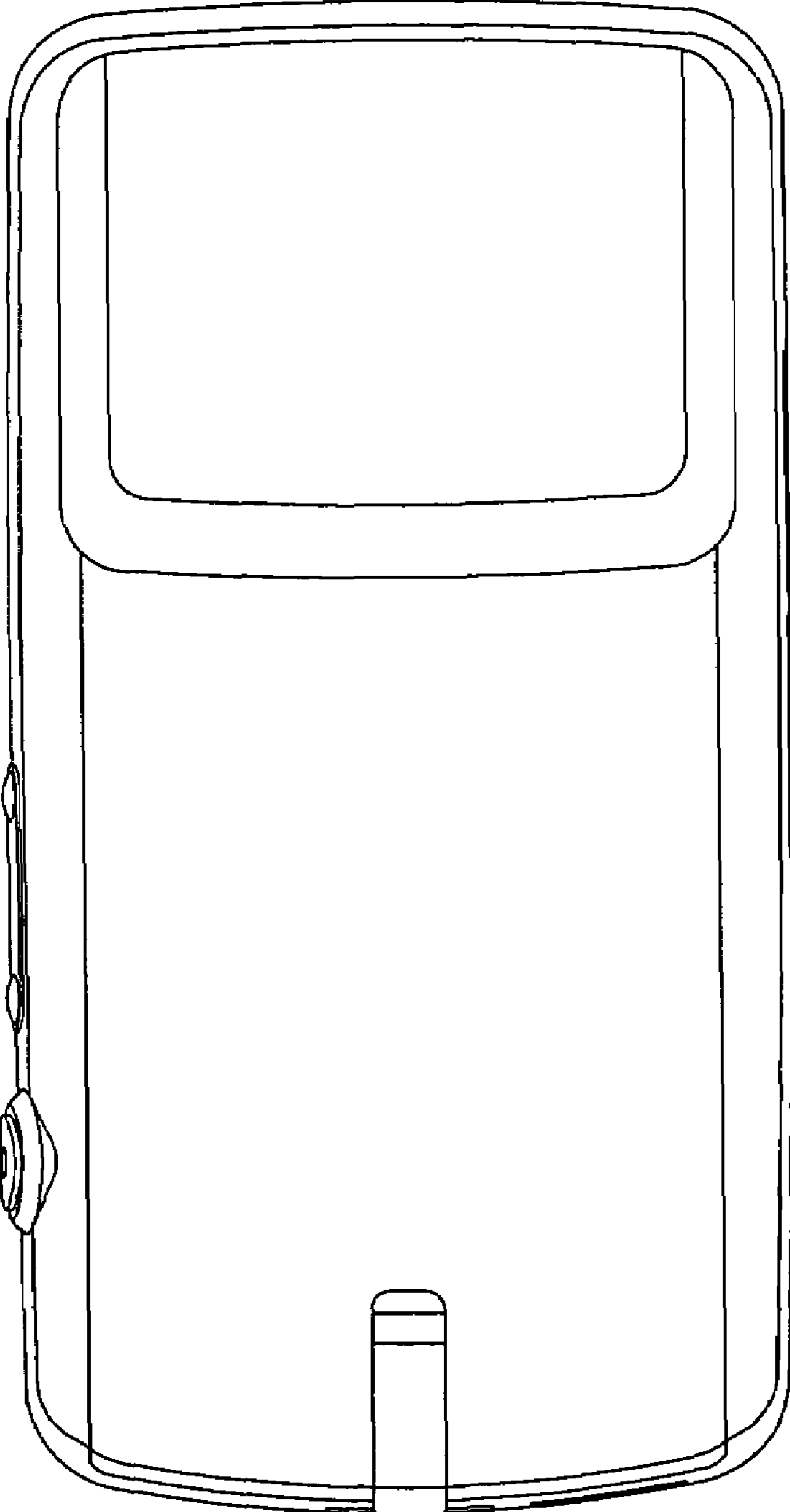


FIG. 4

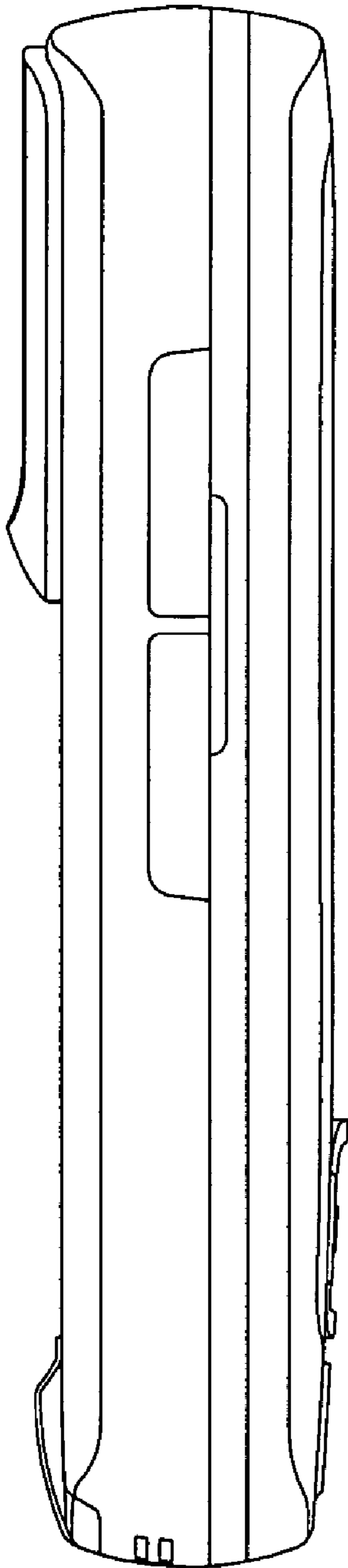


FIG. 5

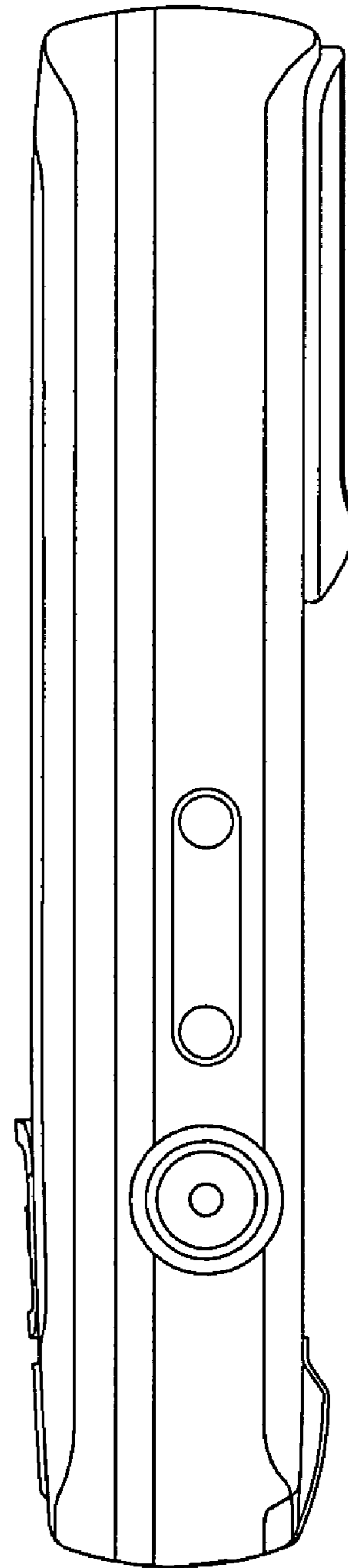


FIG. 6

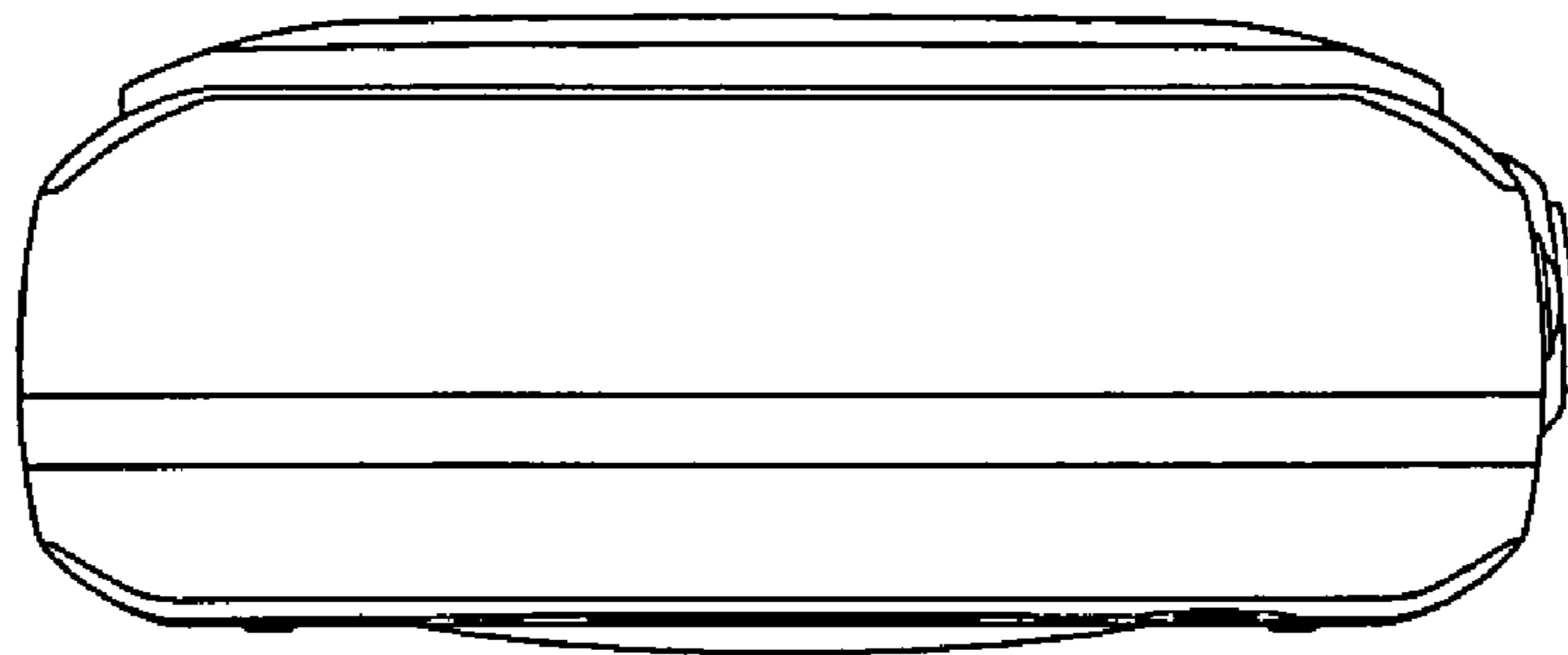


FIG. 7

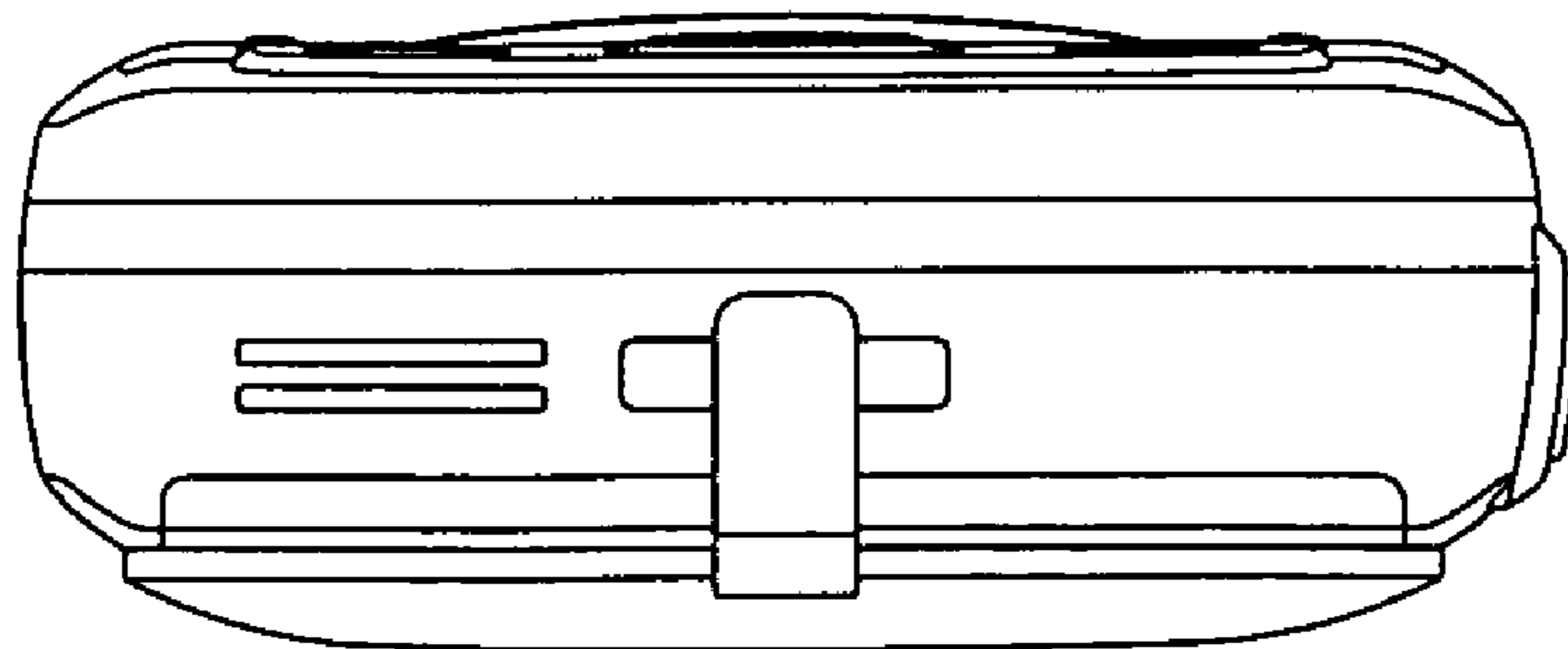


FIG. 8

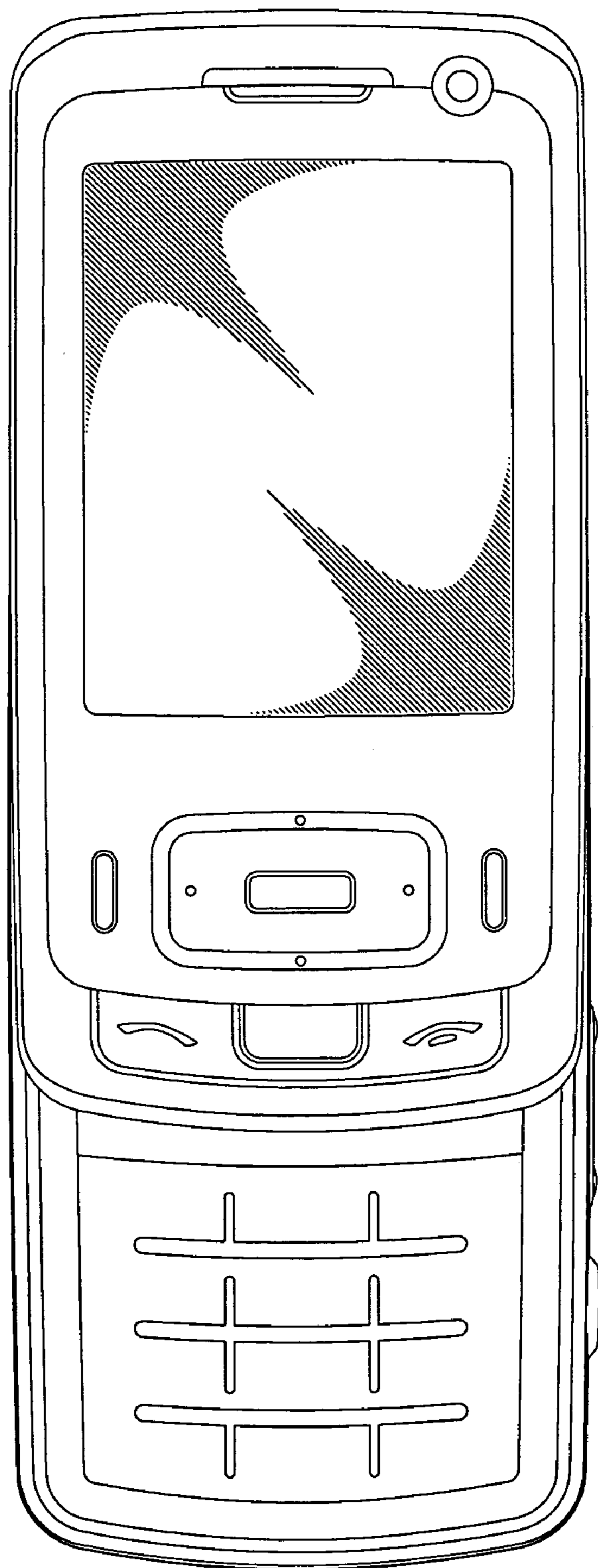


FIG. 9

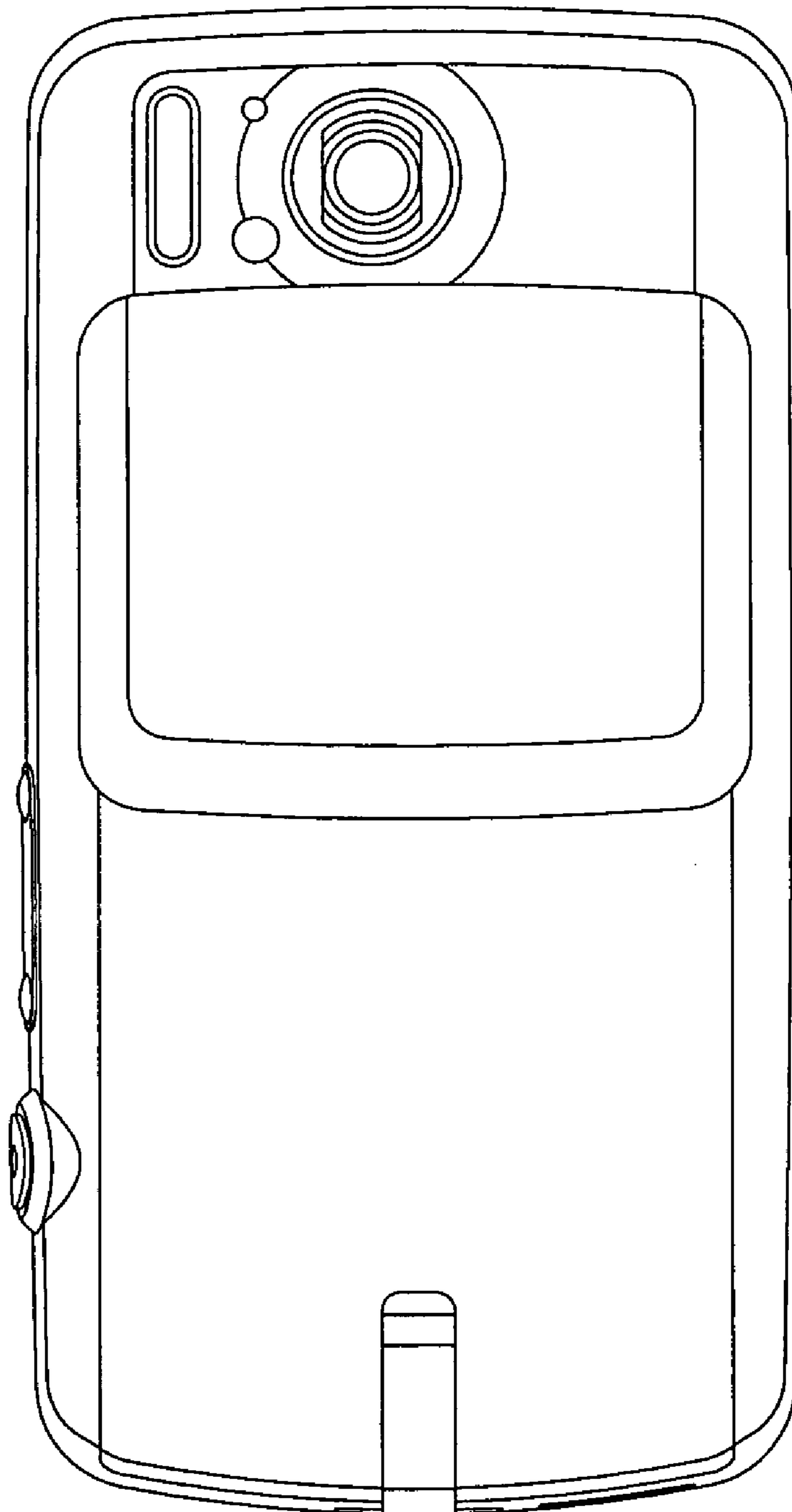


FIG. 10

