



US00D593516S

(12) **United States Design Patent**
Orne et al.

(10) **Patent No.:** **US D593,516 S**
(45) **Date of Patent:** **** Jun. 2, 2009**

(54) **OUTDOOR DISPLAY SYSTEM**

(75) Inventors: **Richard Orne**, Los Angeles, CA (US);
Chris Roe, San Marcos, CA (US);
Kristin Gray, Dallas, TX (US); **David Gales**, Venice, CA (US); **Ken Reese**, Dallas, TX (US)

(73) Assignee: **VMN, L.P.**, Dallas, TX (US)

(**) Term: **14 Years**

(21) Appl. No.: **29/288,898**

(22) Filed: **Jun. 26, 2007**

(51) **LOC (9) Cl.** **14-03**

(52) **U.S. Cl.** **D14/127**

(58) **Field of Classification Search** D14/125-134,
D14/239, 371, 136, 374-377, 440, 450, 448,
D14/336, 342; 312/7.2; 348/836, 838, 180,
348/184, 325, 739; 341/12; 248/917-924,
248/465; 345/104, 133, 156, 168, 87, 173;
720/605, 669, 600, 655; 369/99, 197; 455/344,
455/347; D21/329, 515, 577, 622, 333, 433,
D21/448, 452, 450, 331; D6/477, 479; 273/148 B;
446/484, 175, 356; D10/15, 26

See application file for complete search history.

(56) **References Cited**

U.S. PATENT DOCUMENTS

5,537,127	A *	7/1996	Jingu	248/921
5,631,715	A *	5/1997	Kirkpatrick et al.	312/7.2
5,708,528	A *	1/1998	Furuya	359/457
5,818,639	A *	10/1998	Furuya	359/455
5,926,153	A *	7/1999	Ohishi et al.	345/1.1
D439,223	S *	3/2001	Sheckler	D14/125

D440,543	S *	4/2001	Kodimer	D14/127
6,501,441	B1 *	12/2002	Ludtke et al.	345/1.1
6,519,085	B2 *	2/2003	Brandt	359/449
6,594,078	B2 *	7/2003	Clifton et al.	348/383
7,148,934	B2 *	12/2006	Yuan et al.	348/789
D579,888	S *	11/2008	Lunde et al.	D14/127
D581,380	S *	11/2008	Derocher et al.	D14/127

* cited by examiner

Primary Examiner—Raphael Barkai

(74) *Attorney, Agent, or Firm*—Haynes and Boone, LLP

(57) **CLAIM**

The ornamental design for an outdoor display system, as shown and described.

DESCRIPTION

FIG. 1 is a perspective view of the outdoor display system showing our new design;

FIG. 2 is a top plan view thereof;

FIG. 3 is an elevational view thereof taken along line 3—3 of FIG. 2;

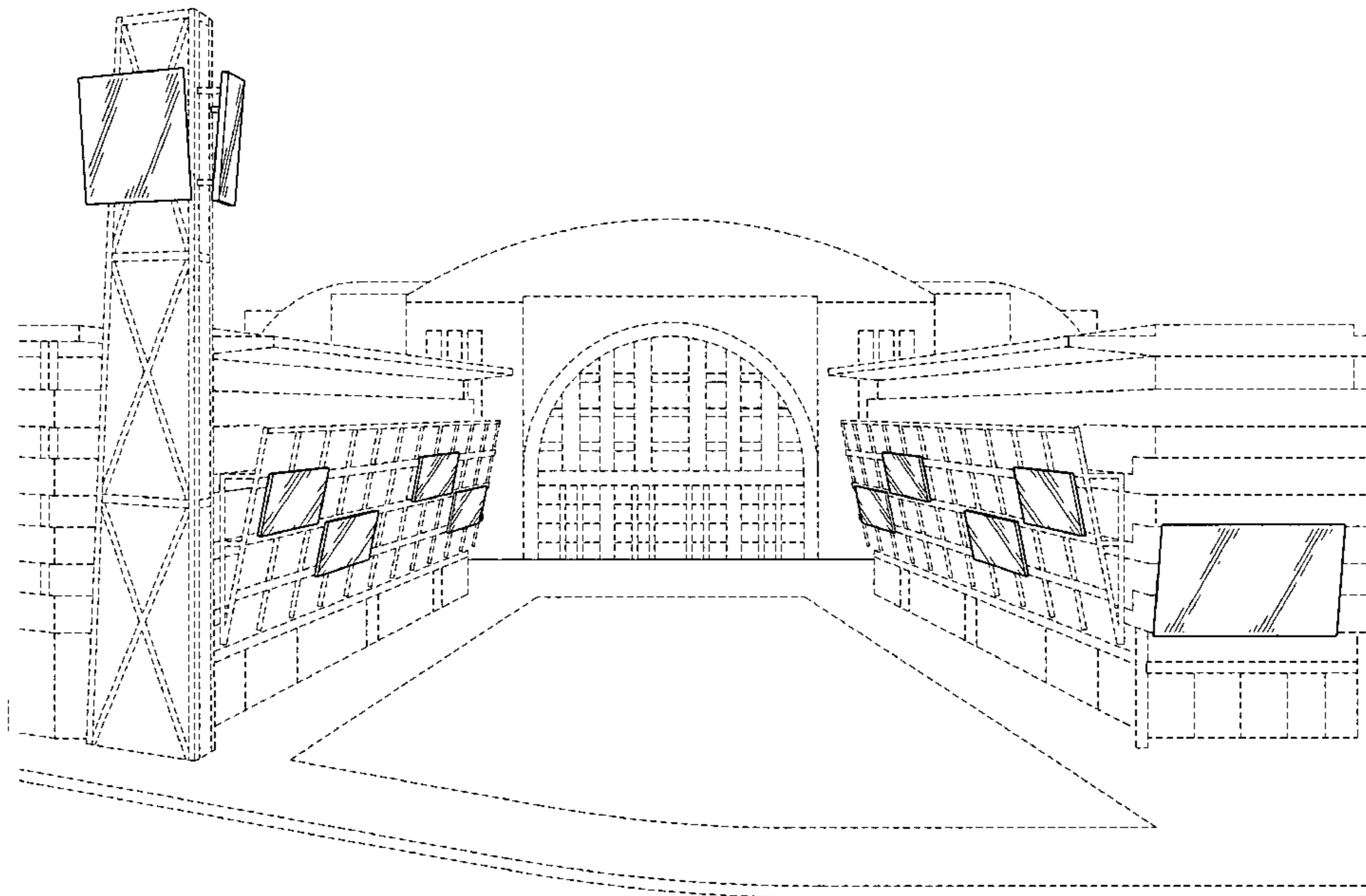
FIG. 4 is an elevational view thereof taken along line 4—4 of FIG. 2;

FIG. 5 is a perspective view of a portion of the outdoor display system, but showing the portion in a different configuration than that shown in FIGS. 1, 2, 3 and 4; and,

FIGS. 6, 7, 8, 9, 10, 11, 12 and 13 are views similar to that of FIG. 5, but showing the portion of the outdoor display system in different configurations.

Any broken line illustration of environmental structure in the drawings is not part of the design sought to be patented.

1 Claim, 6 Drawing Sheets



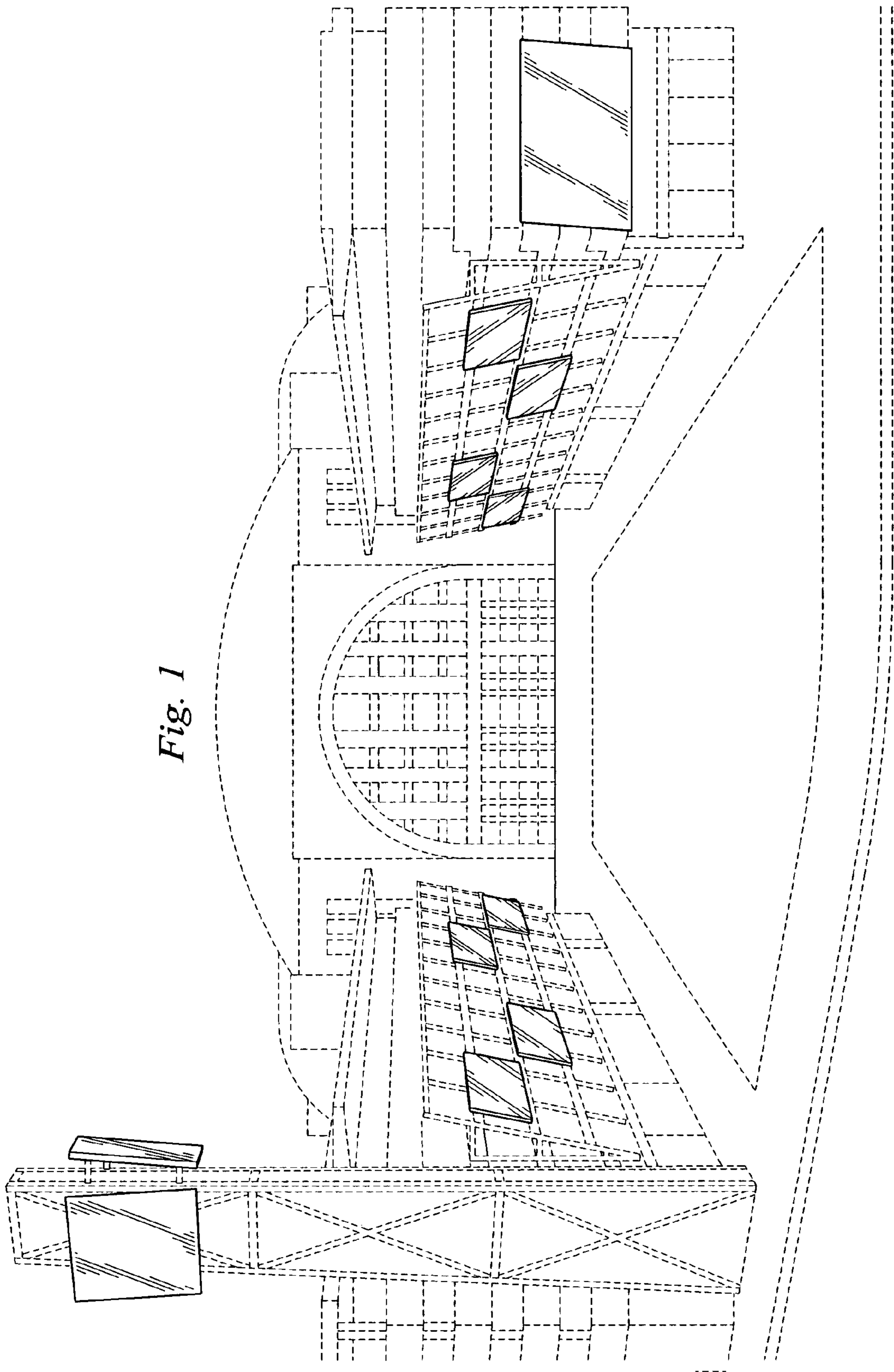


Fig. 1

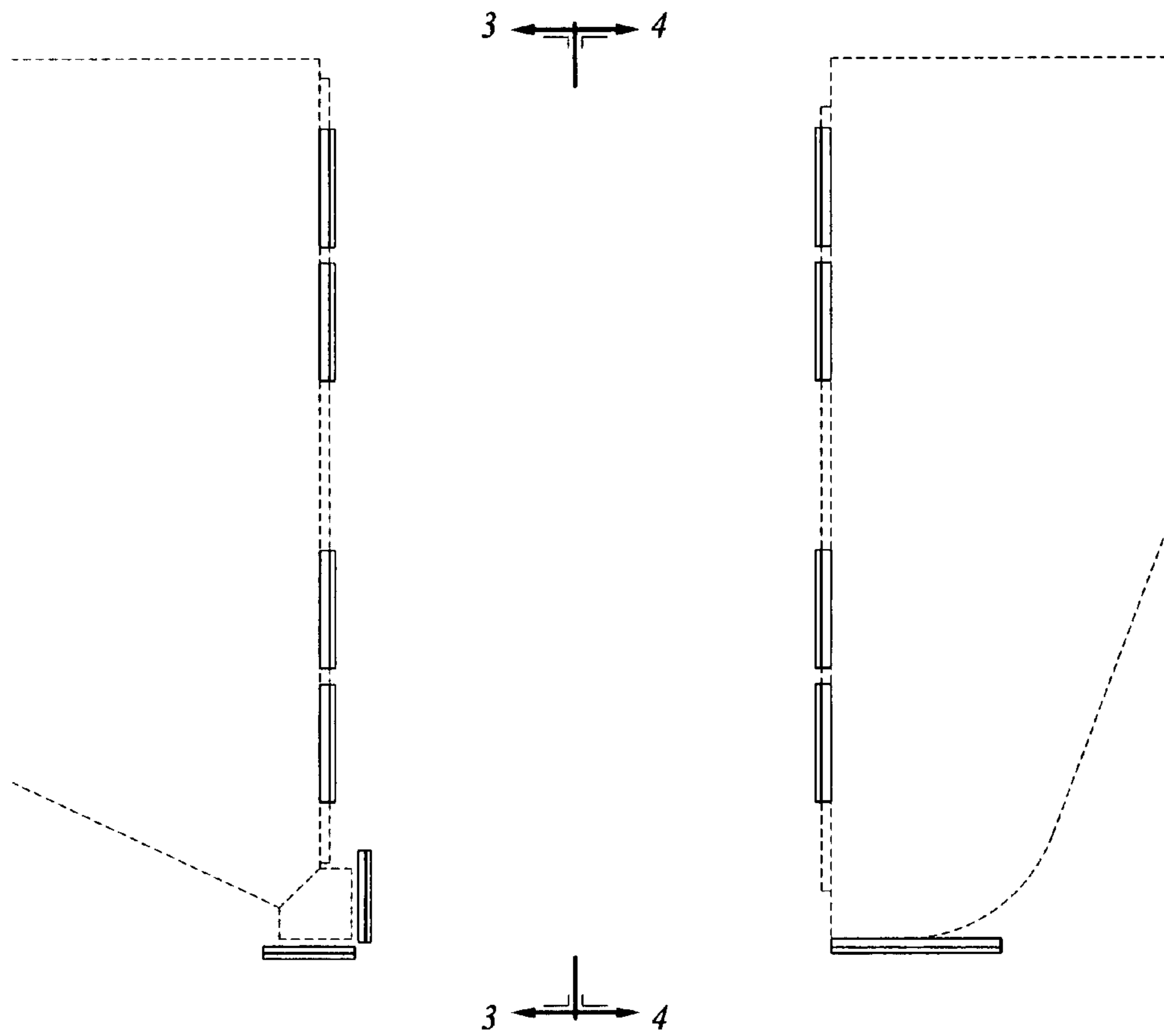
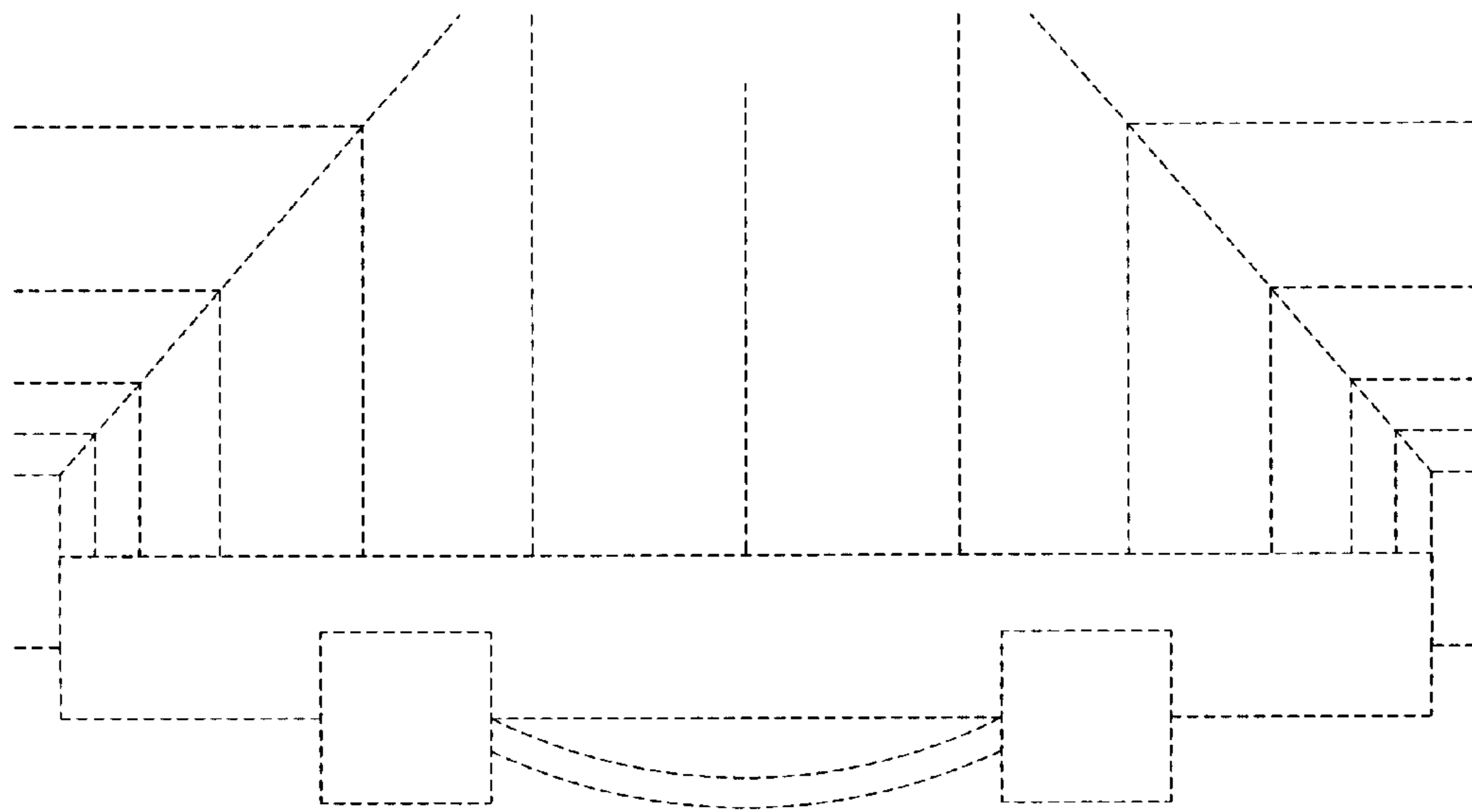


Fig. 2

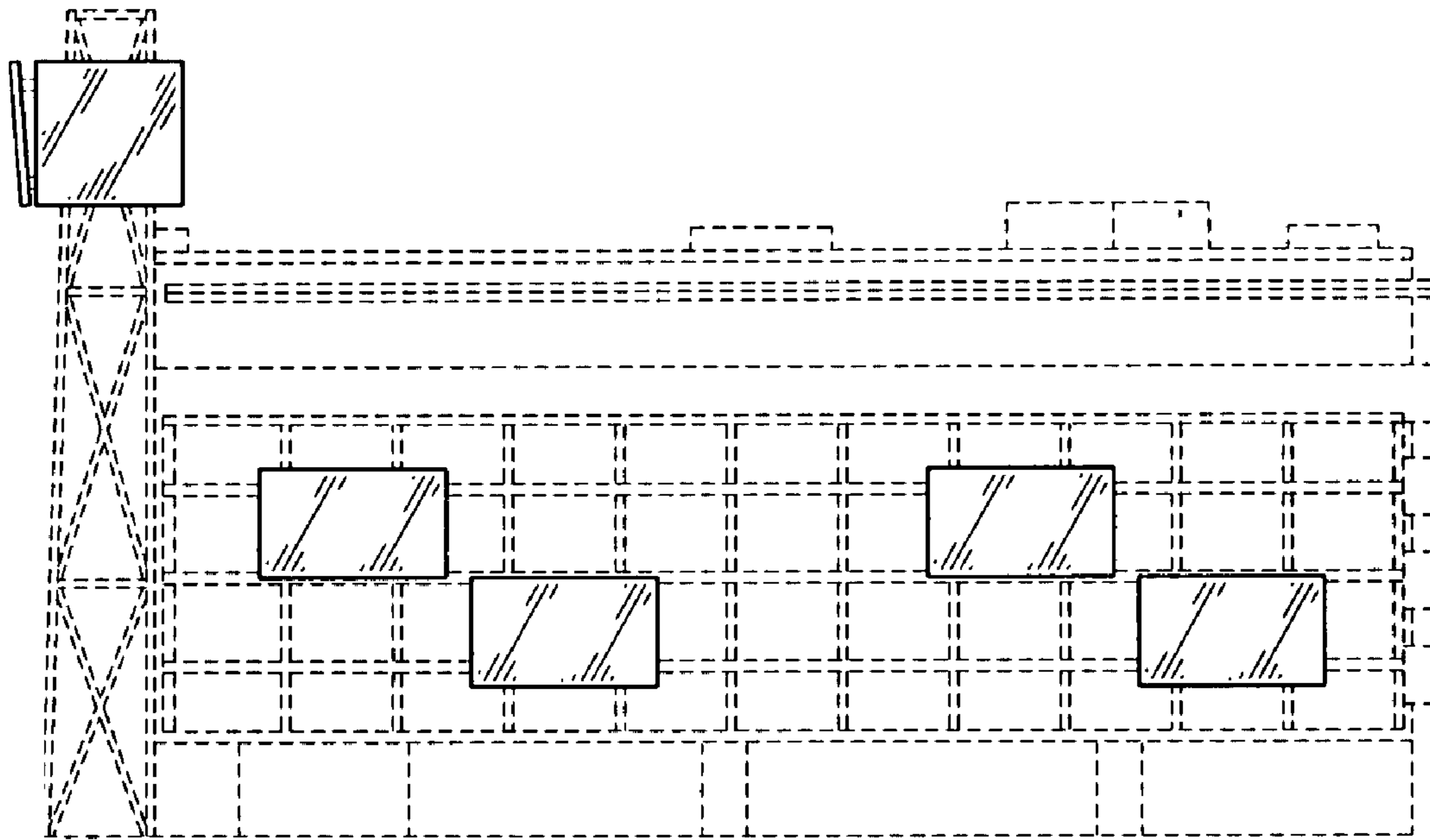


Fig. 3

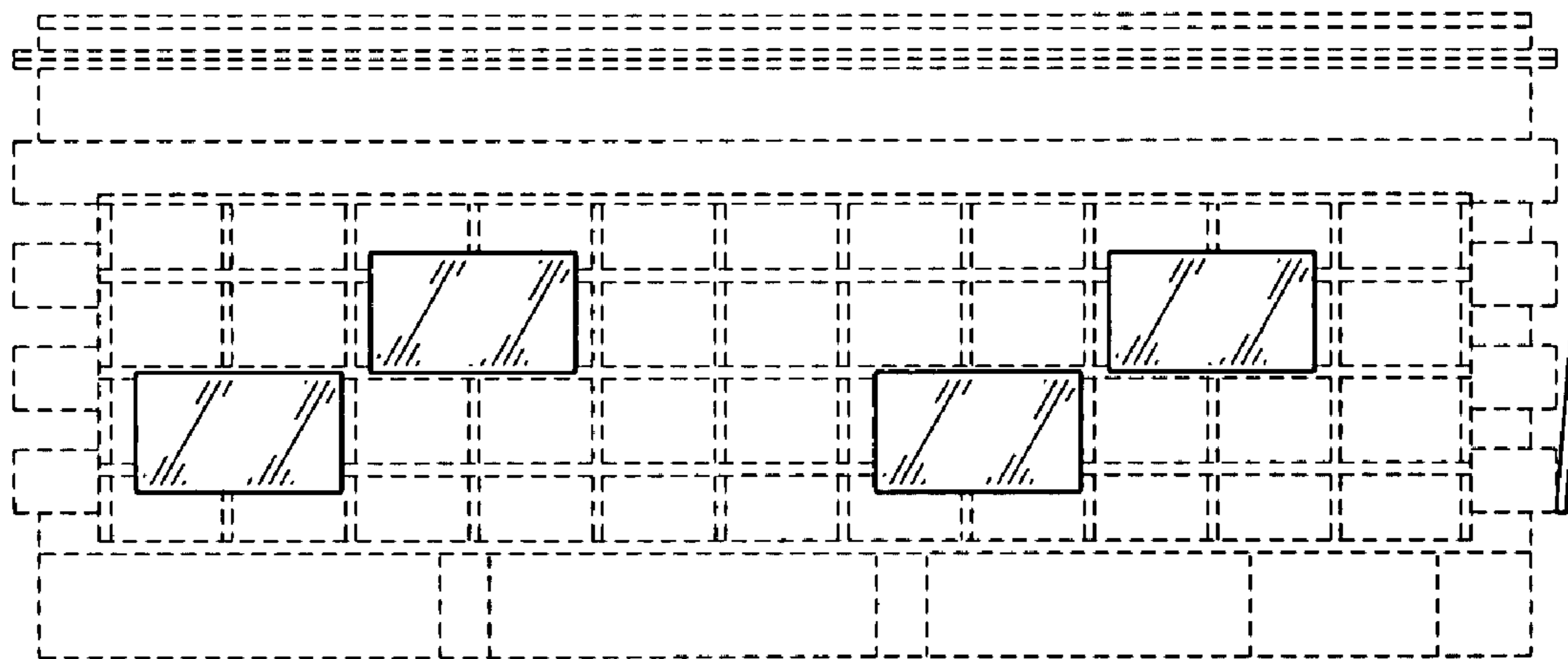


Fig. 4

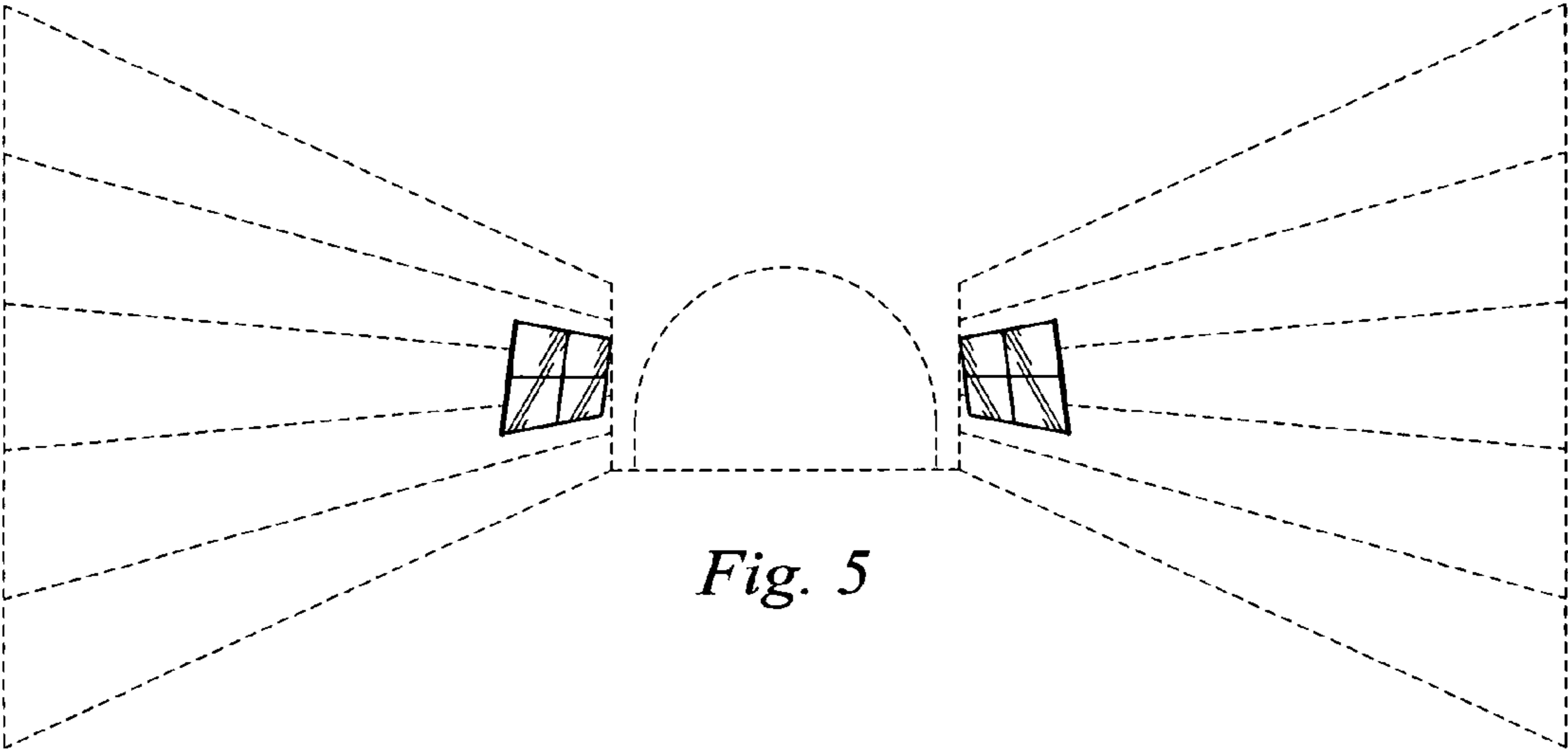


Fig. 5

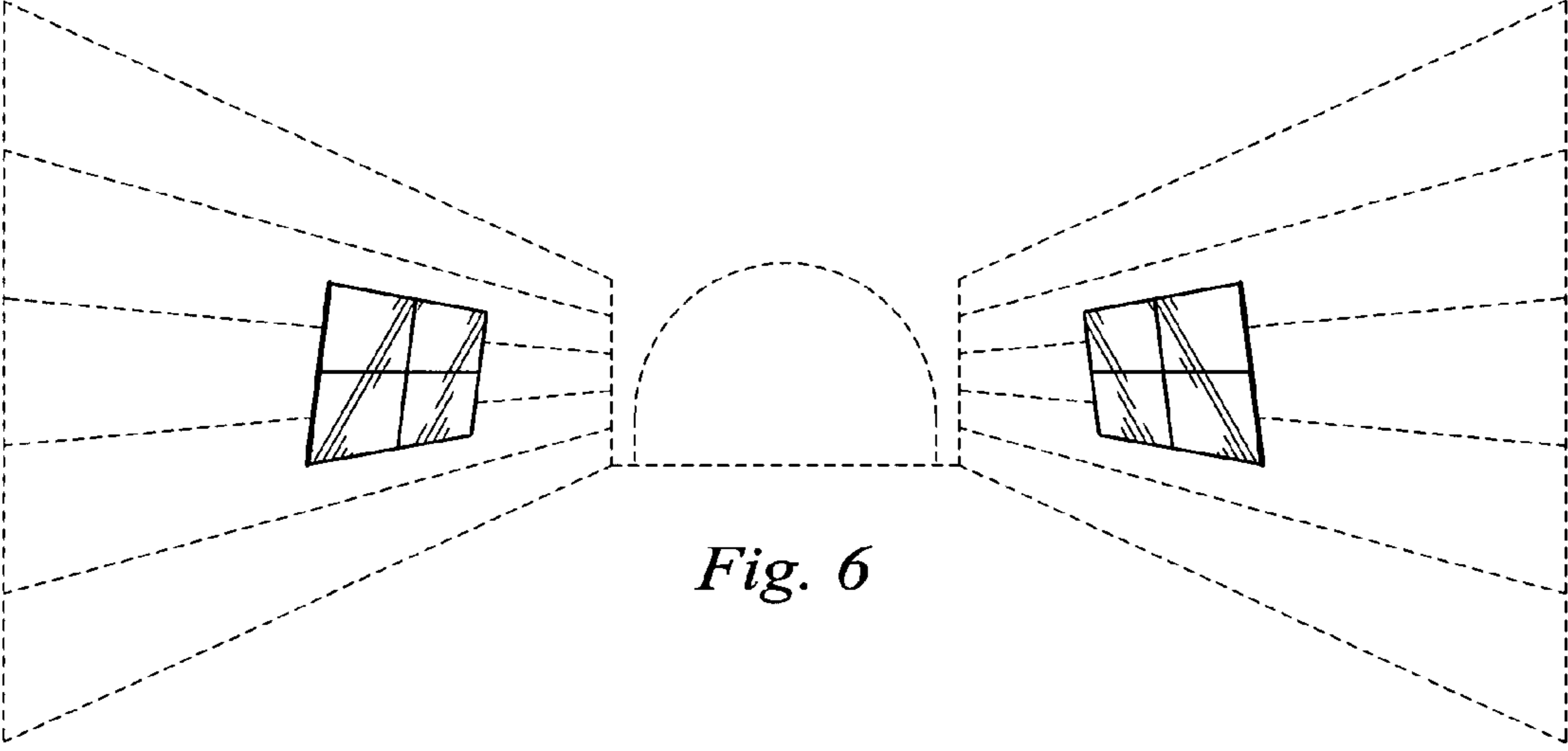


Fig. 6

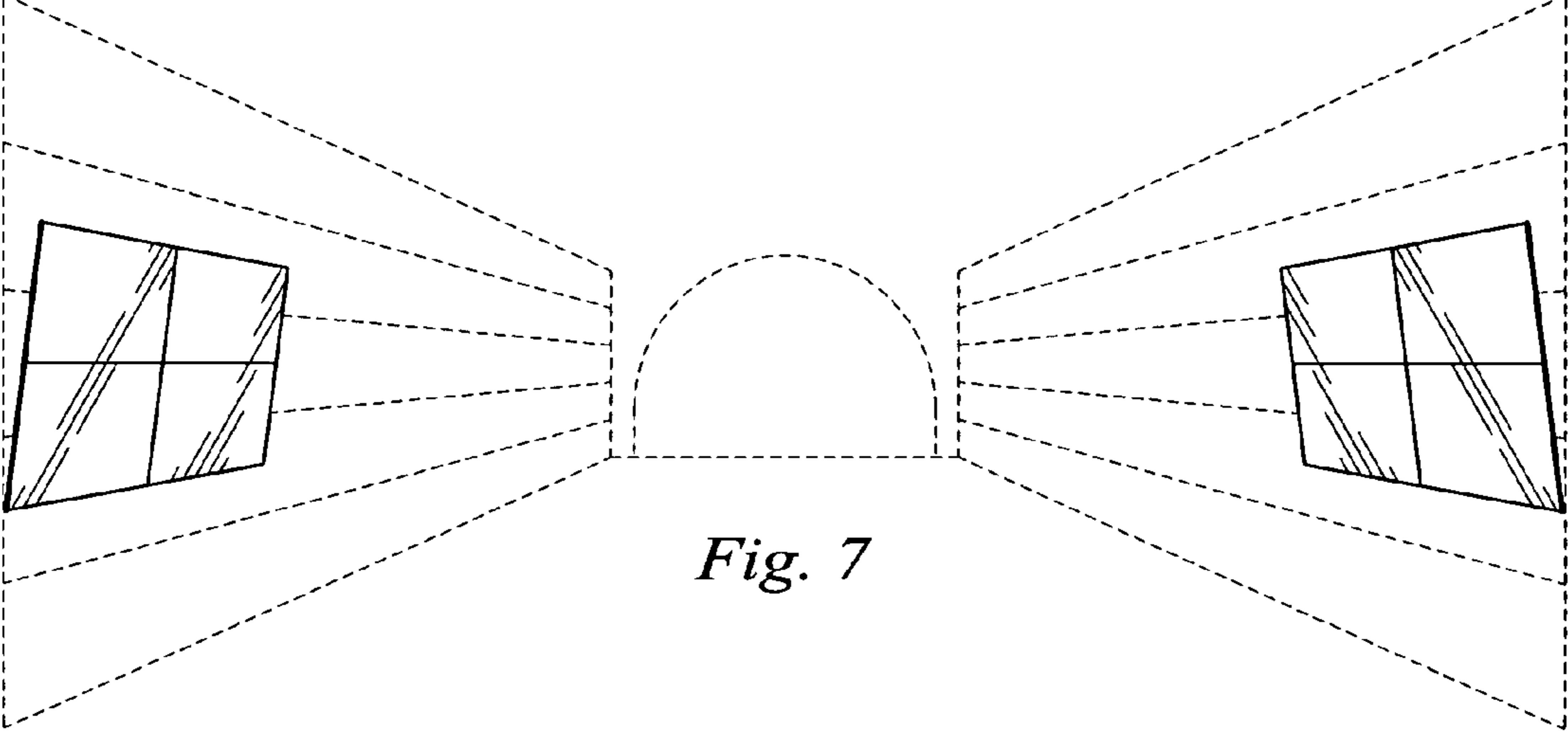


Fig. 7

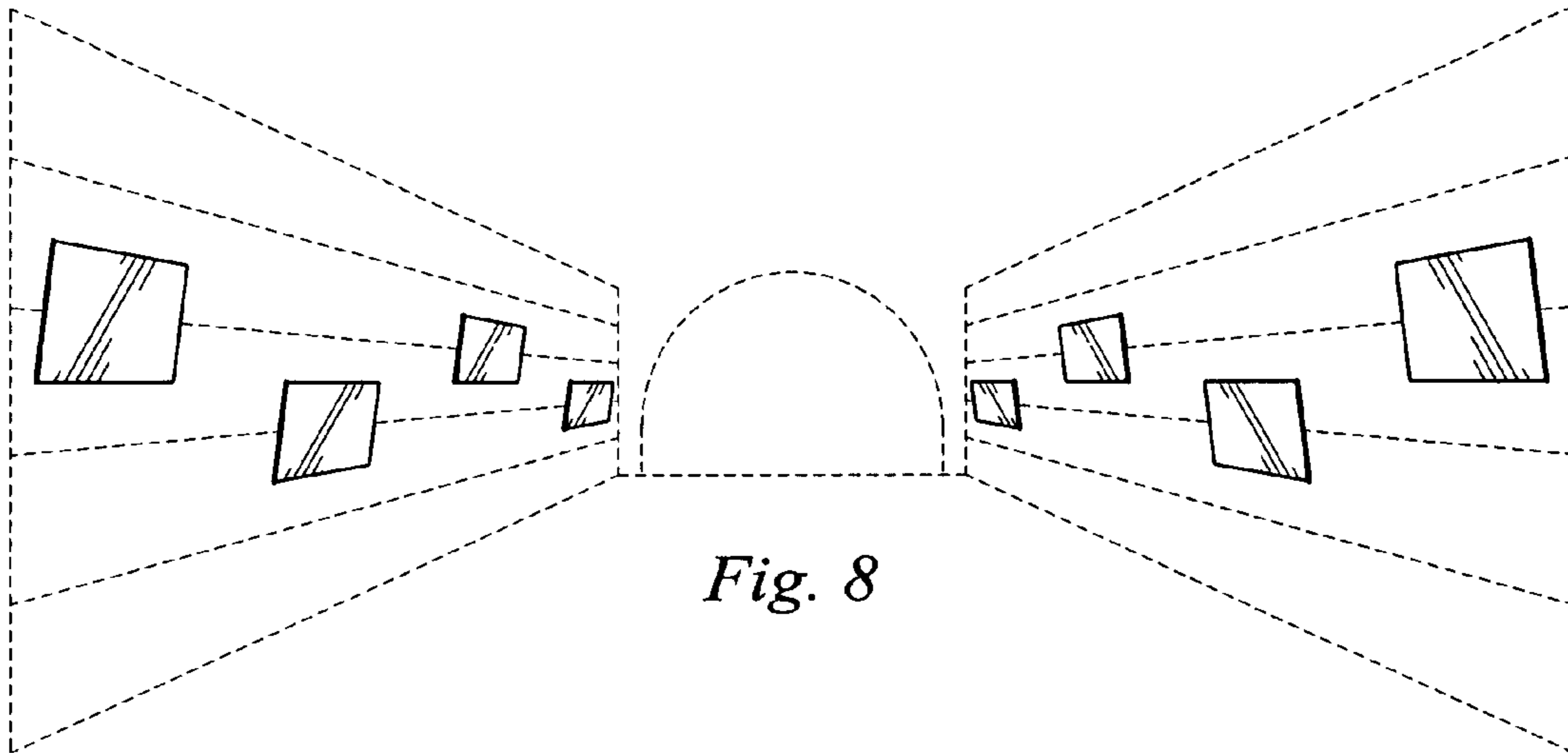


Fig. 8

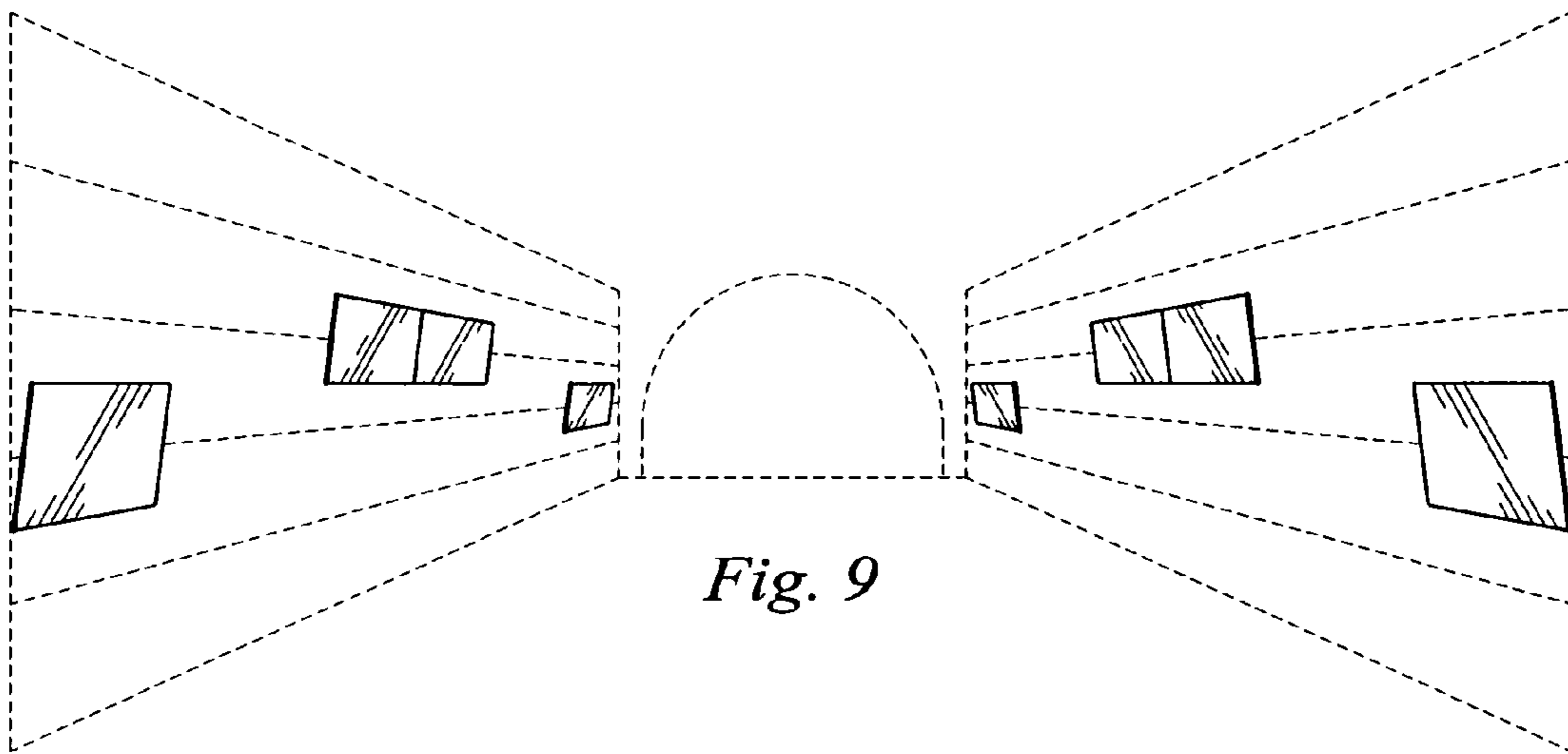


Fig. 9

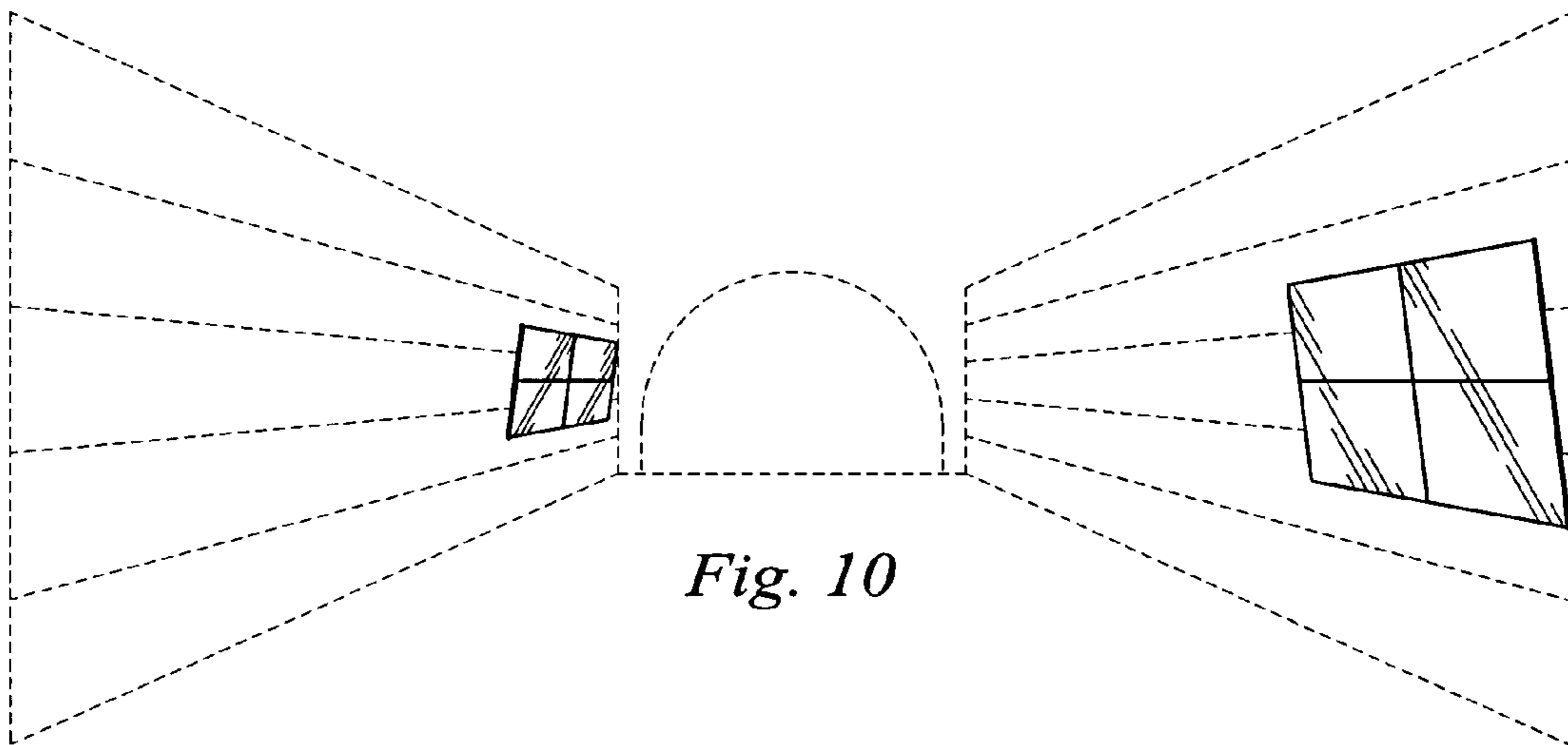


Fig. 10

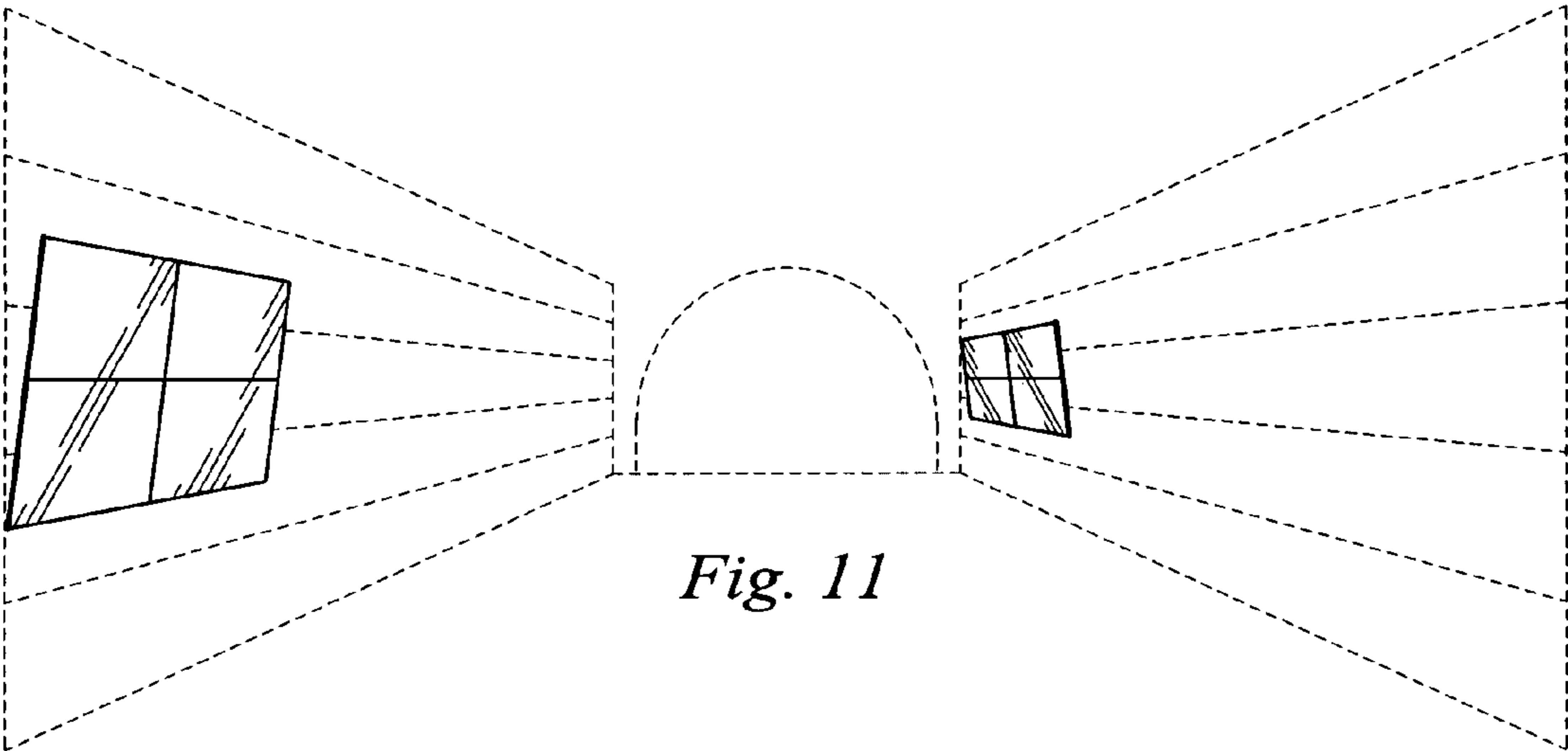


Fig. 11

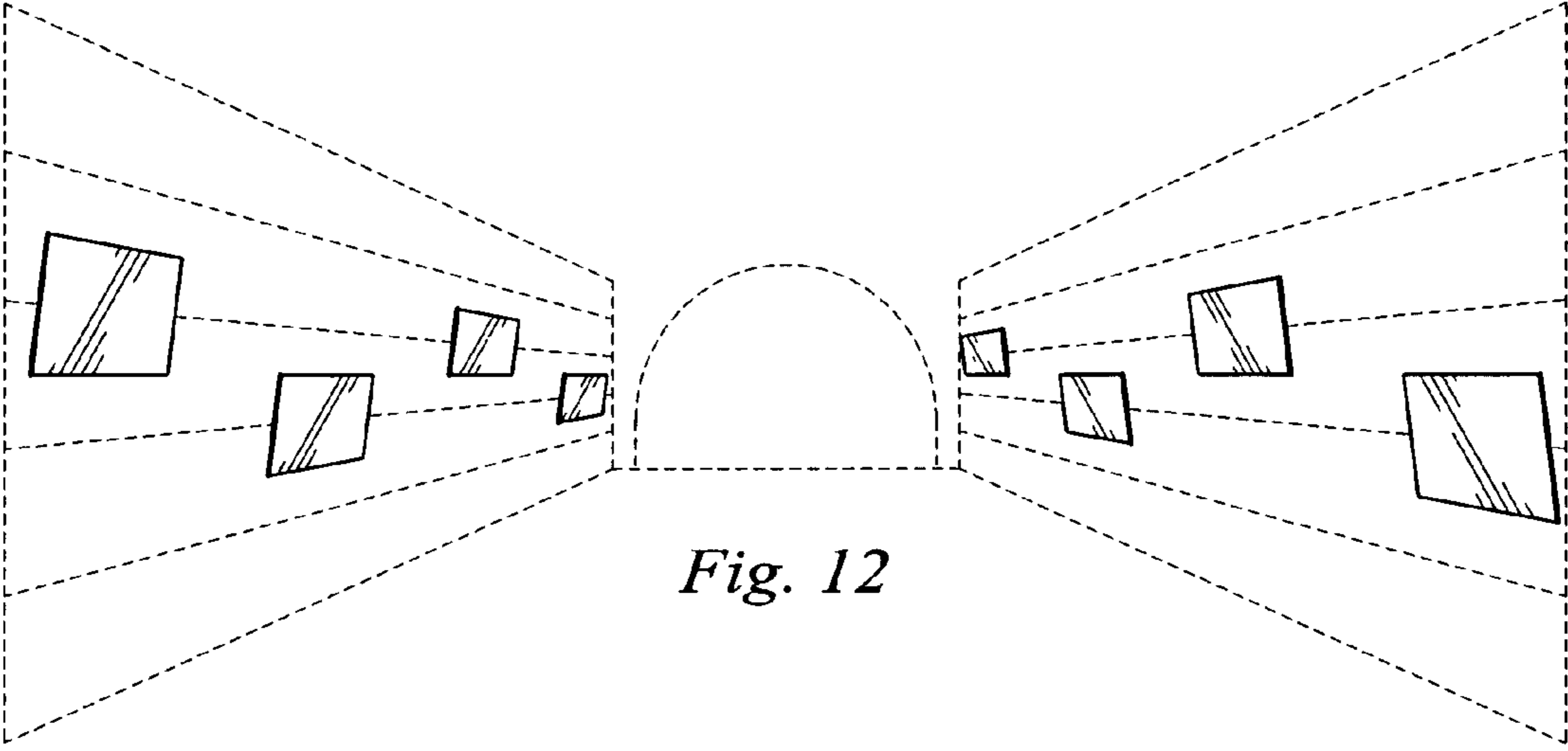


Fig. 12

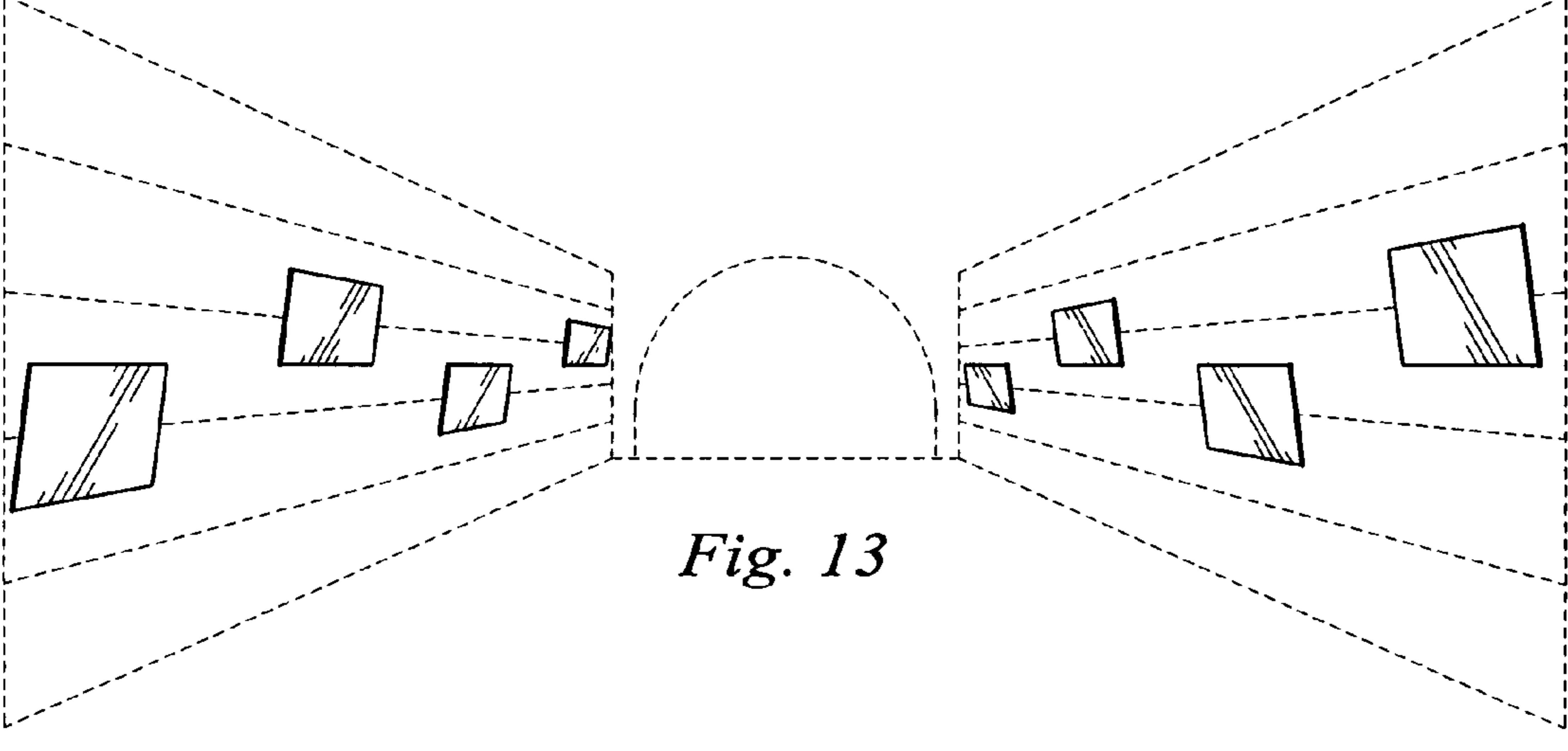


Fig. 13